



US00D483959S

(12) **United States Design Patent**
Howard et al.

(10) **Patent No.:** **US D483,959 S**

(45) **Date of Patent:** **** Dec. 23, 2003**

(54) **PORTABLE SEATING DEVICE**

(75) Inventors: **Graham W. Howard**, deceased, late of San Diego, CA (US), by Kathaleen Howard, legal administrator; **Joseph O. Church**, Englewood, CO (US)

(73) Assignee: **Tito Howard**, Littleton, CO (US)

(**) Term: **14 Years**

(21) Appl. No.: **29/165,018**

(22) Filed: **Aug. 2, 2002**
(Under 37 CFR 1.47)

(51) **LOC (7) Cl.** **06-01**

(52) **U.S. Cl.** **D6/364**

(58) **Field of Search** D6/334, 335, 336,
D6/349, 354, 364, 365, 368, 417; 297/4,
16.1, 118, 175, 195.1, 195.11, 129; 108/119;
135/64, 74; 248/155, 156

(56) **References Cited**

U.S. PATENT DOCUMENTS

474,240	A	*	5/1892	Golding	248/155
1,220,316	A	*	3/1917	Bragg	297/4
3,266,839	A	*	8/1966	Combs	248/155
3,310,340	A	*	3/1967	Brewer et al.	297/16.1
4,317,519	A	*	3/1982	Talley	297/129
4,676,547	A	*	6/1987	Spillman	297/4
4,684,090	A	*	8/1987	Skarland	248/155
5,188,424	A	*	2/1993	Herron	297/195.1
5,411,313	A	*	5/1995	Counihan et al.	297/118
D428,721	S	*	8/2000	Jenkins	D6/364
6,176,545	B1	*	1/2001	Hambleton	297/4
6,378,540	B2	*	4/2002	Iwasa	135/65

OTHER PUBLICATIONS

“AutoFold Website Material” obtained from www.autofold.com Provided by AutoFold, 188 East Street, Fitchburg, MA 01420, USA undated.

“Jiffy Seat Information Pamphlet” provided by Jiffy Seat, 30 Creek Run Bluff, Flagler Beach, FL 32136, USA undated.
“Sport Seat Website Material” obtained from www.sports-eat.com, Provided by Sport Seats International, Inc., #1, 5918—5th Street, SE, Calgary, Alberta, Canada, T2H1L4 undated.

Edwin Watts Golf Shops Website Material obtained from www.edwinwatts.com Provided by Edwin Watts Golf Shops, 20 Hill Ave., Ft. Walton Beach, FL 32548 undated.
“House of Canes Website Material” obtained from www.houseofcanes.com Provided by House of Canes, P.O. Box 574, Wilderville, OR 97543 undated.

“House of Scotland Website Material” obtained from www.ottawa.microworks.com Provided by House of Scotland, 603 Fraser Ave., Ottawa, Ontario, Canada K2A2R6 undated.

“Bischoff’s Medical Mart Website Material” obtained from www.bischoff’s.com Provided by Bischoff’s Medical Mart, 1465 B. Chaplin Ave., Burlingame, CA 94010 undated.

* cited by examiner

Primary Examiner—Doris V. Coles

Assistant Examiner—Mimosa De

(74) *Attorney, Agent, or Firm*—Timothy J. Martin; Michael R. Henson; Rebecca A. Gegick

(57) **CLAIM**

The ornamental design for a portable seating device, as shown and described.

DESCRIPTION

FIG. 1 is a perspective view of a portable seating device showing my new design;

FIG. 2 is a top plan view thereof;

FIG. 3 is a front elevational view thereof;

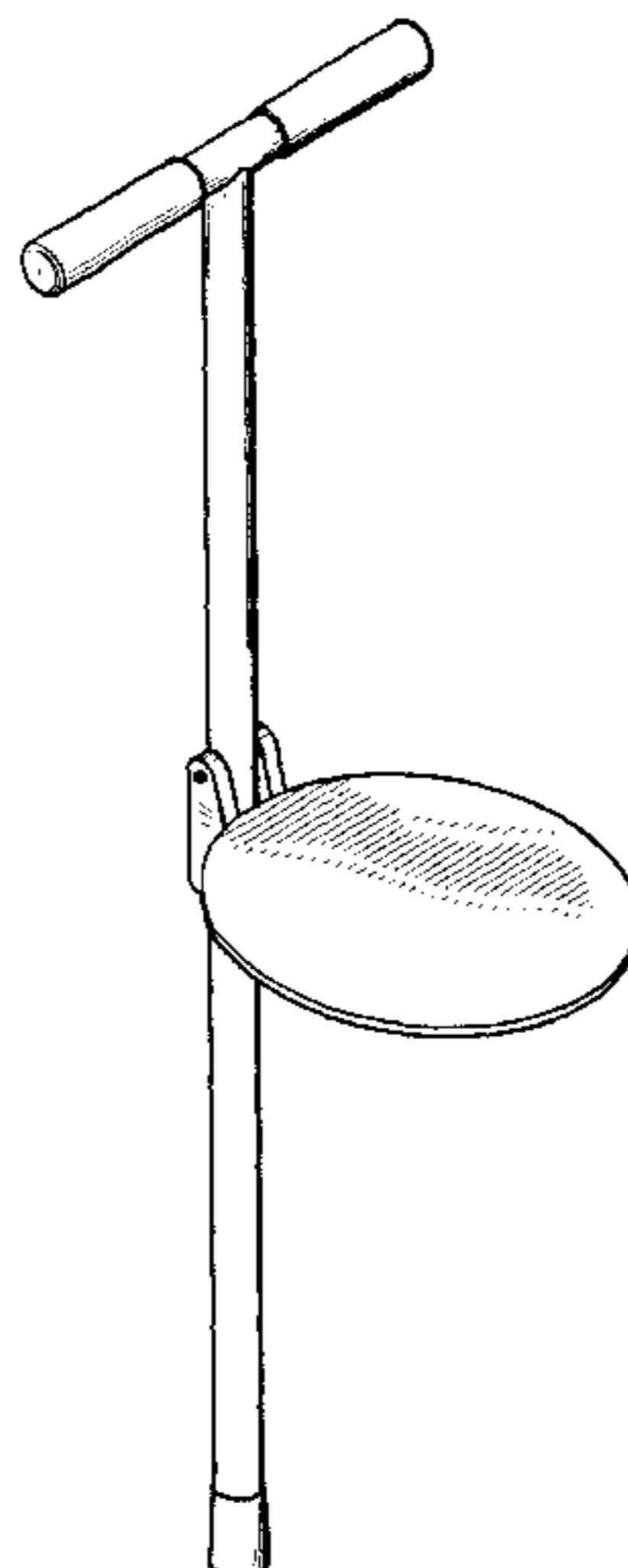
FIG. 4 is a bottom plan view thereof;

FIG. 5 is a right side view in elevation thereof;

FIG. 6 is a rear elevational view thereof; and,

FIG. 7 is a left side view in elevation thereof.

1 Claim, 1 Drawing Sheet



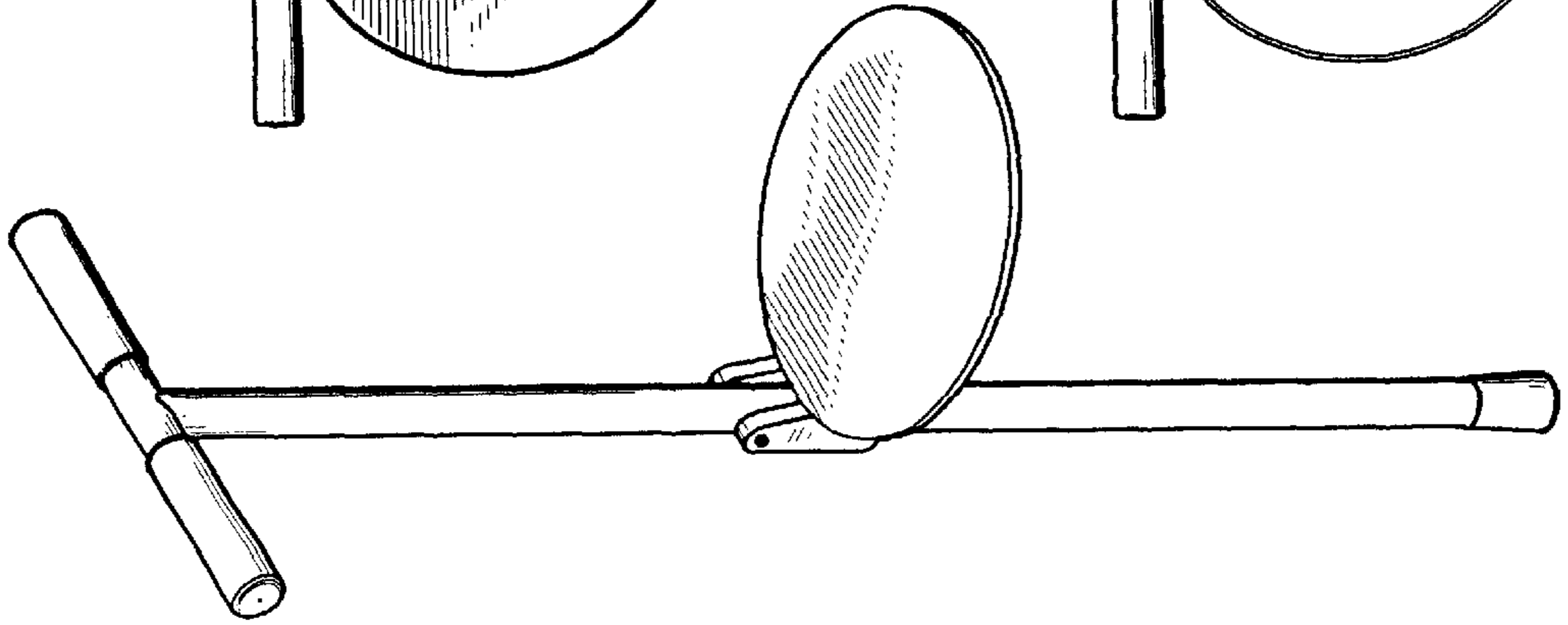


Fig. 1

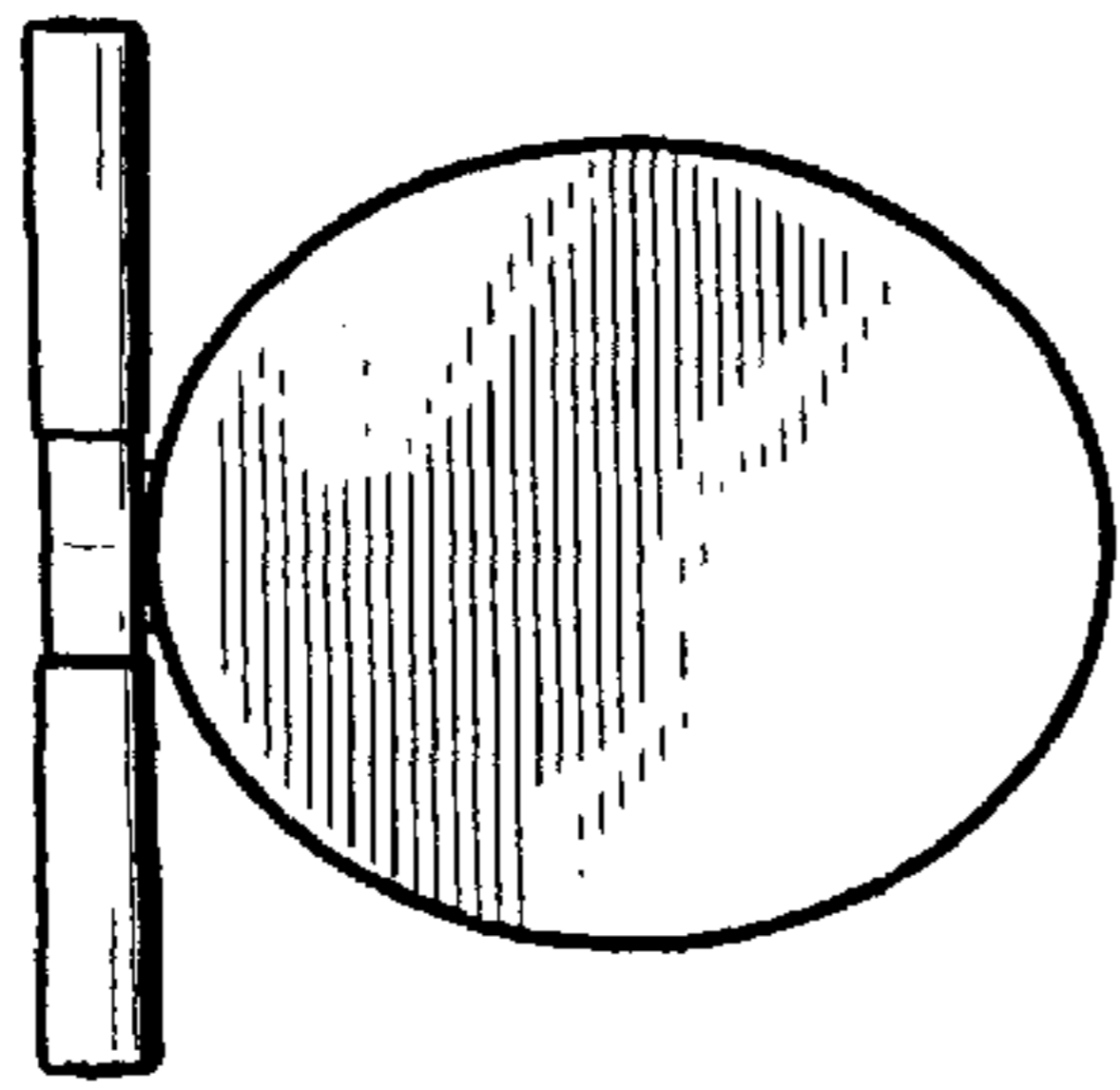


Fig. 2

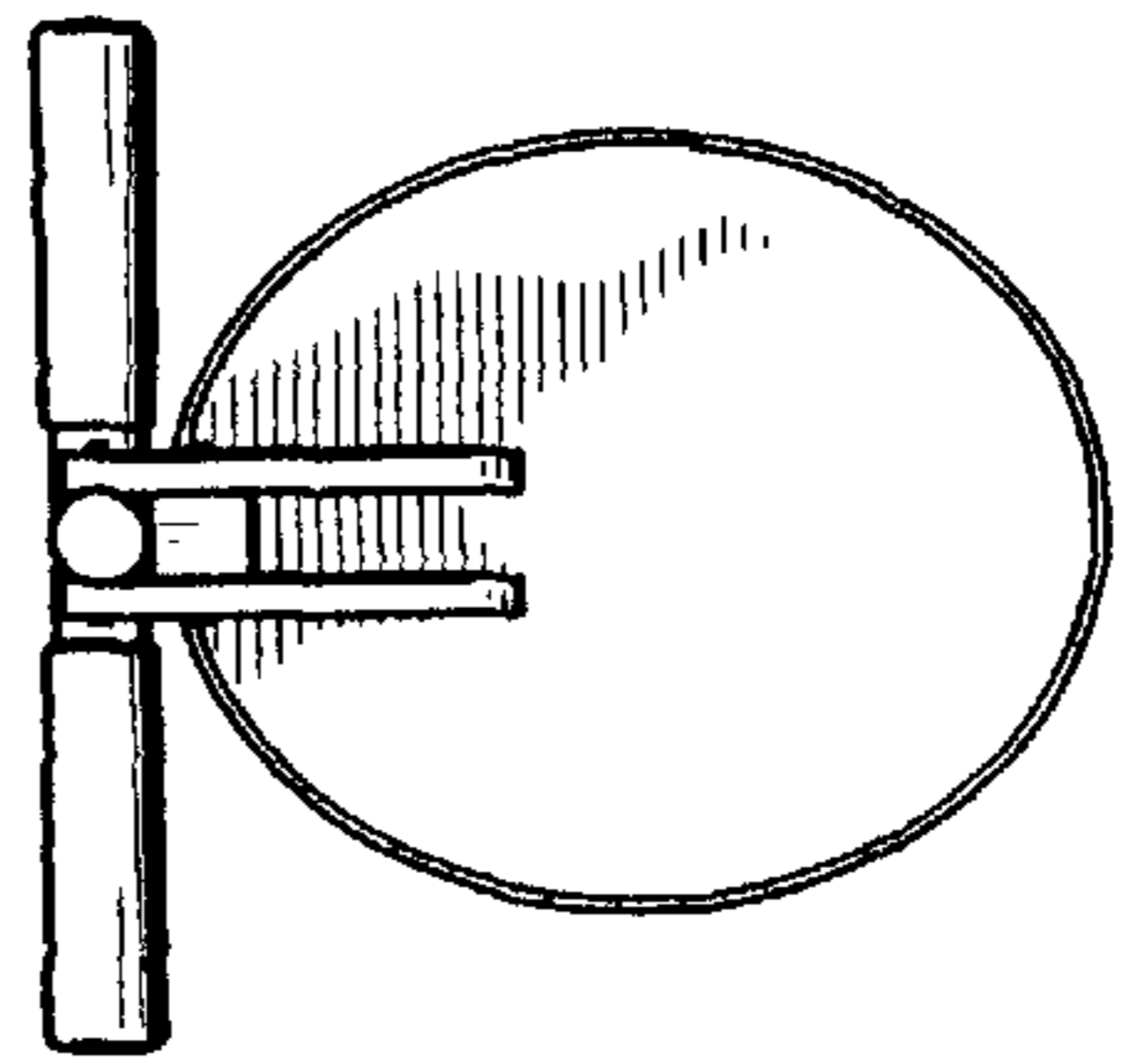


Fig. 4

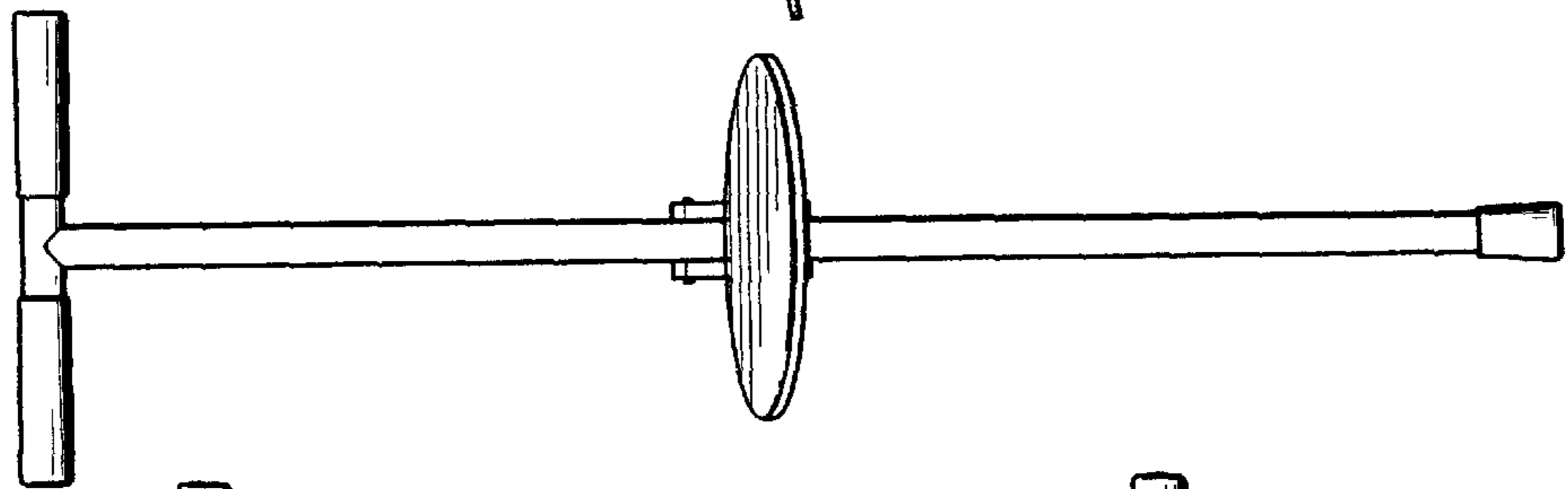


Fig. 3

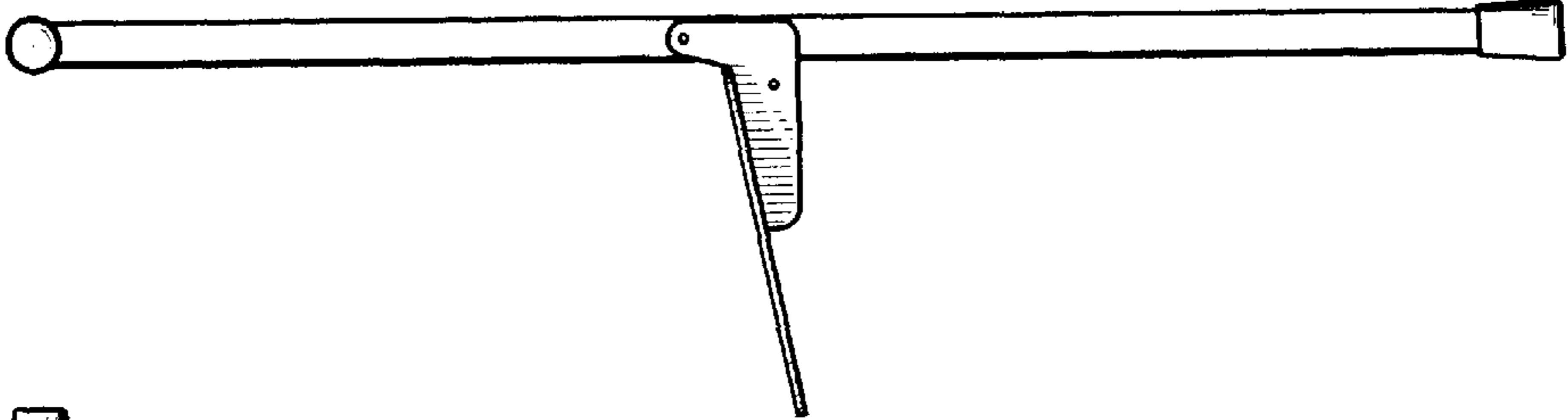


Fig. 5

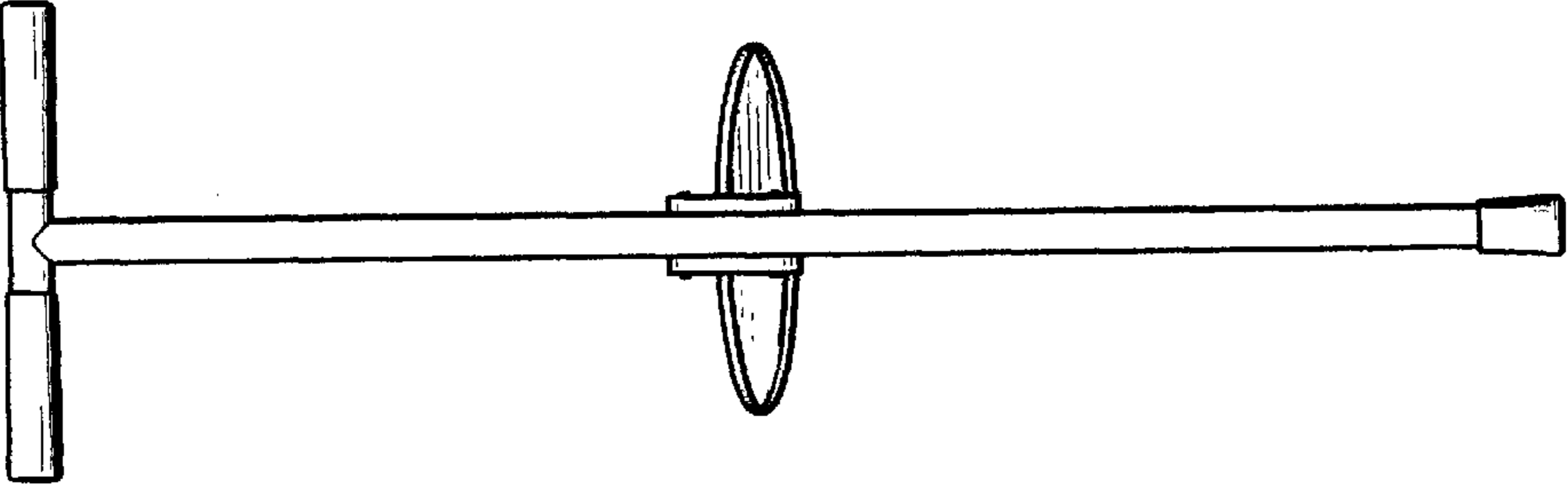


Fig. 6

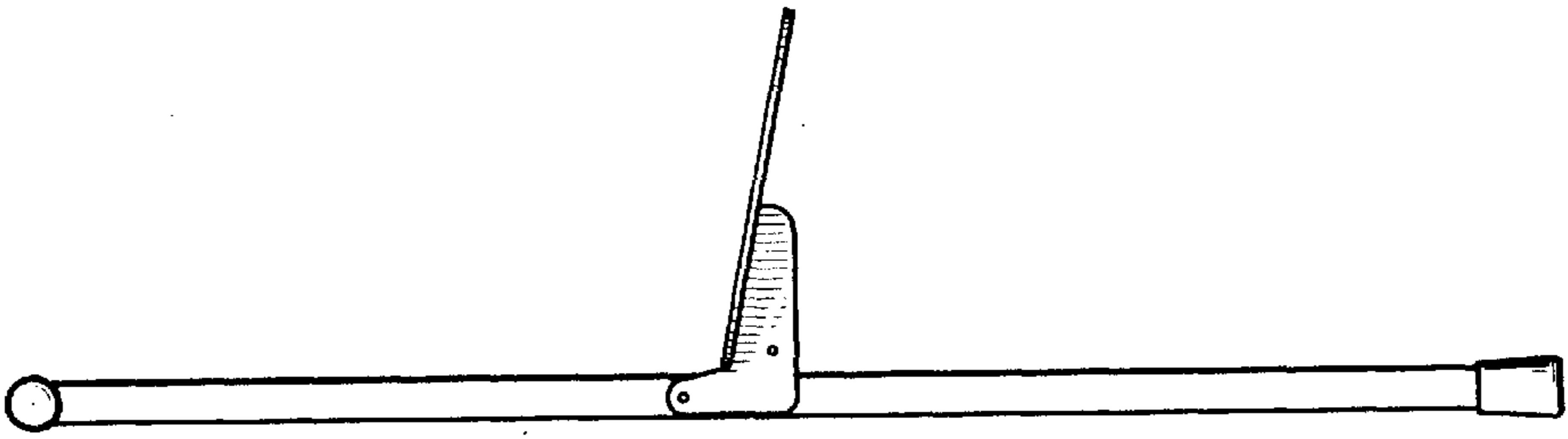


Fig. 7