



US00D483953S

(12) **United States Design Patent**
Ripple

(10) **Patent No.:** **US D483,953 S**

(45) **Date of Patent:** **** Dec. 23, 2003**

(54) **ARCHITECTURAL MESH**

(75) **Inventor:** **Patrick M. Ripple**, Annapolis, MD
(US)

(73) **Assignee:** **Cambridge, Inc.**, Cambridge, MD (US)

(**) **Term:** **14 Years**

(21) **Appl. No.:** **29/160,171**

(22) **Filed:** **May 7, 2002**

(51) **LOC (7) Cl.** **05-99**

(52) **U.S. Cl.** **D5/1**

(58) **Field of Search** D5/1, 2, 3, 7,
D5/8, 11, 19, 20, 23, 25, 30, 32, 41, 45,
46, 47, 49, 50, 52, 53, 54, 55, 56, 57, 58,
59, 60, 61, 62, 63, 64, 99; D2/749, 994;
D6/582, 583, 595, 596, 598, 603, 604,
605, 608, 613, 616, 617, 622; D24/124,
125; D25/142, 152; 428/17, 18, 151, 154,
156, 171, 187, 198, 199, 540, 542.2, 542.6,
904.4, 919; 5/413 AM, 709; D7/396.4,
396.5; 162/134, 231, 140; 156/209, 148

(56) **References Cited**

U.S. PATENT DOCUMENTS

538,040	A	*	4/1895	Hilton	D5/1
889,312	A	*	6/1908	Kahn	D5/1
D61,098	S	*	6/1922	Lown	D5/1
1,466,680	A	*	9/1923	Timm	D5/1
D89,866	S	*	5/1933	Beam	D5/1
2,313,533	A	*	3/1943	Gersman	D5/1
D168,946	S	*	3/1953	Liskey, Jr.	D5/1
D186,407	S	*	10/1959	Fuller	D5/1
D186,467	S	*	10/1959	Cooper	D5/1
D189,156	S	*	11/1960	Hallock	D5/1
D189,401	S	*	12/1960	Alvord	D5/1
D191,845	S	*	11/1961	Ries	D5/1
D192,652	S	*	4/1962	Seery	D5/1
D193,684	S	*	9/1962	Ries	D5/1
4,234,907	A		11/1980	Daniel		
4,573,432	A	*	3/1986	Boxhorn et al.	D5/54
4,752,114	A		6/1988	French		
4,912,889	A		4/1990	Palumbo		
D318,148	S	*	7/1991	Peltier	D5/54

5,066,085	A		11/1991	Gimbutas et al.		
5,183,323	A		2/1993	Daniel		
D364,277	S	*	11/1995	Worrall	D5/1
5,701,236	A		12/1997	Viviano		
5,887,856	A		3/1999	Everly, II		

OTHER PUBLICATIONS

“Group I—Cambridge Architectural Mesh” leaflet, ©2000 Cambridge Wire Cloth Company, Cambridge, MD.
“Group II—Cambridge Architectural Mesh” leaflet, ©2000 Cambridge Wire Cloth Company, Cambridge, MD.
“Group III—Cambridge Architectural Mesh” leaflet, ©2000 Cambridge Wire Cloth Company, Cambridge, MD.
“Group IV—Cambridge Architectural Mesh” leaflet, ©2000 Cambridge Wire Cloth Company, Cambridge, MD.
“Group V—Cambridge Architectural Mesh” leaflet, ©2000 Cambridge Wire Cloth Company, Cambridge, MD.

* cited by examiner

Primary Examiner—Doris V. Coles

Assistant Examiner—T. Chase Nelson

(74) *Attorney, Agent, or Firm*—Burns, Doane, Swecker & Mathis, L.L.P.

(57) **CLAIM**

The ornamental design for an architectural mesh, as shown and described.

DESCRIPTION

FIG. 1 is a top perspective view of an architectural mesh showing my new design.

FIG. 2 is a top plan view thereof.

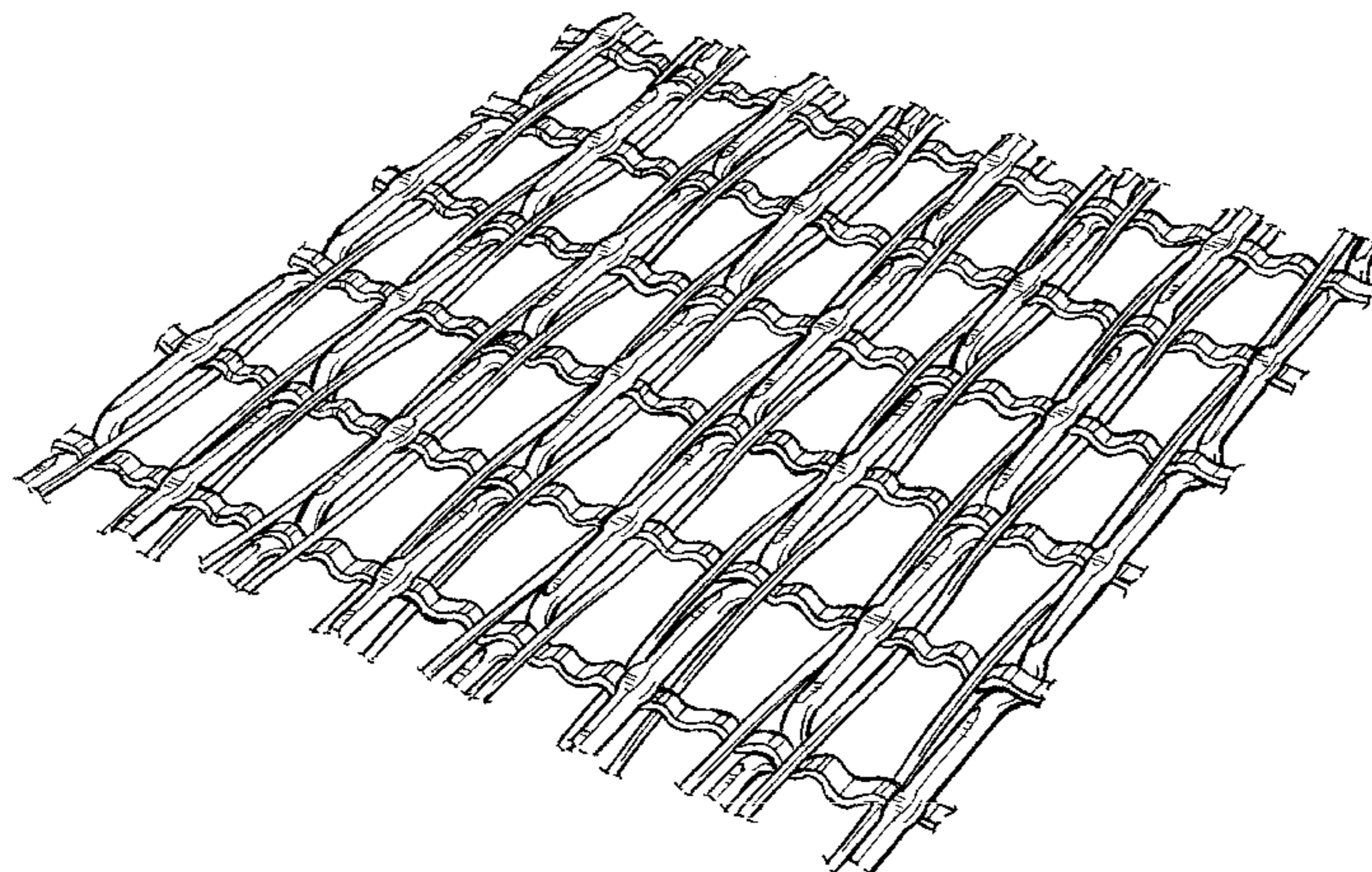
FIG. 3 is a bottom plan view thereof.

FIG. 4 is a side elevational view thereof, the other side view being a mirror image thereof; and,

FIG. 5 is a front elevational view thereof, the rear view being a mirror image thereof.

The broken lines about the perimeter edges of the architectural mesh, as shown in FIGS. 1, 2 and 3, and at the wire edges, as shown in FIGS. 4 and 5, indicate that the architectural mesh has an indeterminate length and width and repeats uniformly throughout its length and width. The broken lines form no part of the claimed design.

1 Claim, 4 Drawing Sheets



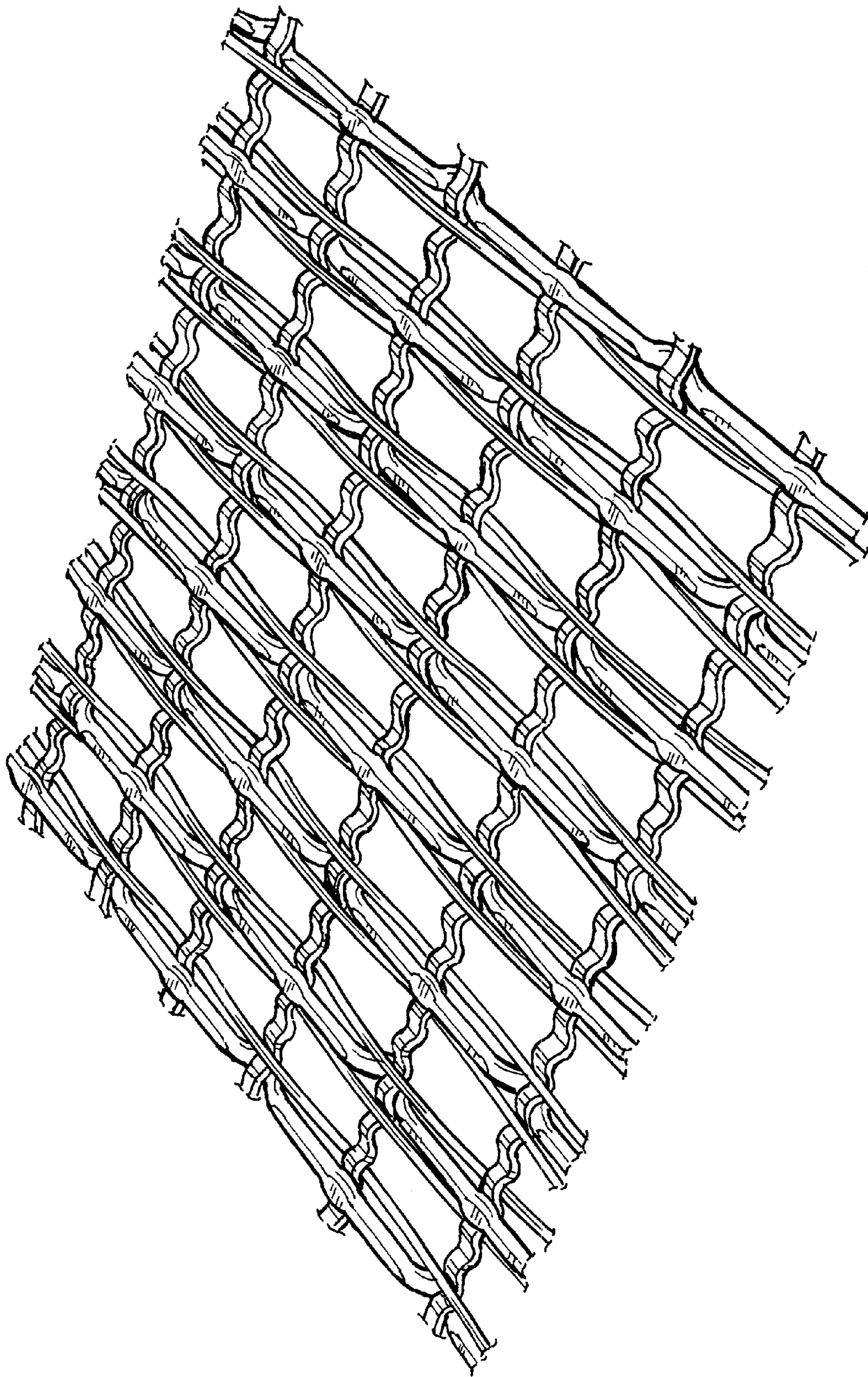


FIG. 1

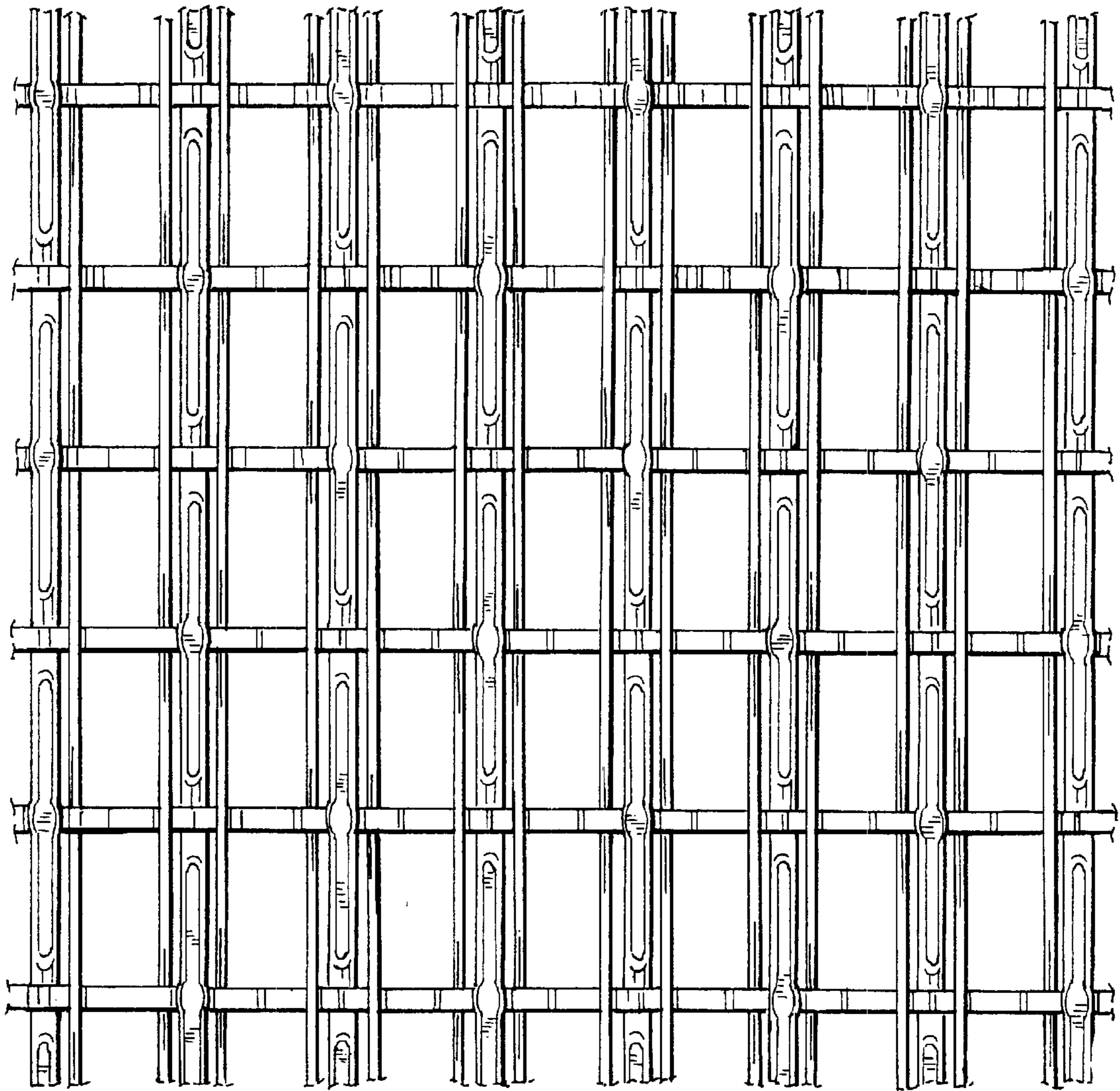


FIG. 2

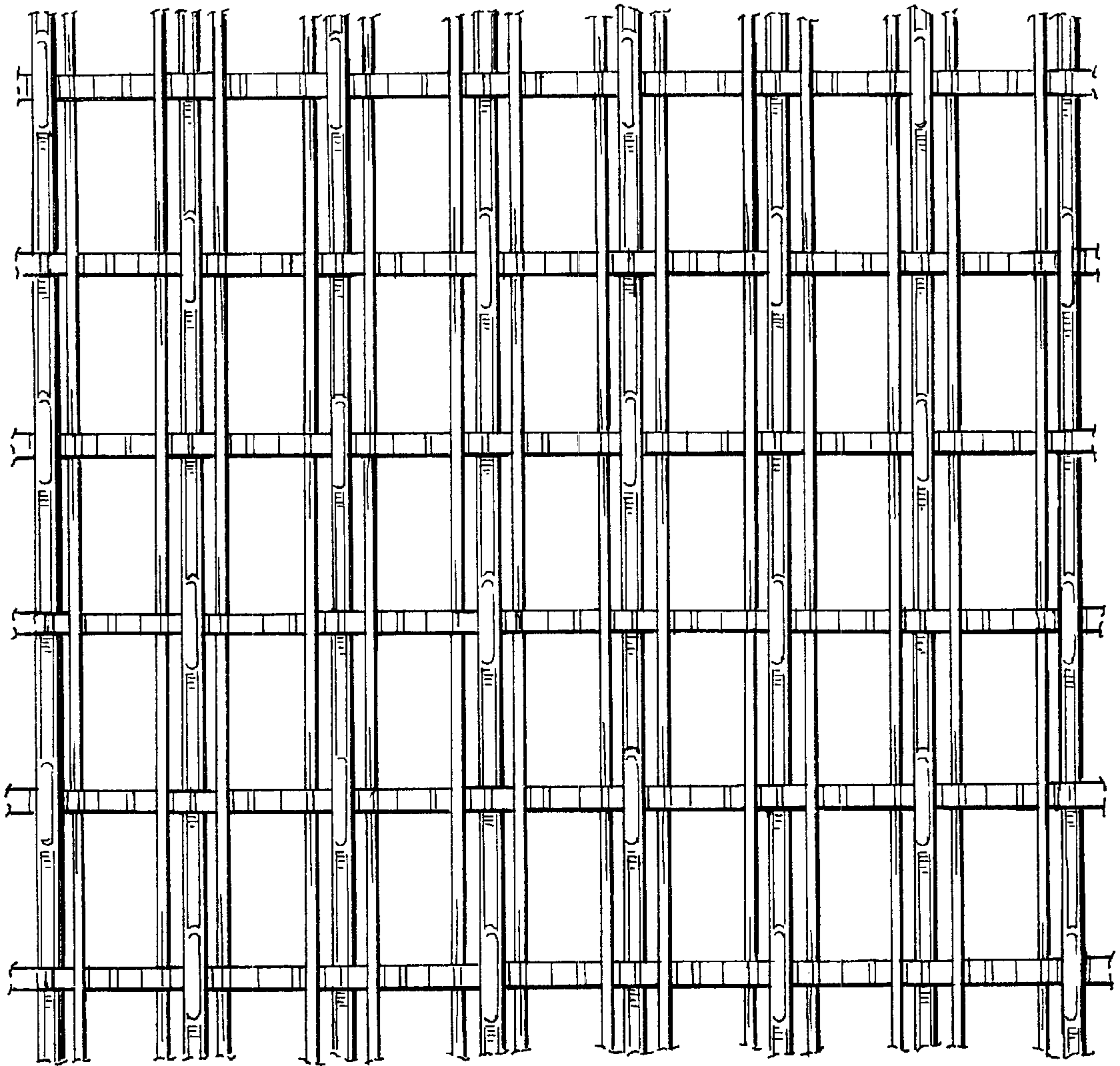


FIG. 3



FIG. 4



FIG. 5