



US00D483952S

(12) **United States Design Patent**
Thompson et al.

(10) **Patent No.: US D483,952 S**

(45) **Date of Patent: ** Dec. 23, 2003**

(54) **LINT-REMOVING BRUSH**

(75) Inventors: **Craig D. Thompson**, Inver Grove Heights, MN (US); **Jingxi Yiu**, Plymouth, MN (US)

(73) Assignee: **3M Innovative Properties Company**, St. Paul, MN (US)

(**) Term: **14 Years**

(21) Appl. No.: **29/162,298**

(22) Filed: **Jun. 13, 2002**

(51) **LOC (7) Cl. 04-02**

(52) **U.S. Cl. D4/137; D4/138**

(58) **Field of Search D4/120, 137; D32/40, D32/51-52; 15/1.51, 1.52, 104.001, 118, 209.1, 210.1, 211, 244.1; 451/557**

(56) **References Cited**

U.S. PATENT DOCUMENTS

D4,390 S	*	11/1870	Atwater	D4/137 X
RE25,435 E		8/1963	Norman		
3,105,256 A		10/1963	Giesler		
RE25,675 E		11/1964	Du Bonnett		
3,330,077 A		7/1967	Kanbar et al.		
3,471,977 A		10/1969	Roth		
3,648,318 A		3/1972	Tsuruzawa		
3,765,046 A		10/1973	Tsuruzawa		
3,906,578 A		9/1975	Huber		
4,103,382 A		8/1978	Gitt		
4,422,201 A		12/1983	McKay		
4,639,953 A		2/1987	McElmurry et al.		
4,639,965 A		2/1987	Suzuki		
4,642,835 A		2/1987	Schmitz		
4,905,337 A		3/1990	McKay		
D309,376 S		7/1990	Kiesz		
5,027,465 A		7/1991	McKay		
5,148,571 A		9/1992	Brazis et al.		
5,388,300 A		2/1995	Hickey		
5,763,038 A		6/1998	Wood		

5,940,921 A	8/1999	Wood et al.
6,055,695 A	5/2000	McKay, Jr.
6,127,014 A	10/2000	McKay, Jr.

OTHER PUBLICATIONS

Six (6) photographs of a Helmac™ two-sided, rectangular-shaped head lint brush sold prior to Jun. 13, 2001 (including perspective, top, bottom, side, front, and back views).

Six (6) photographs of a Helmac™ single-sided, rectangular-shaped head lint brush sold prior to Jun. 13, 2001 (including perspective, top, bottom, front, and back views).

Six (6) photographs of a Helmac™ two-sided, oval-shaped head lint brush sold prior to Jun. 13, 2001 (including perspective, top, bottom, side, front, and back views).

Jos. A. Bank website advertisement of Three-In-One Brush, (1 page), 2002.

* cited by examiner

Primary Examiner—Alan P. Douglas

Assistant Examiner—Lavone D. Tabor

(57) **CLAIM**

The ornamental design for a lint-removing brush, as shown and described.

DESCRIPTION

FIG. 1 is an isometric view of a lint-removing brush;

FIG. 2 is a top plan view thereof;

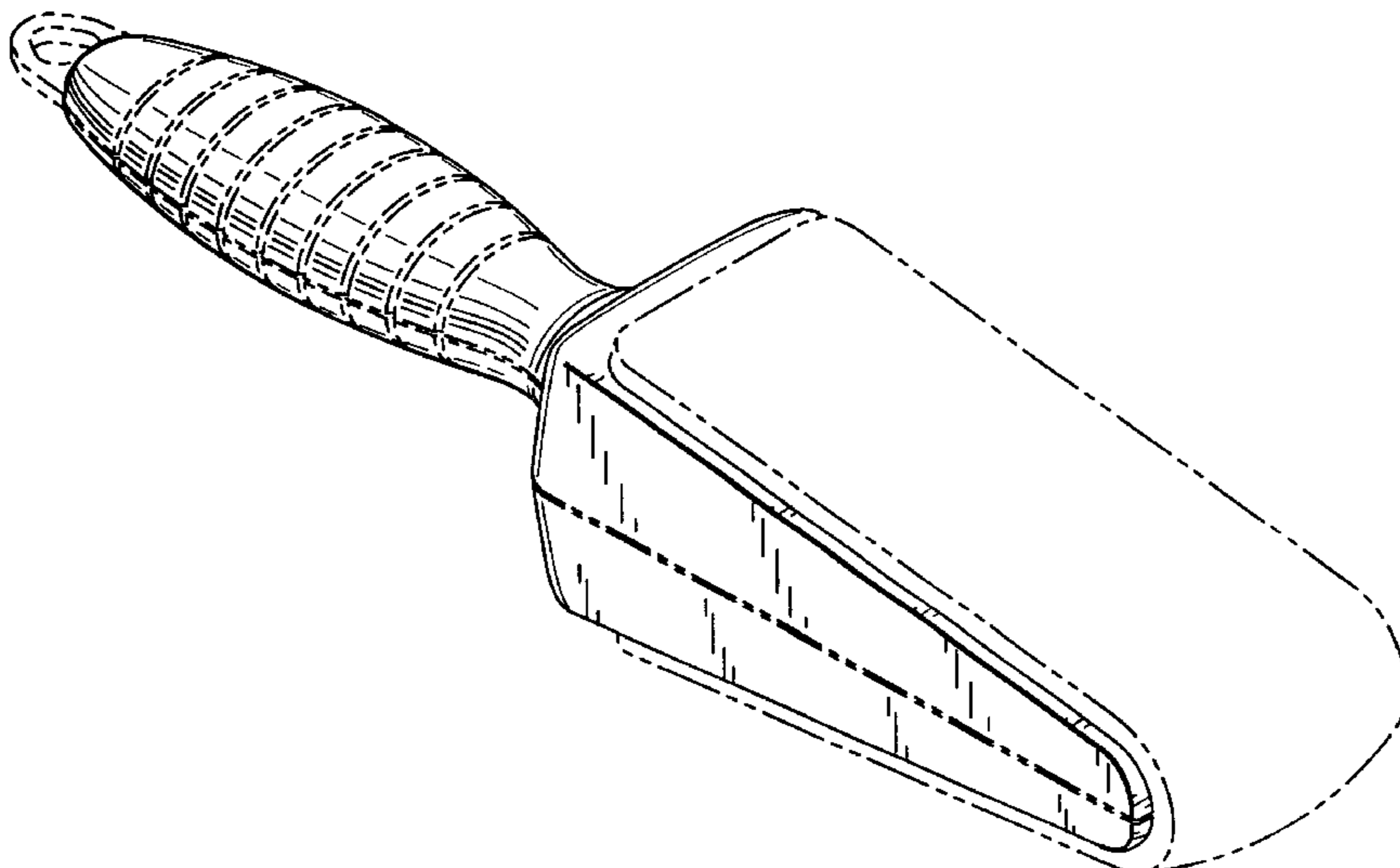
FIG. 3 is a right side view thereof;

FIG. 4 is a rear view thereof; and,

FIG. 5 is a front view thereof.

The left side view of the lint-removing brush is a mirror image of the right side view. The bottom plan view of the lint-removing brush is a mirror image of the top plan view. The broken lines immediately adjacent the surface shading represent the bounds of the claimed design and all of the other broken lines are for illustrative purposes only. None of the broken lines form part of the claimed design.

1 Claim, 2 Drawing Sheets



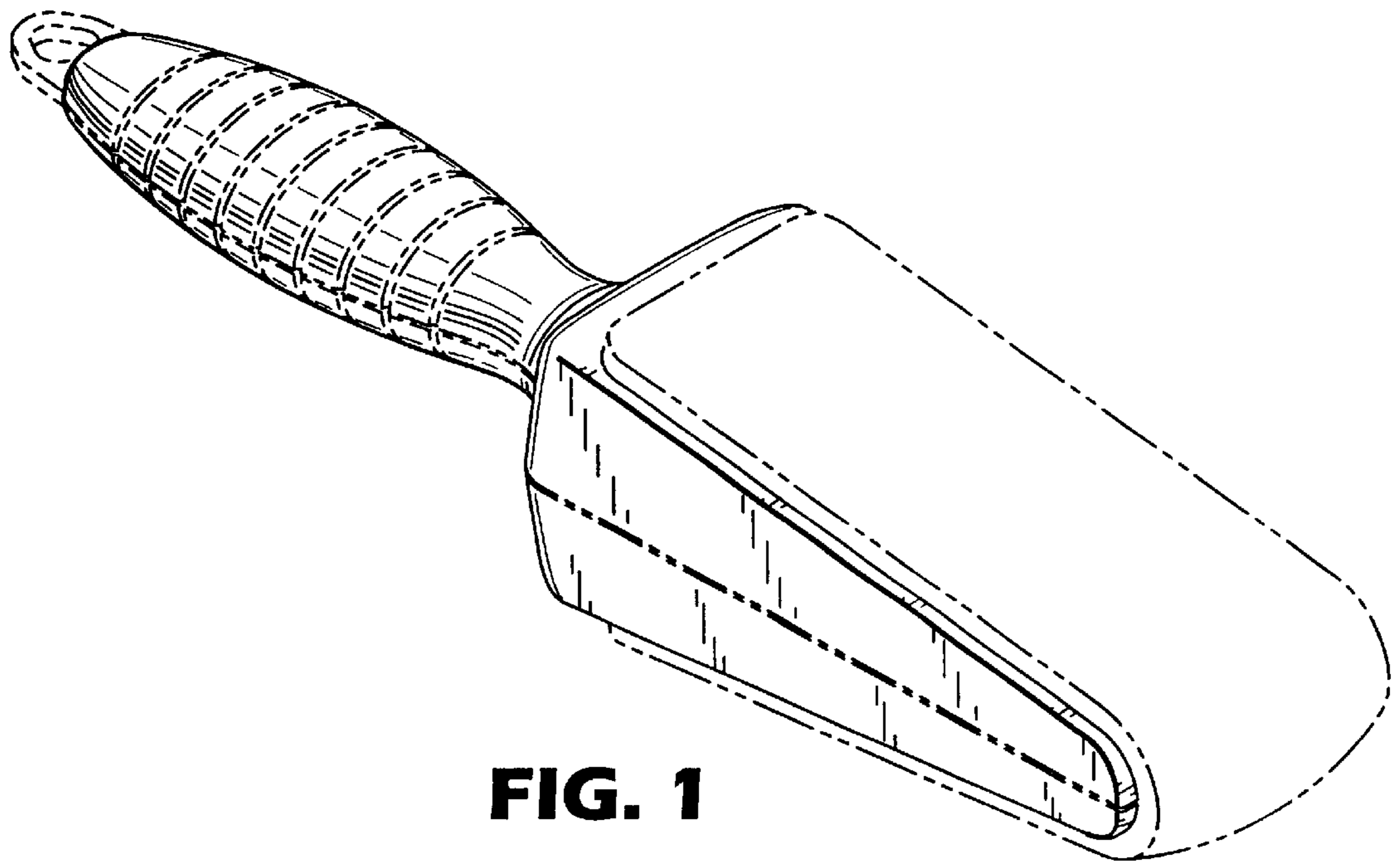


FIG. 1

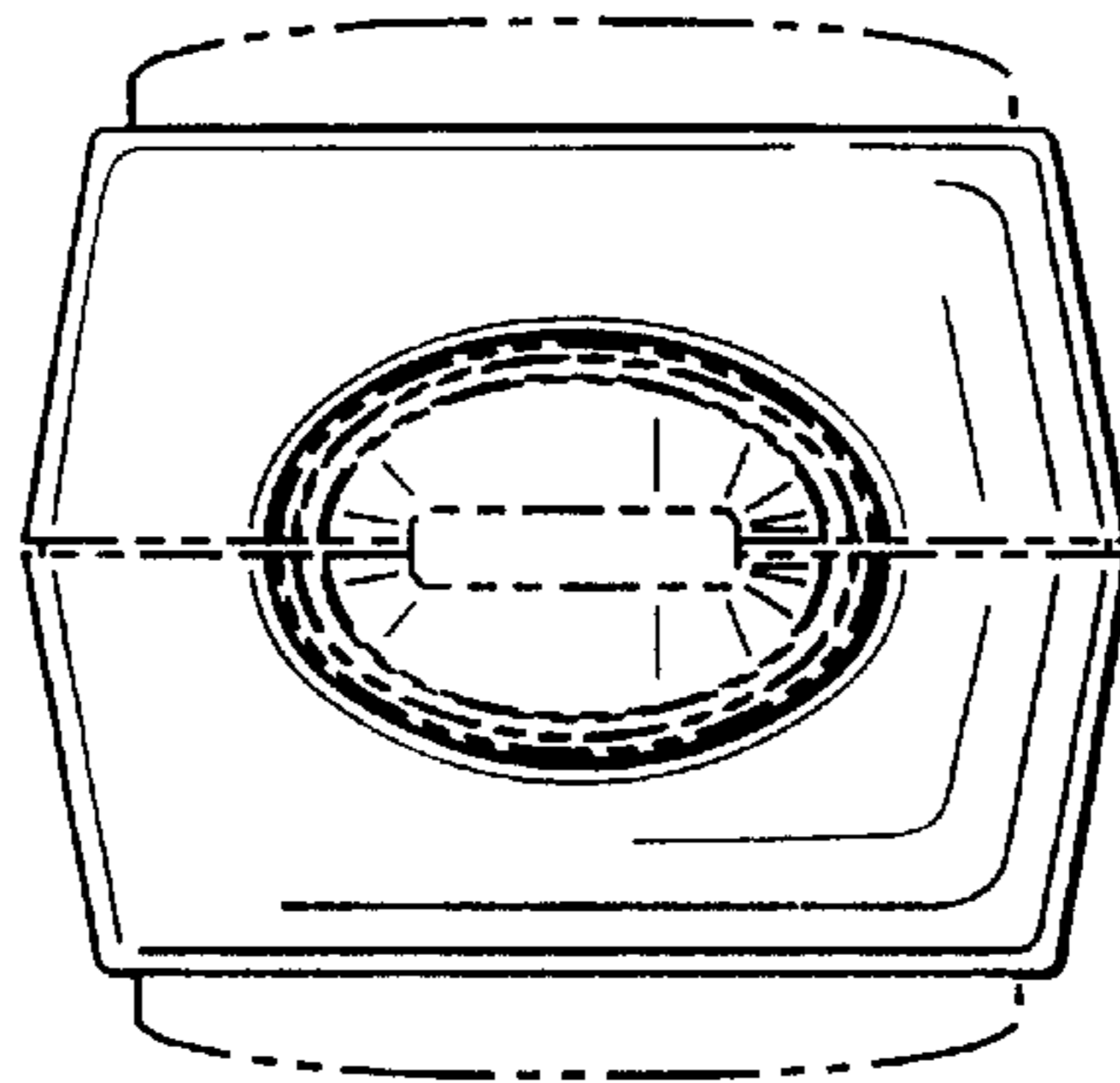


FIG. 4

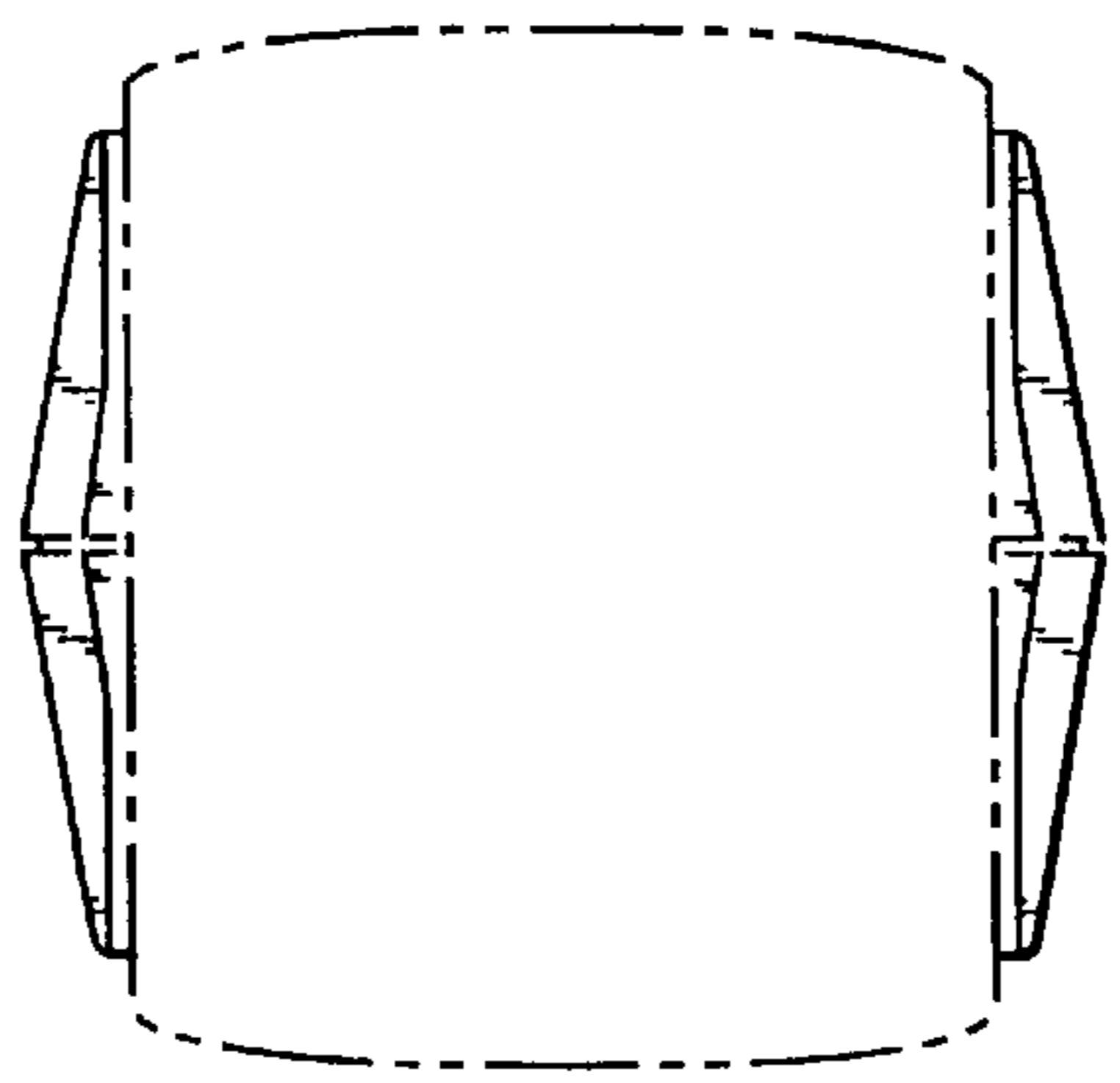


FIG. 5

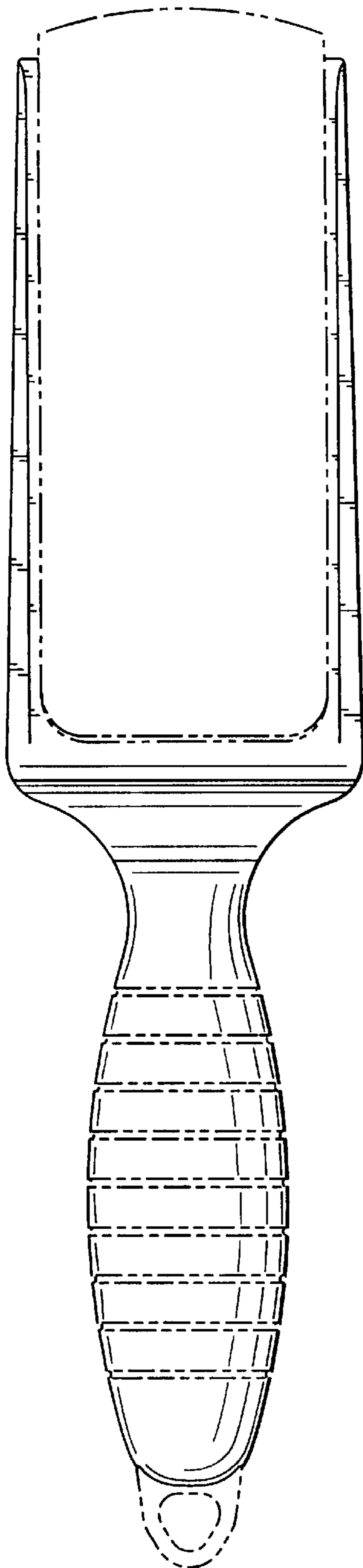


FIG. 2

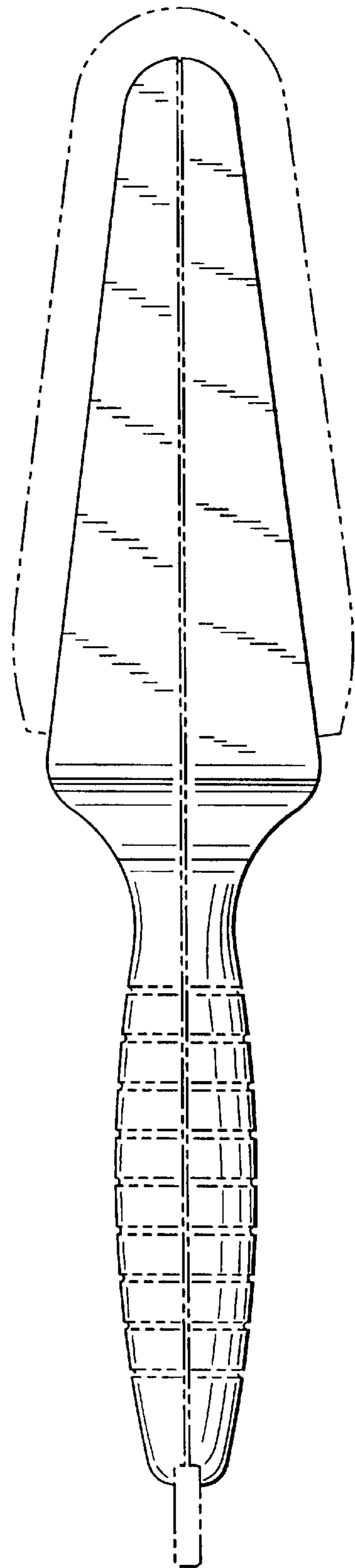


FIG. 3