



US00D483945S

(12) **United States Design Patent**
Tanji

(10) **Patent No.:** **US D483,945 S**

(45) **Date of Patent:** **** Dec. 23, 2003**

(54) **CONTAINER**

(75) Inventor: **Hiroyuki Tanji**, Miyagi-Ken (JP)

(73) Assignee: **Iris Ohyama Inc.**, Miyagi-Ken (JP)

(**) Term: **14 Years**

(21) Appl. No.: **29/162,172**

(22) Filed: **Jun. 12, 2002**

(30) **Foreign Application Priority Data**

Jan. 31, 2002 (JP) 2002-002092

(51) **LOC (7) Cl.** **03-01**

(52) **U.S. Cl.** **D3/302; D3/273**

(58) **Field of Search** D3/273, 274, 272,
D3/294, 302; D9/423, 424, 425; 206/505,
508, 509, 511; 220/335, 306, 355, 354

(56) **References Cited**

U.S. PATENT DOCUMENTS

4,819,795 A	*	4/1989	Swaney	206/278
5,065,885 A	*	11/1991	Scaroni	220/326
D378,552 S	*	3/1997	Lippisch	D3/273
D381,512 S	*	7/1997	Green	D3/294
D394,550 S	*	5/1998	Tanji	D3/273
D395,952 S	*	7/1998	Buczynski et al.	D3/294
D408,631 S	*	4/1999	Dickinson et al.	D3/302
D421,901 S	*	3/2000	Hill	D9/423
D439,406 S	*	3/2001	Zimmerman	D3/273

* cited by examiner

Primary Examiner—Philip S. Hyder

(74) *Attorney, Agent, or Firm*—Sughrue Mion, PLLC

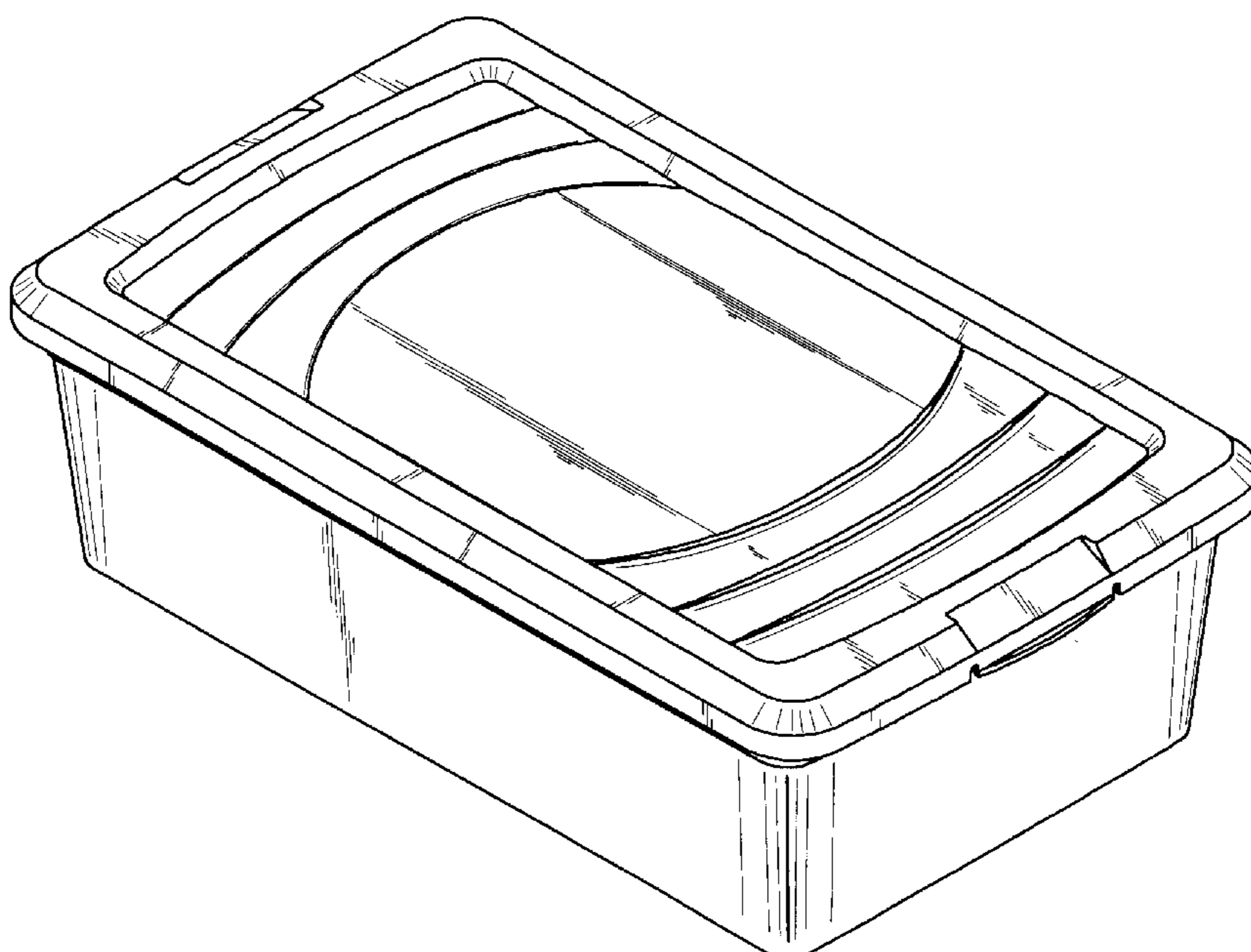
(57) **CLAIM**

The ornamental design for a container, as shown and described.

DESCRIPTION

FIG. 1 is a front elevational view of a container showing my new design, wherein the rear view is identical;
 FIG. 2 is a right side elevational view thereof, wherein the left side view is identical;
 FIG. 3 is a plan view of the container;
 FIG. 4 is a bottom view of the container;
 FIG. 5 is a reference plan view of the container;
 FIG. 6 is a cross section view taken along line 6—6 of FIG. 1;
 FIG. 7 is a cross section view taken along line 7—7 of FIG. 5;
 FIG. 8 is a front view of the cover portion of the container;
 FIG. 9 is a bottom view of the cover portion of the container;
 FIG. 10 is a right side view of the cover portion of the container, wherein the left side view of the cover portion is identical;
 FIG. 11 is a front view of the box portion of the container, wherein the rear view of the box portion is identical;
 FIG. 12 is a right-side view of the box portion of the container, wherein the left-side view of the box portion is identical;
 FIG. 13 is a plan view of the box portion of the container;
 FIG. 14 is a bottom view of the box portion of the container;
 FIG. 15 is a perspective view of the top of the cover of the container;
 FIG. 16 is a perspective bottom view of the cover of the container;
 FIG. 17 is a perspective view of the container with cover in place; and,
 FIG. 18 is a perspective view of the container and the cover.

1 Claim, 18 Drawing Sheets



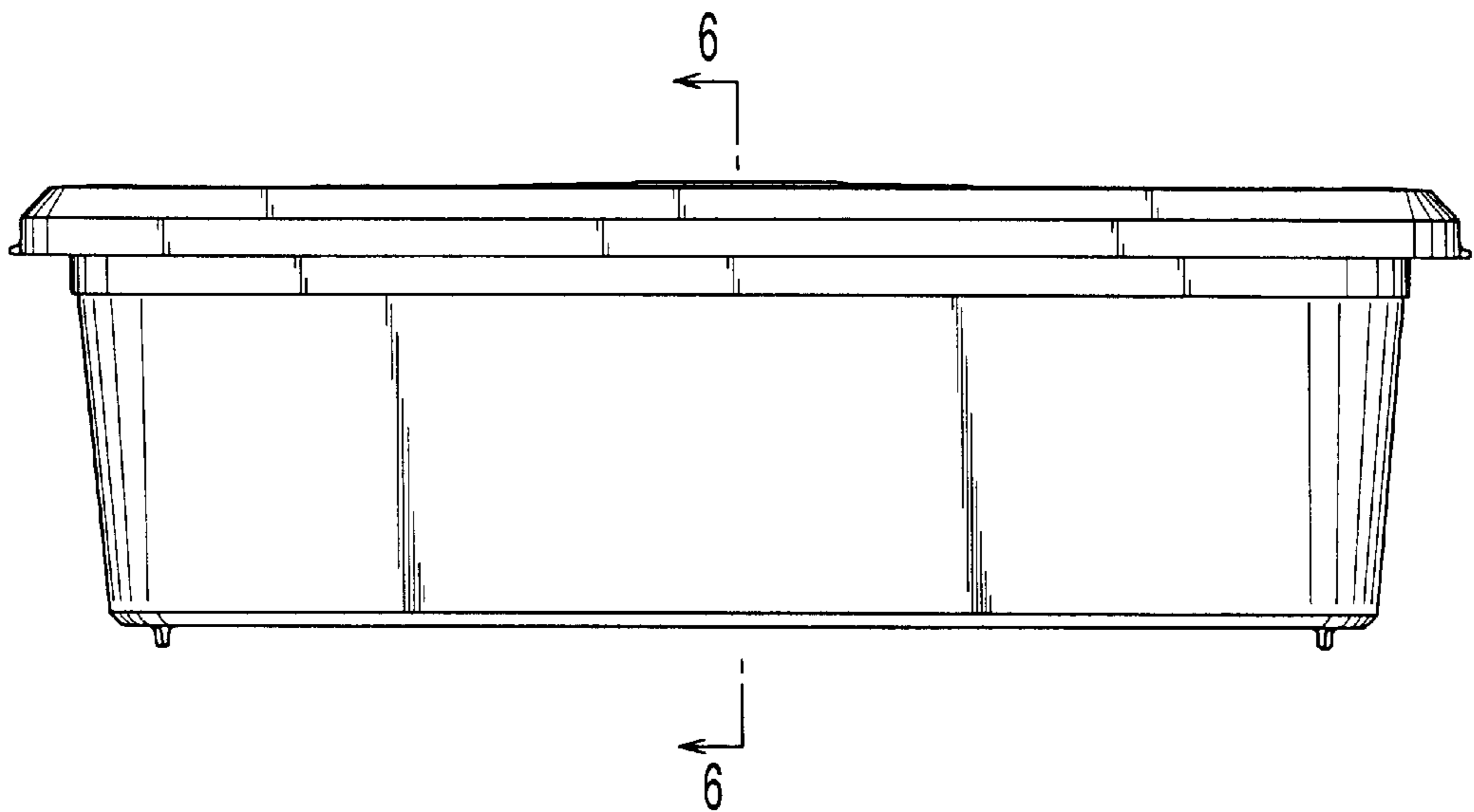


Fig. 1

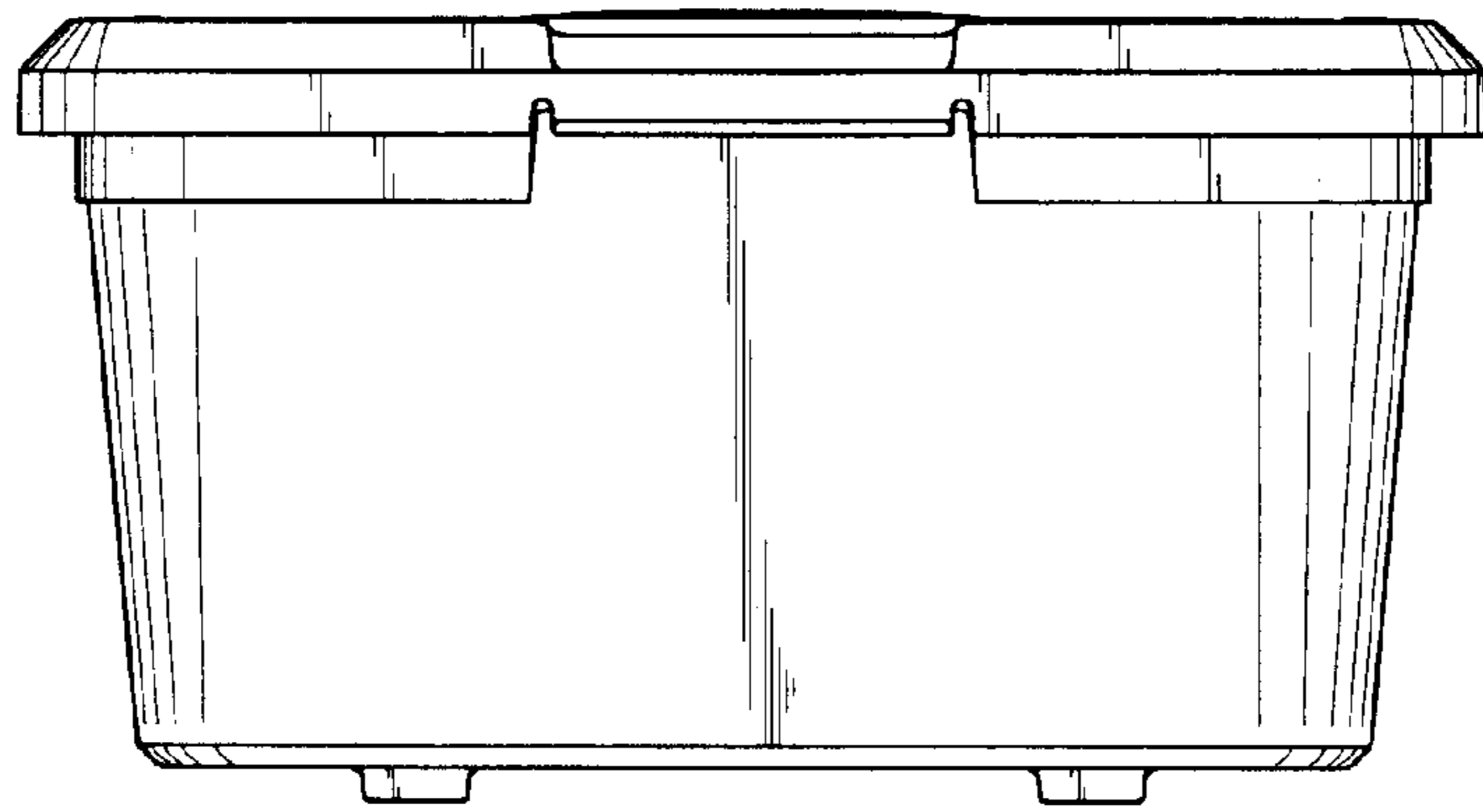


Fig. 2

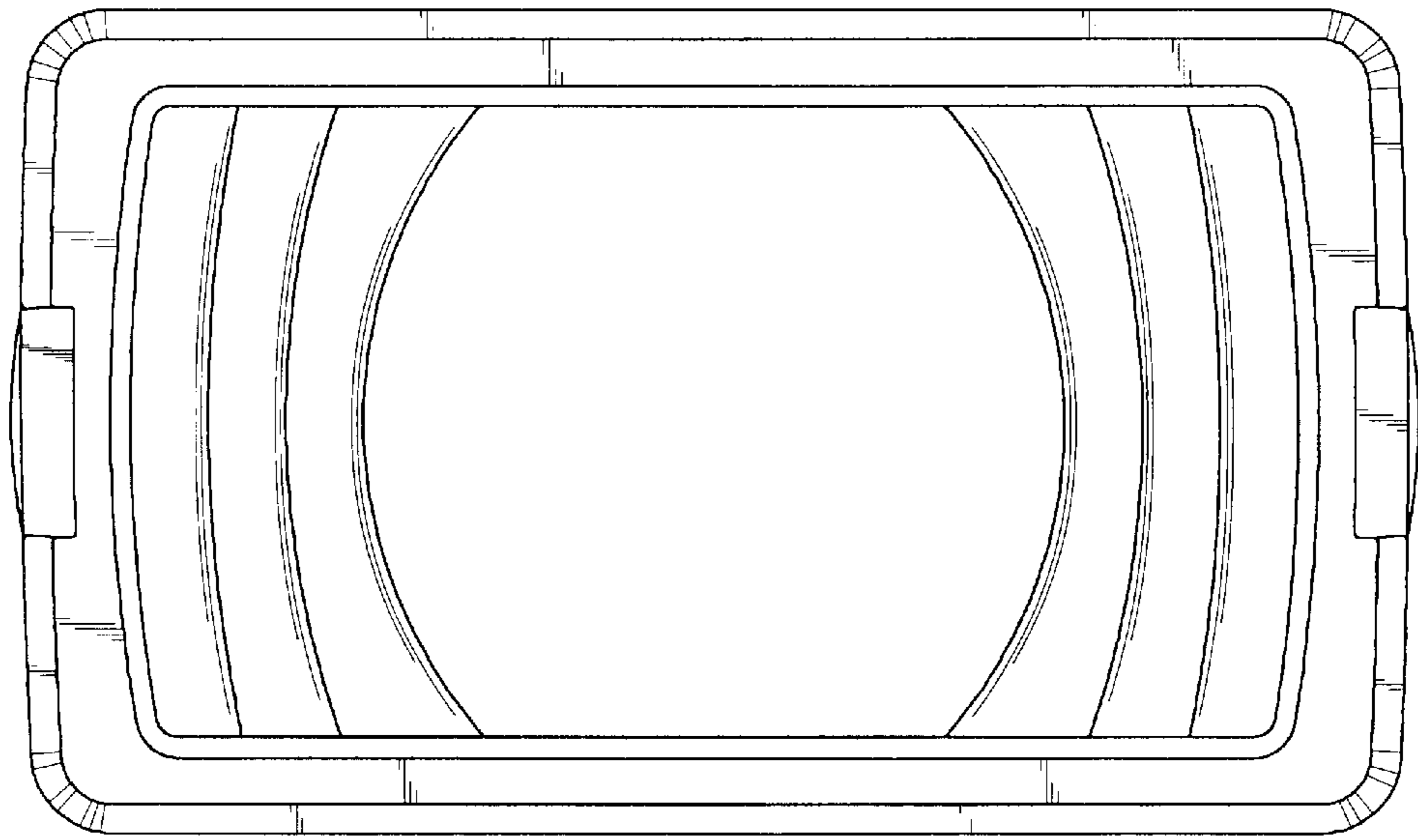


Fig. 3

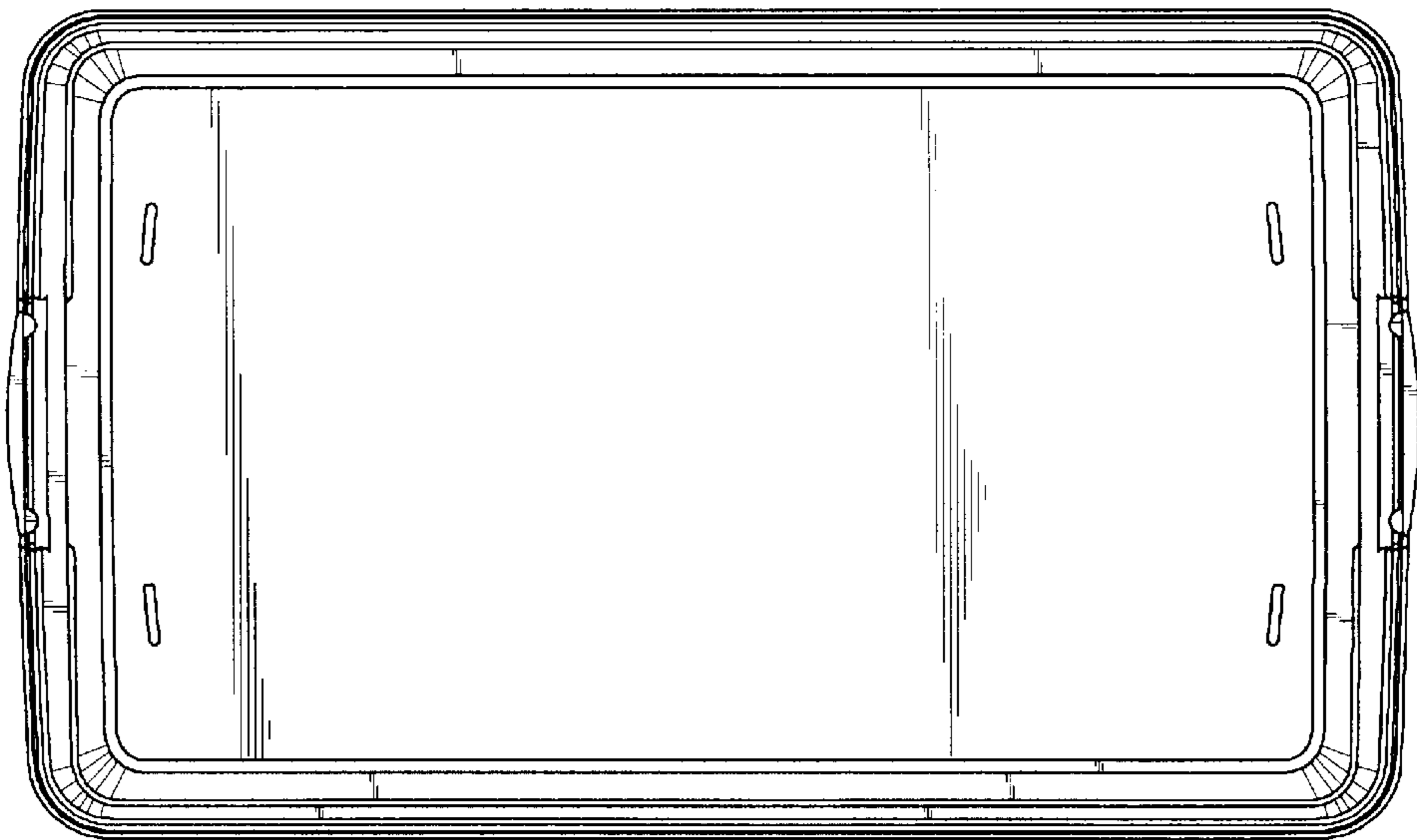


Fig. 4

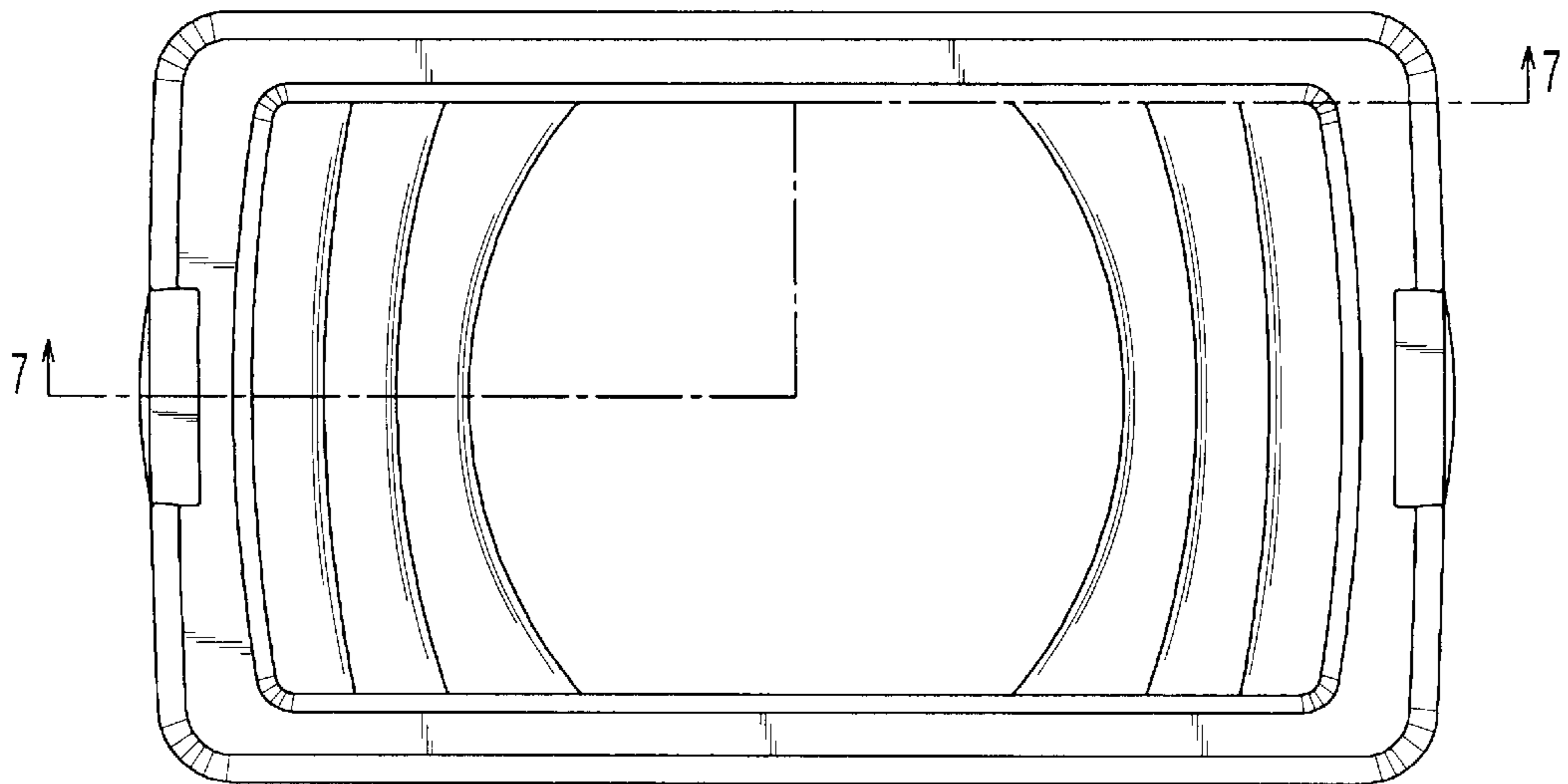


Fig. 5

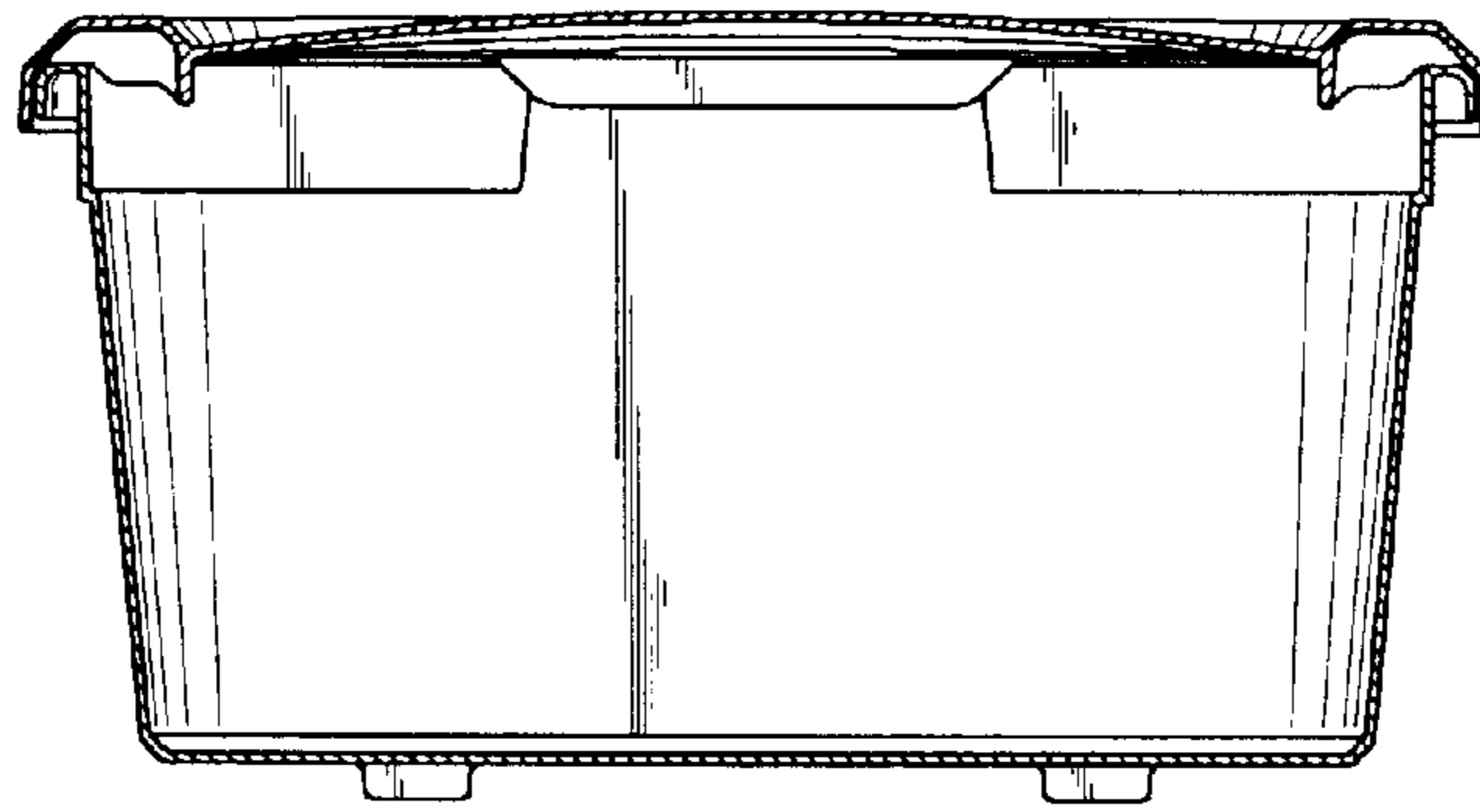


Fig. 6

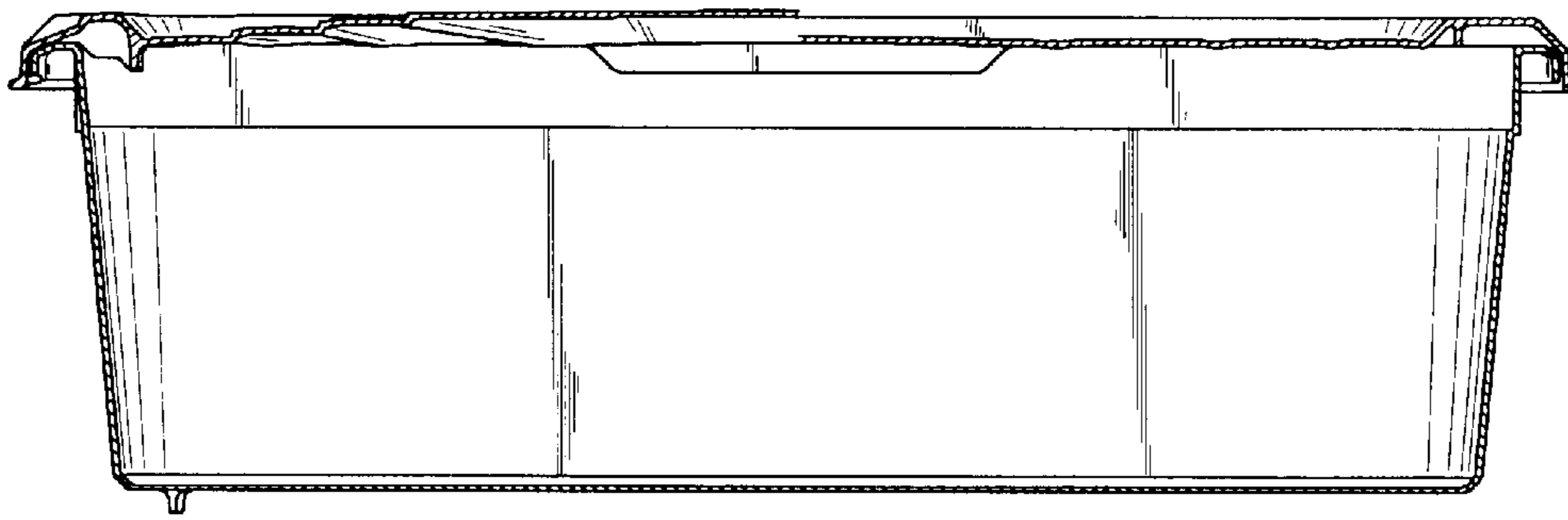


Fig. 7



Fig. 8

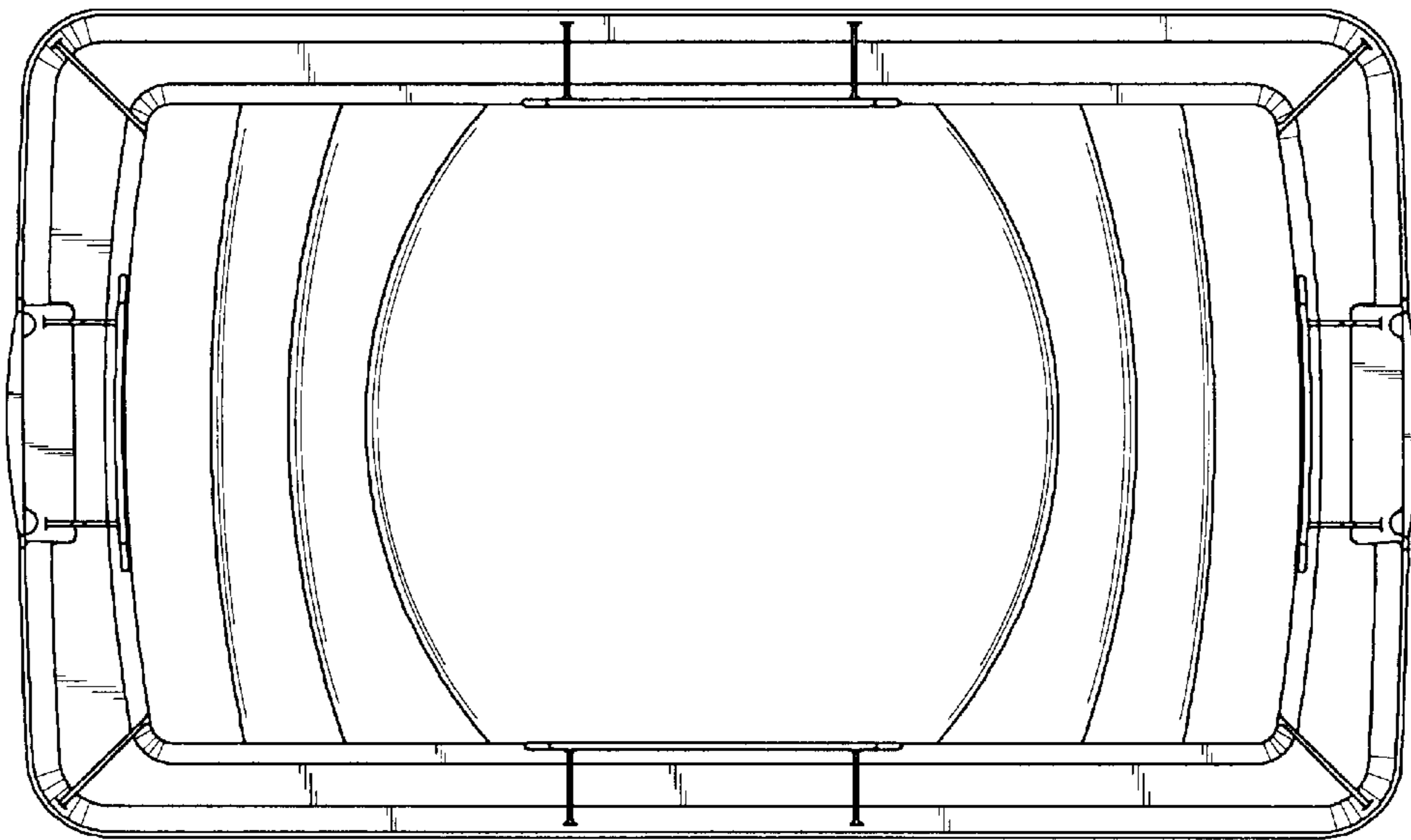


Fig. 9

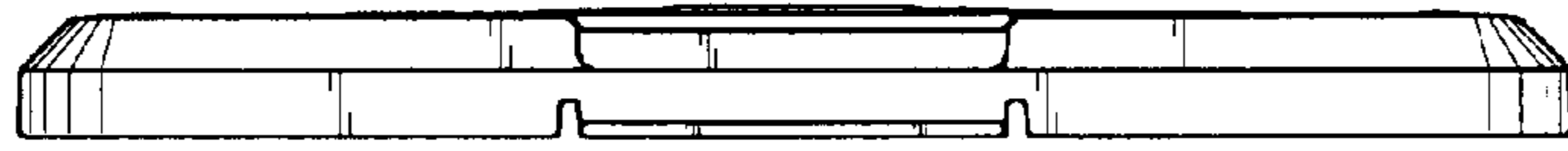


Fig. 10

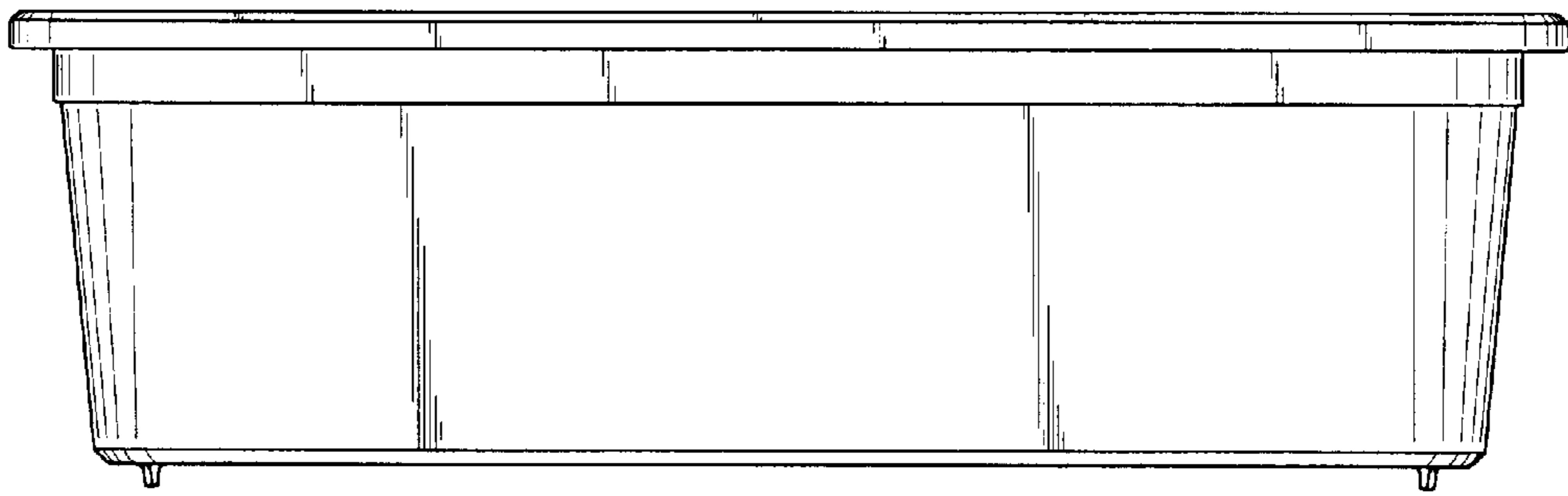


Fig. 11

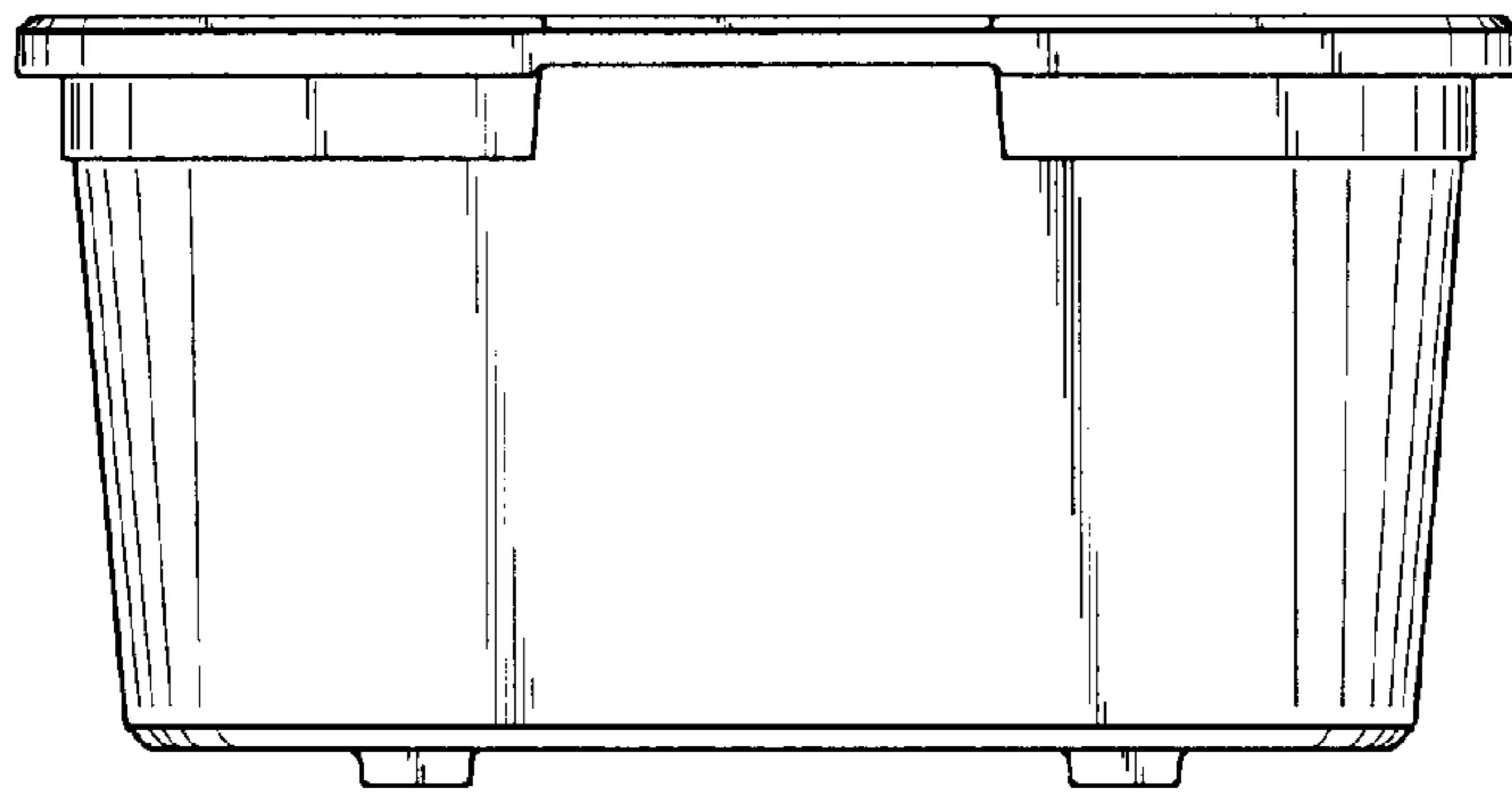


Fig. 12

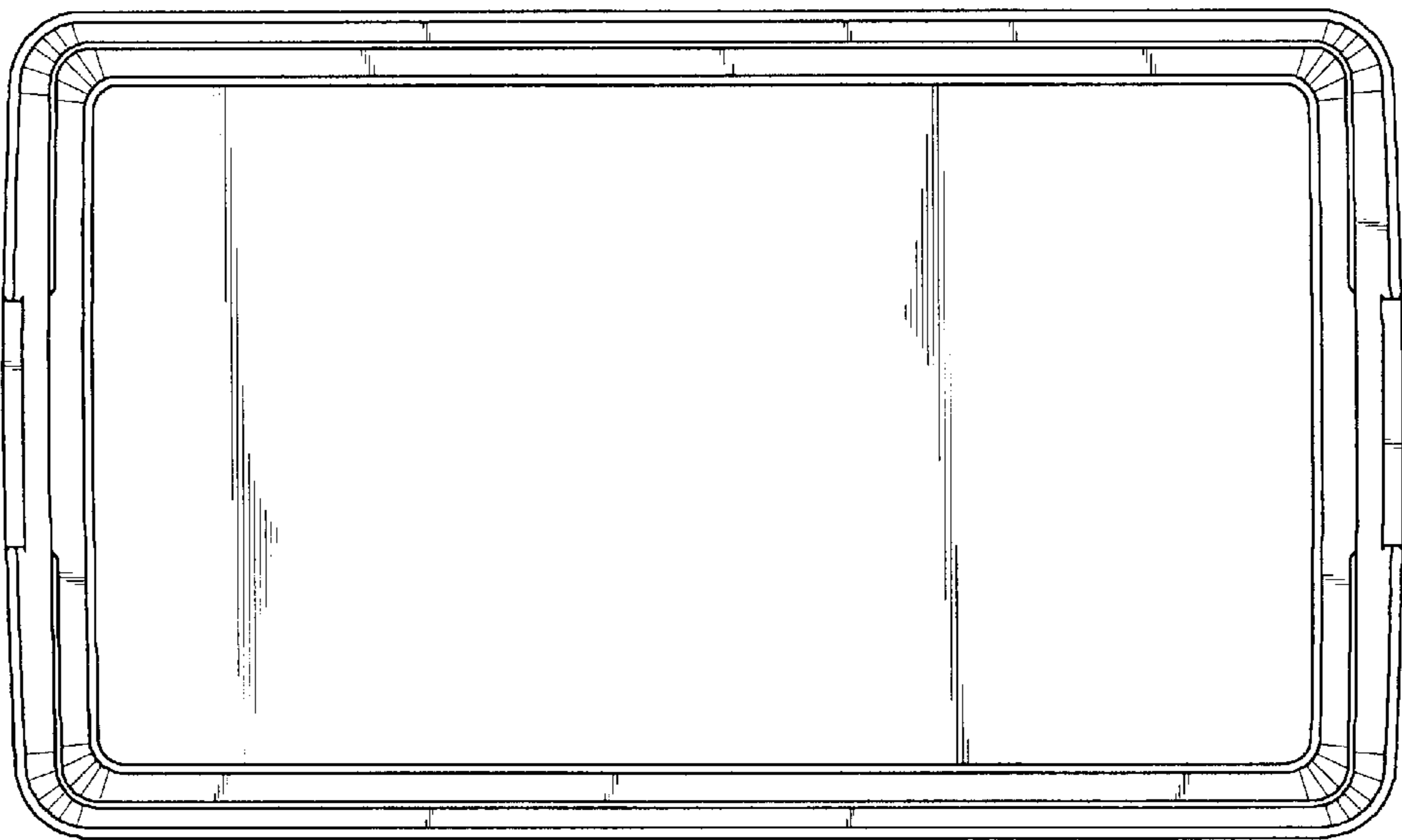


Fig. 13

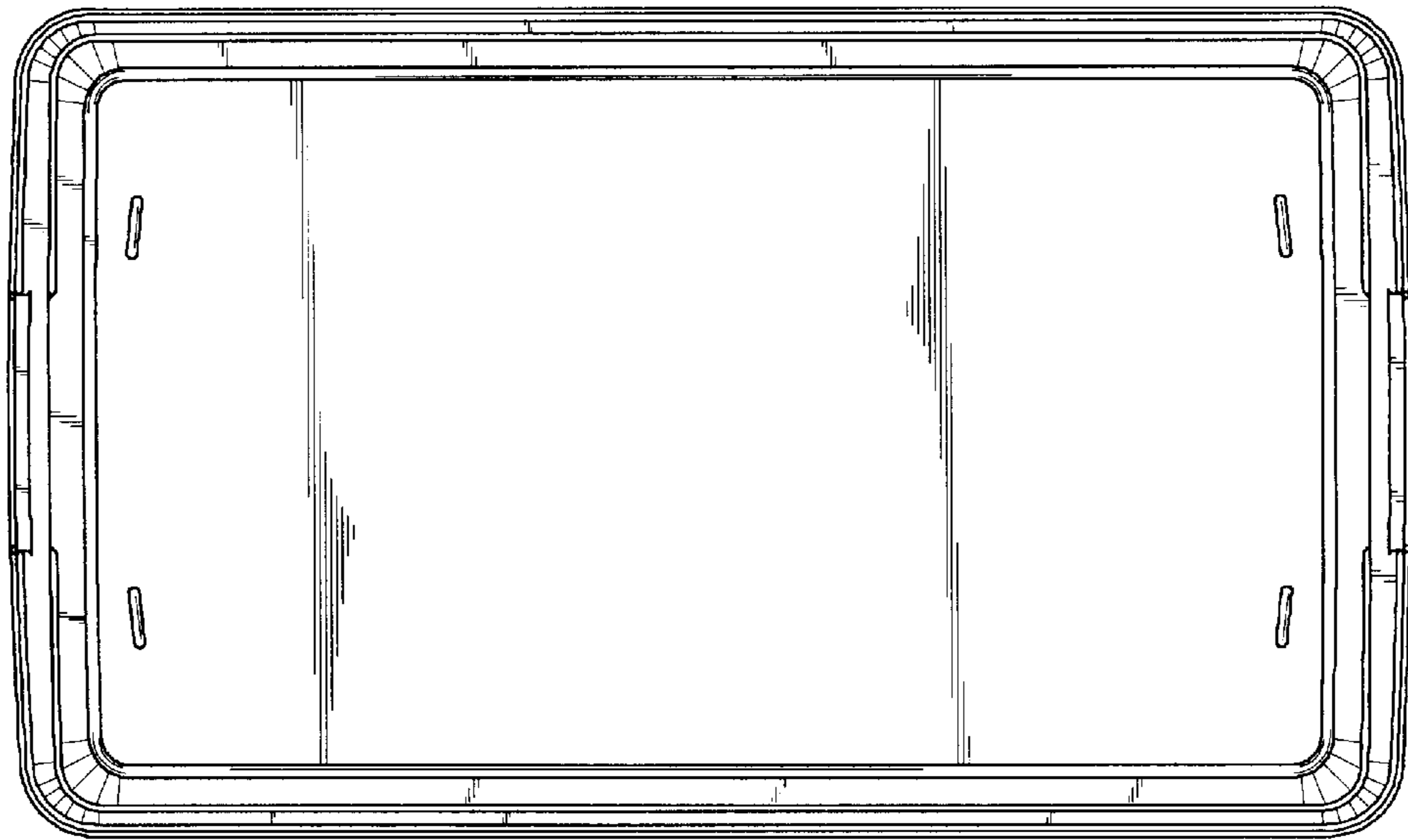


Fig. 14

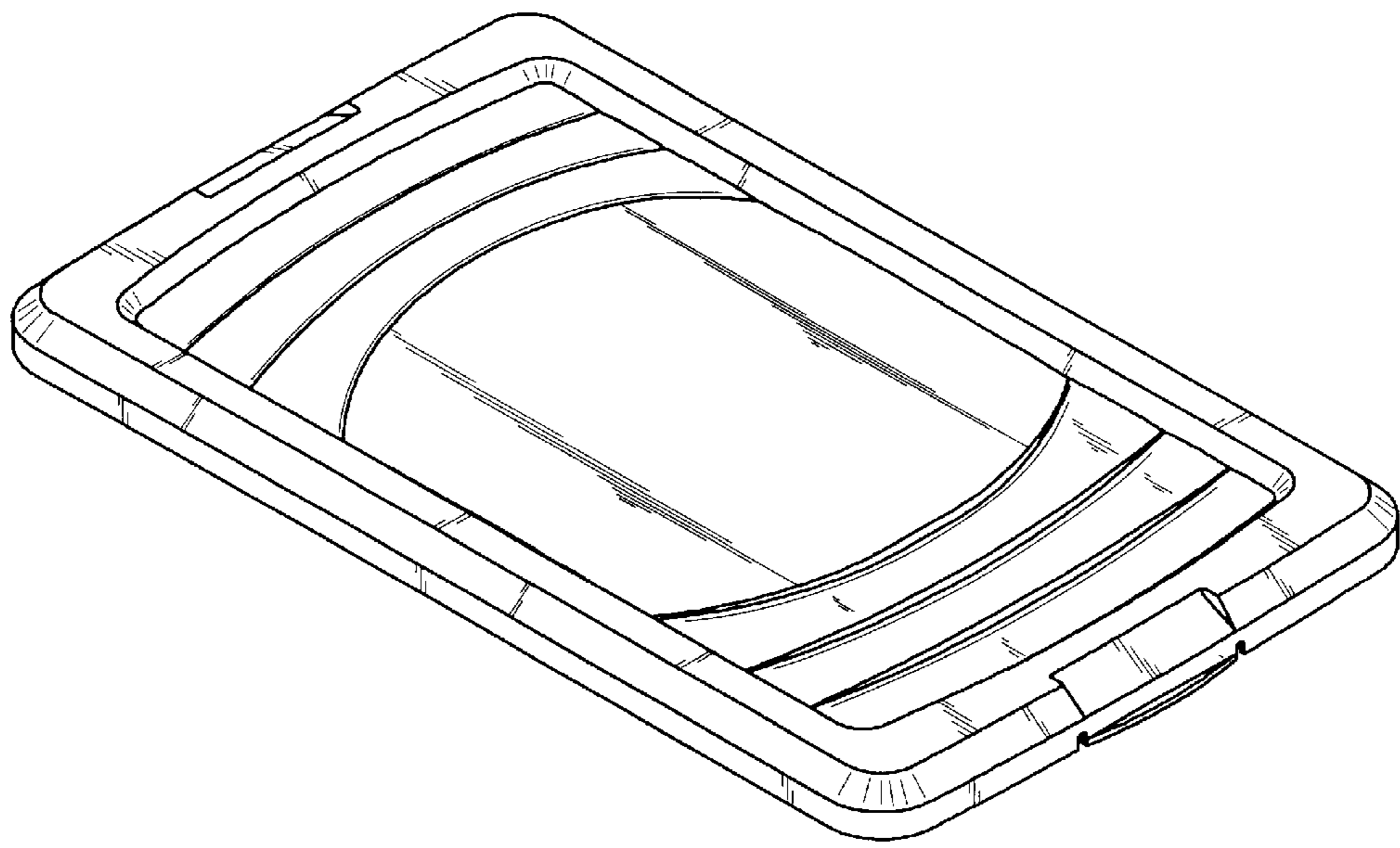


Fig. 15

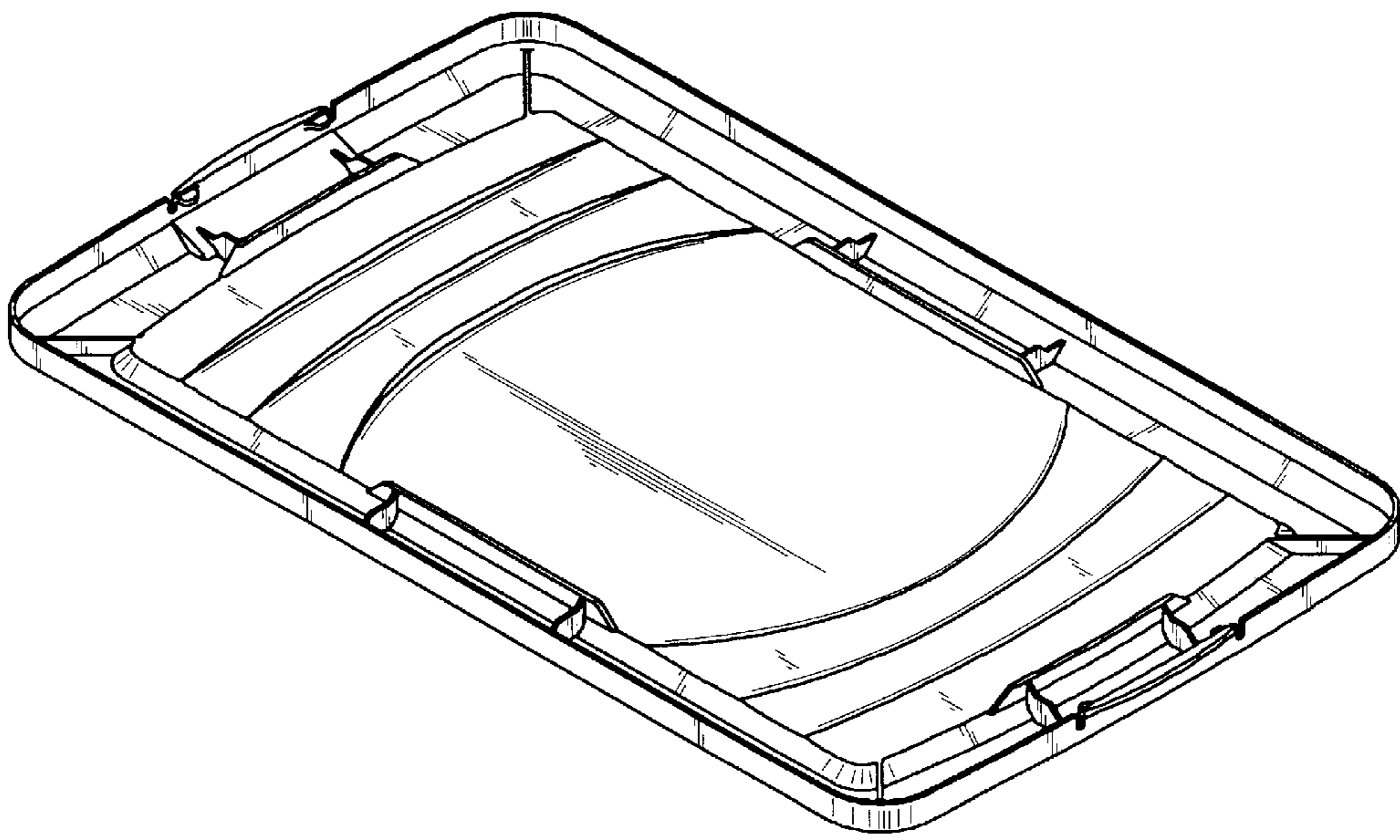


Fig. 16

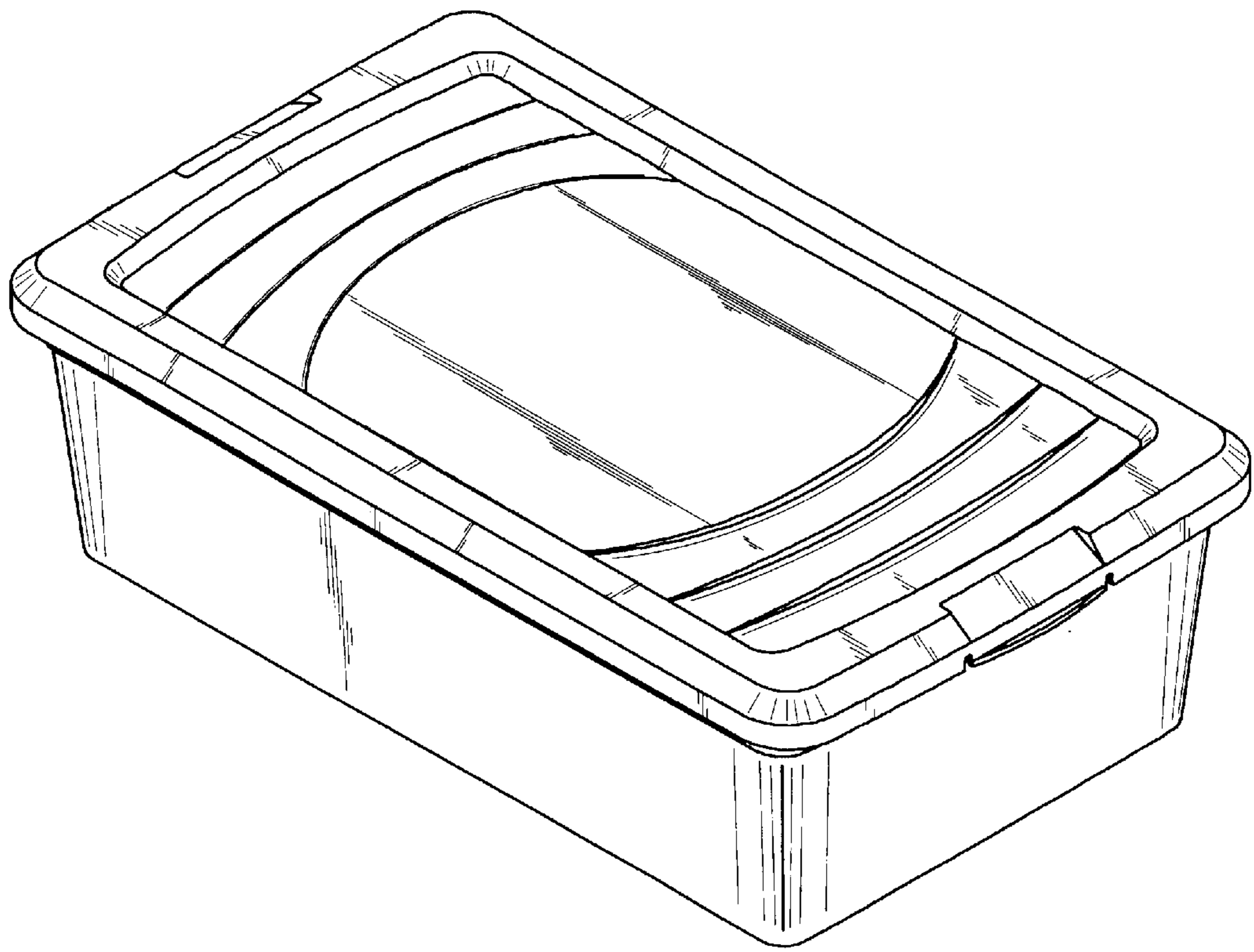


Fig. 17

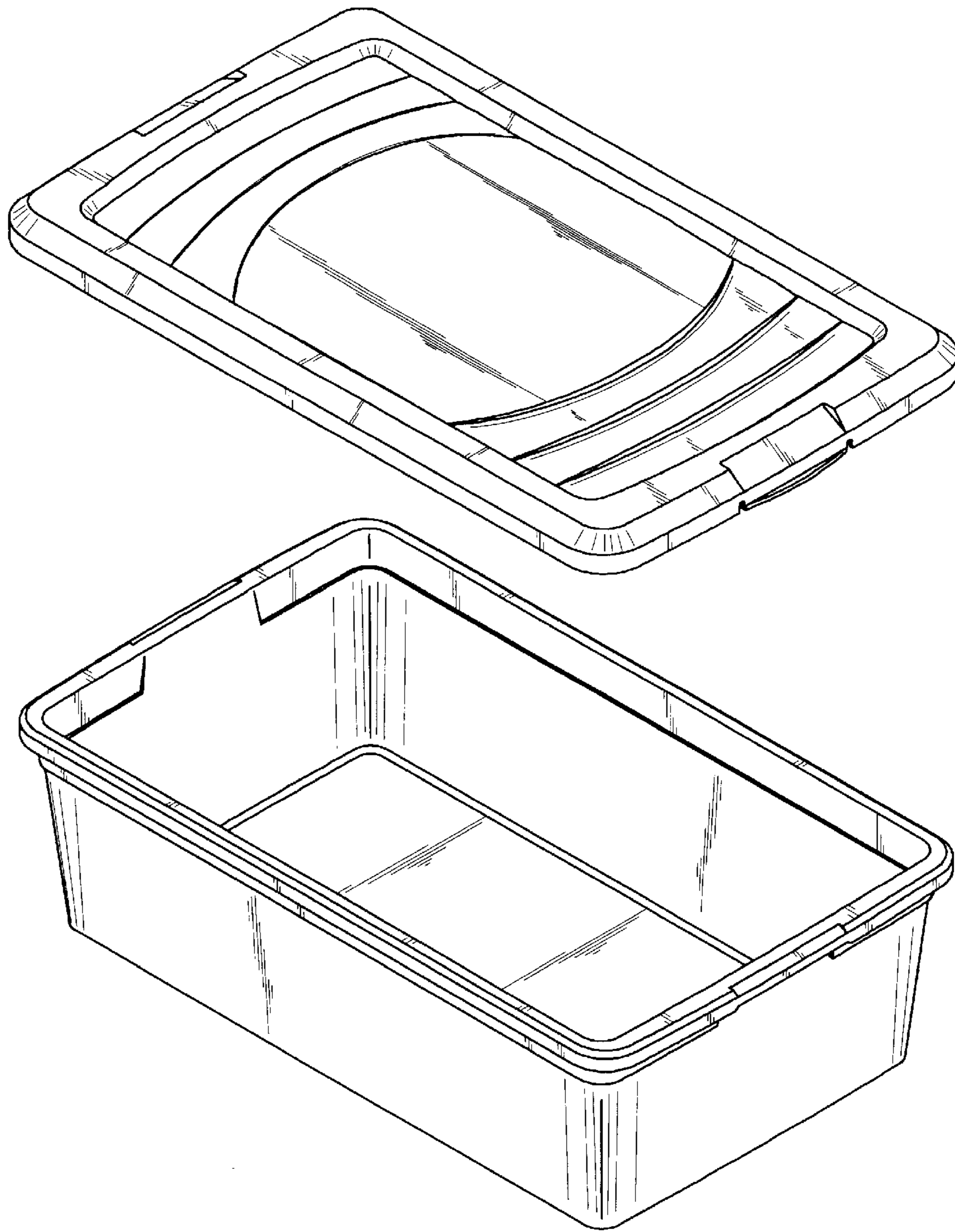


Fig. 18