



US00D483940S

(12) **United States Design Patent**
Dolan

(10) **Patent No.:** **US D483,940 S**

(45) **Date of Patent:** **** Dec. 23, 2003**

(54) **LOCKER PACK**

(76) **Inventor:** **Vincent J. Dolan**, 13 Anthony Wayne Rd., Morristown, NJ (US) 07960

(**) **Term:** **14 Years**

(21) **Appl. No.:** **29/176,474**

(22) **Filed:** **Feb. 24, 2003**

(51) **LOC (7) Cl.** **03-01**

(52) **U.S. Cl.** **D3/217; D3/217; D3/216**

(58) **Field of Search** **D2/741; D3/224, D3/216-218, 233, 268, 274; D14/168; D21/483; 2/2.5; 190/18 A; 224/148.2, 153, 155, 156, 576-580, 582-584, 601, 627-631, 640, 642, 643, 646, 647, 650, 652, 653, 656, 657; 381/90**

(56) **References Cited**

U.S. PATENT DOCUMENTS

3,233,803	A	*	2/1966	Gray	
4,655,343	A	*	4/1987	Lane et al.	206/287.1
4,830,245	A	*	5/1989	Arakaki	224/628
4,883,207	A	*	11/1989	McArthur	224/153
4,887,751	A	*	12/1989	Lehman	
5,004,134	A	*	4/1991	Barry	224/650
5,544,792	A	*	8/1996	Arnwine	224/153
D375,622	S	*	11/1996	Croft	D3/217
5,799,851	A	*	9/1998	Wulf et al.	224/583
D412,787	S	*	8/1999	Young	D3/283
5,964,384	A	*	10/1999	Young	
5,988,465	A	*	11/1999	Vitale et al.	224/155

D418,673	S	*	1/2000	Madsen	
D420,792	S	*	2/2000	Sakelliou et al.	D3/216
6,543,658	B2	*	4/2003	Trevino	224/153
2001/0038023	A1	*	11/2001	Trevino	
2002/0139820	A1	*	10/2002	Godshaw	
2002/0170932	A1	*	11/2002	Higgins	

* cited by examiner

Primary Examiner—Celia Murphy
(74) *Attorney, Agent, or Firm*—Gibbons, Del Deo, Dolan, Griffinger & Vecchione

(57) **CLAIM**

The ornamental design for a locker pack, as shown and described.

DESCRIPTION

FIG. 1 is a front right perspective view of a locker pack showing my new design folded and bound;
 FIG. 2 is a reduced front elevational view thereof;
 FIG. 3 is a rear elevational view of FIG. 2;
 FIG. 4 is a right side elevational view of FIG. 2;
 FIG. 5 is a top plan view of FIG. 2;
 FIG. 6 is a bottom plan view of FIG. 2;
 FIG. 7 is a further reduced perspective view of FIG. 2 shown fully extended;
 FIG. 8 is a front elevational view of FIG. 7;
 FIG. 9 is a rear elevational view of FIG. 7;
 FIG. 10 is a right side elevational view of FIG. 7;
 FIG. 11 is a top plan view of FIG. 7; and,
 FIG. 12 is a bottom plan view of FIG. 7.

1 Claim, 7 Drawing Sheets

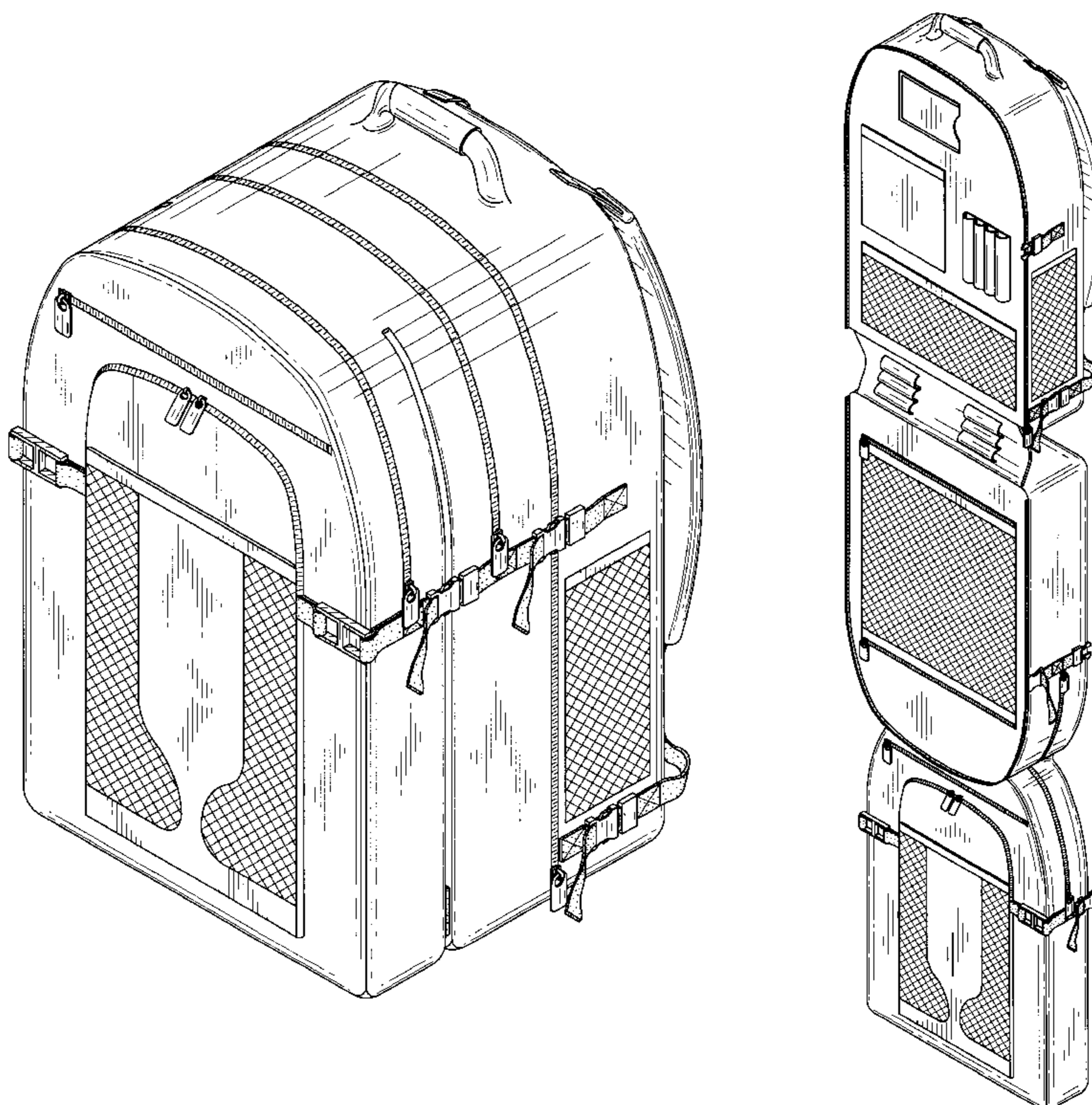


FIG. 1

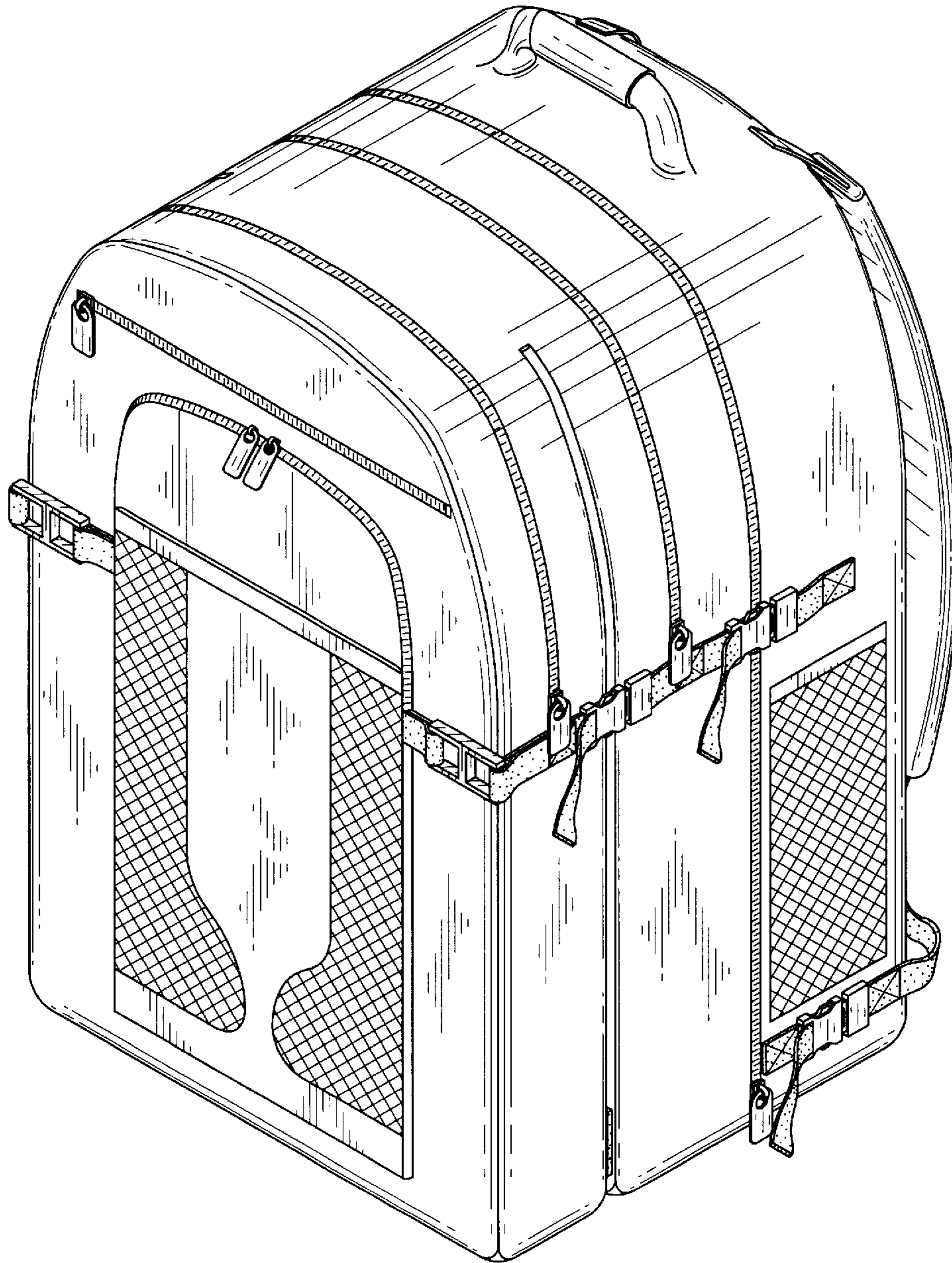


FIG. 2

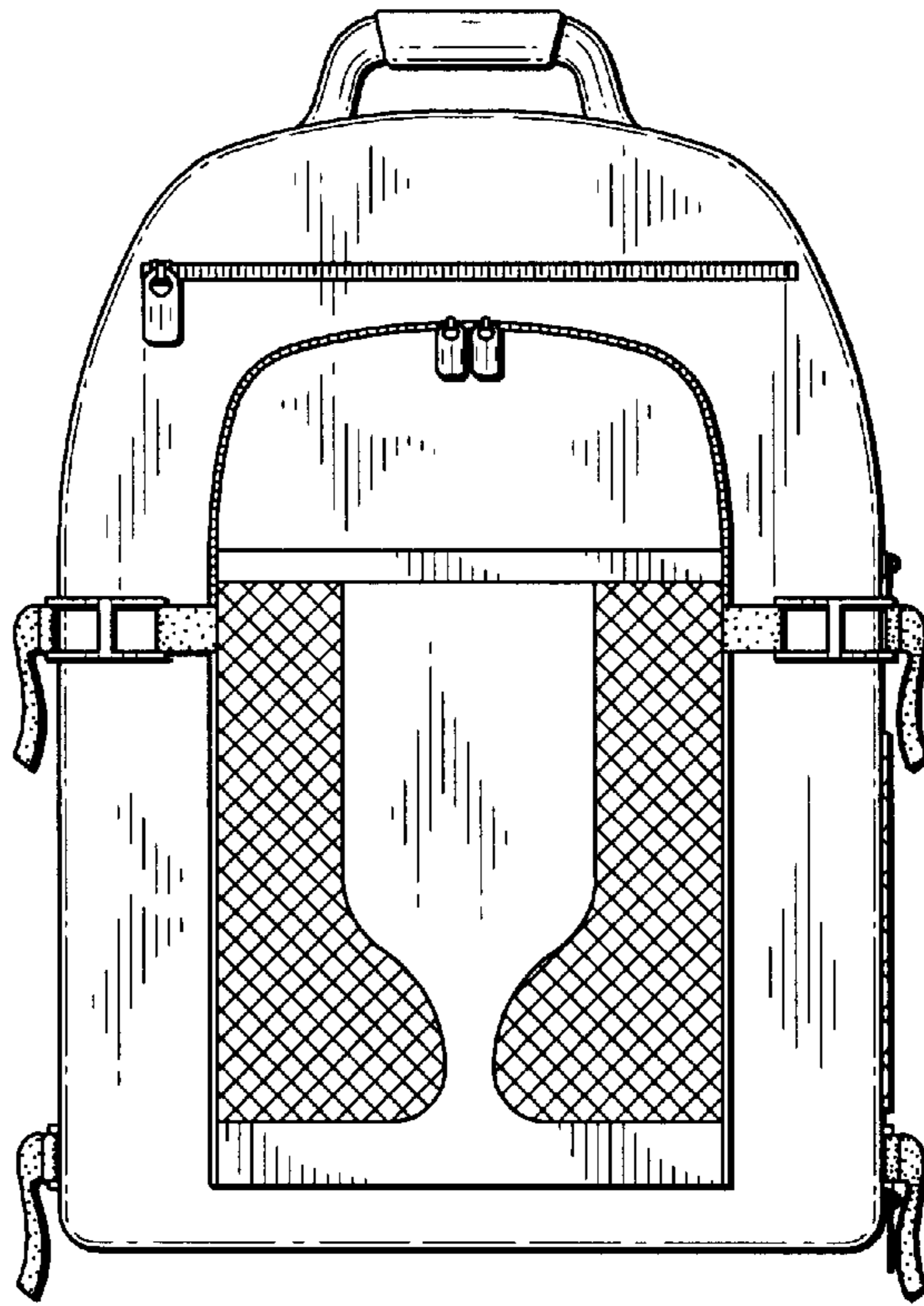


FIG. 3

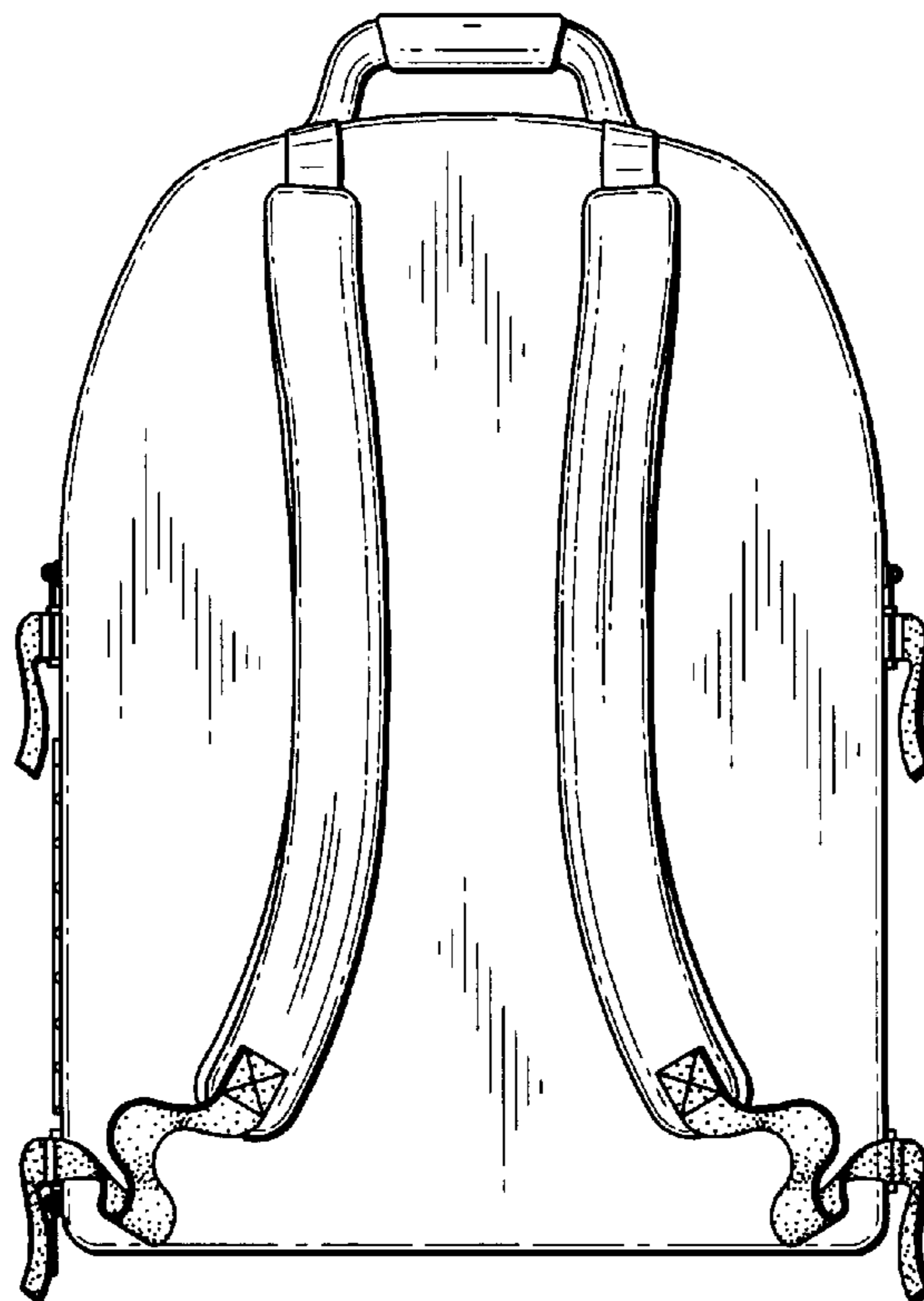


FIG. 4

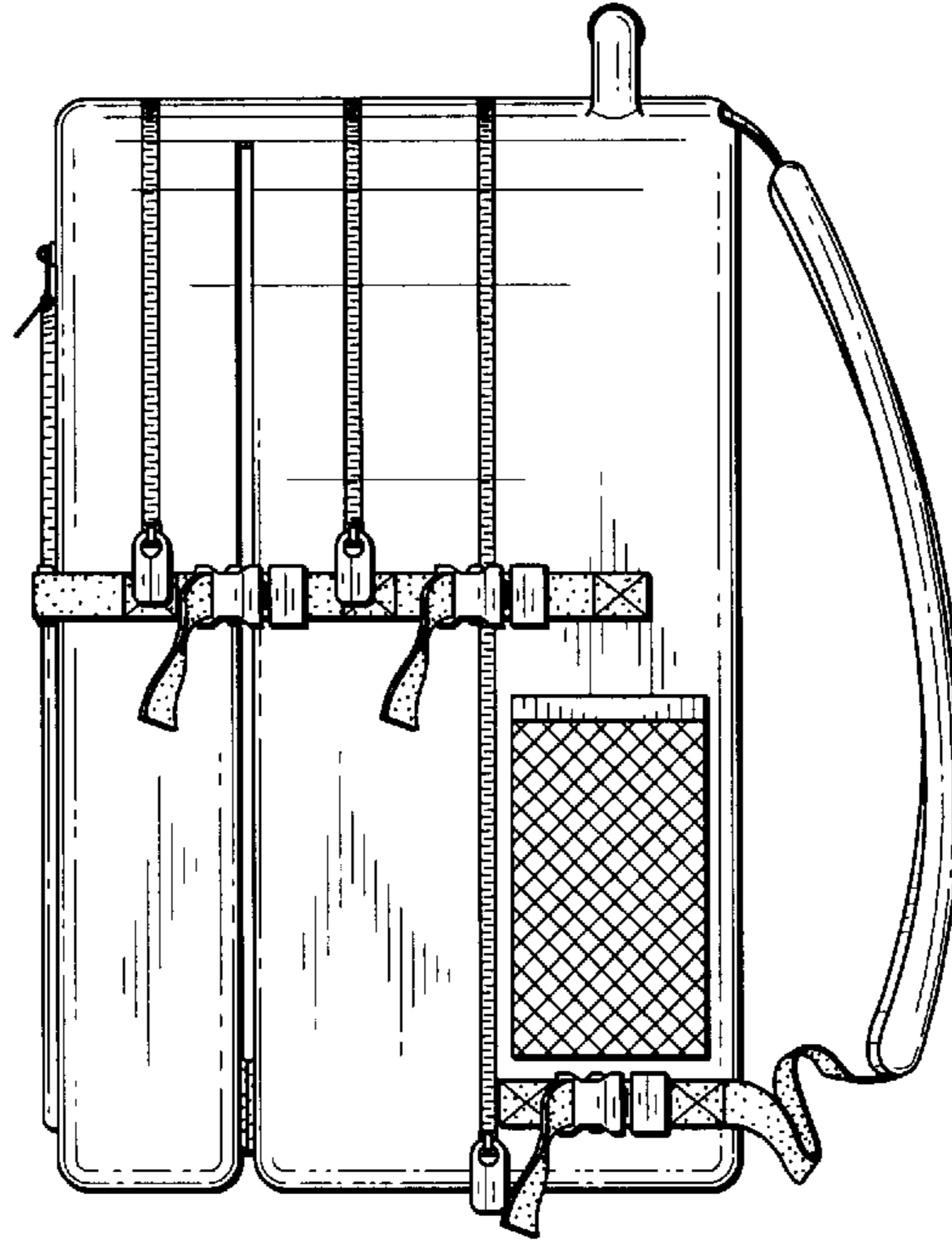


FIG. 5

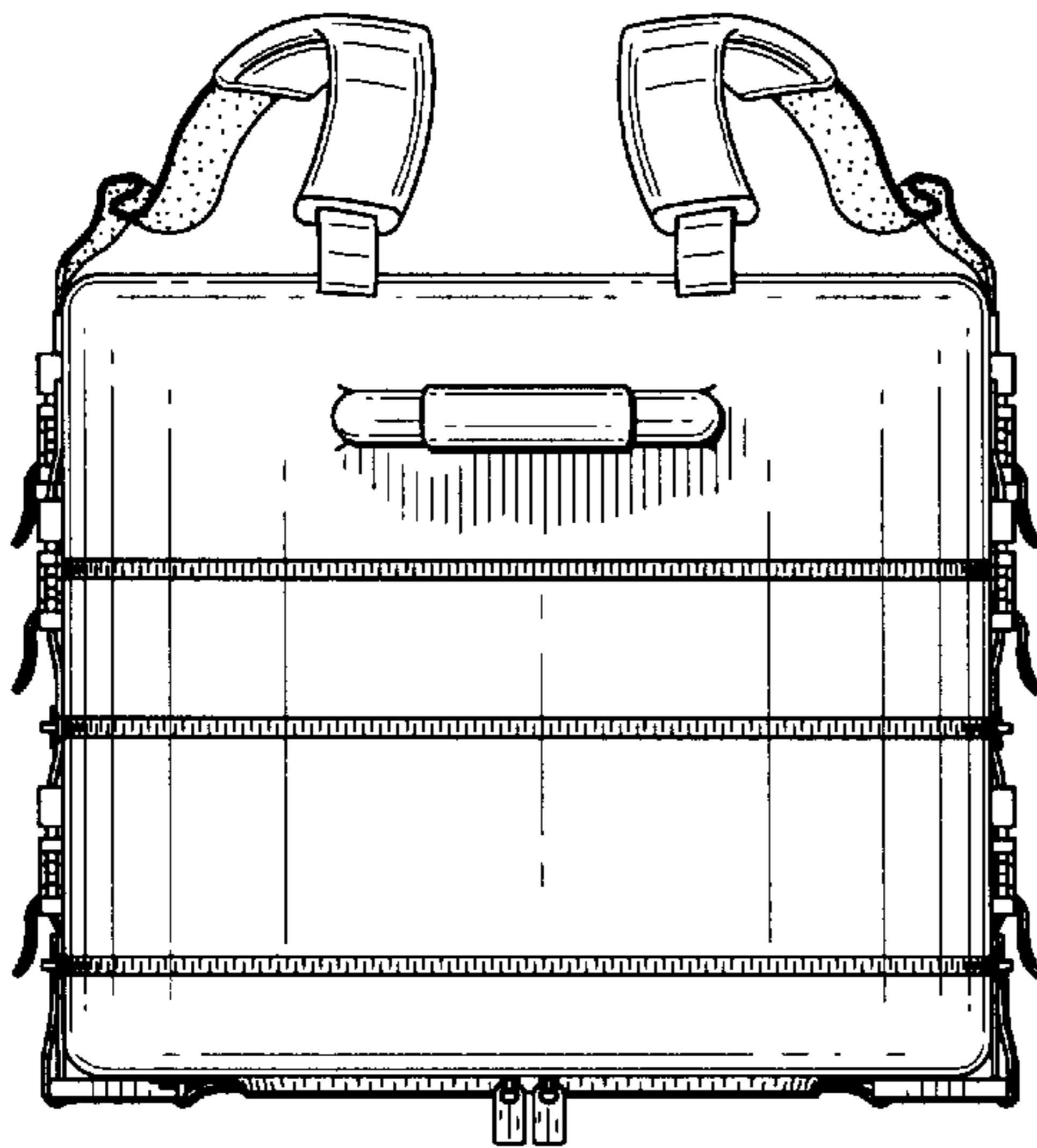


FIG. 6

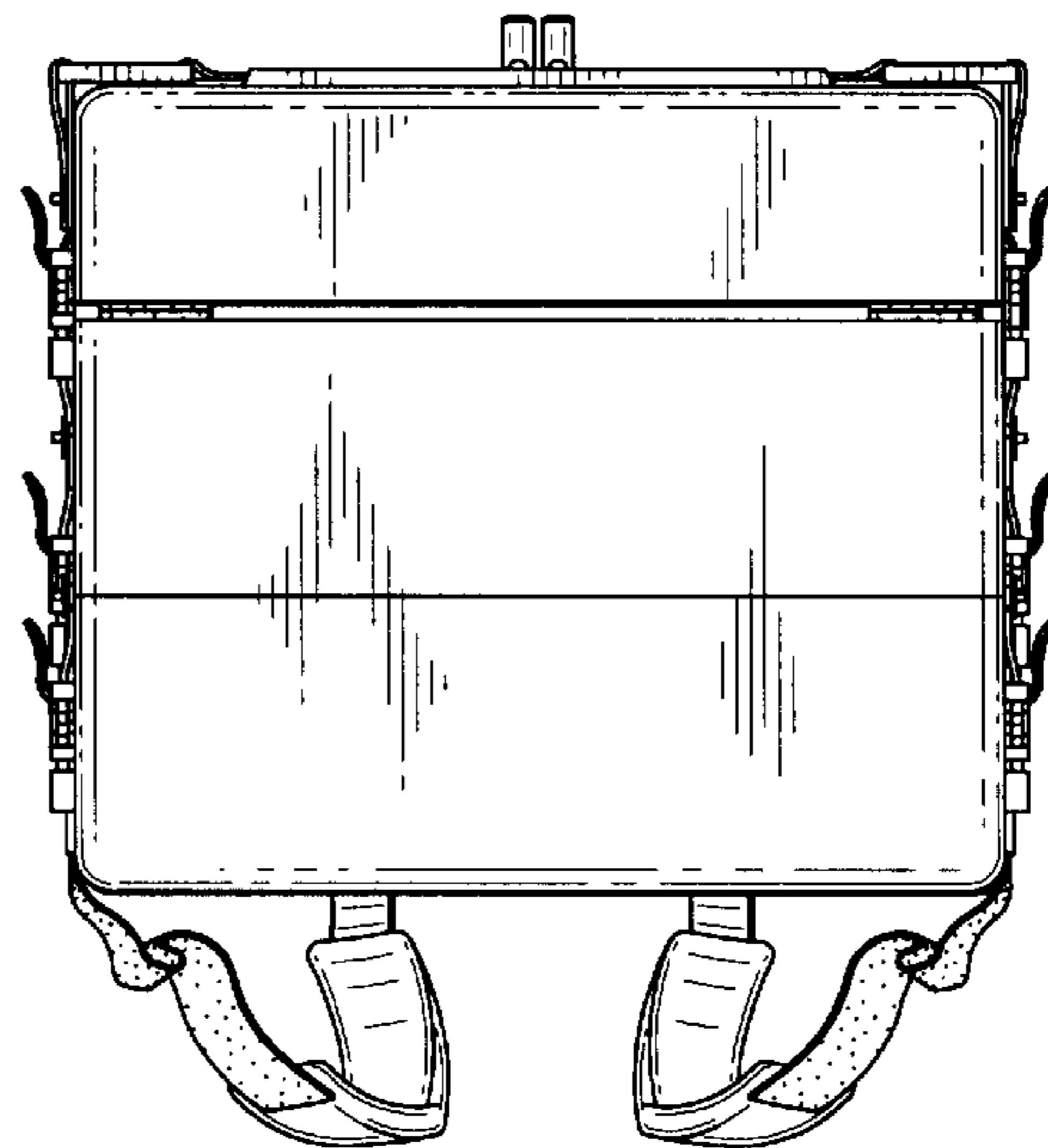


FIG. 7

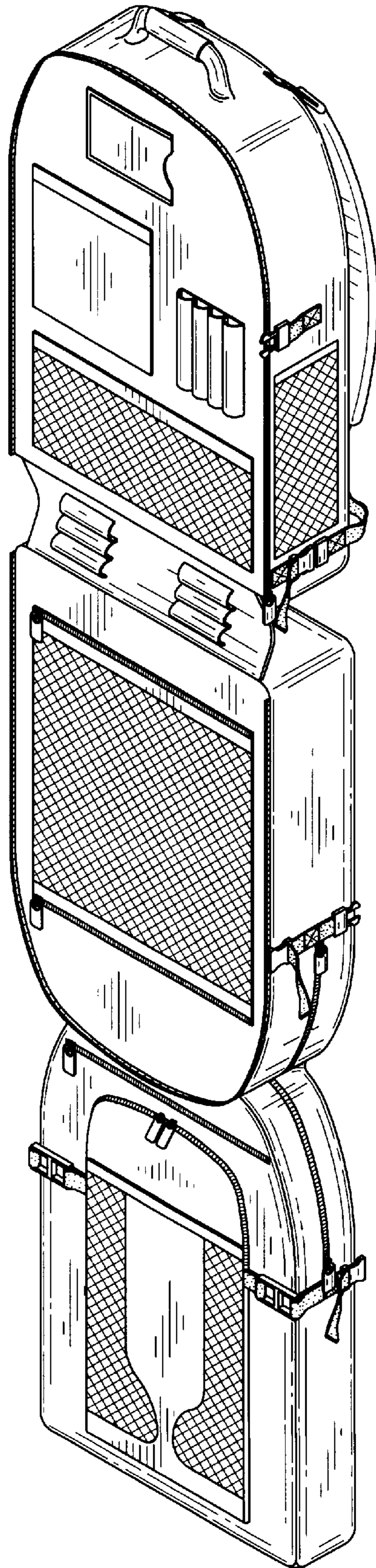


FIG. 8

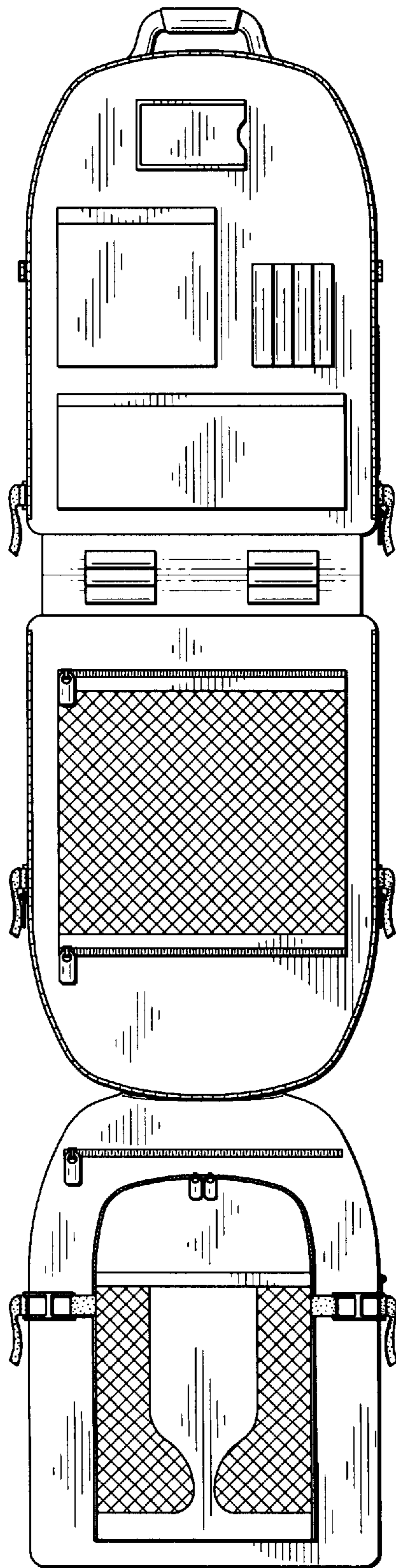


FIG. 9

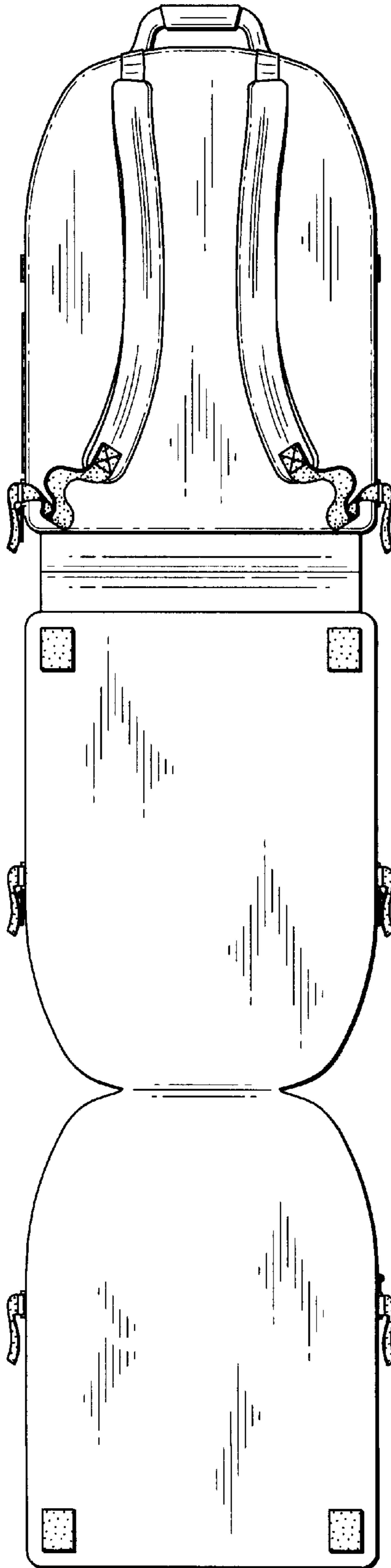


FIG. 10

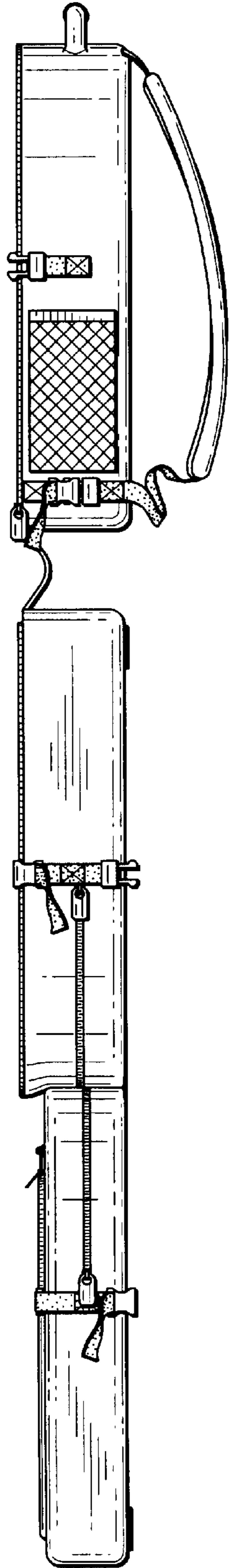


FIG. 11

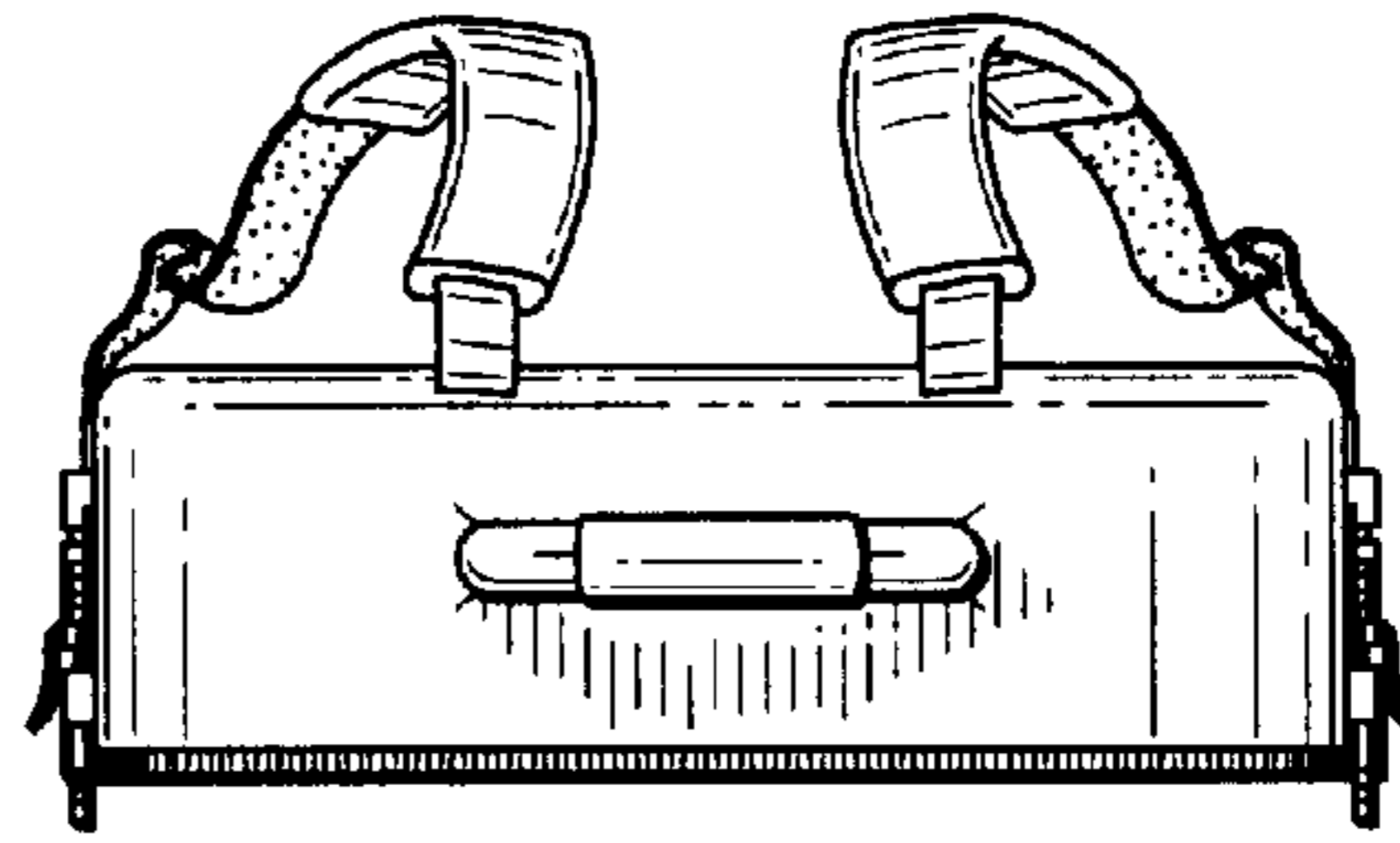


FIG. 12

