



US00D483939S

(12) **United States Design Patent**  
**Kountz et al.**

(10) **Patent No.:** **US D483,939 S**

(45) **Date of Patent:** **\*\* Dec. 23, 2003**

(54) **CONTAINER**

(74) *Attorney, Agent, or Firm*—Dority & Manning, P.A.

(75) **Inventors:** **Ronald D. Kountz**, Spartanburg, SC (US); **Roger Zeller**, Chesterfield, MI (US)

(57) **CLAIM**

The ornamental design of a container, substantially as shown and described.

(73) **Assignee:** **Market Link Industries, Inc.**, Spartanburg, SC (US)

**DESCRIPTION**

(\*\*) **Term:** **14 Years**

(21) **Appl. No.:** **29/161,411**

(22) **Filed:** **May 29, 2002**

(51) **LOC (7) Cl.** ..... **03-01**

(52) **U.S. Cl.** ..... **D3/215; D3/228**

(58) **Field of Search** ..... D3/228, 226, 224, D3/215, 221, 229; 224/904, 901, 240, 241, 242, 163; D6/552, 553, 526; 24/3.7, 3 R, 3 A, 163 K

FIG. 1 is a front perspective view of a container showing my new design and including a can shown for environmental purposes;

FIG. 2 is a front perspective view of the container as seen in FIG. 1;

FIG. 3 is an additional front perspective view setting forth additional details of the design;

FIG. 4 is a top plan view;

FIG. 5 is a front elevation view;

FIG. 6 is a rear elevation view;

FIG. 7 is a bottom plan view thereof;

FIG. 8 is a left side view; and,

FIG. 9 is a right side view.

The broken lines shown at the bottom of FIGS. 2, 4, 5, and 7 are for environmental purposes only and form no part of the claimed design.

(56) **References Cited**

**U.S. PATENT DOCUMENTS**

- D193,678 S \* 9/1962 Goldman ..... D3/228
- 4,562,620 A \* 1/1986 Oliver, Jr. .... 24/163 K
- 4,598,027 A \* 7/1986 Johnson ..... 428/542.8
- D387,897 S \* 12/1997 Yorke et al. .... D3/215
- D437,999 S \* 2/2001 Williamson ..... D3/228

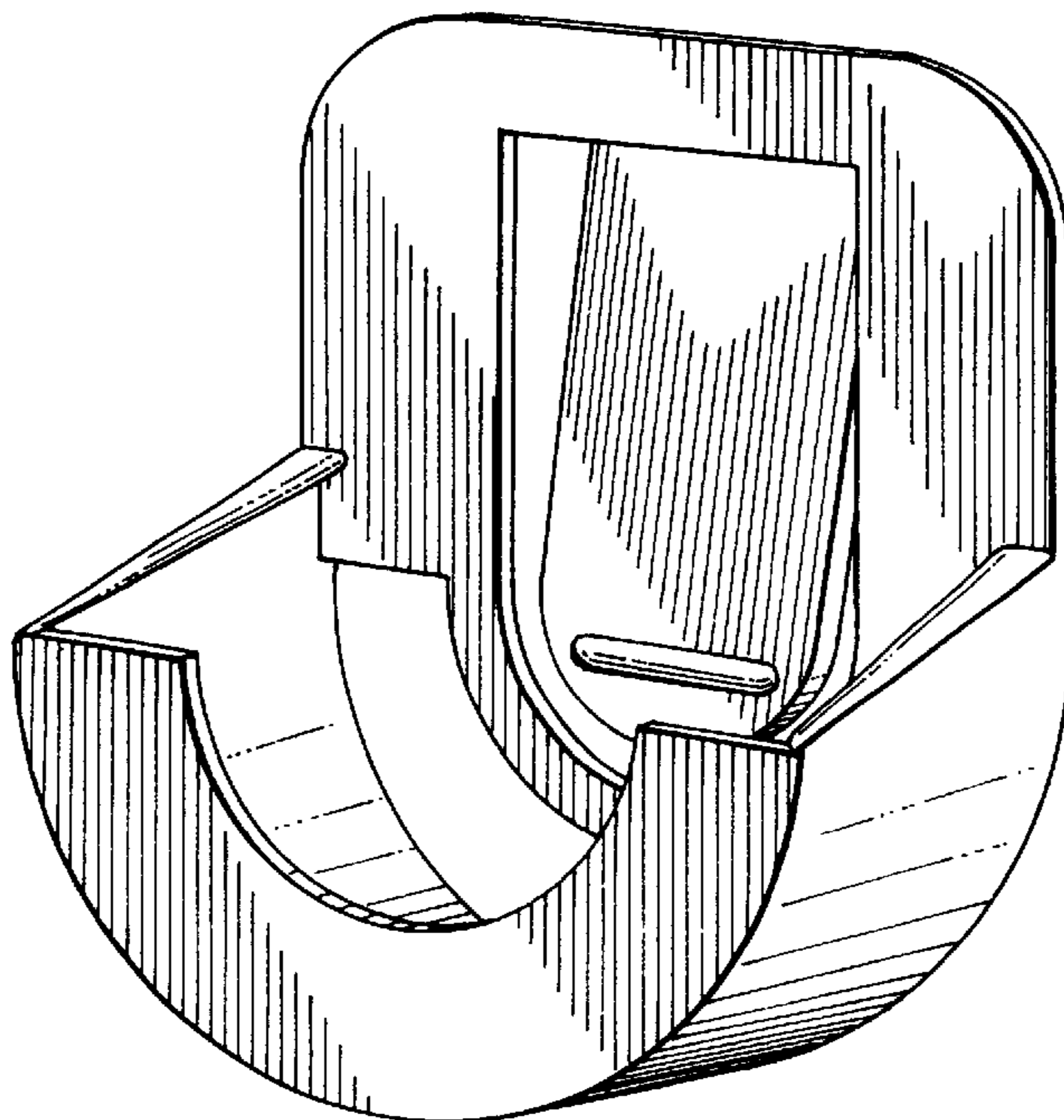
**OTHER PUBLICATIONS**

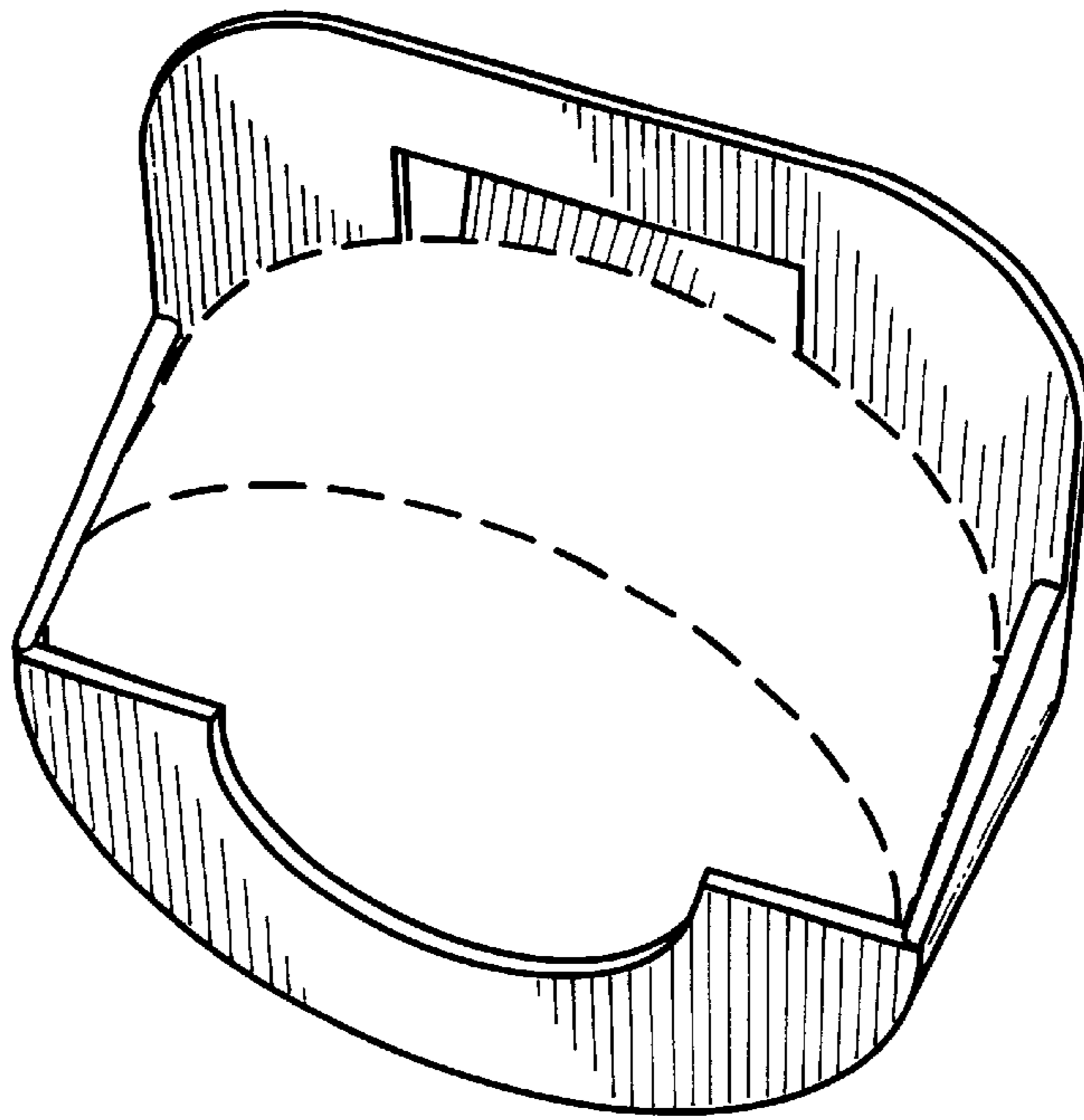
Five (5) Photographs of admitted prior art.

\* cited by examiner

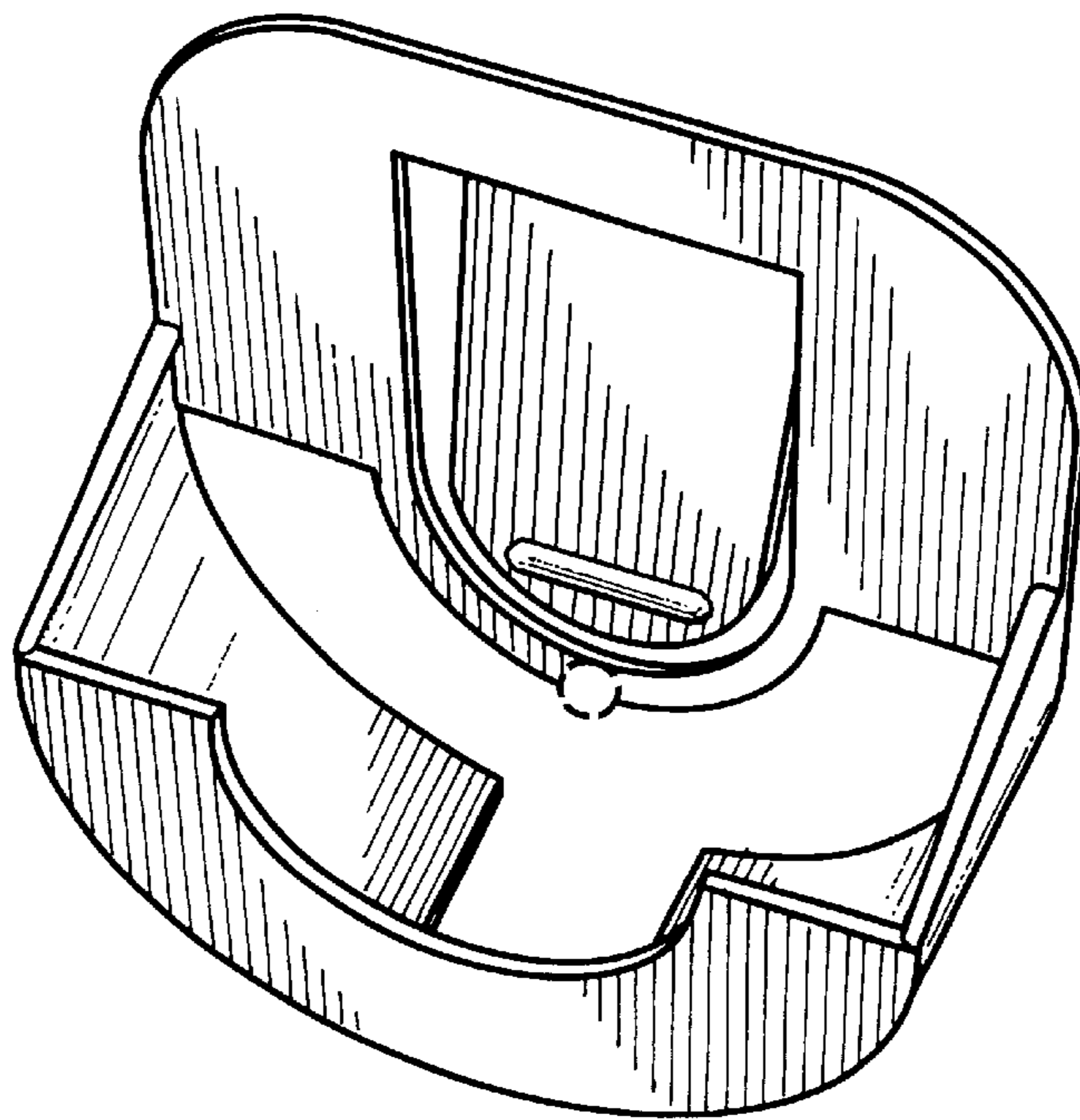
*Primary Examiner*—Catherine R. Oliver

**1 Claim, 5 Drawing Sheets**

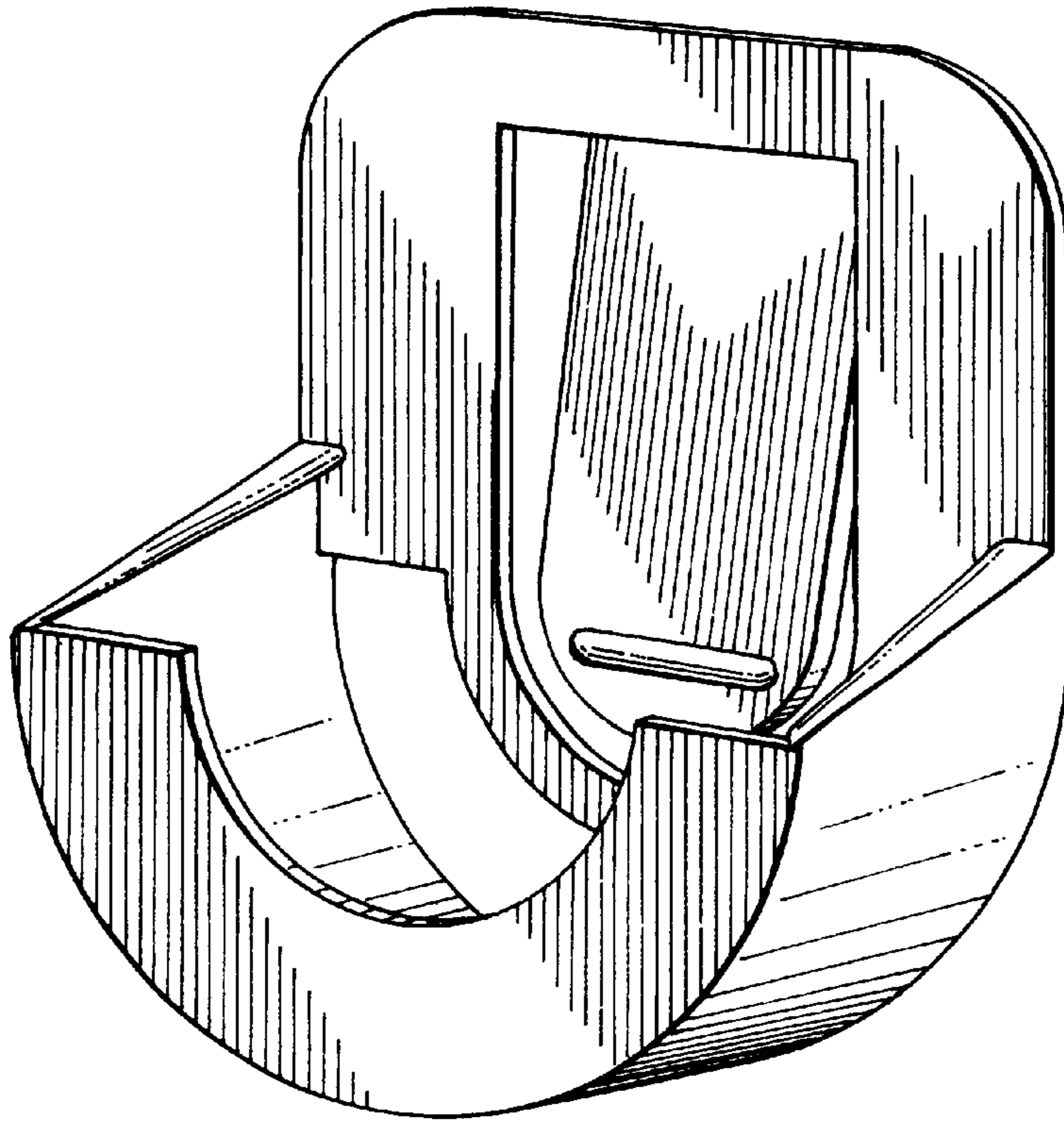




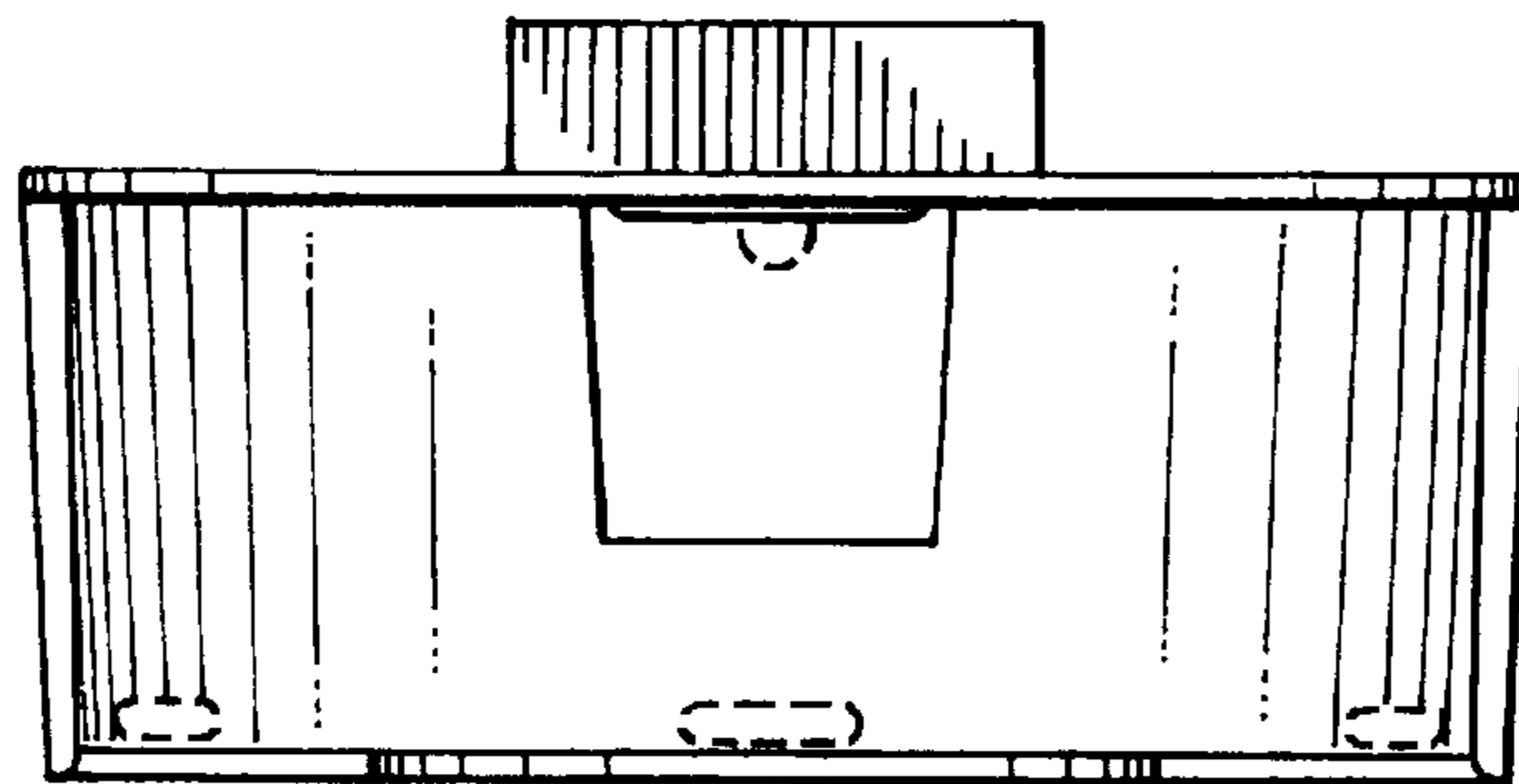
*Fig. 1*



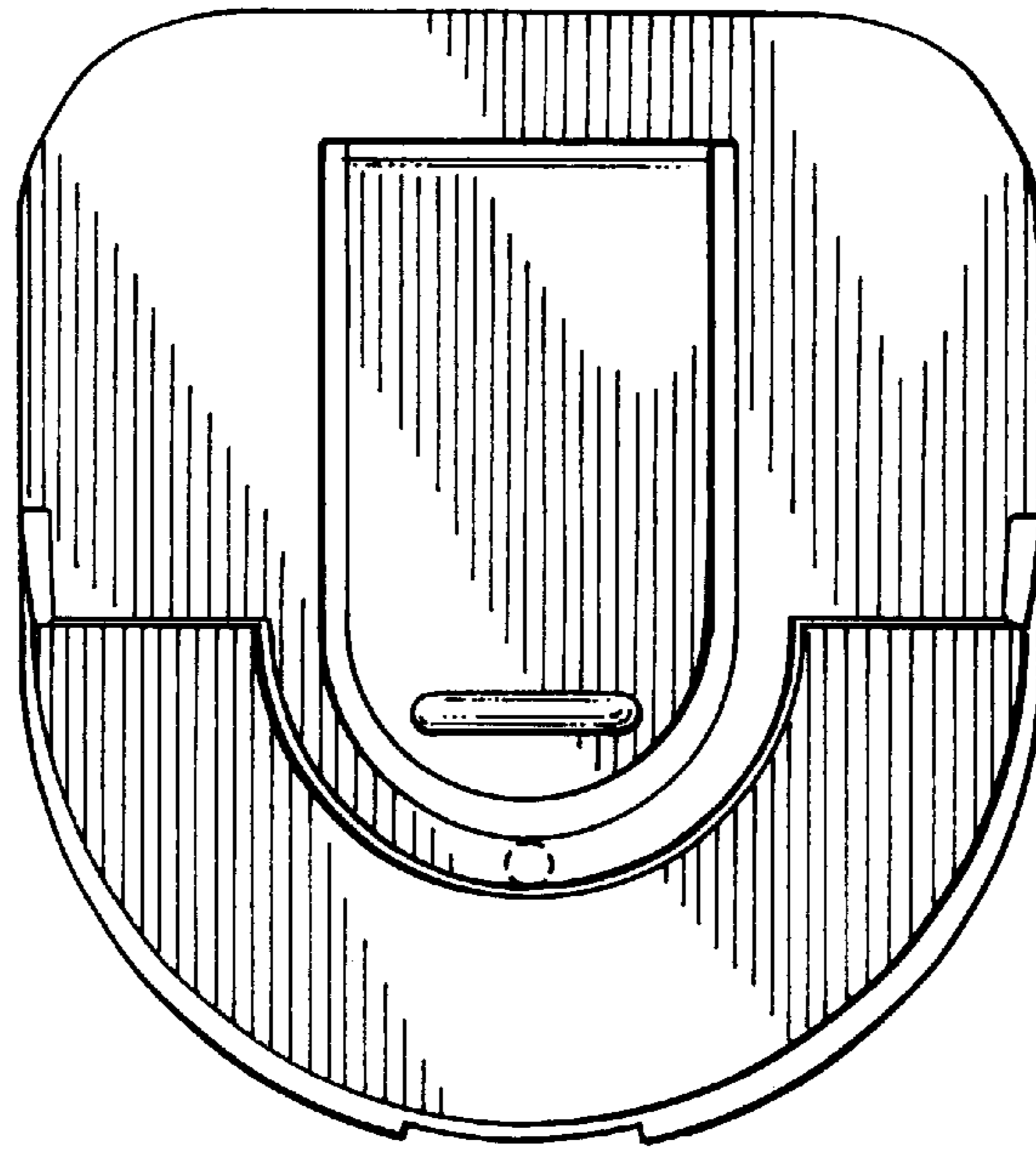
*Fig. 2*



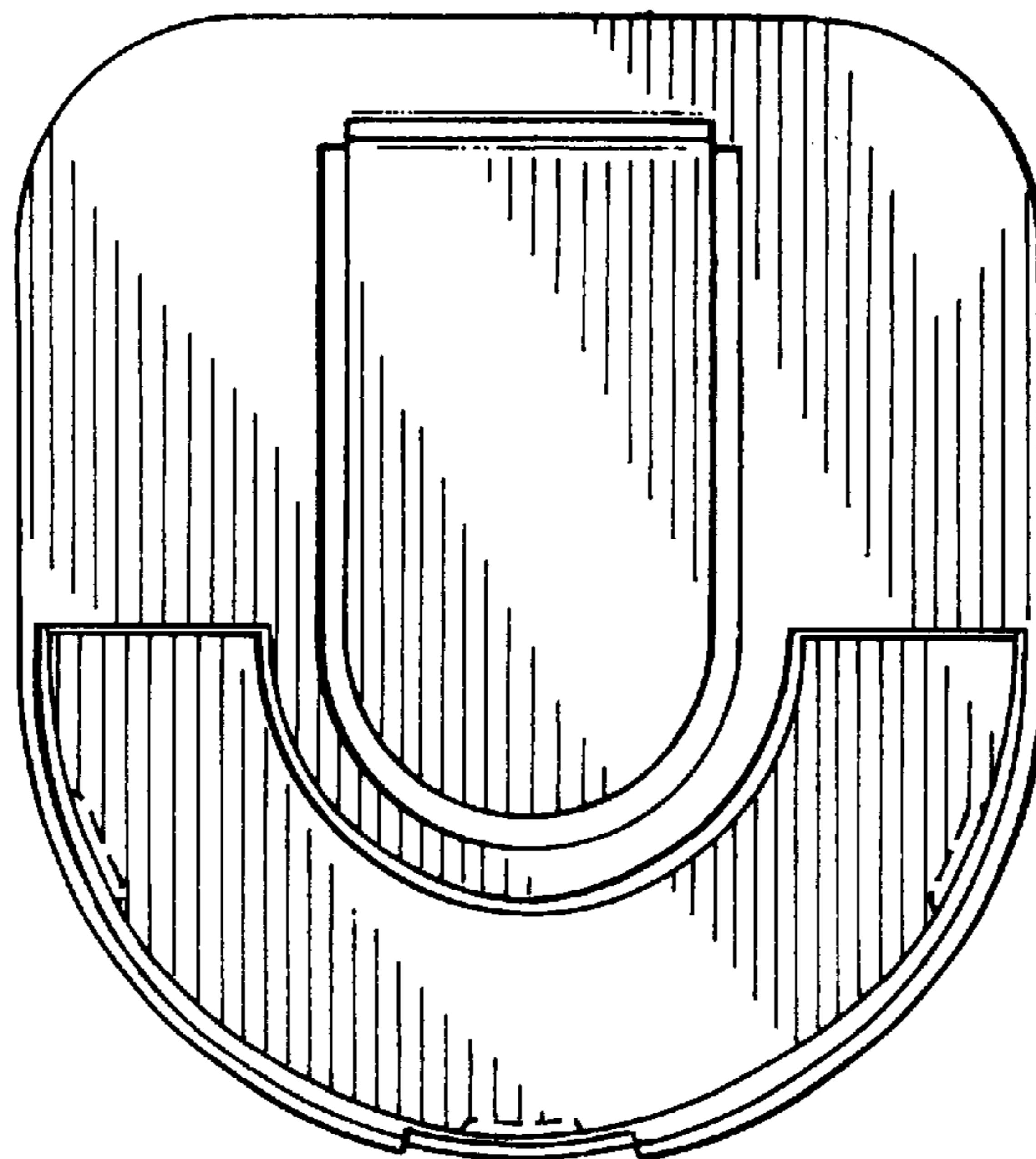
*Fig. 3*



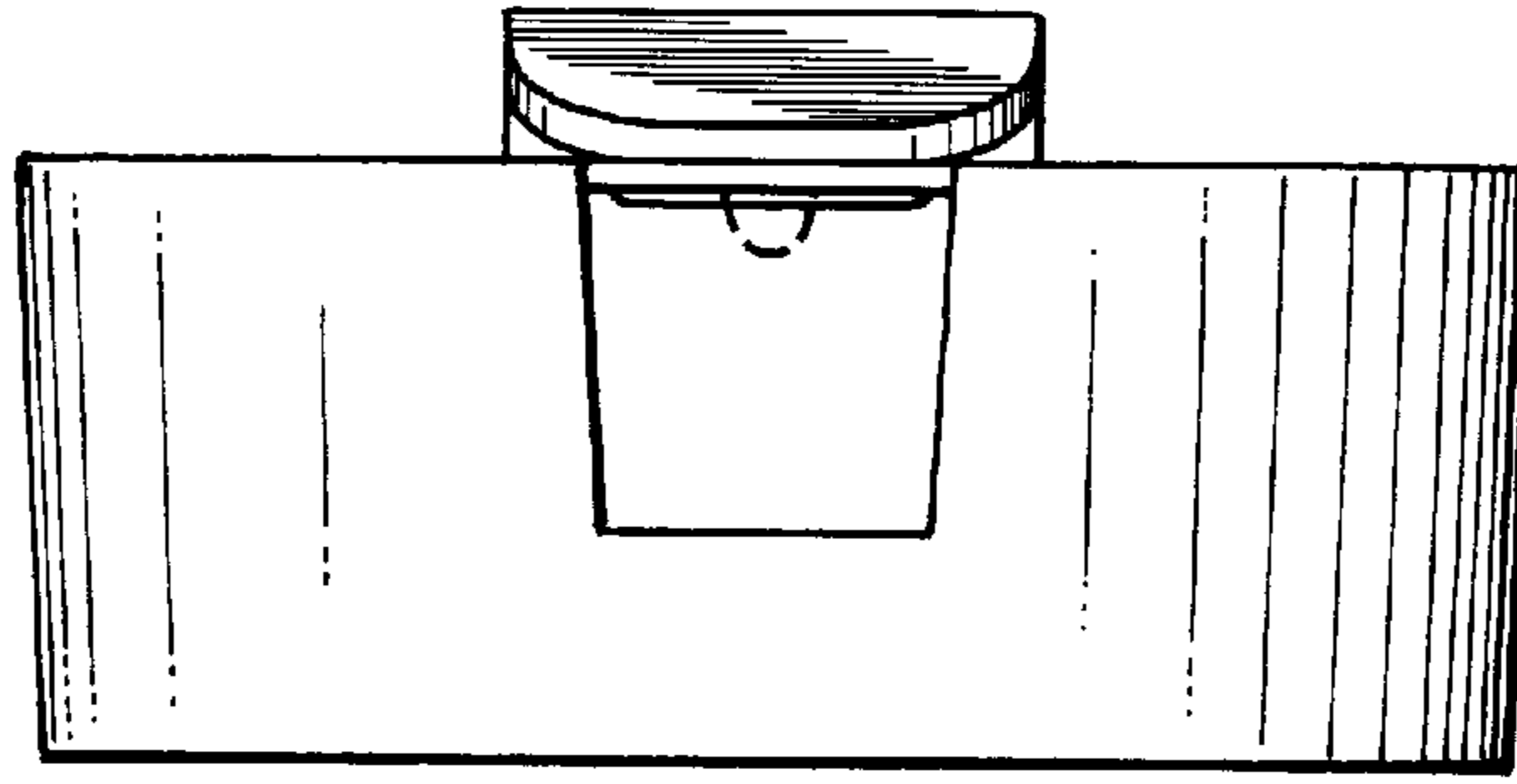
*Fig. 4*



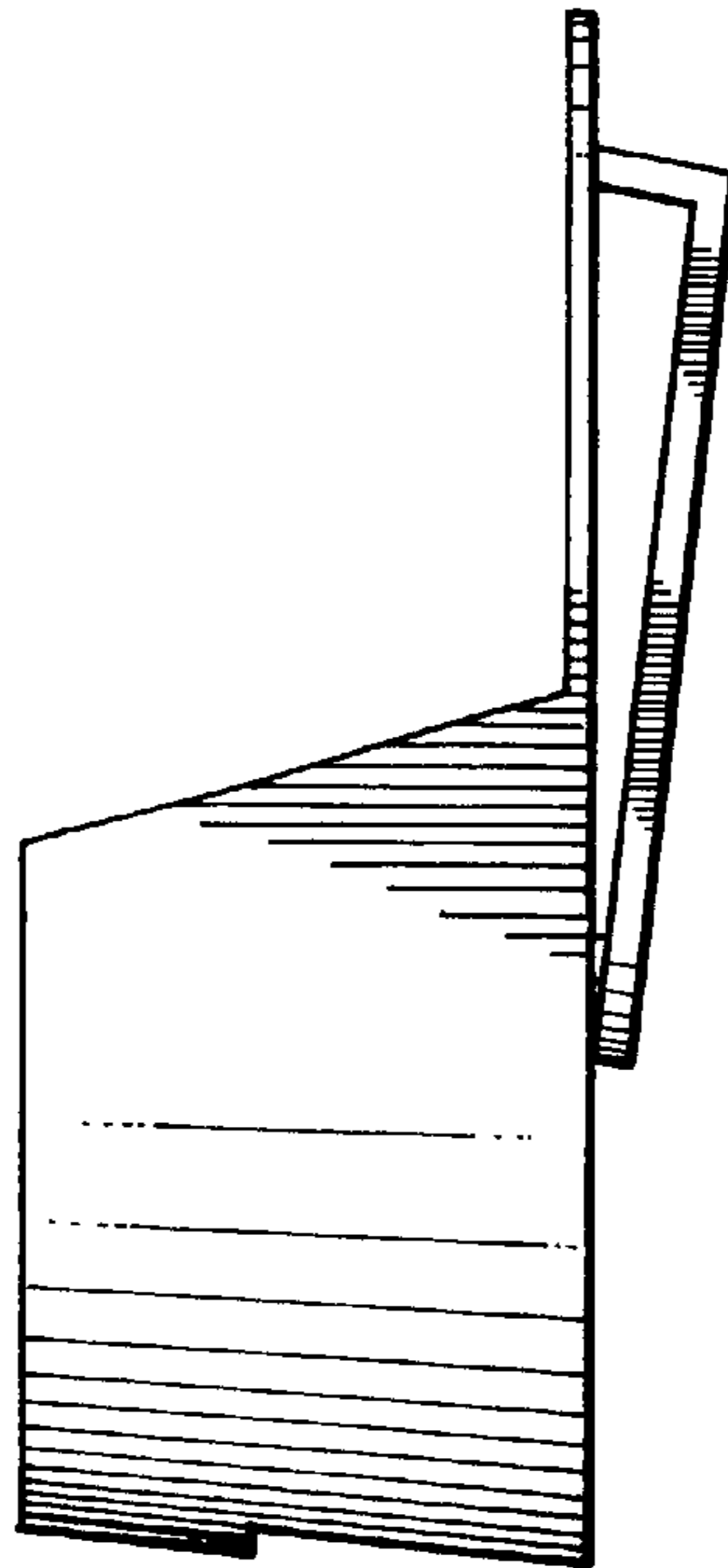
*Fig. 5*



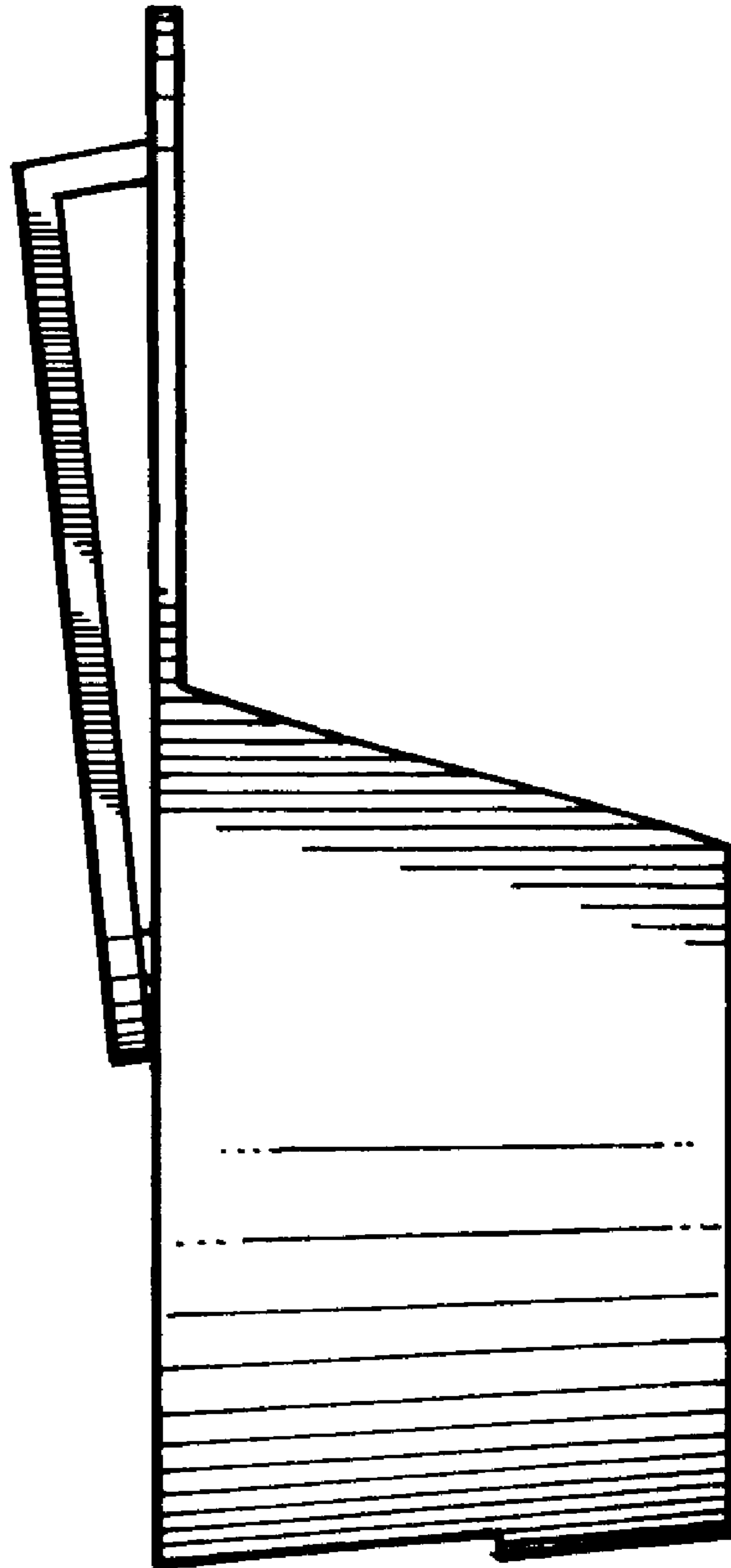
*Fig. 6*



*Fig. 7*



*Fig. 8*



*Fig. 9*