



US00D483917S

(12) **United States Design Patent**
Frantz

(10) **Patent No.:** **US D483,917 S**

(45) **Date of Patent:** **** Dec. 16, 2003**

(54) **PAINTING CONTAINER**

(76) **Inventor:** **Dale A. Frantz**, 1759 Fairfax Rd.,
Toledo, OH (US) 43613

(**) **Term:** **14 Years**

(21) **Appl. No.:** **29/180,327**

(22) **Filed:** **Apr. 21, 2003**

(51) **LOC (7) Cl.** **07-07**

(52) **U.S. Cl.** **D32/53.1**

(58) **Field of Search** D32/53, 53.1;
D9/341, 347, 424, 425; 15/248.1, 257.05,
257.06; 206/505, 518-520, 557, 561; 220/500,
505, 529, 532, 544, 555, 604, 669, 674,
675, 695-697, 699, 735, 736, 771, DIG. 12,
DIG. 13, DIG. 14, 570; 222/465.1

(56) **References Cited**

U.S. PATENT DOCUMENTS

3,671,992 A * 6/1972 Linger 220/699 X
4,927,046 A * 5/1990 Armstrong 220/697
5,341,969 A * 8/1994 Accardo et al. 222/465.1

5,511,279 A * 4/1996 Ippolito 15/257.06
6,138,963 A * 10/2000 Malvasio 220/555 X
D458,723 S * 6/2002 Malvasio D32/53.1

* cited by examiner

Primary Examiner—Alan P. Douglas
Assistant Examiner—Lavone D. Tabor
(74) *Attorney, Agent, or Firm*—MacMillan, Sobanski &
Todd, LLC

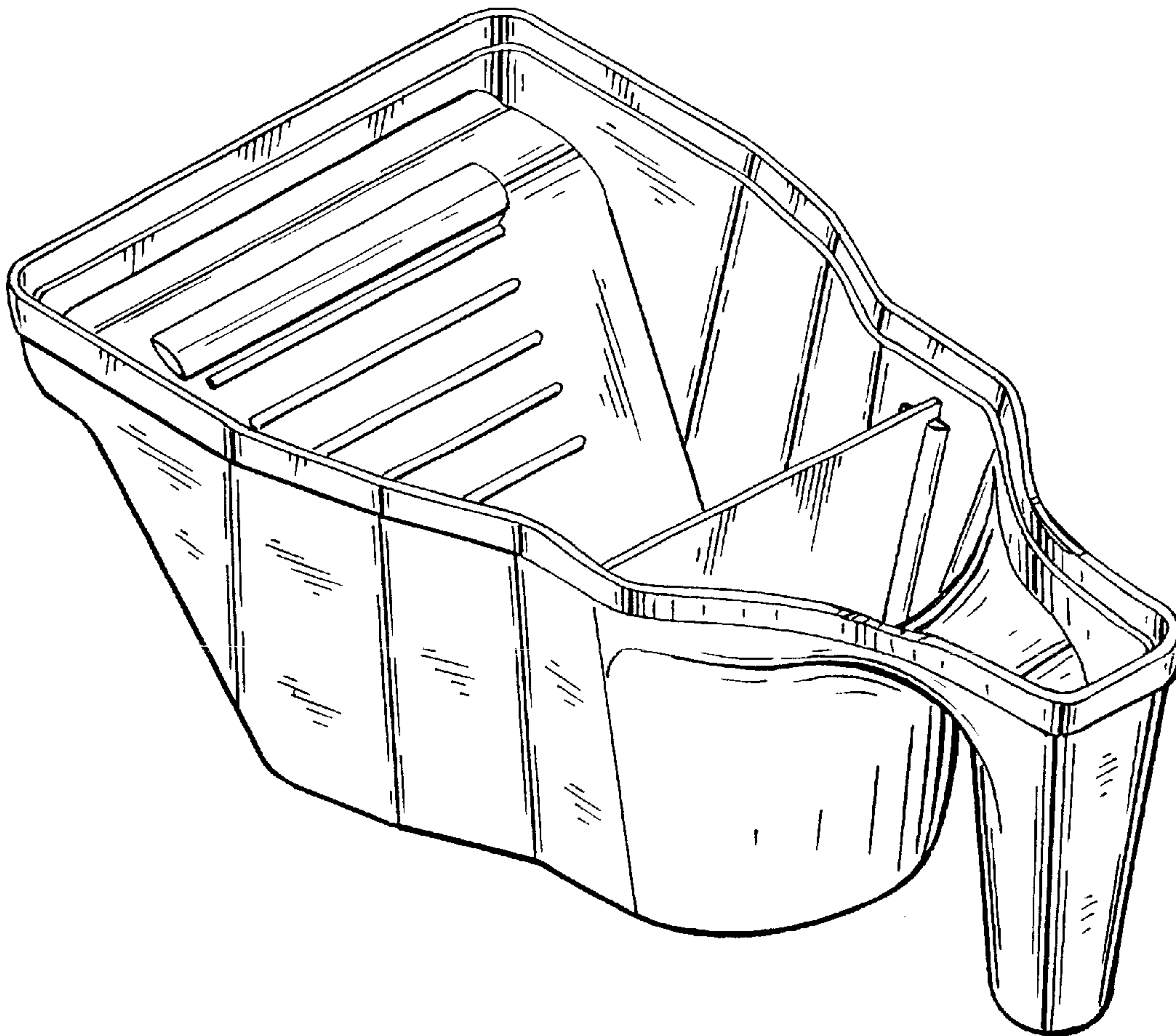
(57) **CLAIM**

I claim the ornamental design for a painting container, as shown and described.

DESCRIPTION

FIG. 1 is a perspective view of the painting container of the present invention;
FIG. 2 is a top plan view thereof;
FIG. 3 is a bottom plan view thereof;
FIG. 4 is a right side elevational view thereof;
FIG. 5 is a left side elevational view thereof;
FIG. 6 is a front elevational view thereof; and,
FIG. 7 is a rear elevational view thereof.

1 Claim, 4 Drawing Sheets



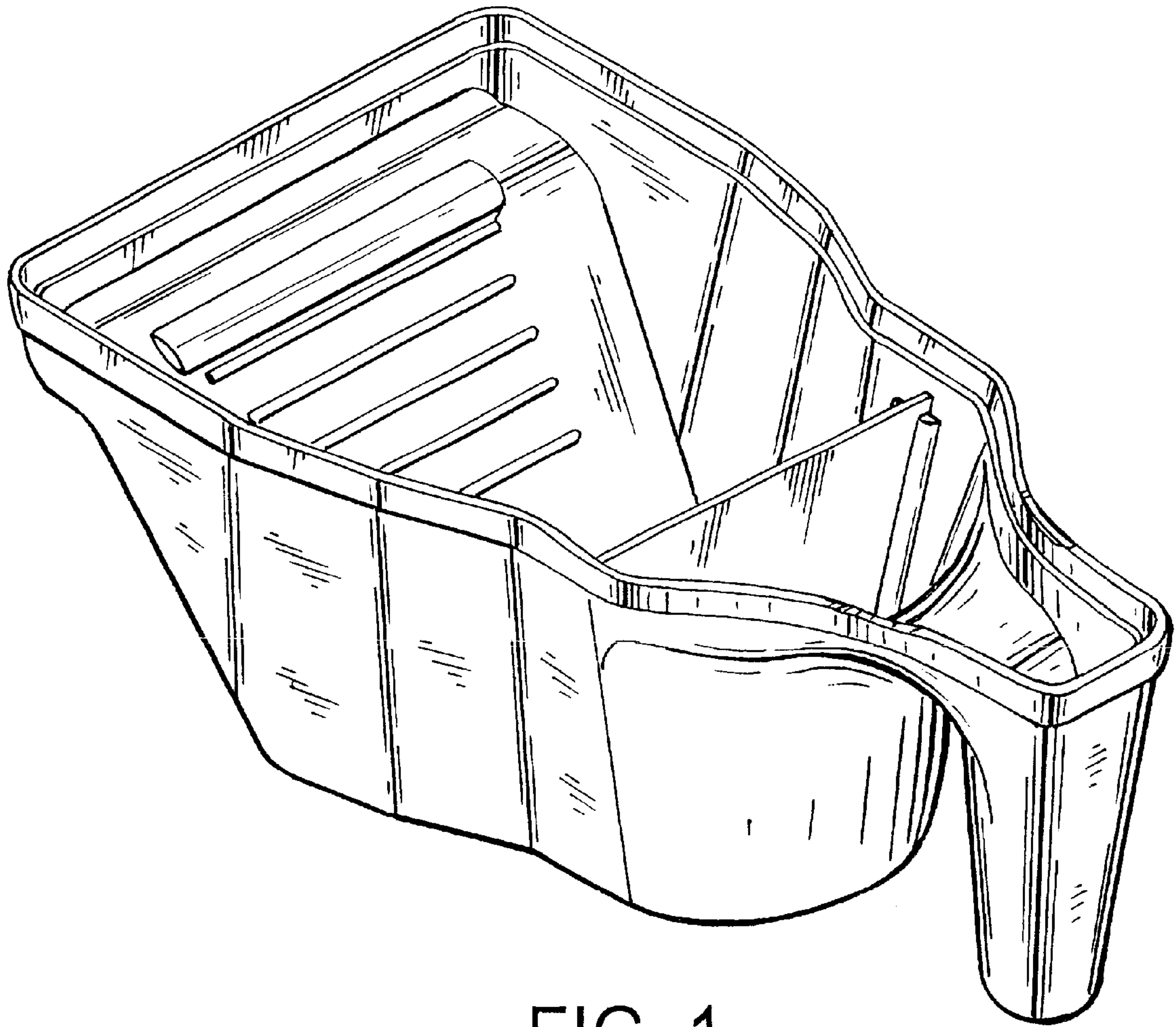


FIG. 1

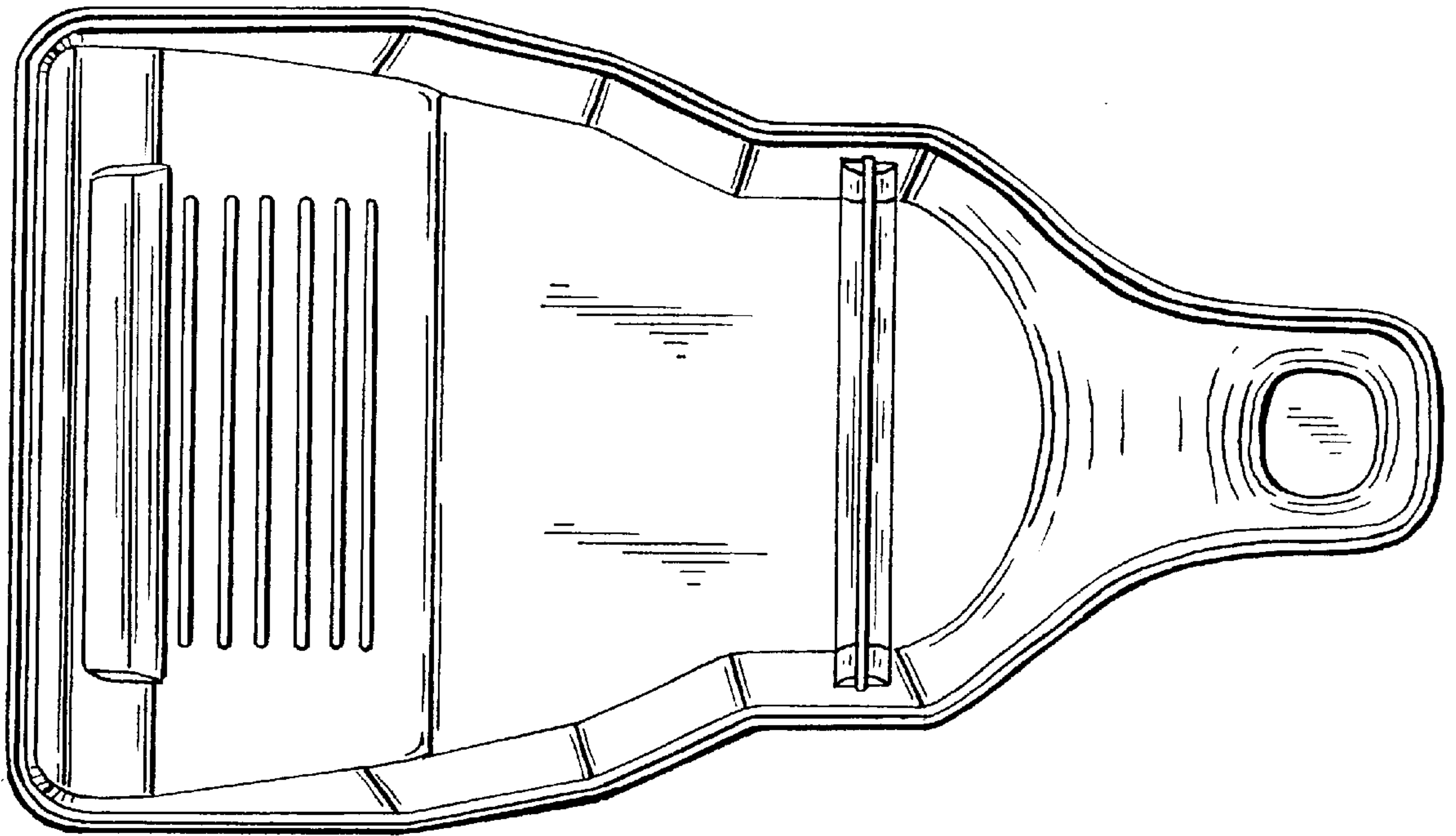


FIG. 2

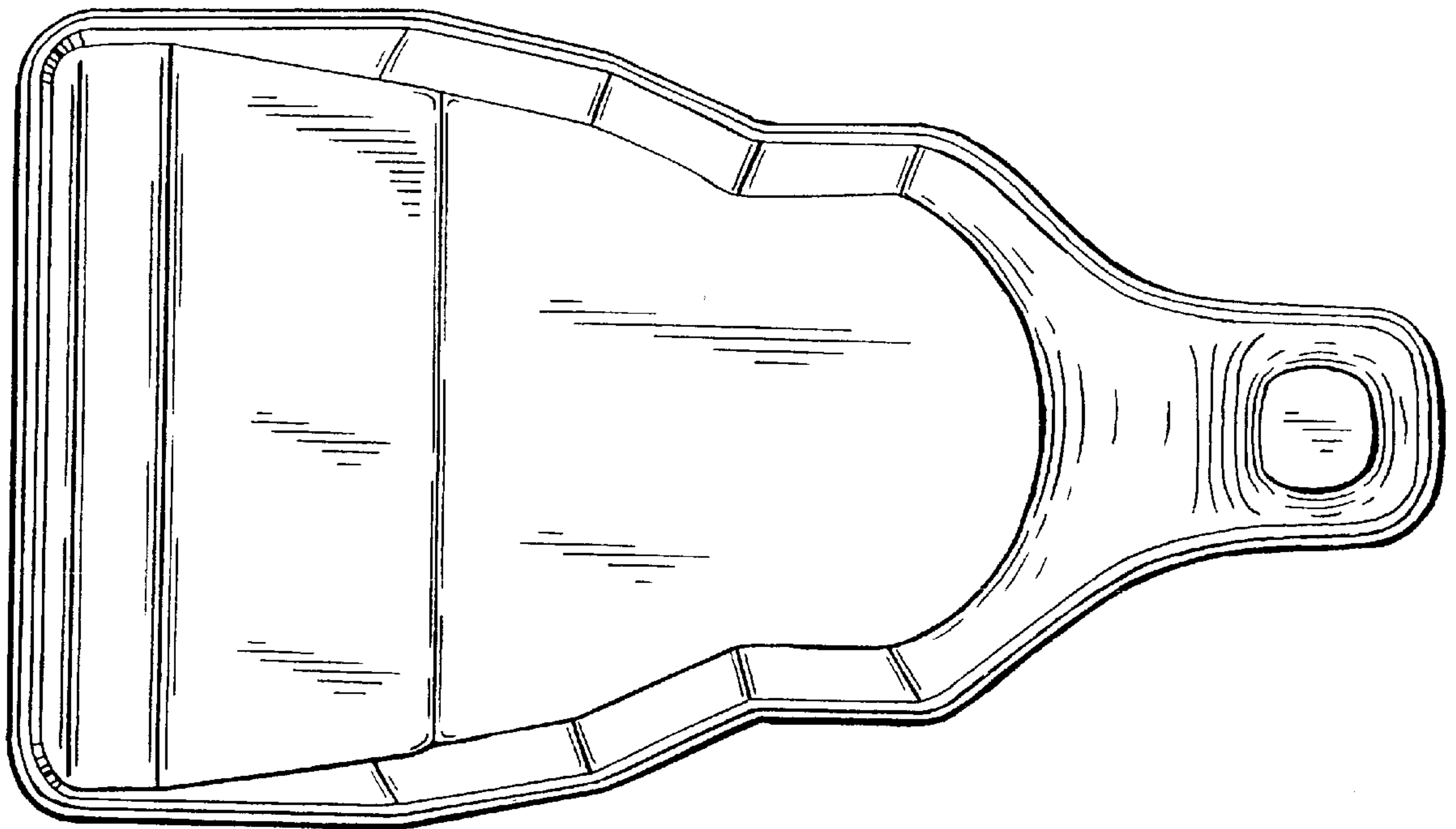


FIG. 3

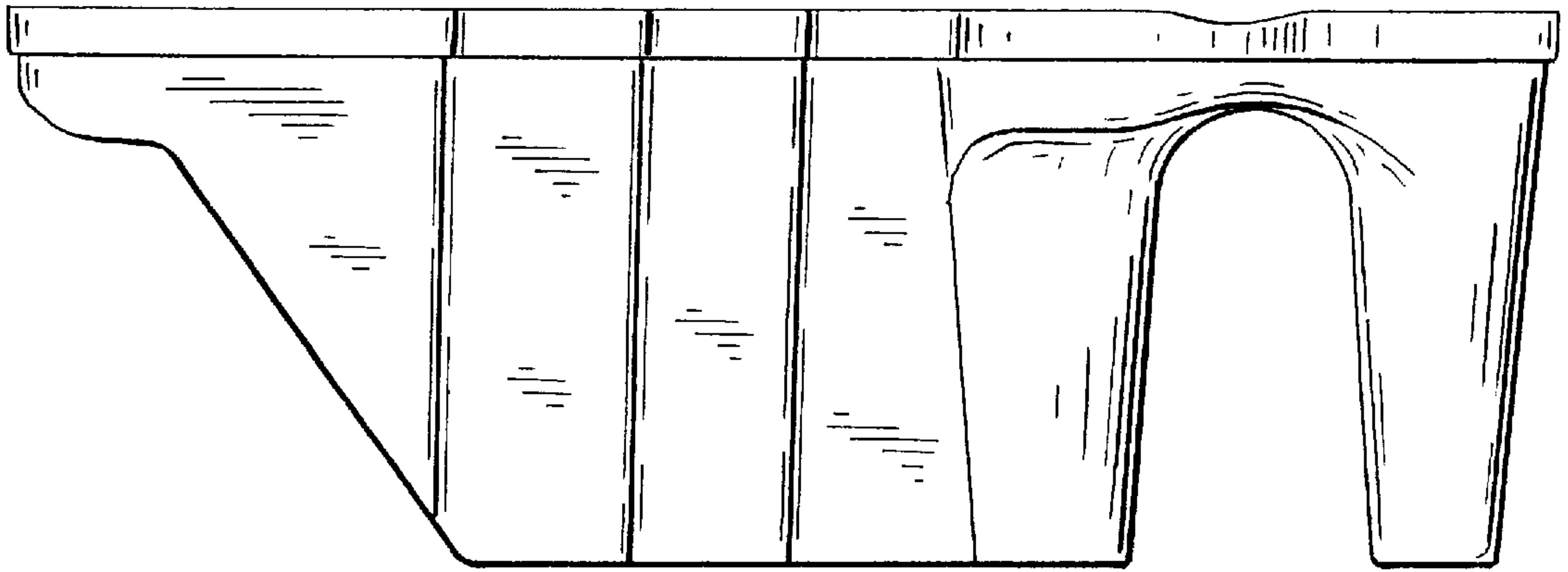


FIG. 4

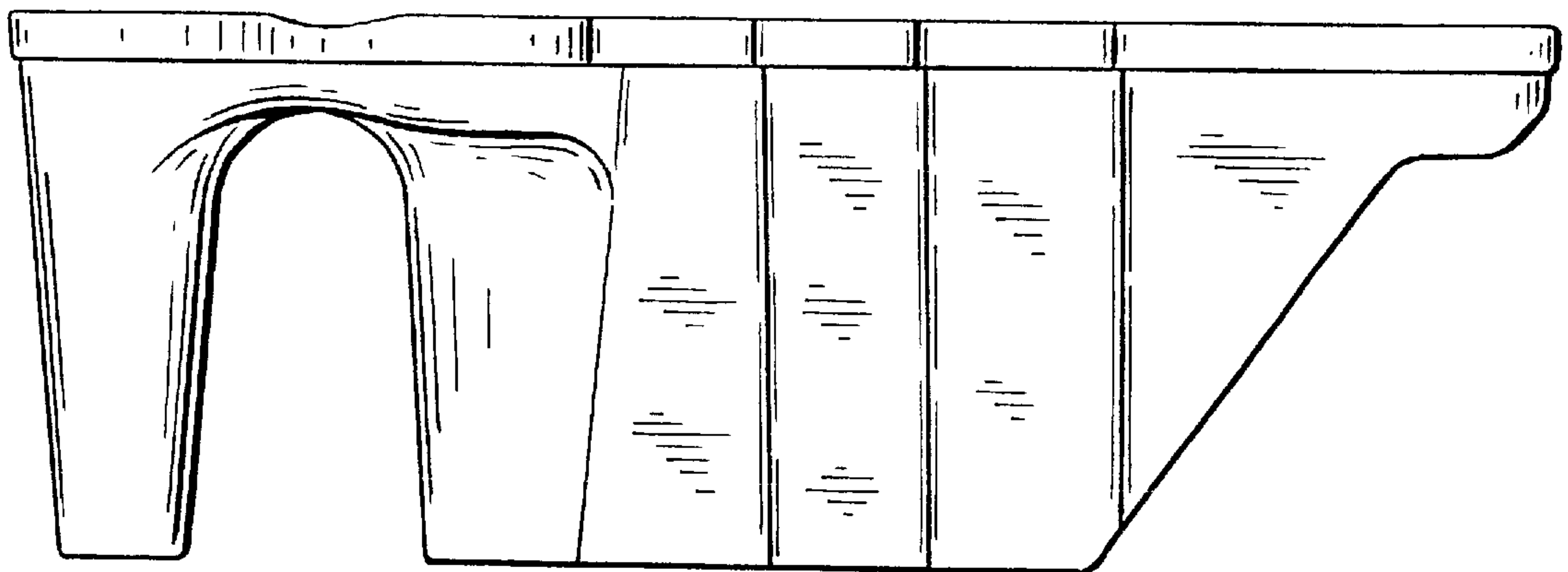


FIG. 5

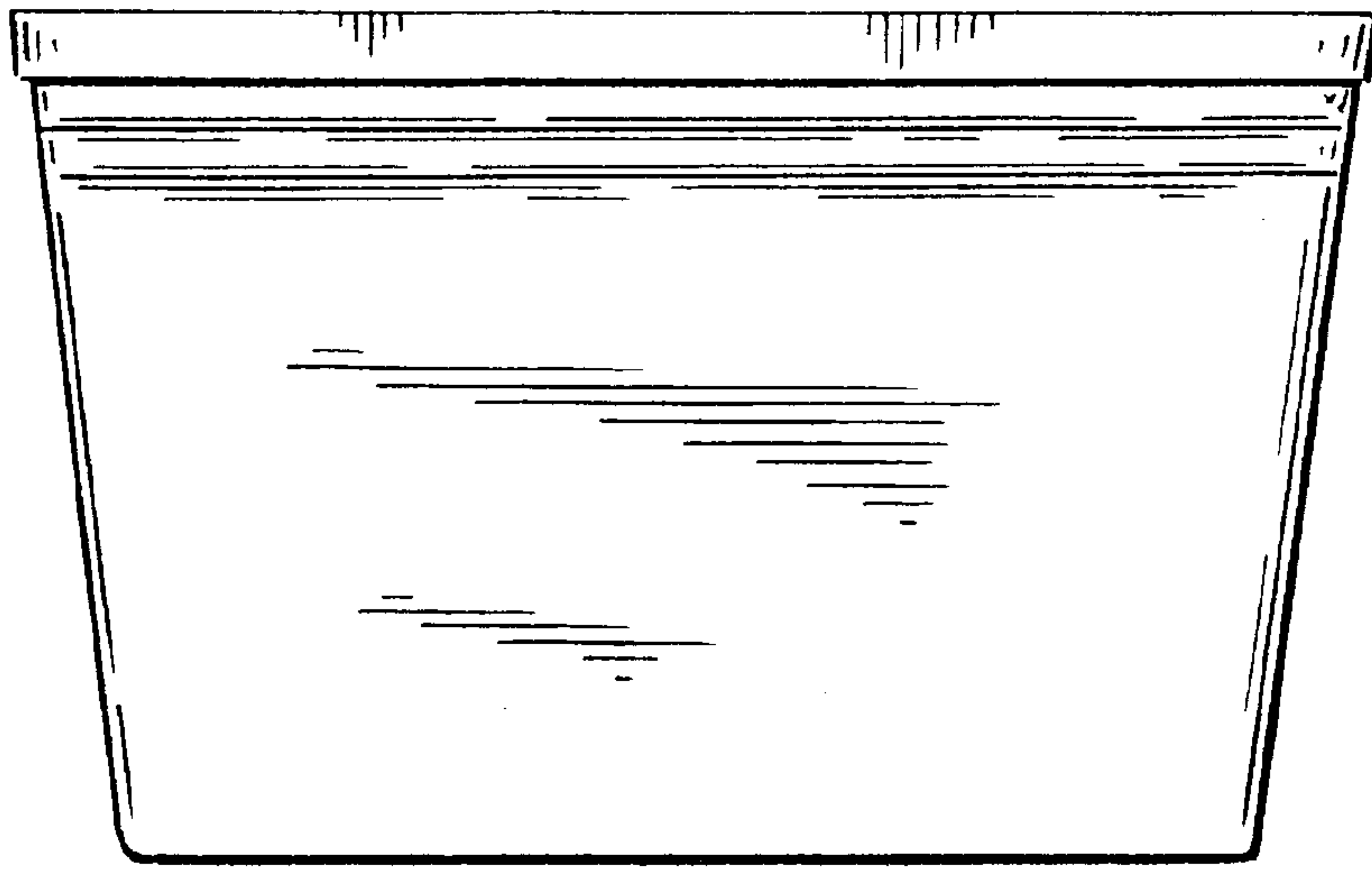


FIG. 6

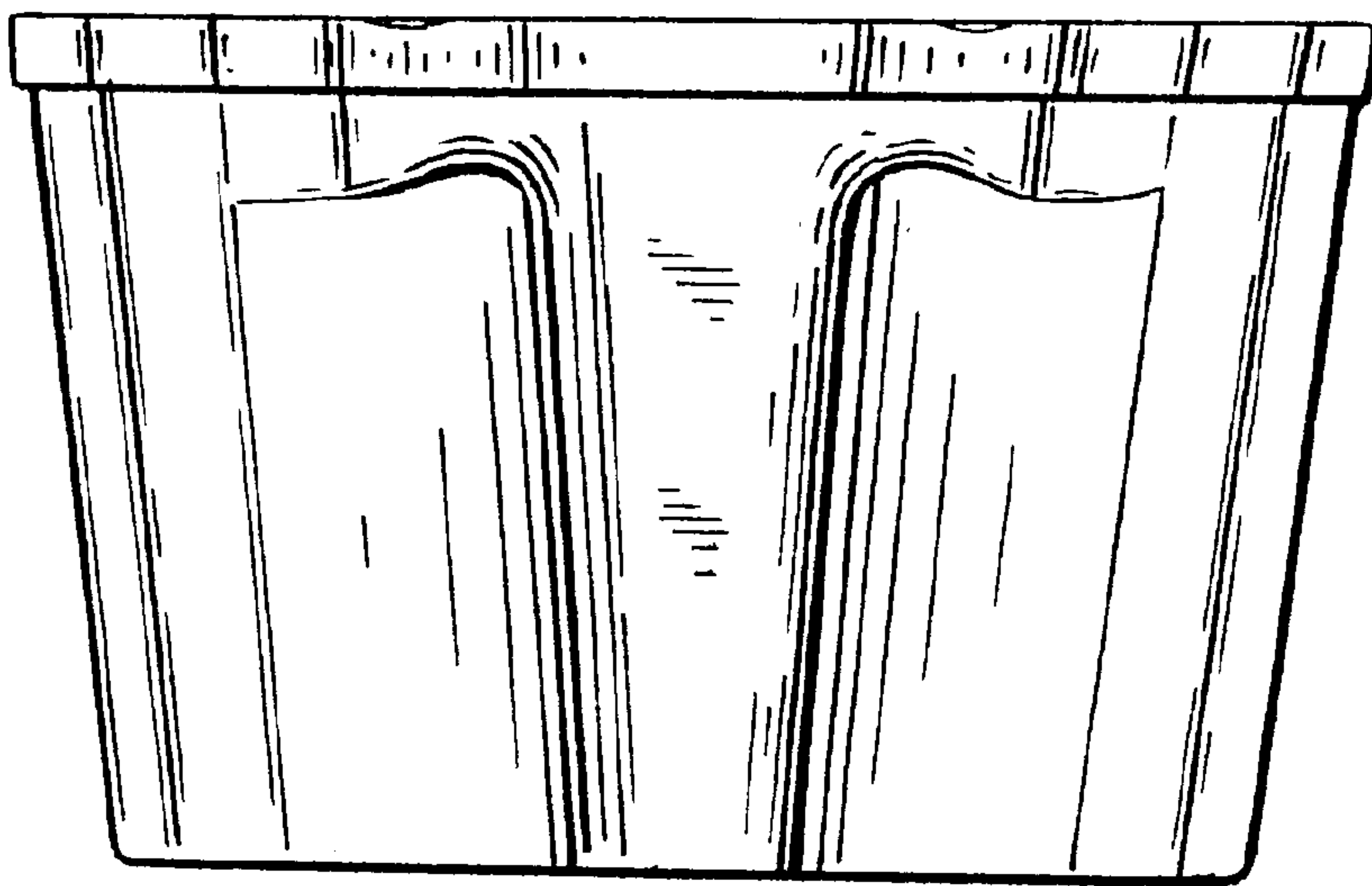


FIG. 7