



US00D483911S

(12) **United States Design Patent**
Prince et al.

(10) **Patent No.:** **US D483,911 S**

(45) **Date of Patent:** **** Dec. 16, 2003**

(54) **MIRRORED CASE**

(75) Inventors: **Michael D. Prince**, Chicago, IL (US);
Tong J. Kim, Chicago, IL (US); **Sona N. Patadia**, Hanover Park, IL (US)

(73) Assignee: **L&N Sales and Marketing, Inc.**,
Hatboro, PA (US)

(**) Term: **14 Years**

(21) Appl. No.: **29/182,280**

(22) Filed: **May 21, 2003**

(51) **LOC (7) Cl.** **28-03**

(52) **U.S. Cl.** **D28/64.1; D28/83**

(58) **Field of Search** D28/64.1-64.4,
D28/64.6, 82, 83; 433/30; 132/301-305;
359/871, 872, 875, 879, 882; D3/251, 275

D315,568 S	3/1991	Dalbo	
D326,226 S	* 5/1992	Gerhart D28/83
5,222,643 A	6/1993	Platt	
D347,589 S	6/1994	LaBate	
5,361,169 A	11/1994	Deal	
5,431,207 A	7/1995	Siegel	
D379,125 S	5/1997	Simjian	
5,775,398 A	7/1998	Siegel	
D399,605 S	10/1998	Metcalf	
D401,019 S	11/1998	Felicetta	
6,002,651 A	12/1999	Baccaray	
D423,723 S	4/2000	Metcalf	
D429,383 S	8/2000	Thorpe	
6,099,133 A	8/2000	Wright	
D435,939 S	1/2001	Thorpe et al.	
6,189,542 B1	2/2001	Shepard	
D439,079 S	3/2001	Freese et al.	
6,206,530 B1	3/2001	Eberts	
D442,371 S	5/2001	Eberts	

FOREIGN PATENT DOCUMENTS

DE 4130034 A 4/1993

* cited by examiner

Primary Examiner—Jennifer Rivard
(74) *Attorney, Agent, or Firm*—Drinker Biddle & Reath LLP

(57) **CLAIM**

The ornamental design for a mirrored case, as shown and described.

DESCRIPTION

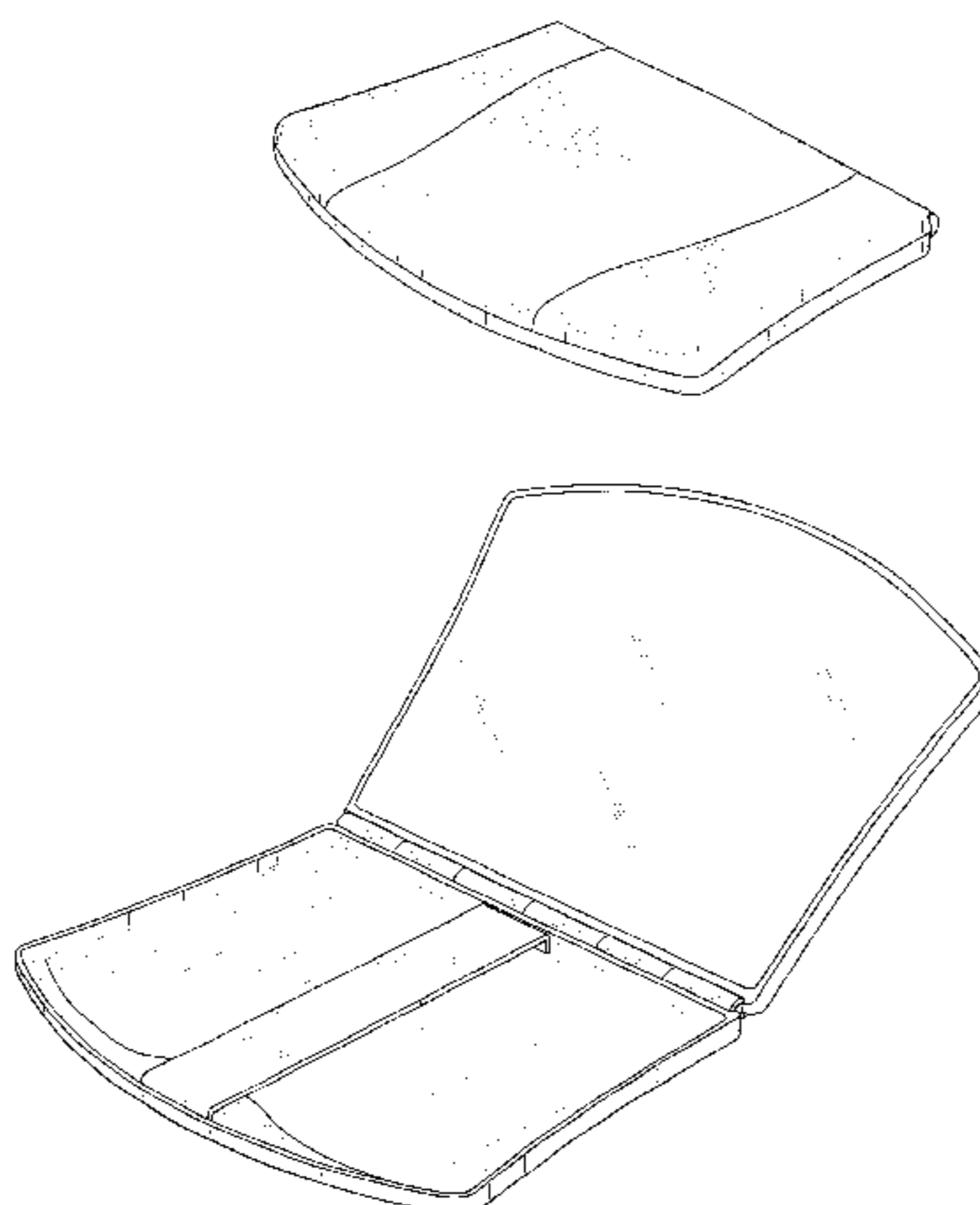
FIG. 1 is front perspective view of a mirrored case showing our new design;
FIG. 2 is a front view thereof, the rear view being identical;
FIG. 3 is a top plan view of the mirrored case shown in FIG. 1;
FIG. 4 is a bottom plan view thereof;
FIG. 5 is a left side elevational view thereof, the right side elevational view being identical; and,
FIG. 6 is a perspective view of the mirrored case shown in FIG. 1 with the case in an open position.

1 Claim, 4 Drawing Sheets

(56) **References Cited**

U.S. PATENT DOCUMENTS

D55,277 S	5/1920	Kominkiewicz	
1,584,205 A	5/1926	Zaldo	
1,609,481 A	12/1926	McCarthy et al.	
D79,071 S	7/1929	Gebauer	
1,982,248 A	11/1934	Gebhardt	
1,989,437 A	1/1935	Weisz	
2,235,281 A	3/1941	Carver	
2,265,094 A	12/1941	Wolfe	
D146,364 S	2/1947	Kalil	
D155,096 S	9/1949	MacWilliams	
D157,639 S	3/1950	Shea	
3,598,987 A	8/1971	Kipping	
4,067,535 A	1/1978	Rose	
D262,494 S	12/1981	Pokorny	
D267,983 S	* 2/1983	Cheung D28/64.1
D275,900 S	10/1984	Spector	
D278,558 S	4/1985	Shenken et al.	
4,556,299 A	12/1985	Silver	
4,639,102 A	* 1/1987	Fetko et al. D28/64.1
4,682,310 A	7/1987	Lund et al.	
4,860,989 A	8/1989	Rose et al.	
4,933,822 A	6/1990	NakaMats	
4,950,065 A	8/1990	Wyman	



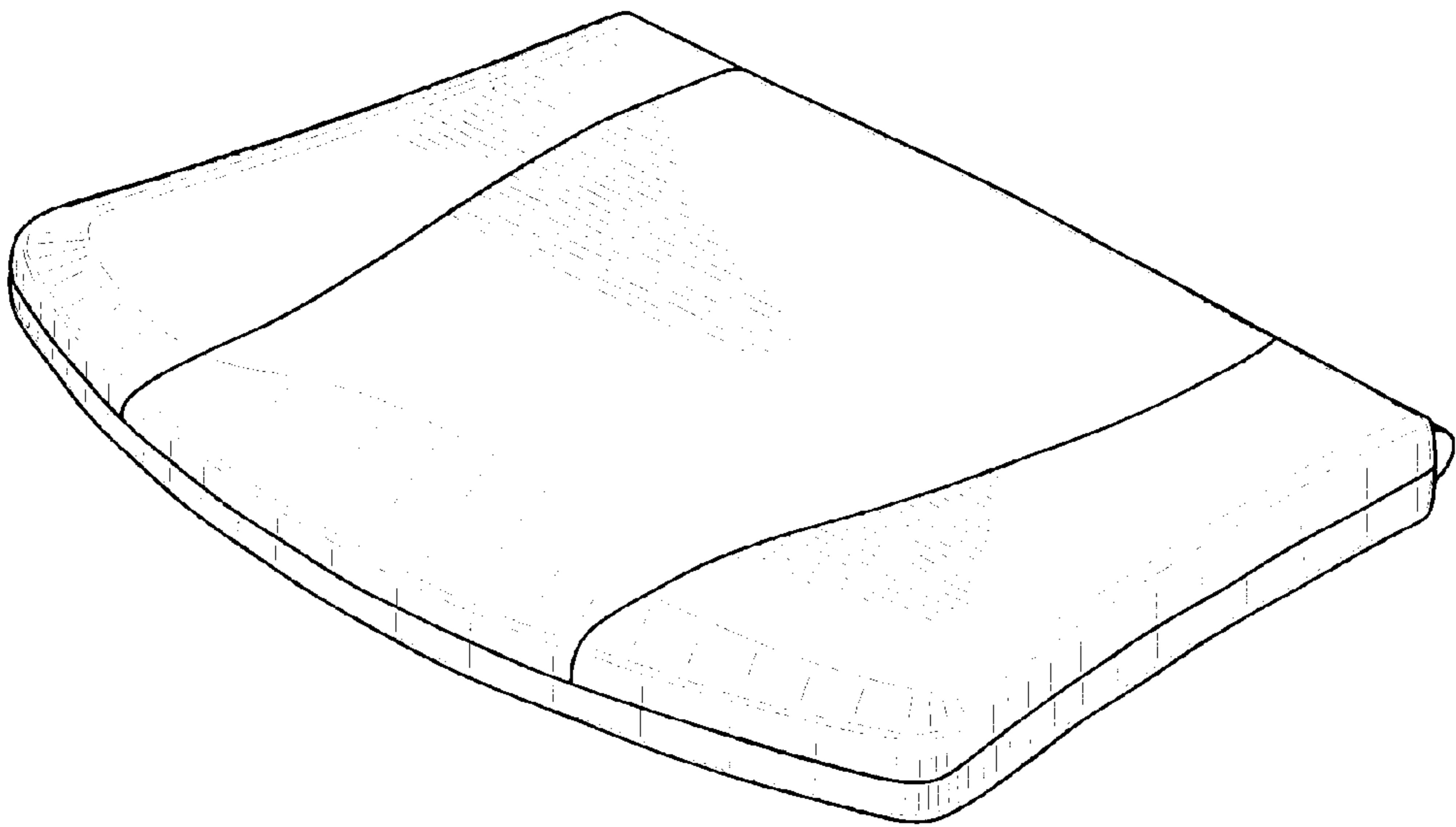


FIG. 1

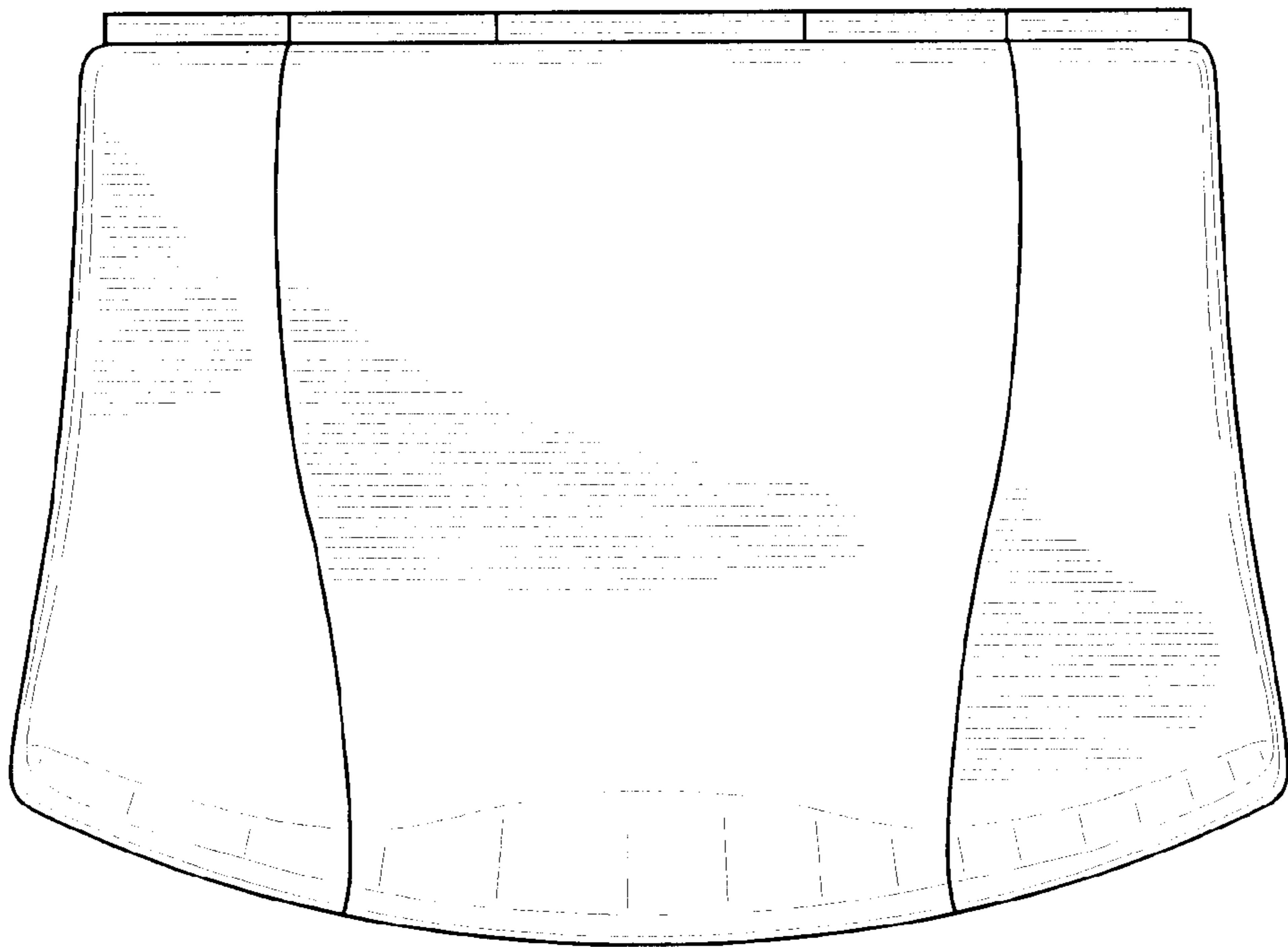


FIG. 2

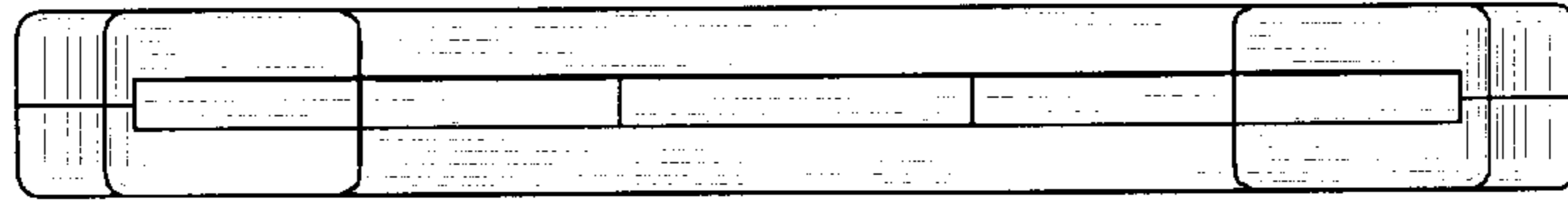


FIG. 3

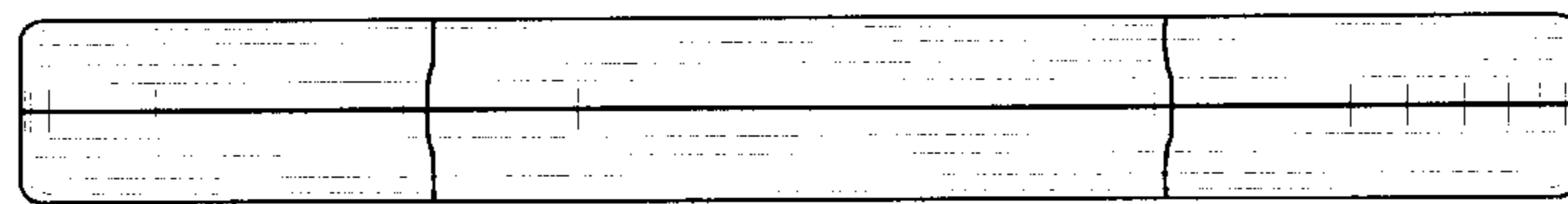


FIG. 4

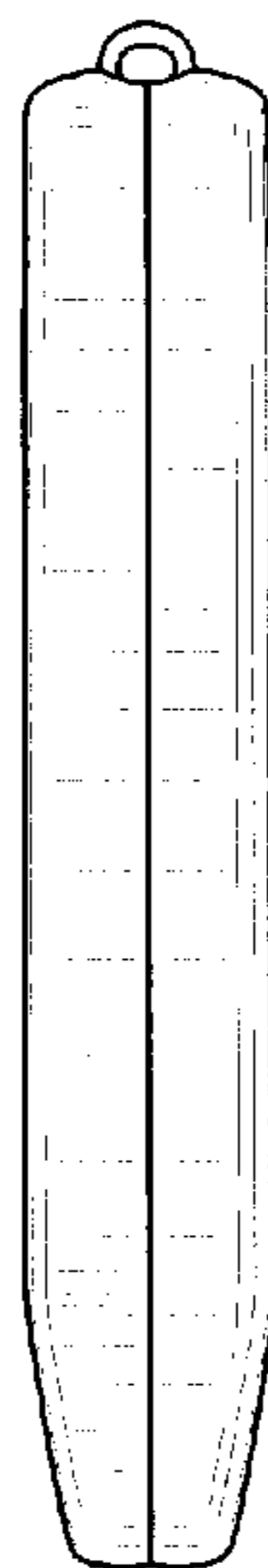


FIG. 5

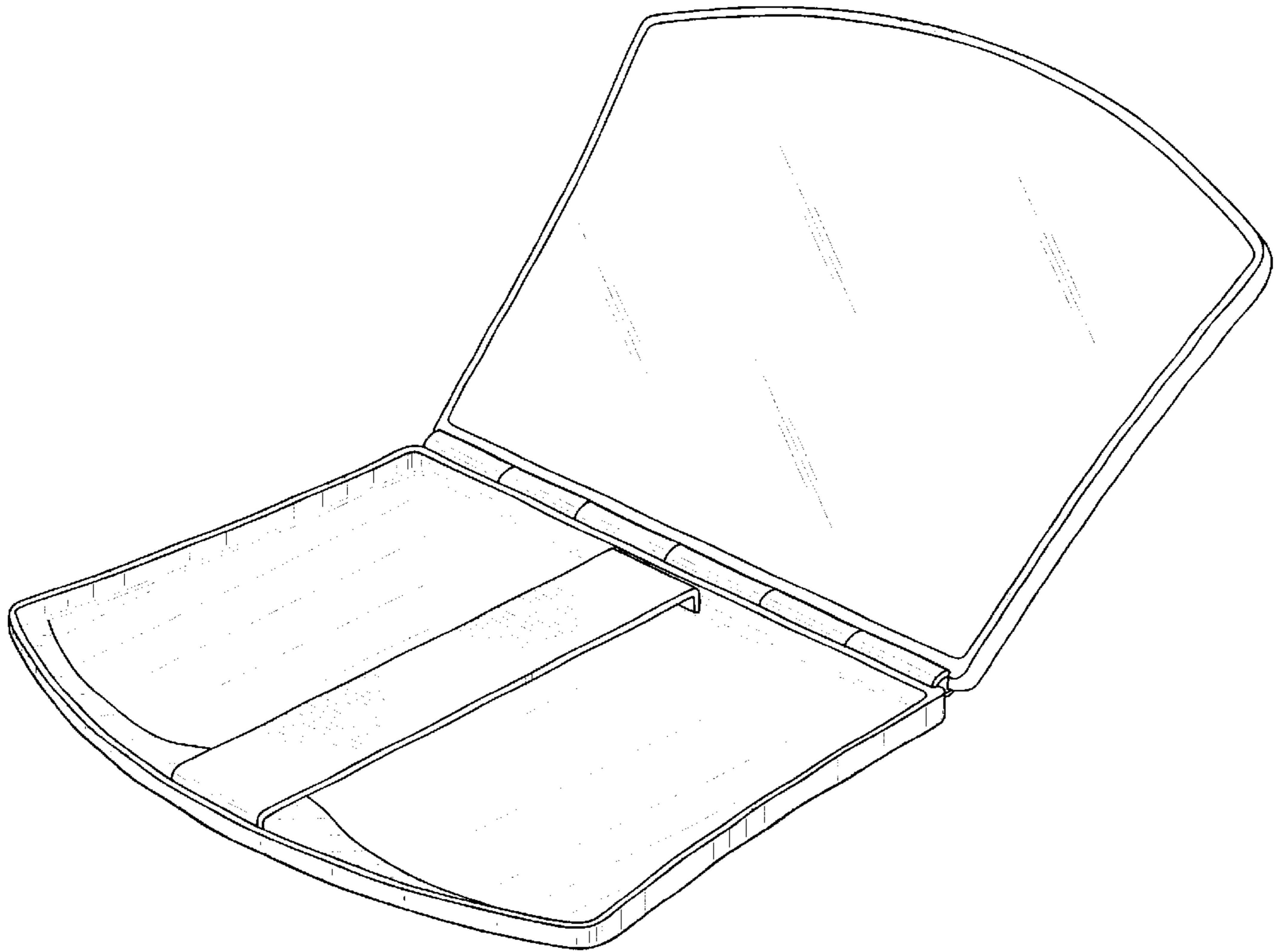


FIG. 6