



US00D483907S

(12) **United States Design Patent**  
**Chandler**

(10) **Patent No.:** **US D483,907 S**

(45) **Date of Patent:** **\*\* Dec. 16, 2003**

(54) **WALL SCONCE SUPPORT**

(75) Inventor: **George B. Chandler**, Hubbardton, VT  
(US)

(73) Assignee: **Hubbardton Forge**, Castleton, VT  
(US)

(\*\*) Term: **14 Years**

(21) Appl. No.: **29/177,419**

(22) Filed: **Mar. 10, 2003**

(51) **LOC (7) Cl.** ..... **26-99**

(52) **U.S. Cl.** ..... **D26/155**

(58) **Field of Search** ..... D6/495; D26/113,  
D26/118, 138, 145, 155, 153; D25/131;  
362/432, 431

(56) **References Cited**

**U.S. PATENT DOCUMENTS**

D30,344 S	*	3/1899	Turner	.....	D6/495
D359,813 S	*	6/1995	Hoffman et al.	.....	D25/131
D445,949 S	*	7/2001	Dolan	.....	D26/155

\* cited by examiner

*Primary Examiner*—Jennifer Rivard

(74) *Attorney, Agent, or Firm*—Burr & Brown

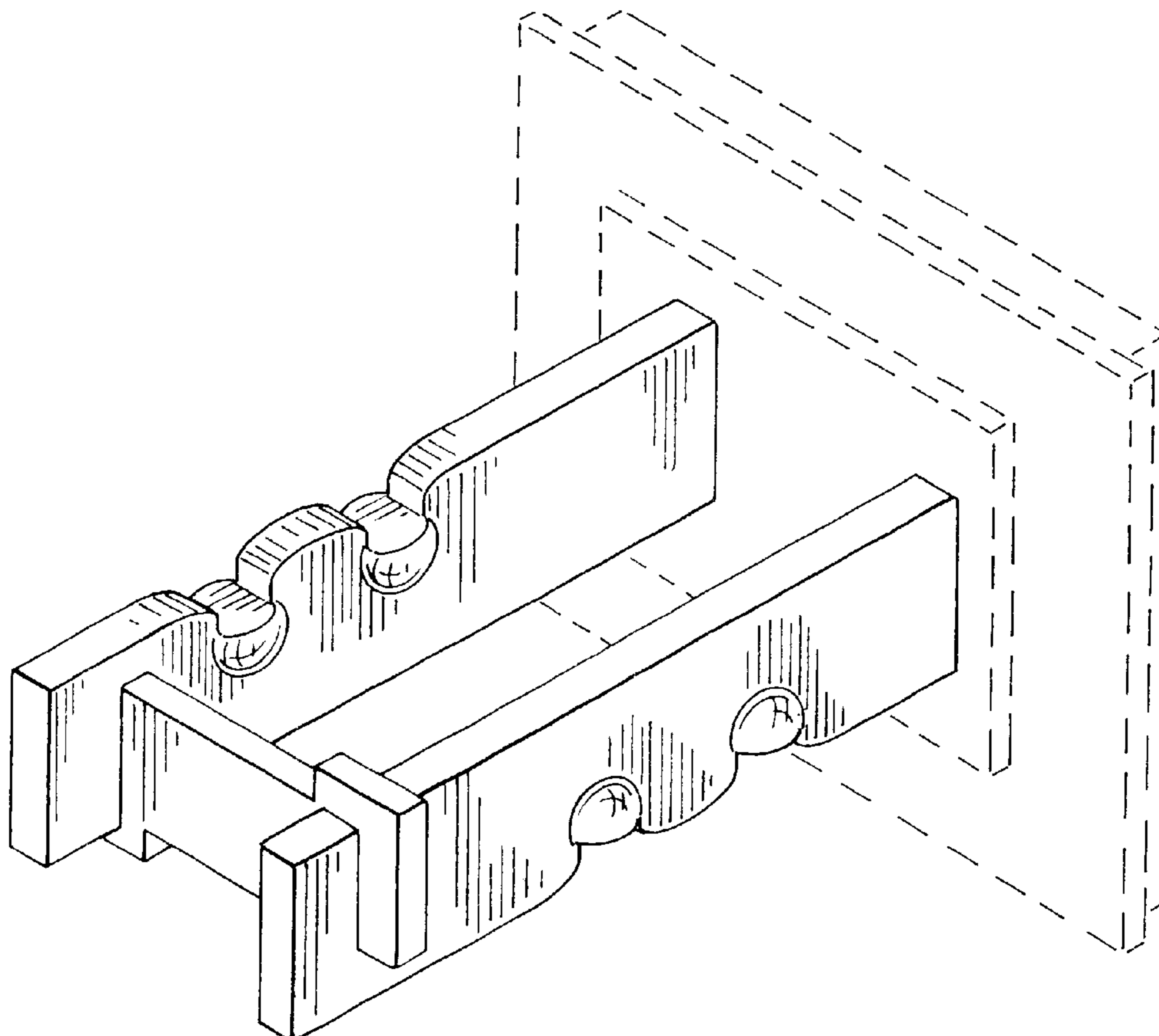
(57) **CLAIM**

The ornamental design for a wall sconce support, as shown and described.

**DESCRIPTION**

FIG. 1 is a perspective view of the wall sconce support in accordance with a first embodiment of my new design; FIG. 2 is a left side view thereof; FIG. 3 is a front view thereof, the rear view being a mirror image thereof; FIG. 4 is a right side view thereof; FIG. 5 is a top view thereof; FIG. 6 is a bottom view thereof; FIG. 7 is a front view of the wall sconce support in accordance with a second embodiment of my new design, the rear view of the second embodiment being a mirror image thereof, the right side view of the second embodiment being a mirror image of FIG. 2, the left side view of the second embodiment being a mirror image of FIG. 4, the top view of the second embodiment being a mirror image of FIG. 5, the bottom view of the second embodiment being a mirror image of FIG. 6; and, FIG. 8 is a perspective view of the second embodiment. The portions shown in broken lines are for illustrative purposes only and form no part of the claimed design.

**1 Claim, 6 Drawing Sheets**



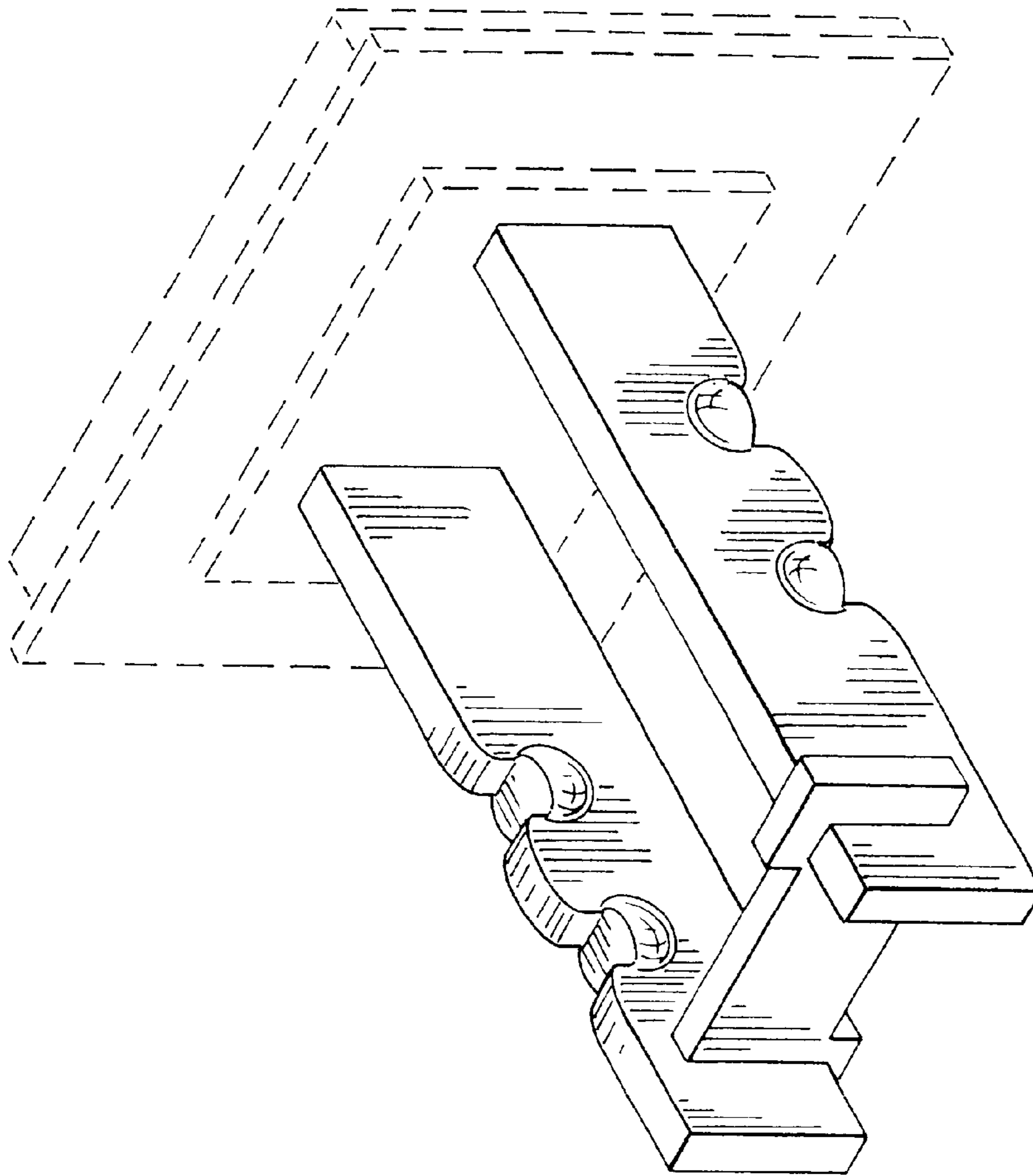


Fig. 1

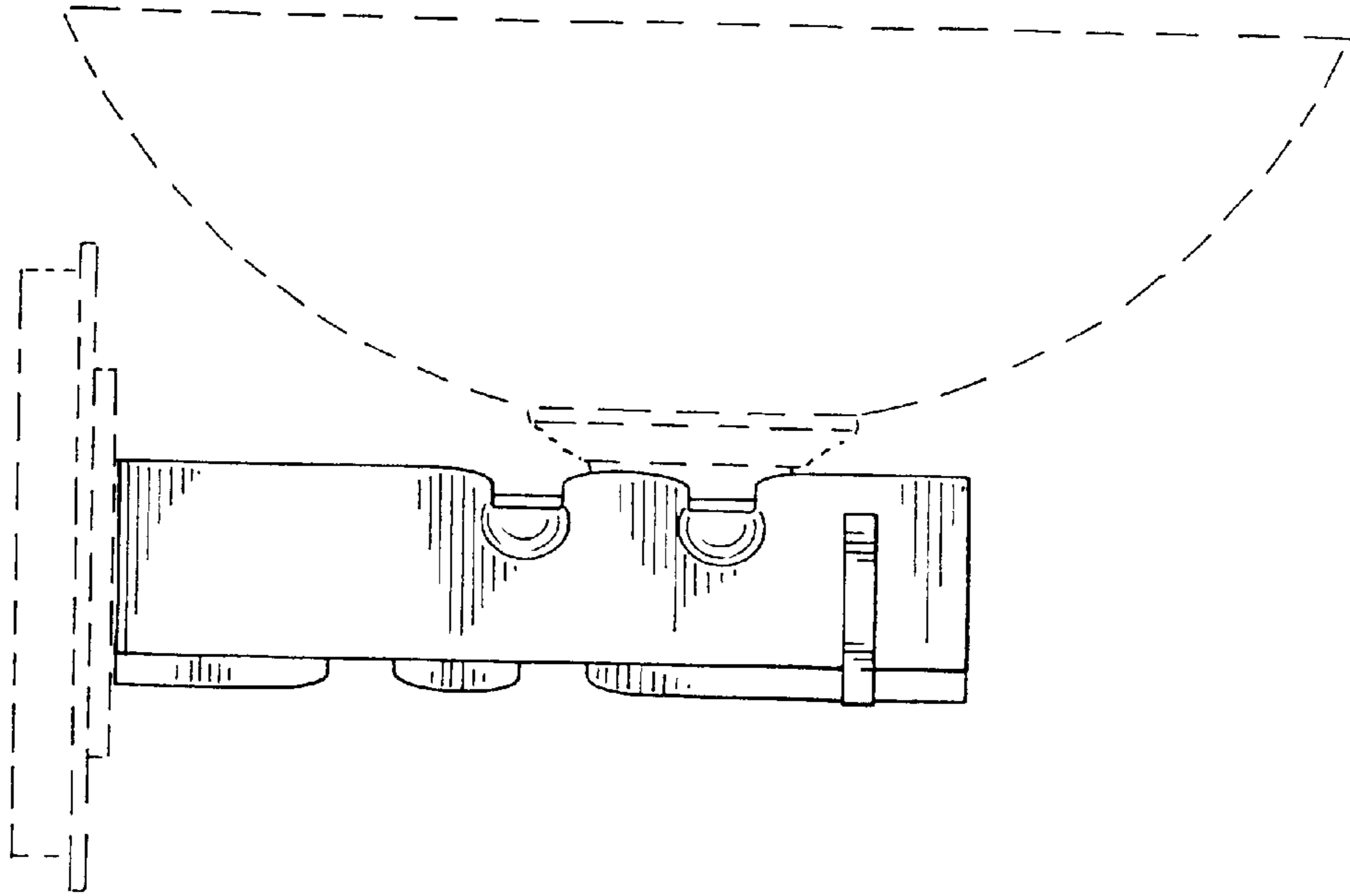


Fig. 2

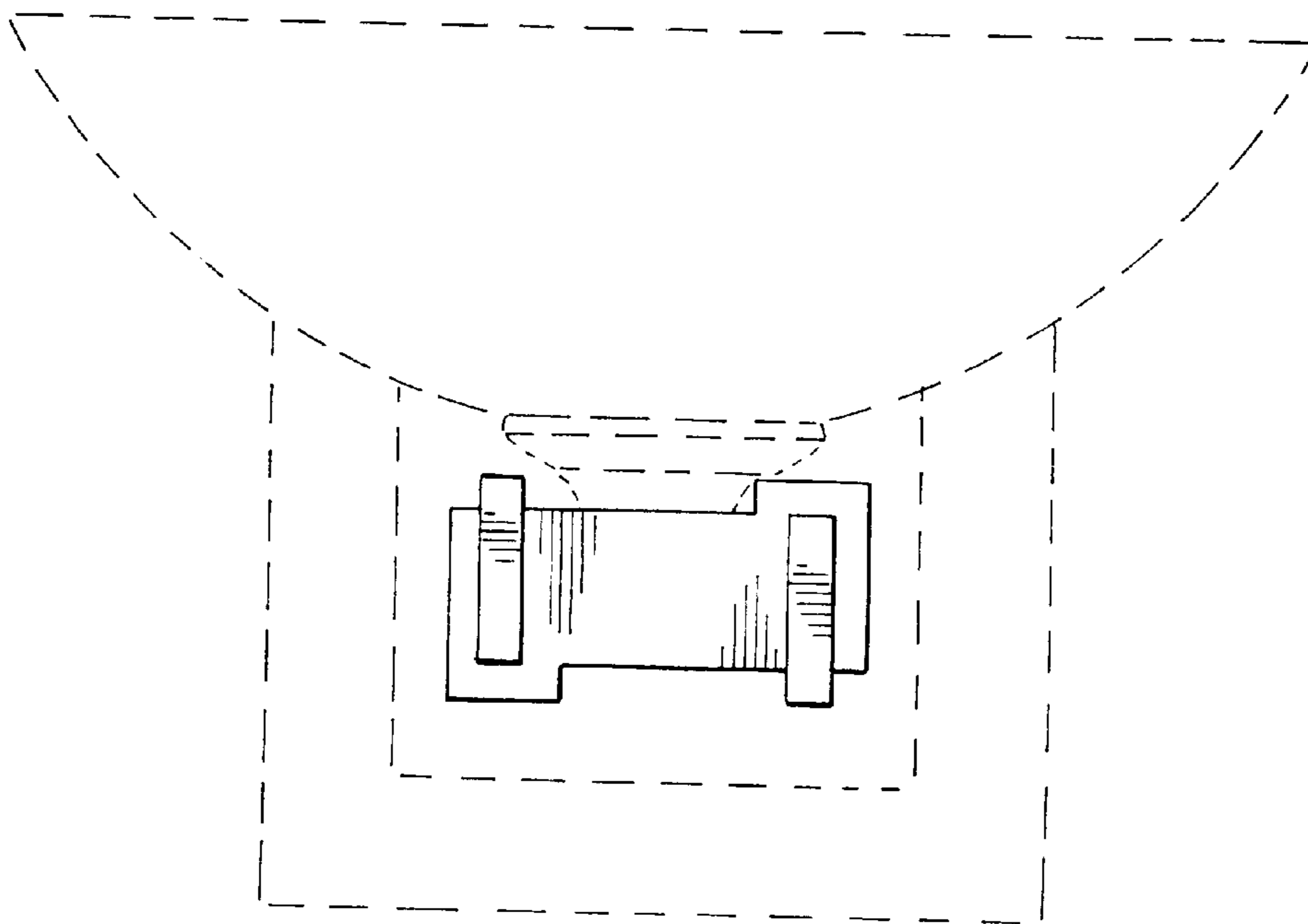


Fig. 3

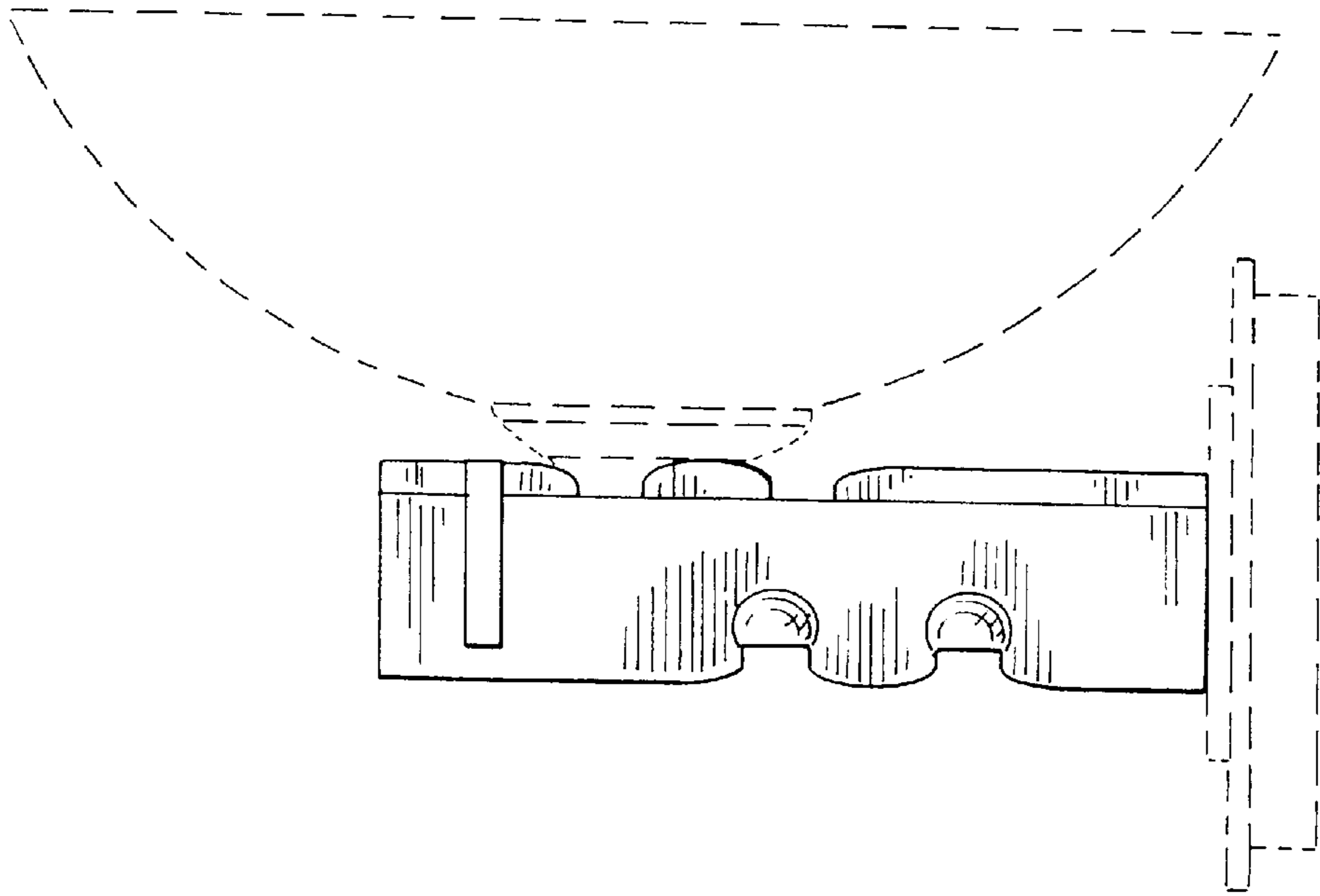


Fig. 4

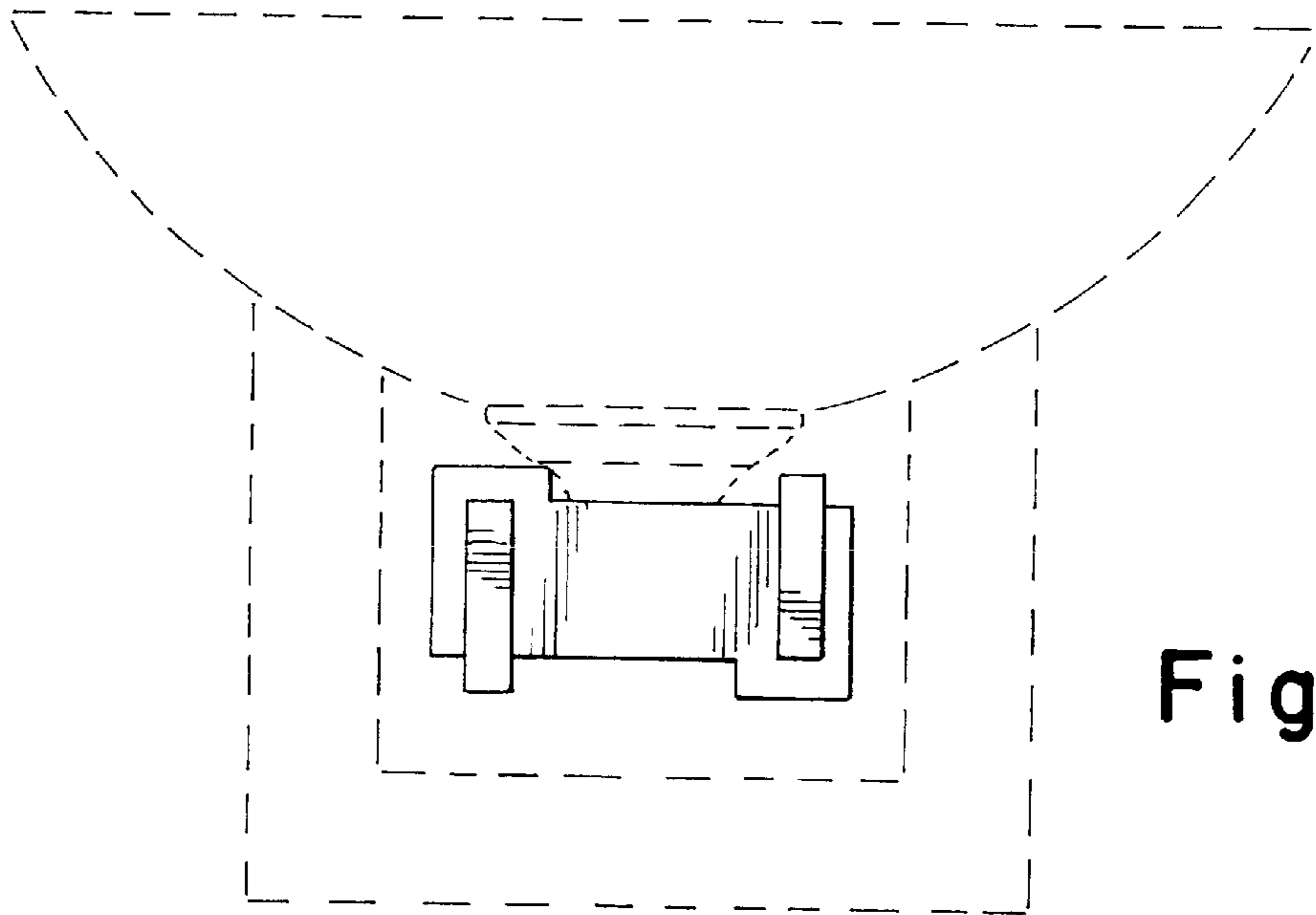


Fig. 7

Fig. 5

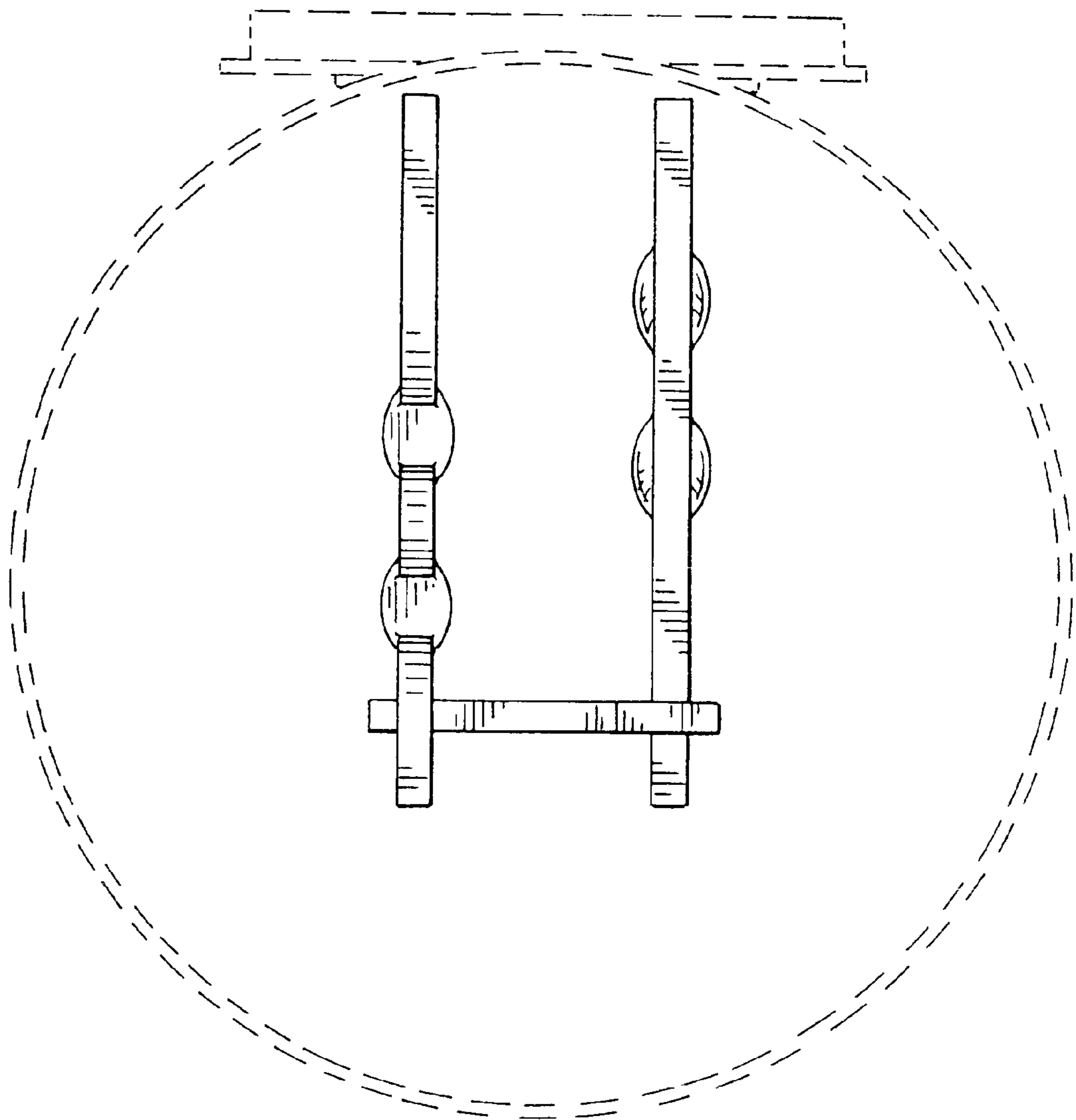
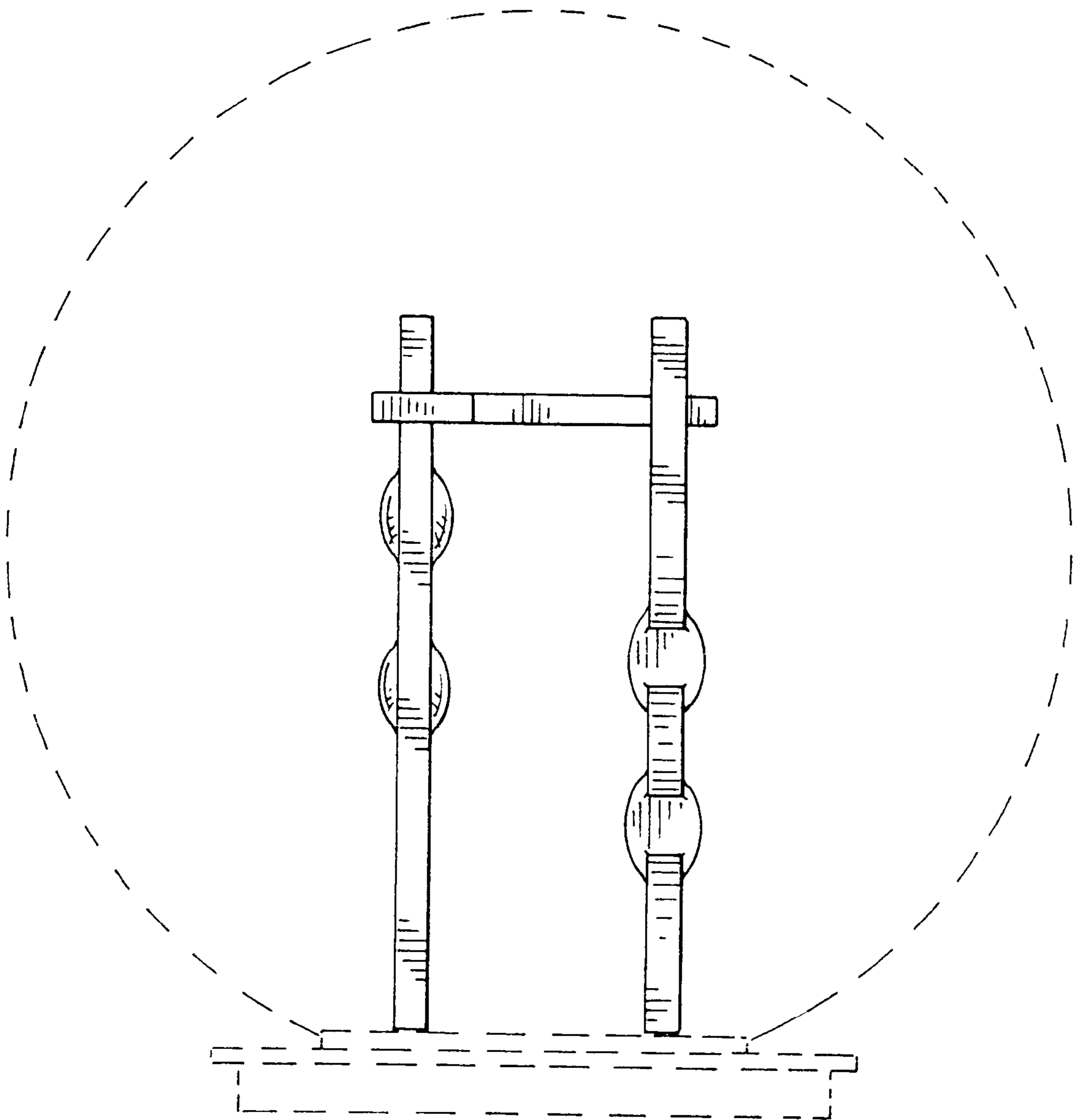


Fig. 6



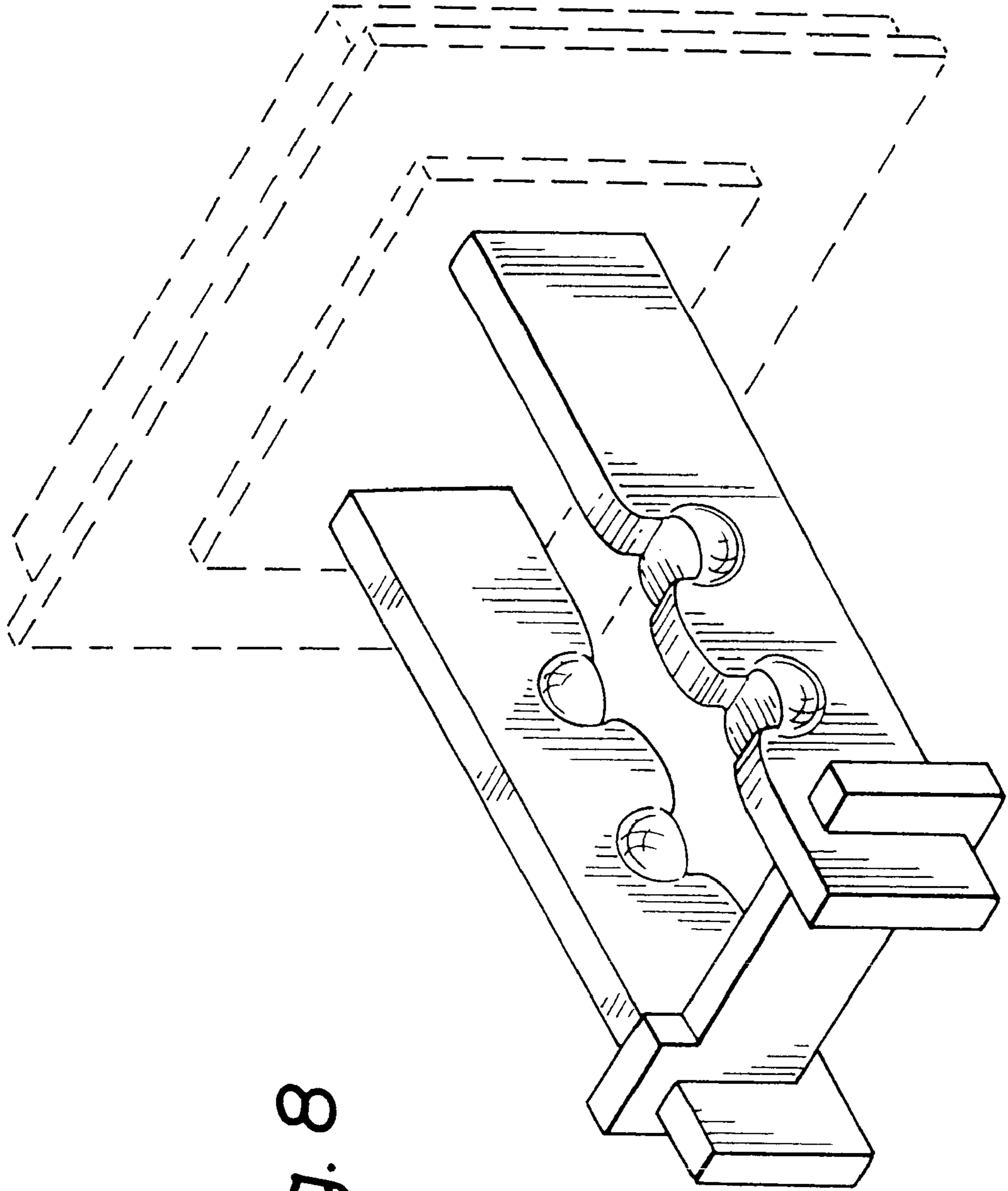


Fig. 8