



US00D483904S

(12) **United States Design Patent**  
**Skradski et al.**

(10) **Patent No.:** **US D483,904 S**

(45) **Date of Patent:** **\*\* Dec. 16, 2003**

(54) **LIGHTING FIXTURE CAP WITH BEZEL**

D472,669 S \* 4/2003 Homann ..... D26/118

(75) Inventors: **Thomas J. Skradski**, Oakland, CA (US); **Gary L. Cross**, San Francisco, CA (US)

(73) Assignee: **Lumenworks Lighting, Inc.**, Oakland, CA (US)

(\*\*) Term: **14 Years**

(21) Appl. No.: **29/162,498**

(22) Filed: **Jun. 14, 2002**

(51) **LOC (7) Cl.** ..... **26-99**

(52) **U.S. Cl.** ..... **D26/118; D26/152**

(58) **Field of Search** ..... D26/68, 118, 113, D26/138, 139, 152, 74; 362/147, 362, 364, 365, 431, 267, 404-408

(56) **References Cited**

**U.S. PATENT DOCUMENTS**

D338,080 S	8/1993	Elazari	
5,649,760 A	7/1997	Beadle	
D386,805 S	* 11/1997	Bonnette et al.	..... D26/74
D407,842 S	4/1999	Landefeld	
D438,322 S	2/2001	Skradski et al.	
D445,523 S	7/2001	Skradski et al.	
D450,150 S	11/2001	Skradski et al.	
D451,618 S	12/2001	Skradski et al.	
D451,619 S	12/2001	Skradski et al.	
D469,209 S	* 1/2003	Homann	..... D26/118

**OTHER PUBLICATIONS**

Advertising literature, SATCO, Halogen Plant Lighting System (undated).

Product packaging, Intermatic, Malibu Shrub Up-Lite, Architectural Grade Cast Metal (undated).

\* cited by examiner

*Primary Examiner*—Jennifer Rivard

(74) *Attorney, Agent, or Firm*—Donald L. Beeson

(57) **CLAIM**

The ornamental design for a lighting fixture cap with bezel, as shown and described.

**DESCRIPTION**

FIG. 1 is a top perspective view of a lighting fixture cap with bezel showing our new design;

FIG. 2 is an enlarged top perspective view thereof;

FIG. 3 is an enlarged front elevational view thereof;

FIG. 4 is an enlarged right side elevational view thereof;

FIG. 5 is an enlarged rear elevational view thereof;

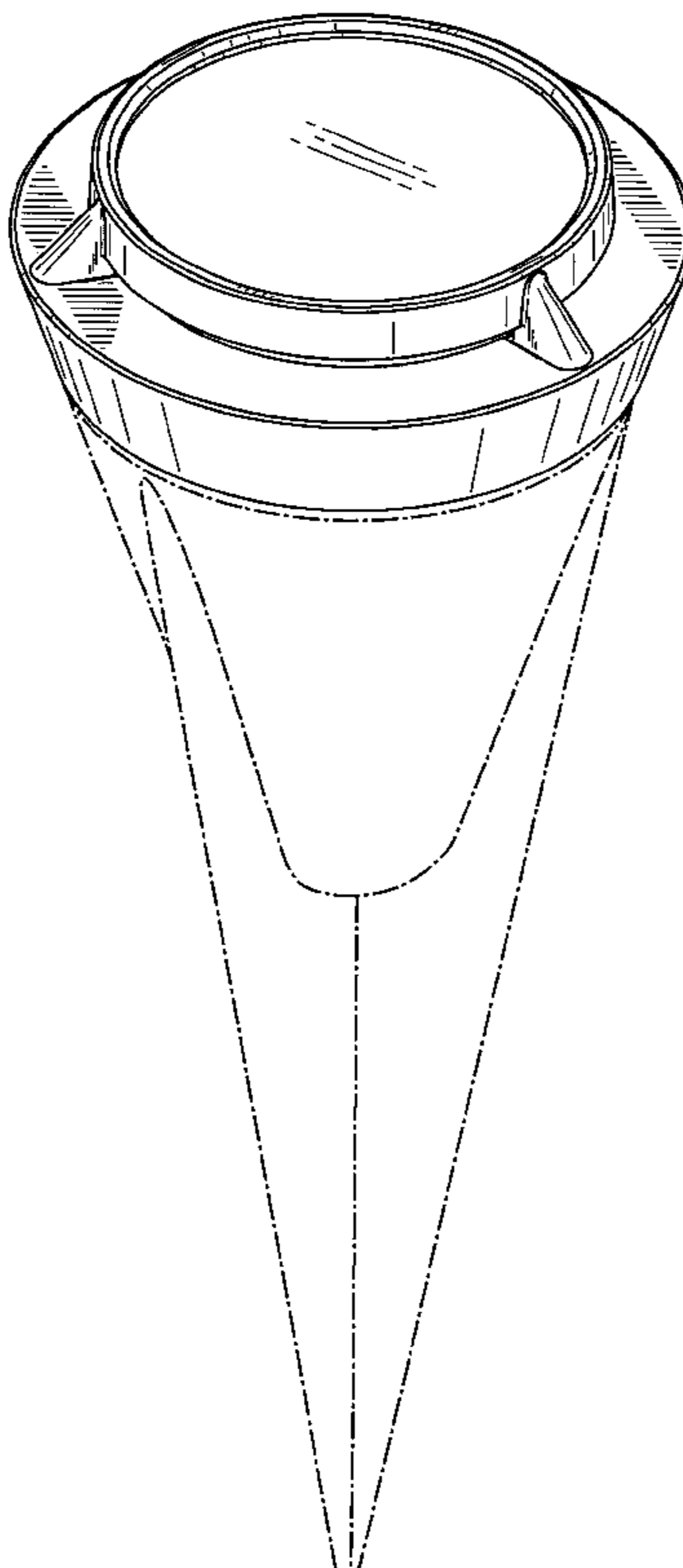
FIG. 6 is an enlarged left side elevational view thereof; and,

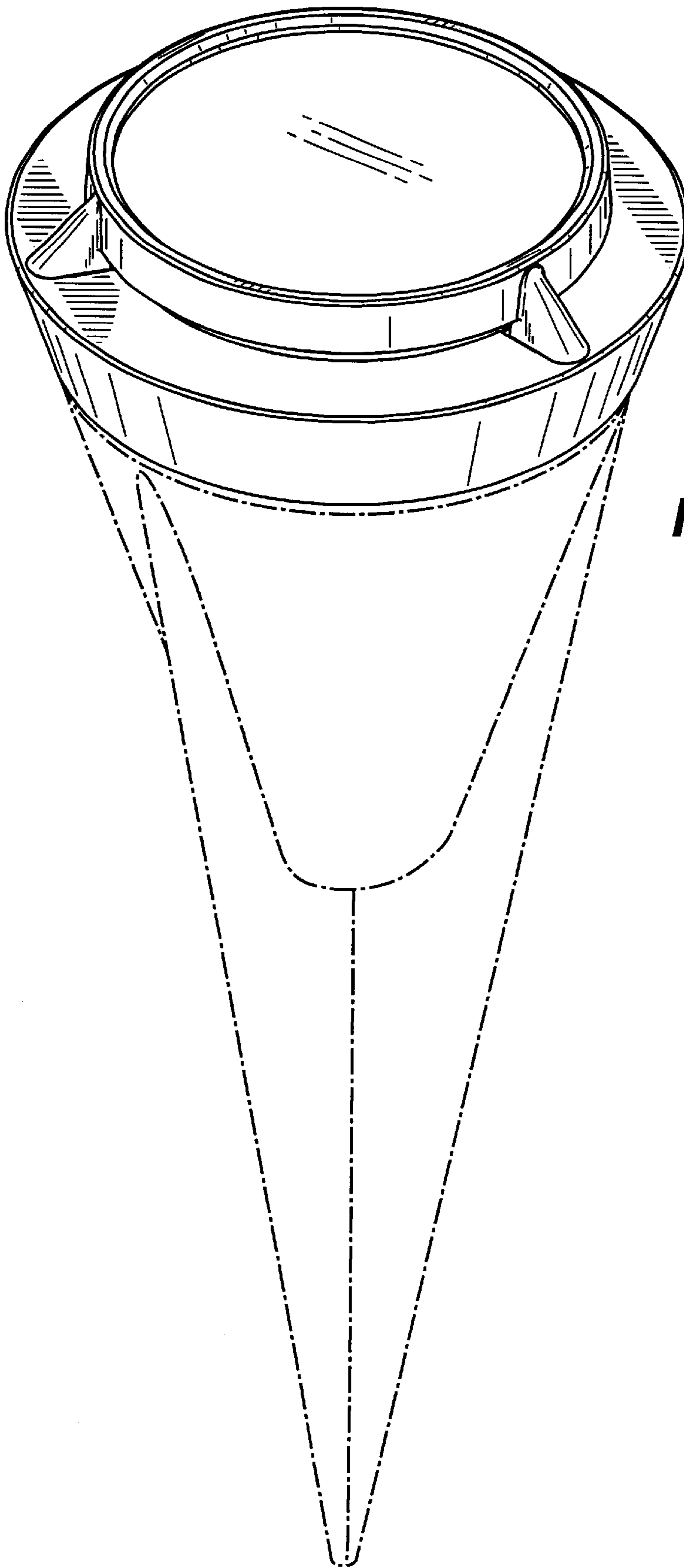
FIG. 7 is a top plan view thereof.

The bottom of the lighting fixture cap with bezel of our new design is unornamented and not considered part of the design.

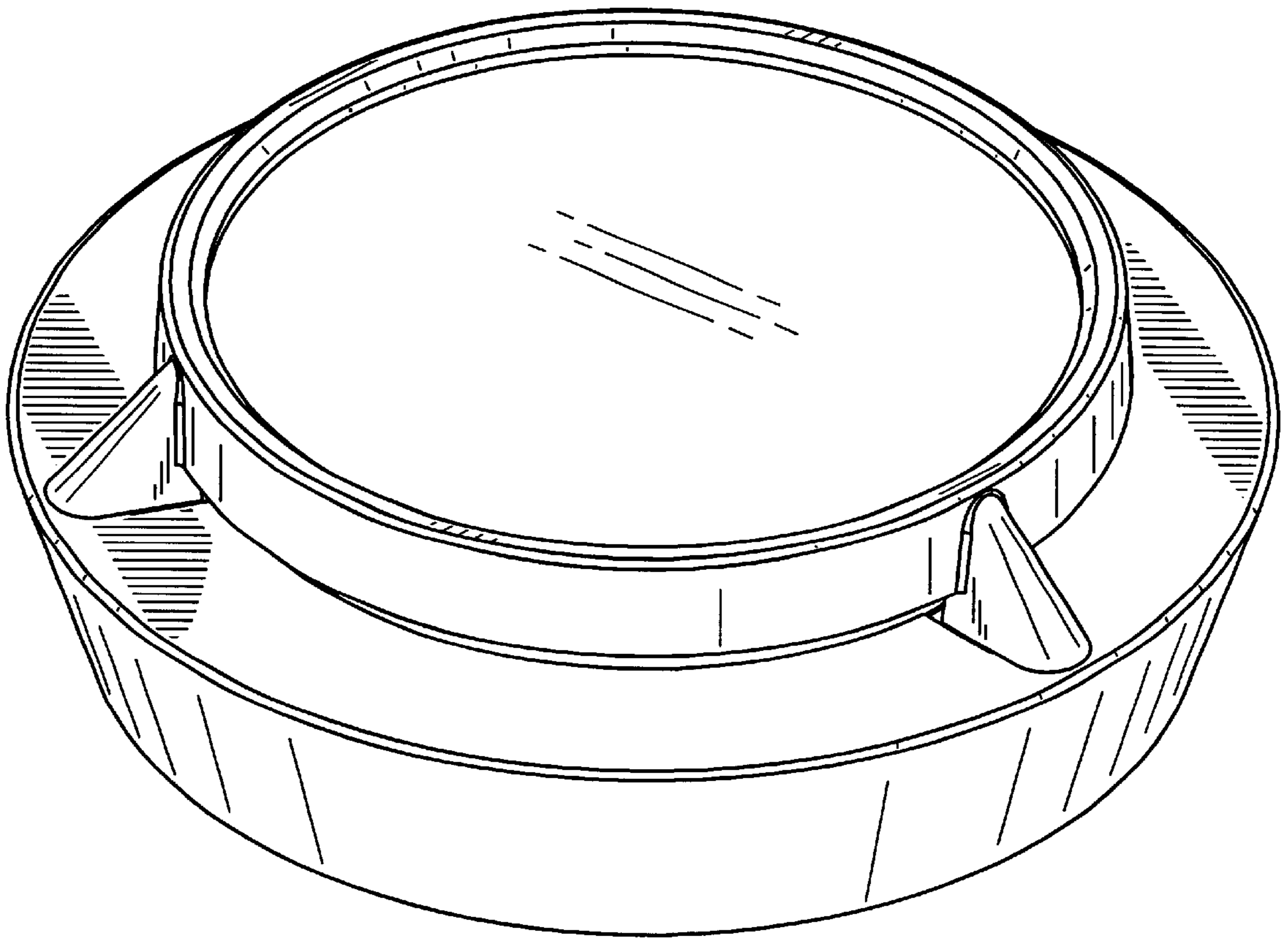
The broken line environmental showing is for illustrative purposes only and forms no part of the claimed design.

**1 Claim, 4 Drawing Sheets**

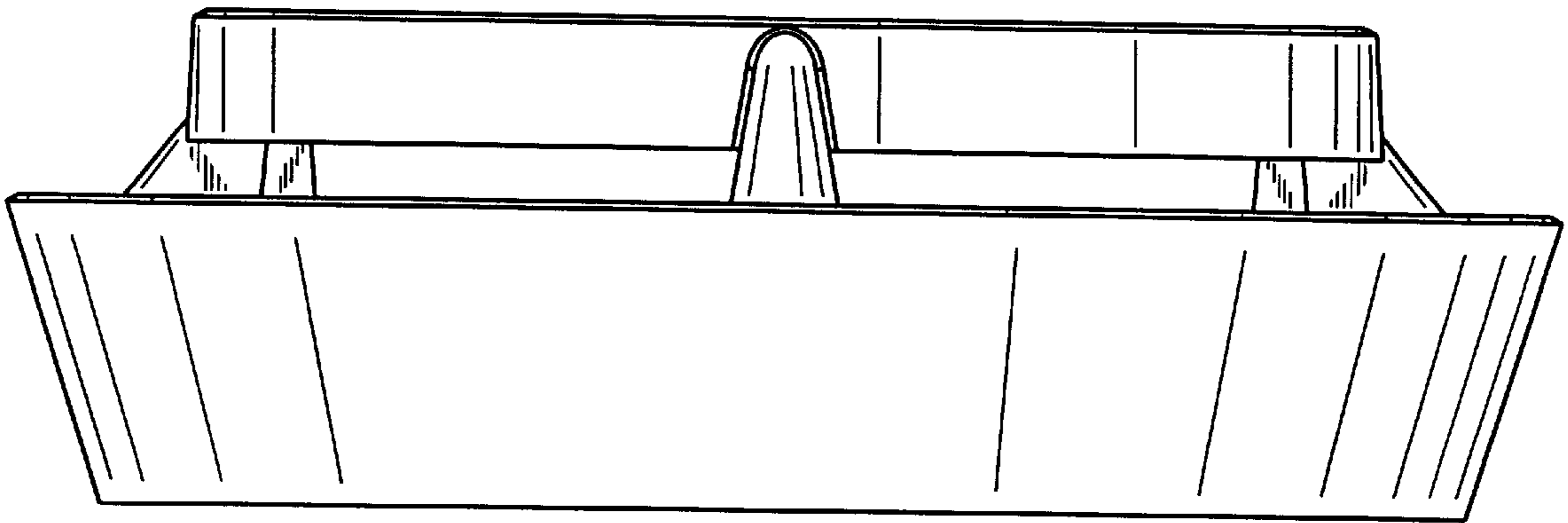




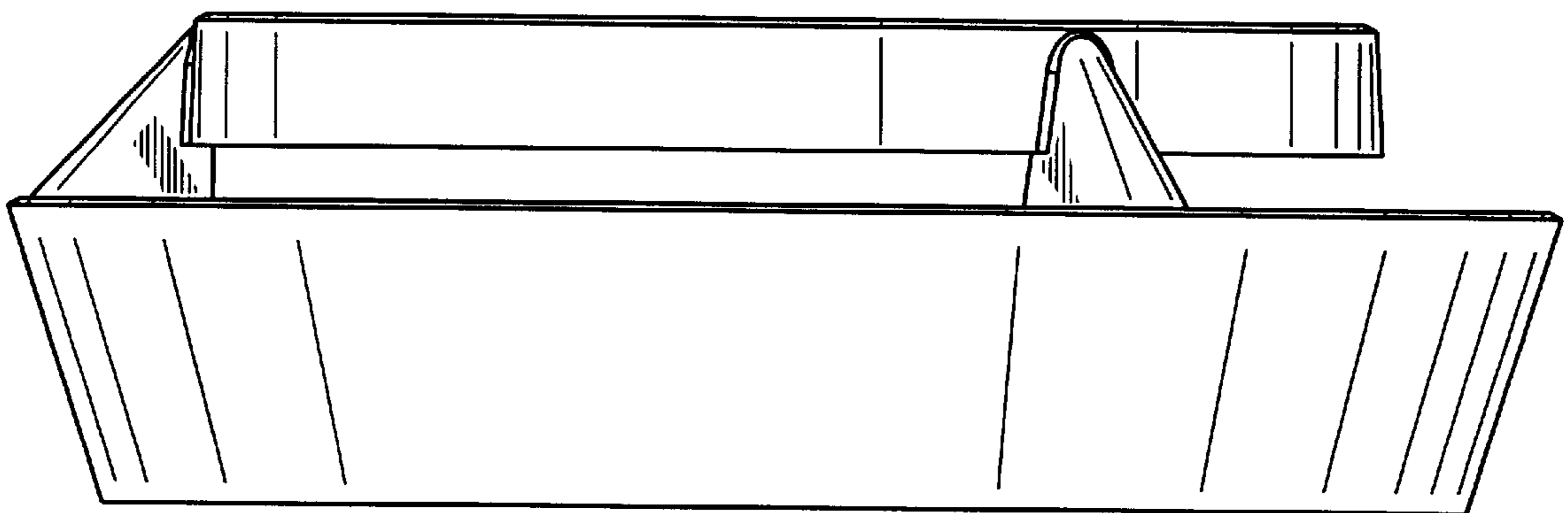
**FIG. 1**



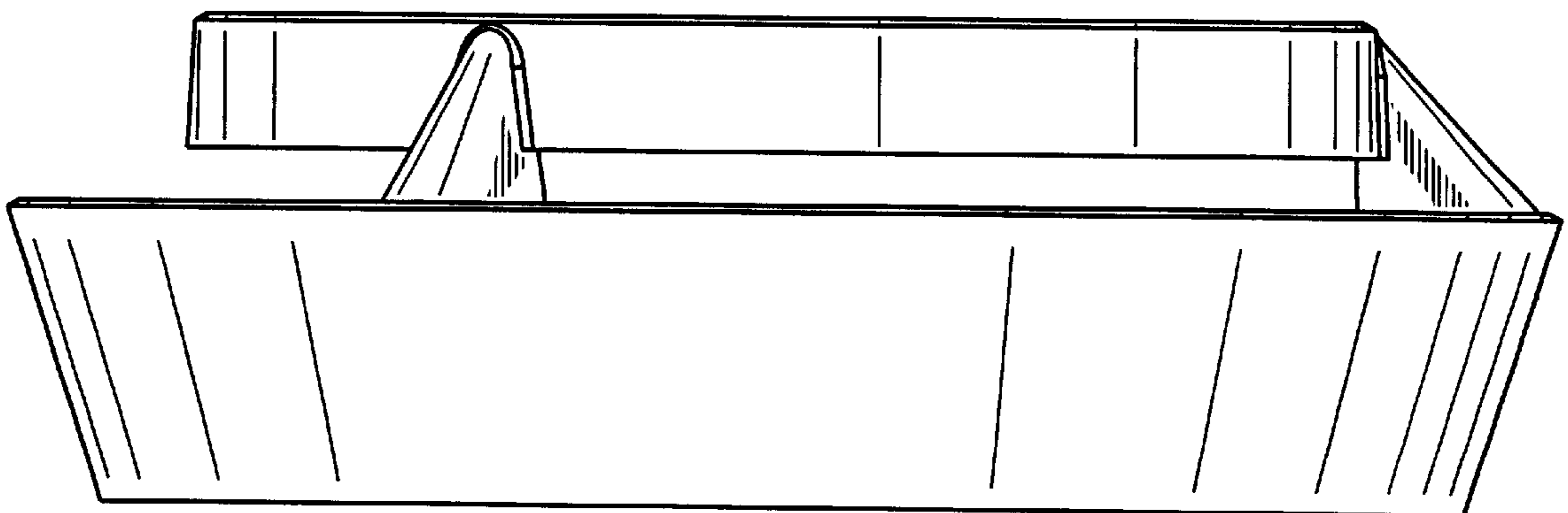
**FIG. 2**



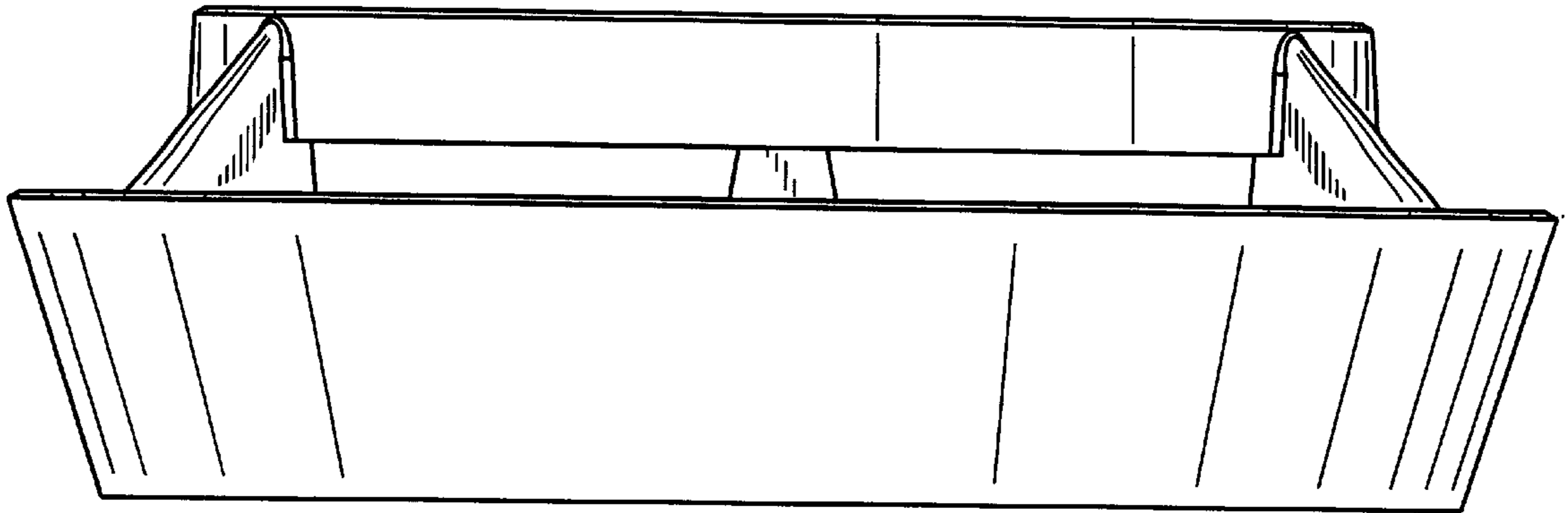
**FIG.\_3**



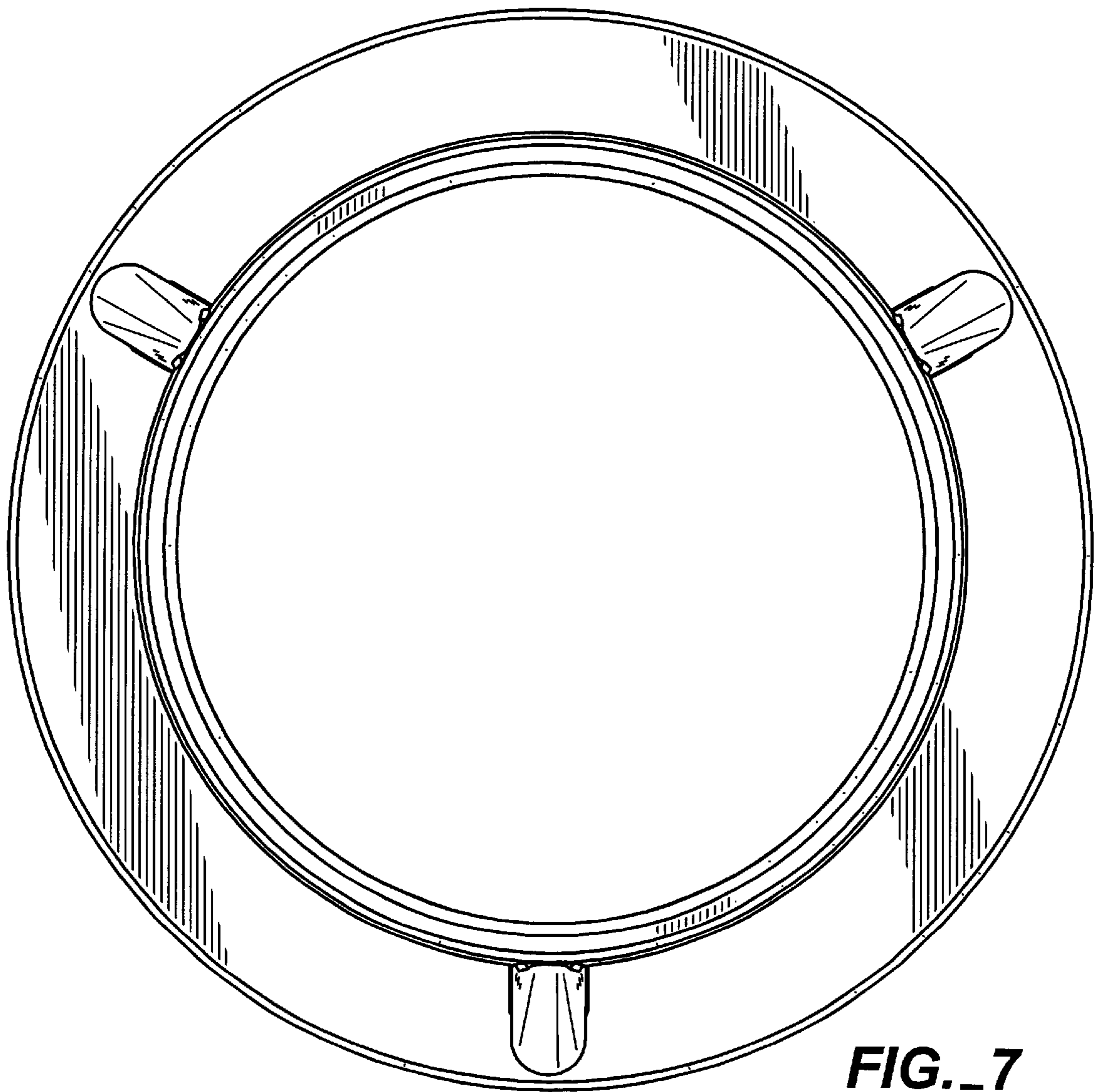
**FIG.\_4**



**FIG.\_6**



**FIG. 5**



**FIG. 7**