



US00D483903S

(12) **United States Design Patent**
Skradski et al.

(10) **Patent No.:** **US D483,903 S**

(45) **Date of Patent:** **** Dec. 16, 2003**

(54) **LIGHTING FIXTURE CAP**

OTHER PUBLICATIONS

(75) Inventors: **Thomas J. Skradski**, Oakland, CA (US); **Gary L. Cross**, San Francisco, CA (US)

Erre Luce, Illuminotecnica, May 1998.*
Advertising literature, SATCO, Halogen Plant Lighting System (undated).
Product packaging, Intermatic; Malibu Shrub Up-Lite; Architectural Grade Cast Metal (undated).

(73) Assignee: **Lumenworks Lighting, Inc.**, Oakland, CA (US)

* cited by examiner

(**) Term: **14 Years**

Primary Examiner—Jennifer Rivard

(21) Appl. No.: **29/162,495**

(74) *Attorney, Agent, or Firm*—Donald L. Beeson

(22) Filed: **Jun. 14, 2002**

(57) **CLAIM**

(51) **LOC (7) Cl.** **26-99**

The ornamental design for a lighting fixture cap, as shown and described.

(52) **U.S. Cl.** **D26/118; D26/152**

(58) **Field of Search** D26/68, 118, 113,
D26/138, 139, 152, 74; 362/364, 365, 147,
404-408, 362, 431, 267

DESCRIPTION

(56) **References Cited**

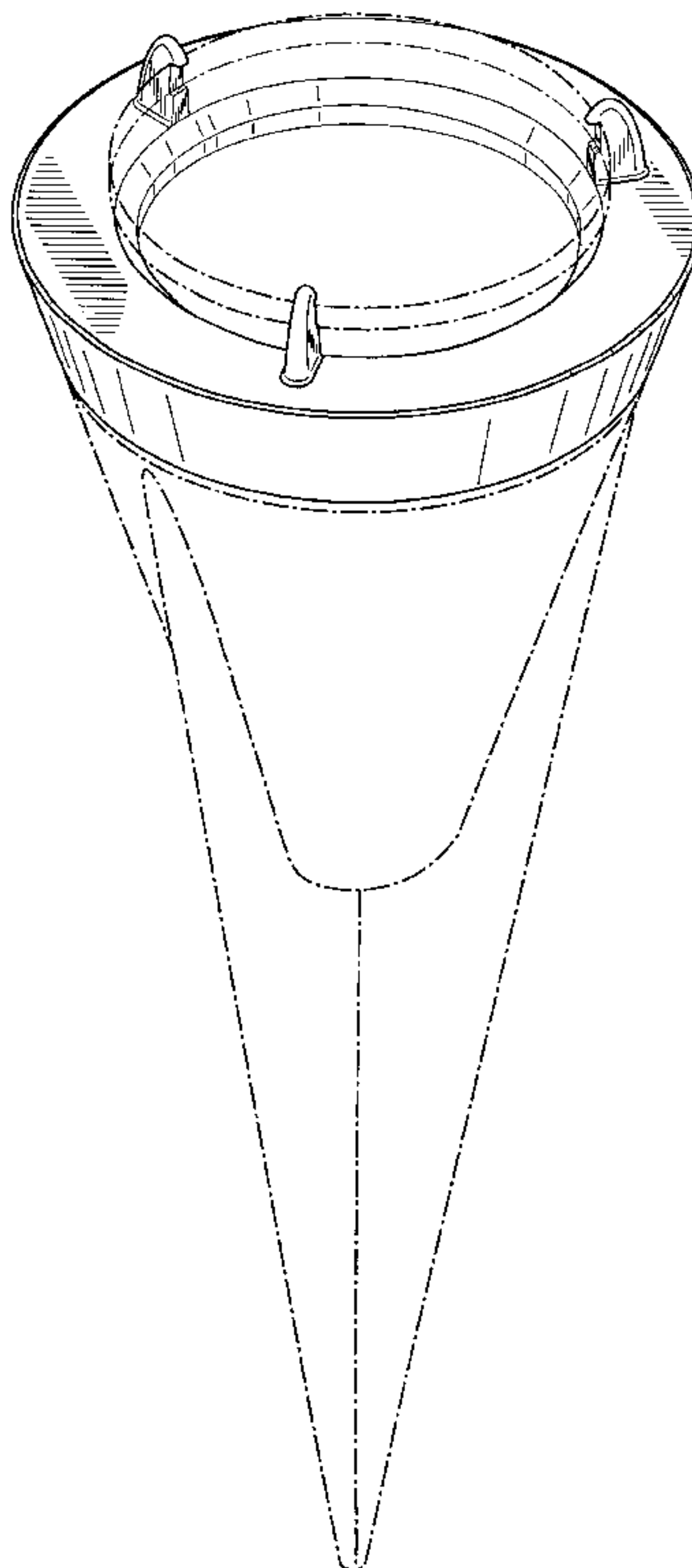
FIG. 1 is a top perspective view of a lighting fixture cap showing our new design;
FIG. 2 is an enlarged top perspective view thereof;
FIG. 3 is an enlarged front elevational view thereof;
FIG. 4 is an enlarged left side elevational view thereof;
FIG. 5 is an enlarged rear elevational view thereof;
FIG. 6 is an enlarged right side elevational view thereof; and,
FIG. 7 is a top plan view thereof.

U.S. PATENT DOCUMENTS

D338,080 S	8/1993	Elazari	
5,649,760 A	7/1997	Beadle	
D386,805 S	* 11/1997	Bonnette et al.	D26/74
D407,842 S	4/1999	Landefeld	
D438,322 S	2/2001	Skradski et al.	
6,250,781 B1	* 6/2001	Straus et al.	362/362
D445,523 S	7/2001	Skradski et al.	
D450,150 S	11/2001	Skradski et al.	
D451,618 S	12/2001	Skradski et al.	
D451,619 S	12/2001	Skradski et al.	
D469,209 S	* 1/2003	Homann	D26/118
D472,669 S	* 4/2003	Homann	D26/118

The bottom of the lighting fixture cap of our new design is unornamented and not considered part of the design. The broken line environmental showing is for illustrative purposes only and forms no part of the claimed design.

1 Claim, 4 Drawing Sheets



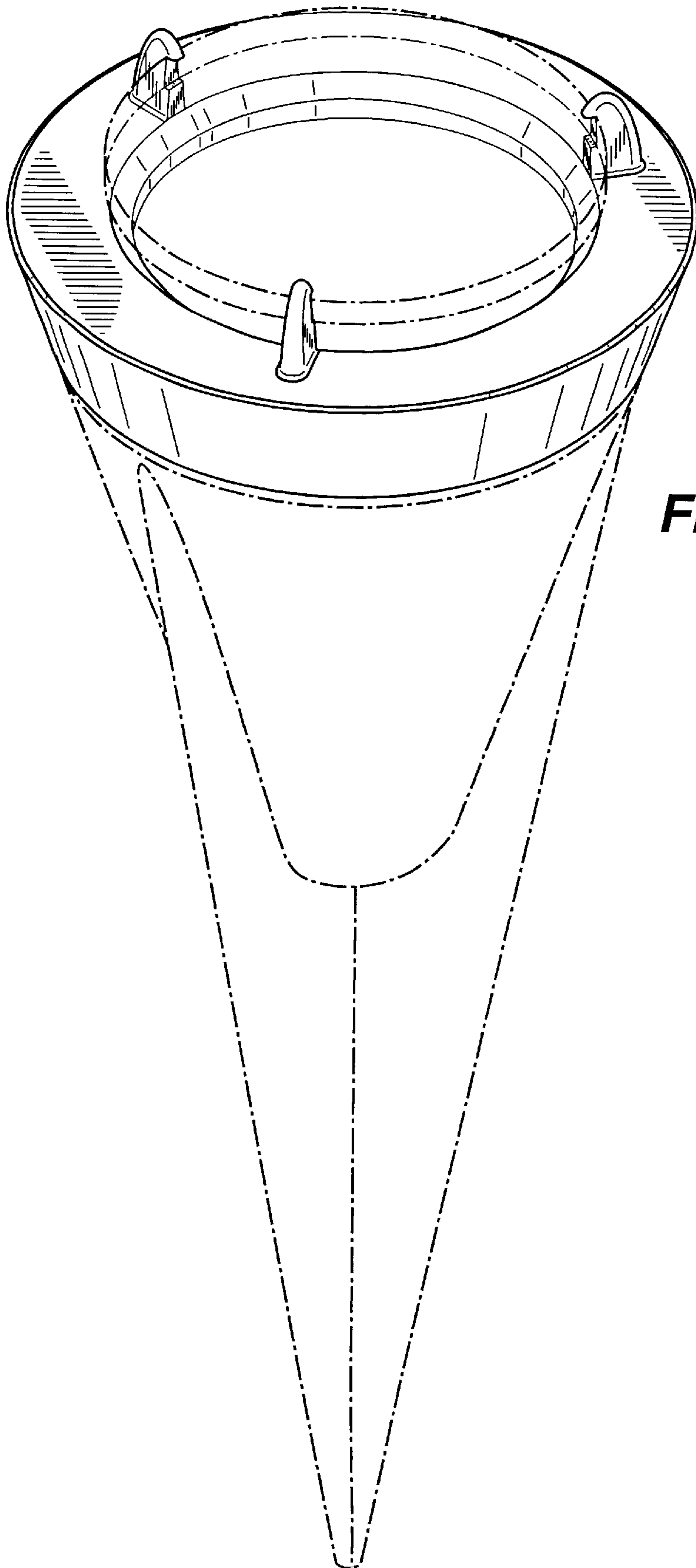


FIG. 1

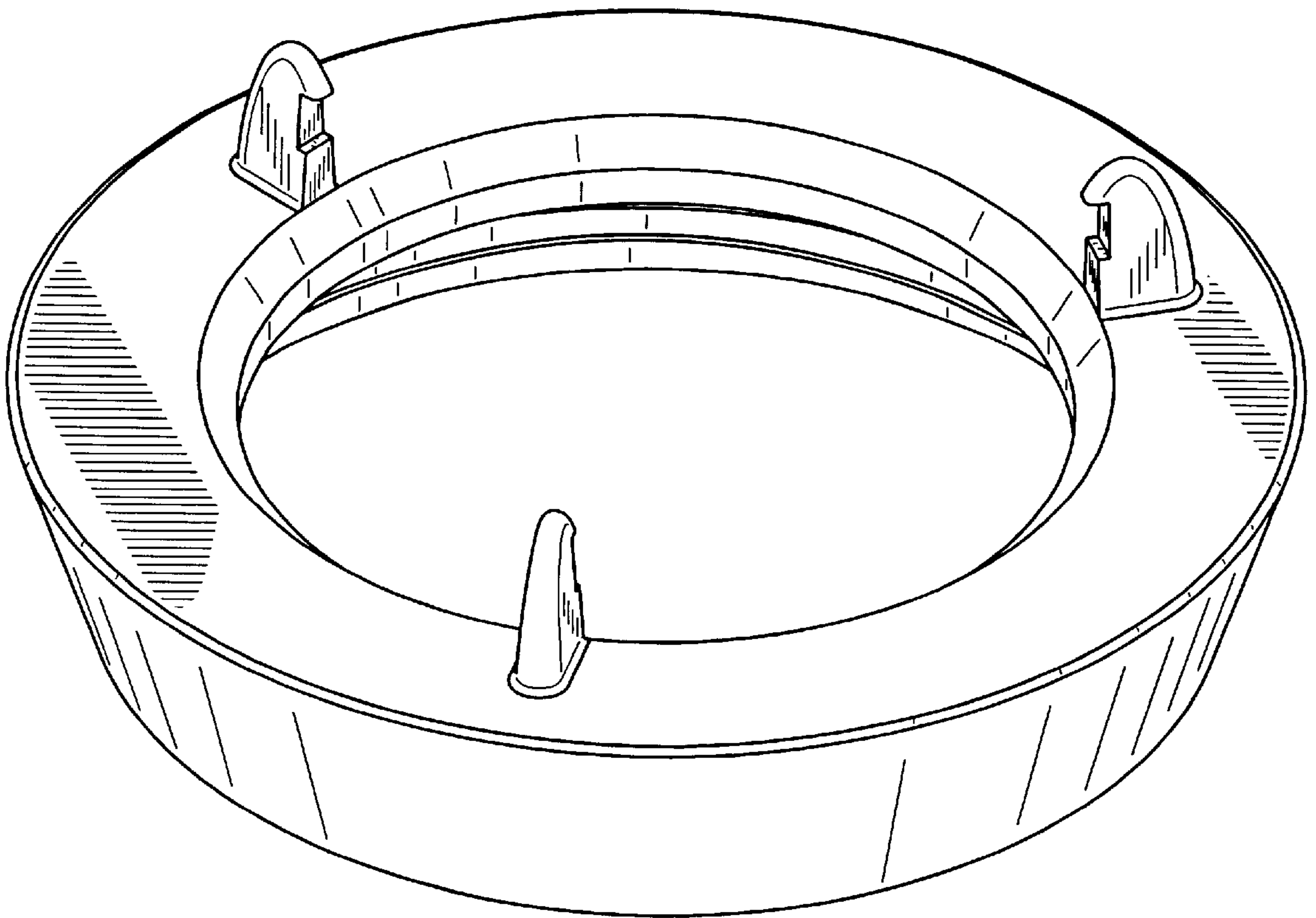


FIG. 2

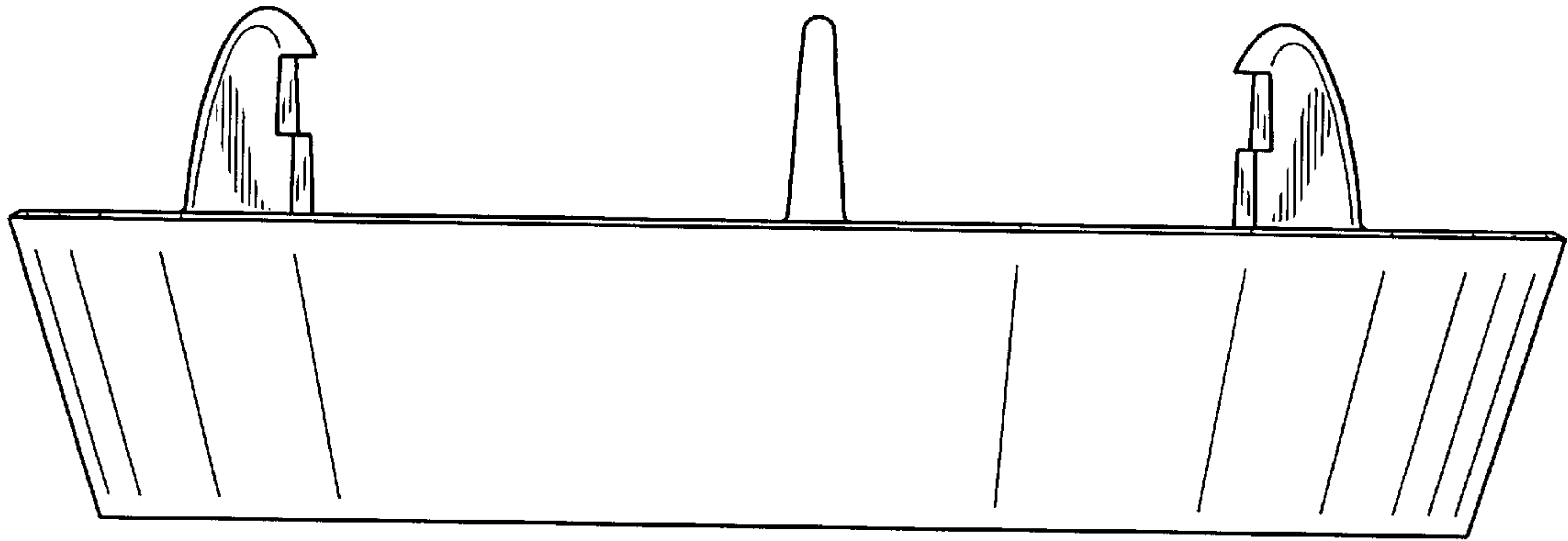


FIG._3

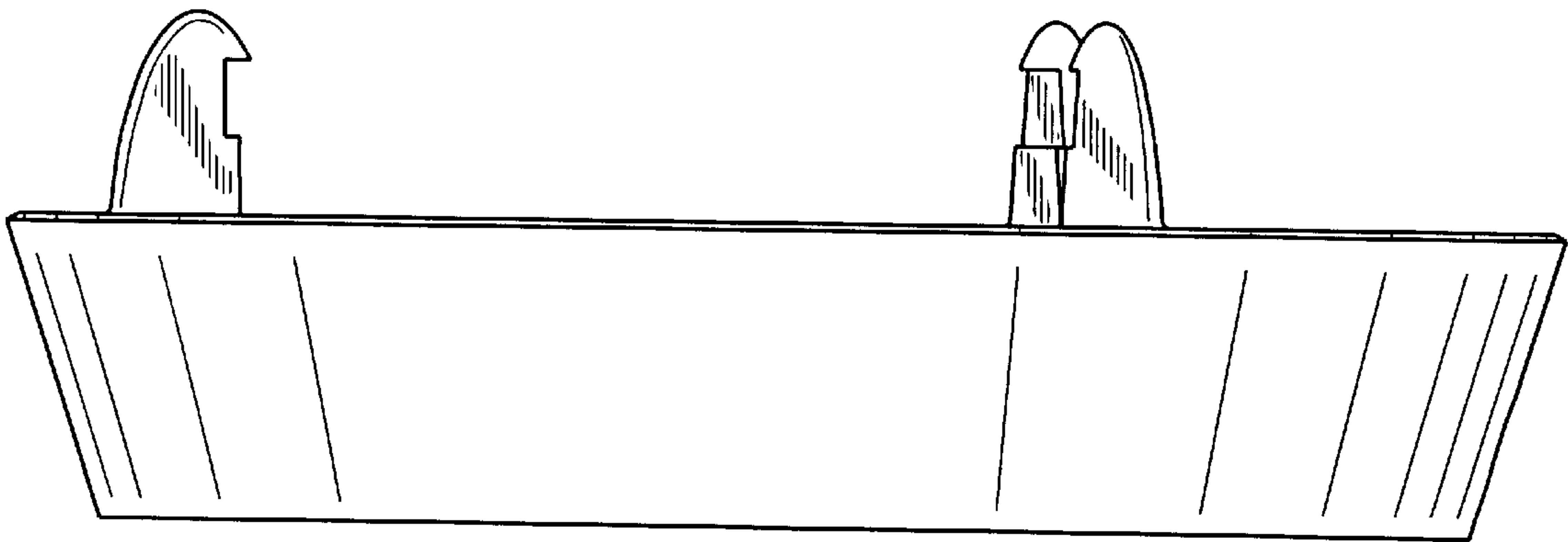


FIG._4

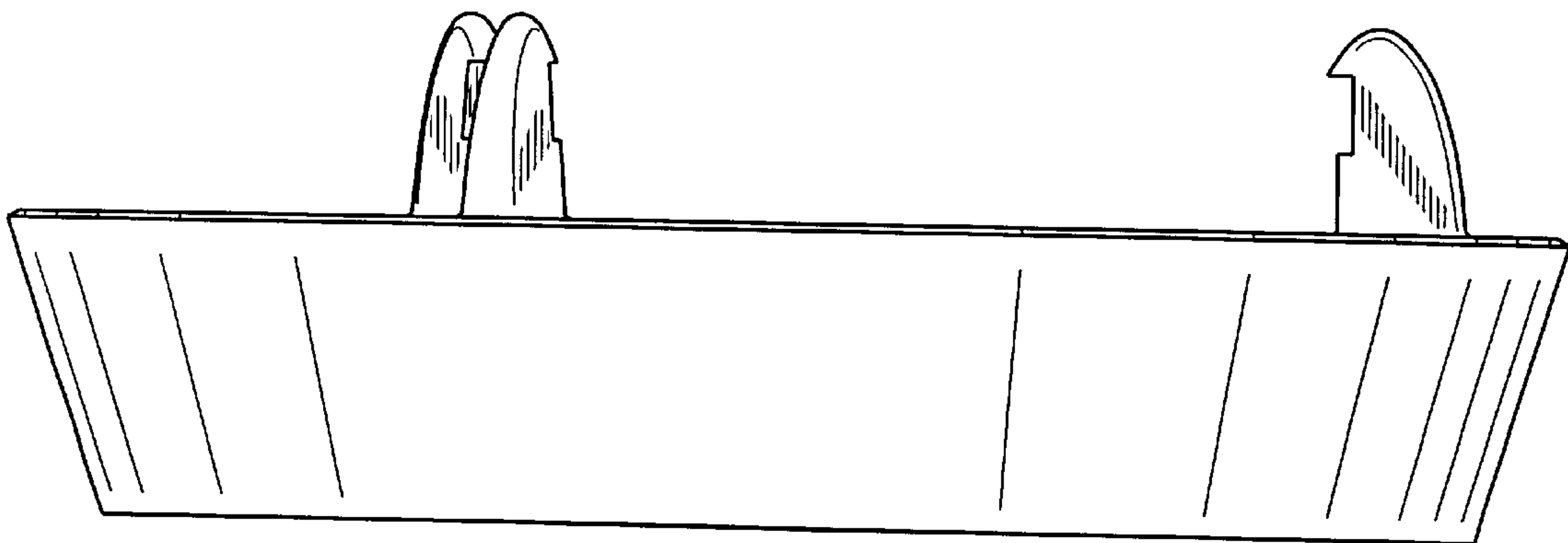


FIG._6

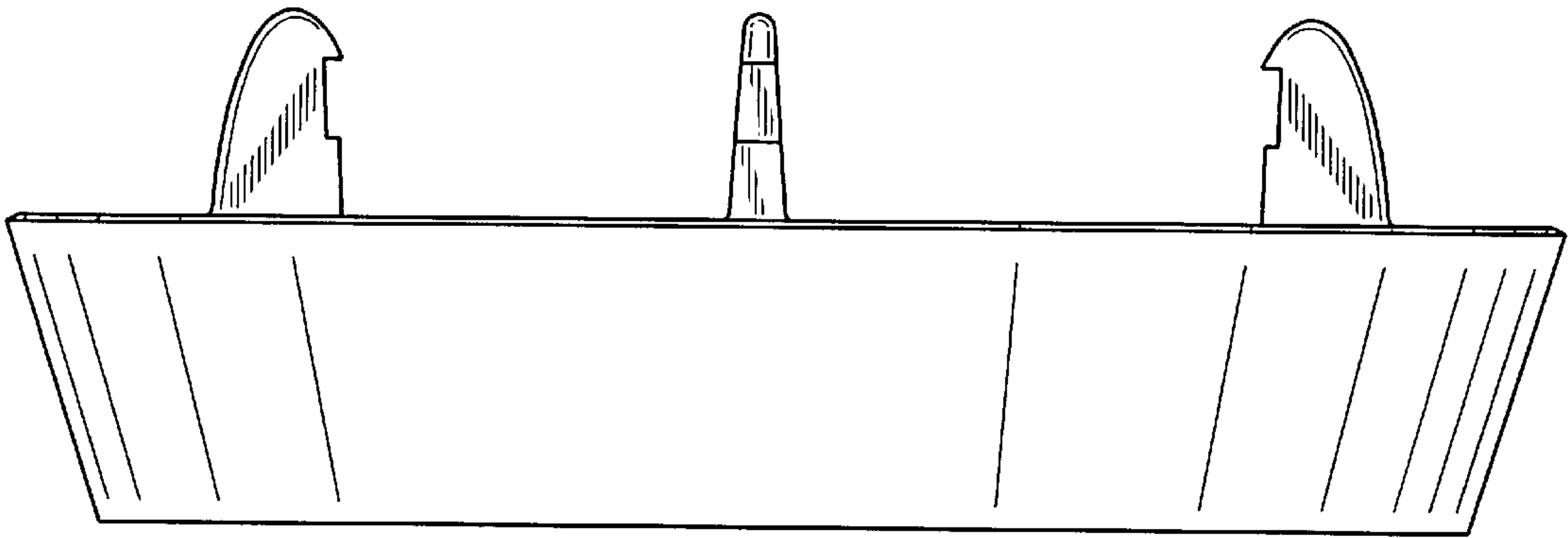


FIG._5

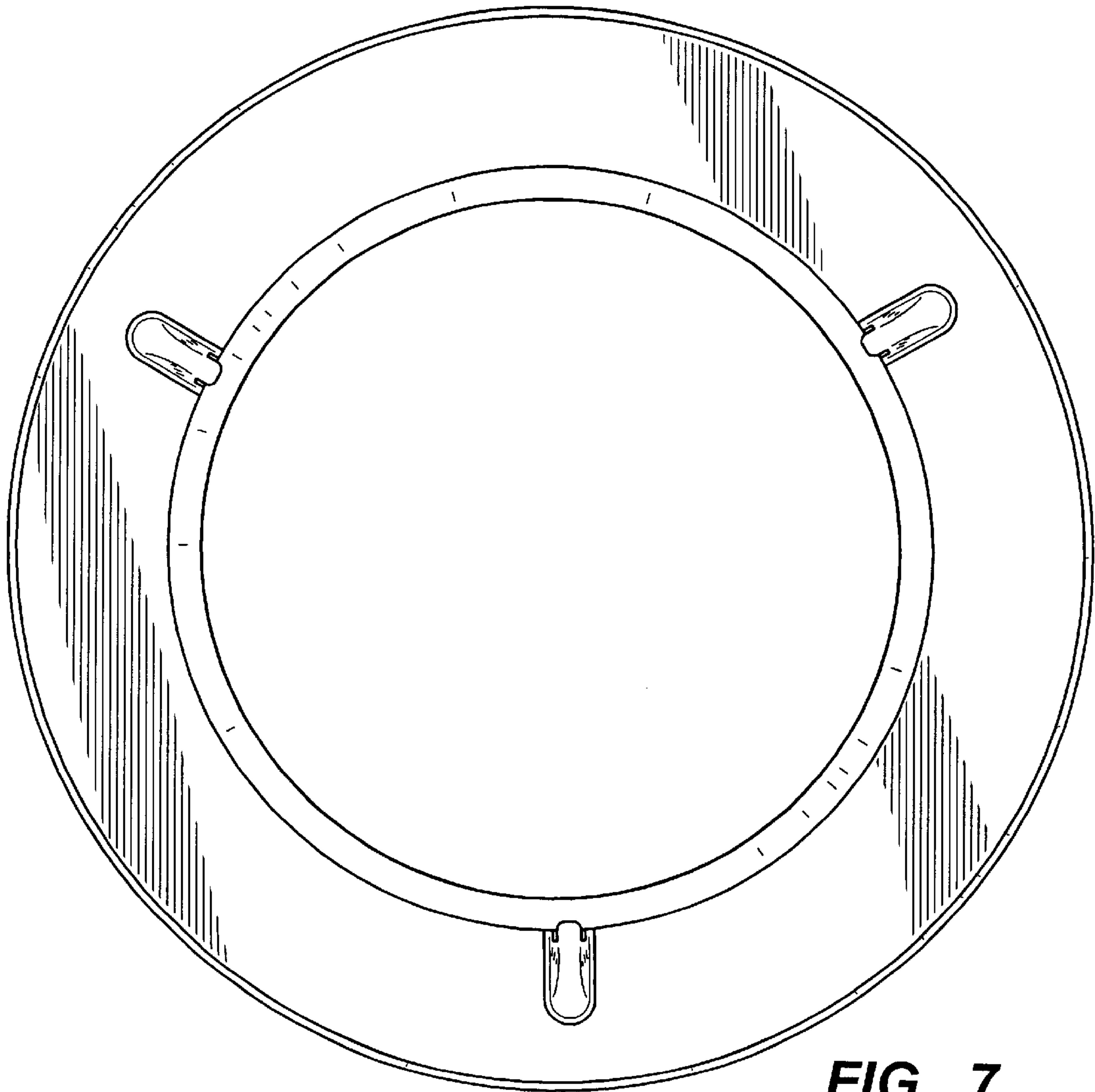


FIG._7