



US00D483895S

(12) **United States Design Patent**  
**Kuelbs et al.**

(10) **Patent No.:** **US D483,895 S**

(45) **Date of Patent:** **\*\* Dec. 16, 2003**

(54) **HANGABLE LAMP**

(75) Inventors: **Gregory G. Kuelbs**, Westlake, TX  
(US); **Zhongxing Zhou**, Ronggui (CN)

(73) Assignee: **World Factory, Inc.**, Southlake, TX  
(US)

(\*\*) Term: **14 Years**

(21) Appl. No.: **29/165,520**

(22) Filed: **Aug. 9, 2002**  
(Under 37 CFR 1.47)

(51) **LOC (7) Cl.** ..... **26-05**

(52) **U.S. Cl.** ..... **D26/67**

(58) **Field of Search** ..... D26/67, 68, 72,  
D26/80-92, 113, 118, 128, 129; 362/147,  
153, 153.1, 159, 363, 367, 368, 404-408,  
431, 432

(56) **References Cited**

**U.S. PATENT DOCUMENTS**

D442,721 S \* 5/2001 Hsu ..... D26/72  
D469,907 S \* 2/2003 Chen ..... D26/67

**OTHER PUBLICATIONS**

CENS Lighting Jul. 2002, p. 78; circled item at top center of page.\*

CENS Lighting Jul. 2002, p. 84; Item#SY040-3.\*

CENS Lighting Feb. 2000, p. 161; Item#6492-1.\*

\* cited by examiner

*Primary Examiner*—Clare E Heflin

(74) *Attorney, Agent, or Firm*—Melvin A. Hunn; Hill & Hunn, LLP

(57) **CLAIM**

The ornamental design for a hangable lamp, as shown and described.

**DESCRIPTION**

FIG. 1 is a perspective view of the hangable lamp according to the present invention.

FIG. 2 is a rear view of the hangable lamp according to the present invention.

FIG. 3 is a right side view of the hangable lamp according to the present invention.

FIG. 4 is a front view of the hangable lamp according to the present invention. The left side view is identical to the right side view.

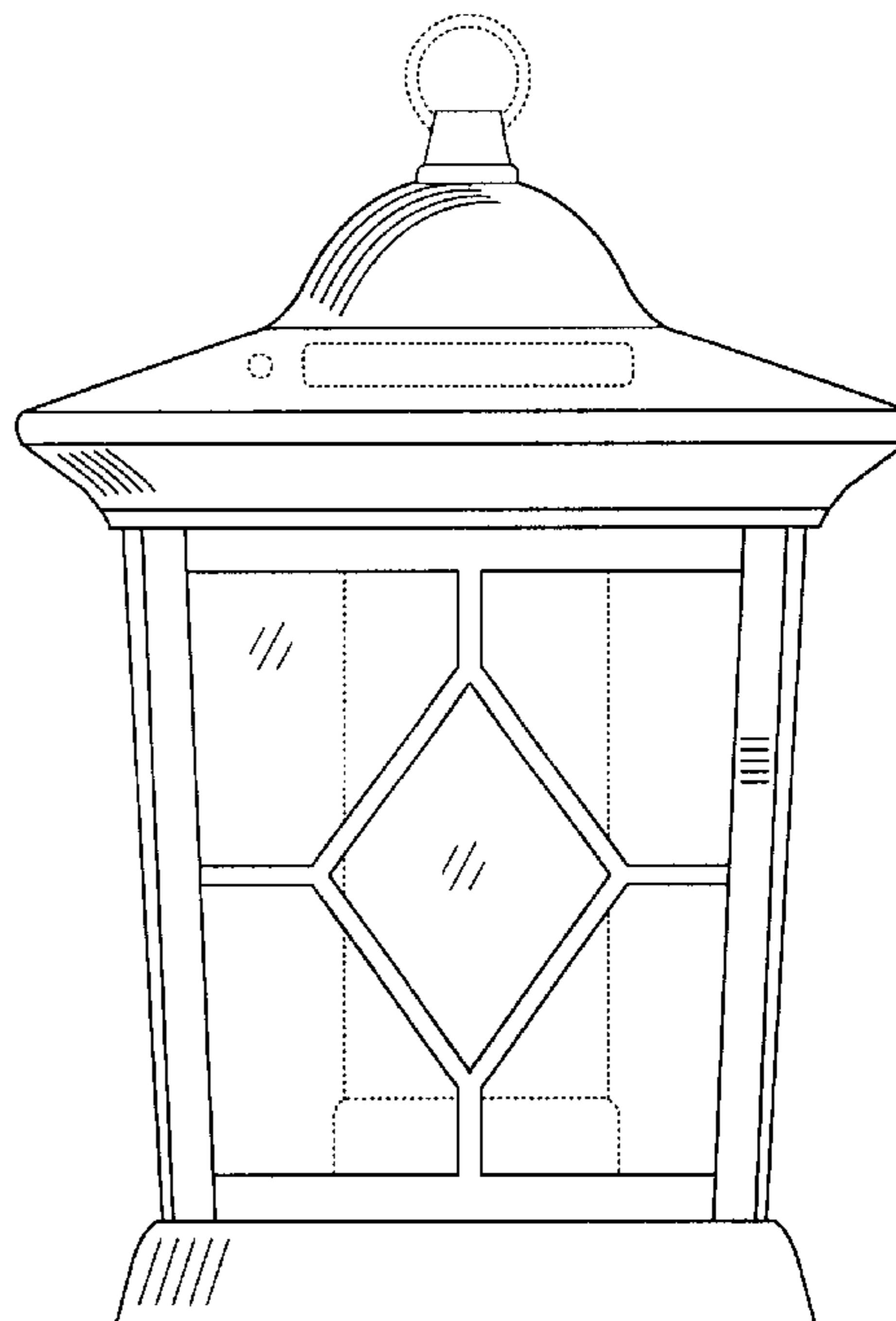
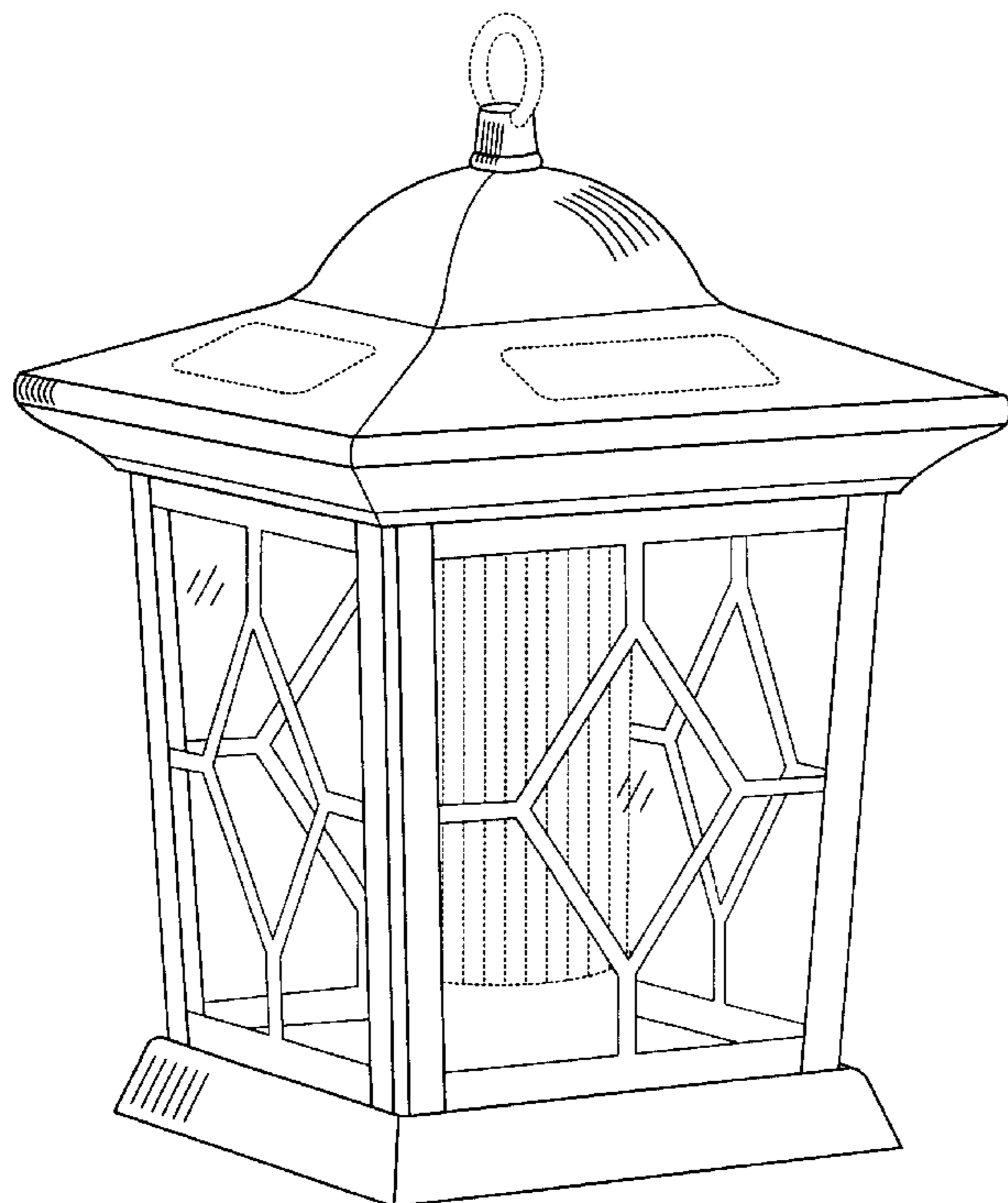
FIG. 5 is a left side view of the hangable lamp according to the present invention.

FIG. 6 is a top view of the hangable lamp according to the present invention; and,

FIG. 7 is a bottom view of the hangable lamp according to the present invention.

The broken lines shown on the drawings are for illustrative purposes only and form no part of the claimed design.

**1 Claim, 4 Drawing Sheets**



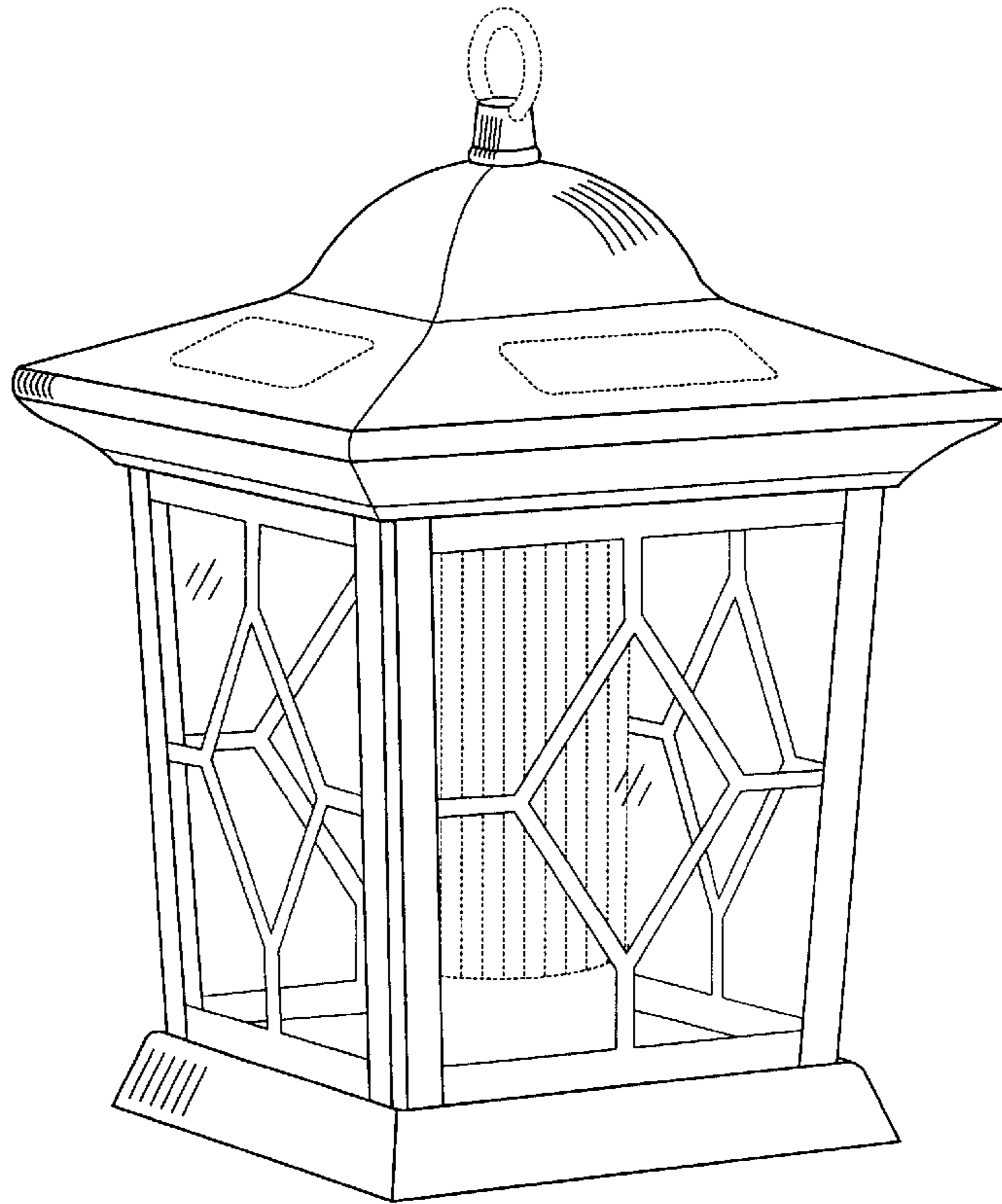


Figure 1

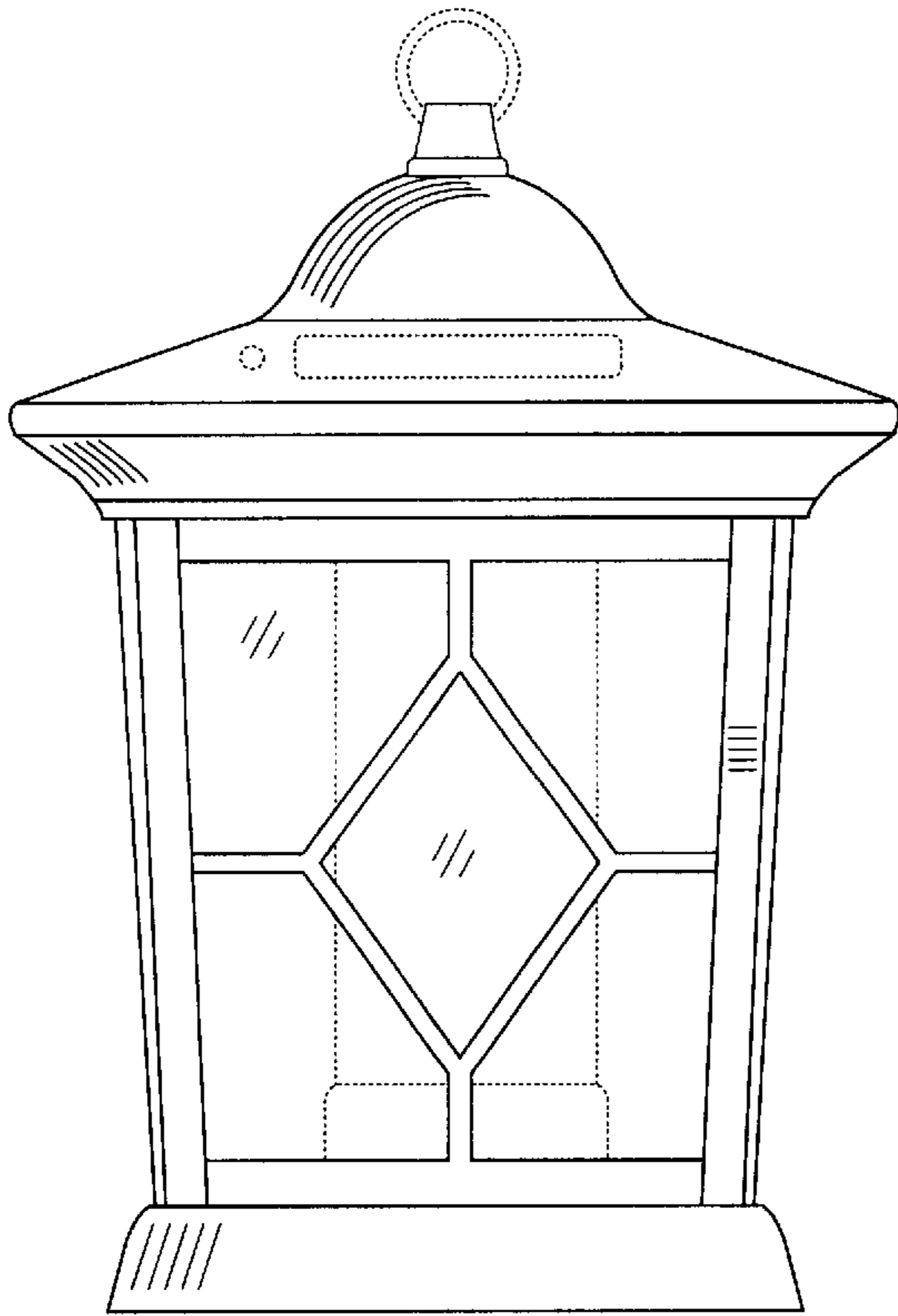


Figure 2

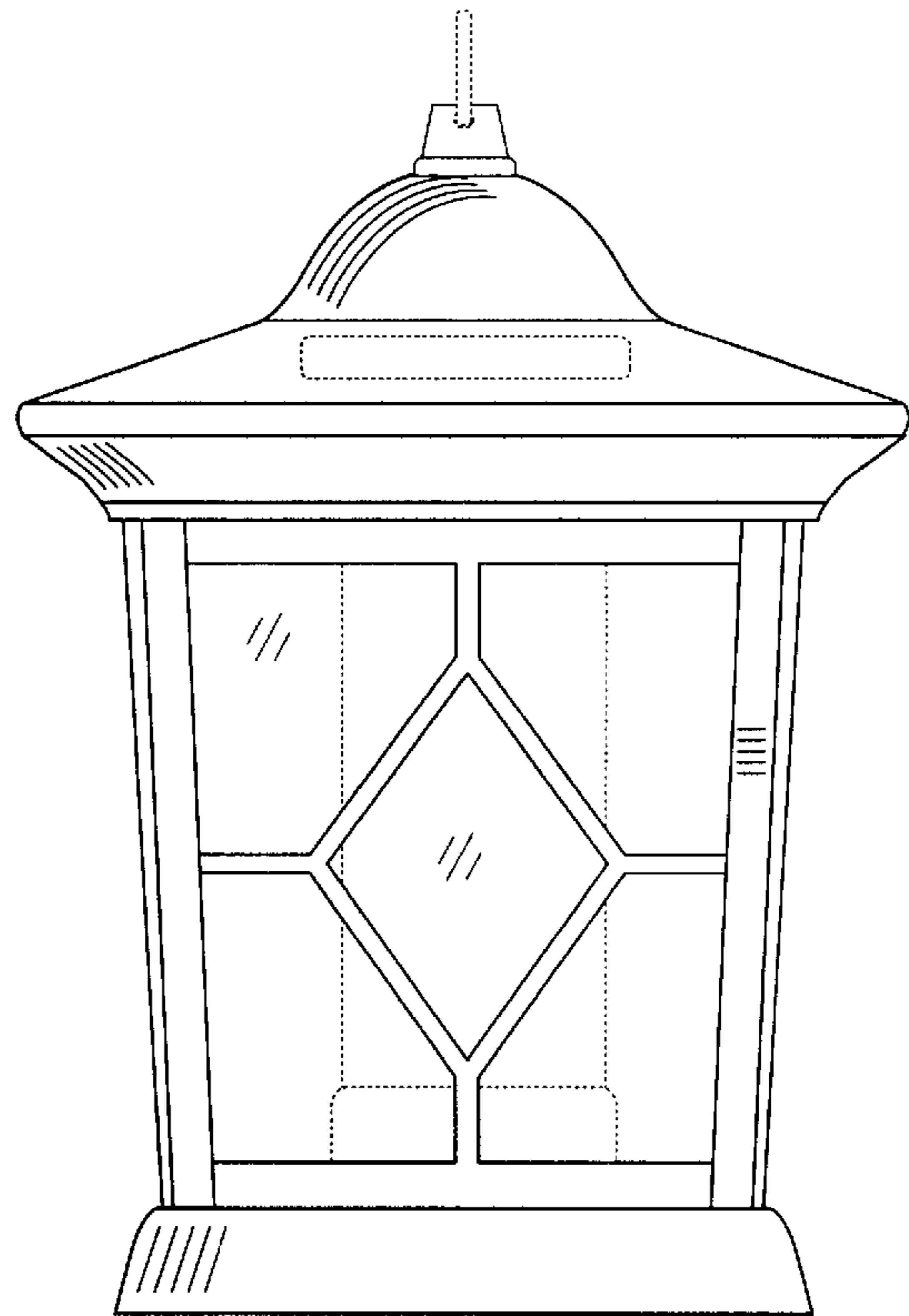


Figure 3

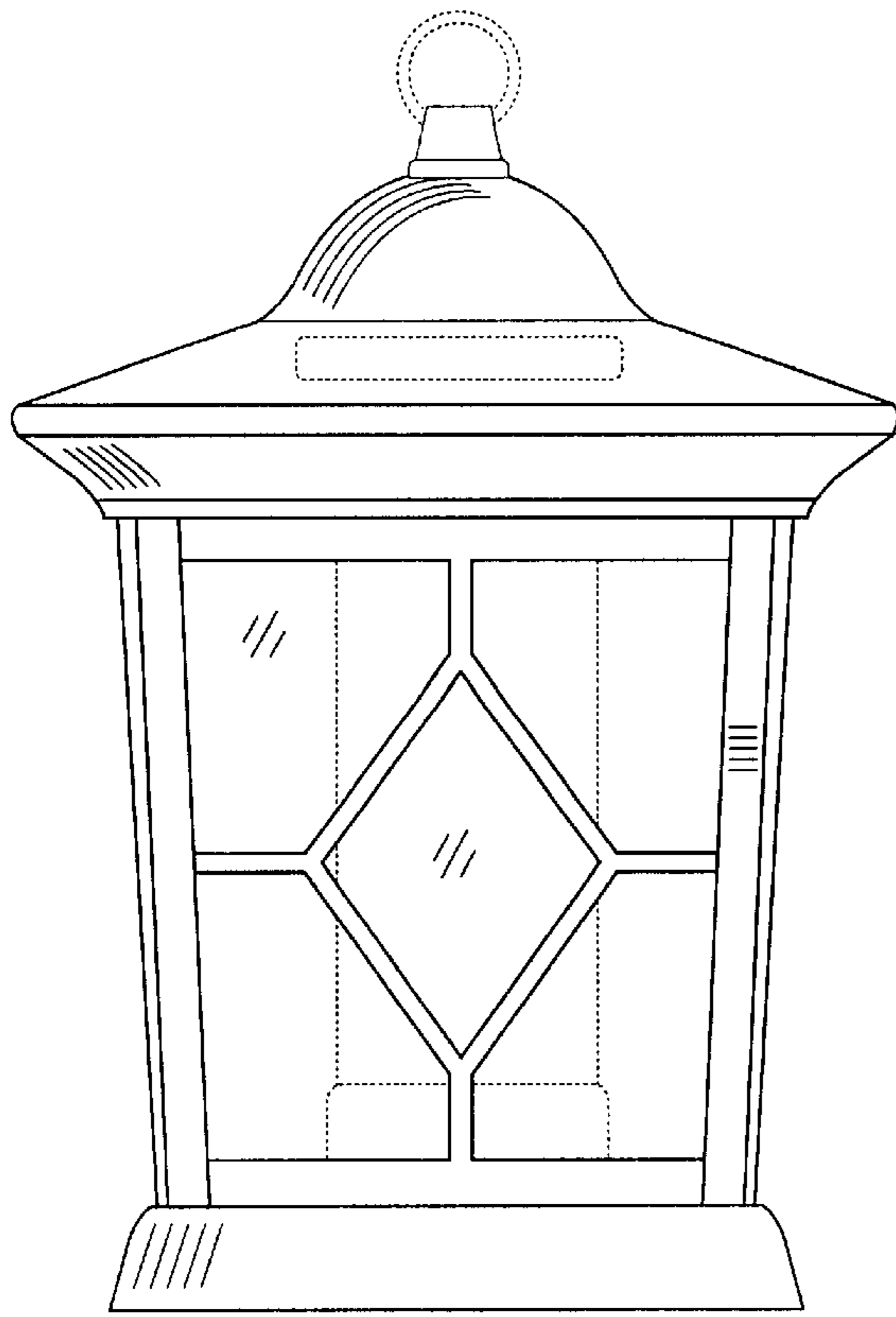


Figure 4

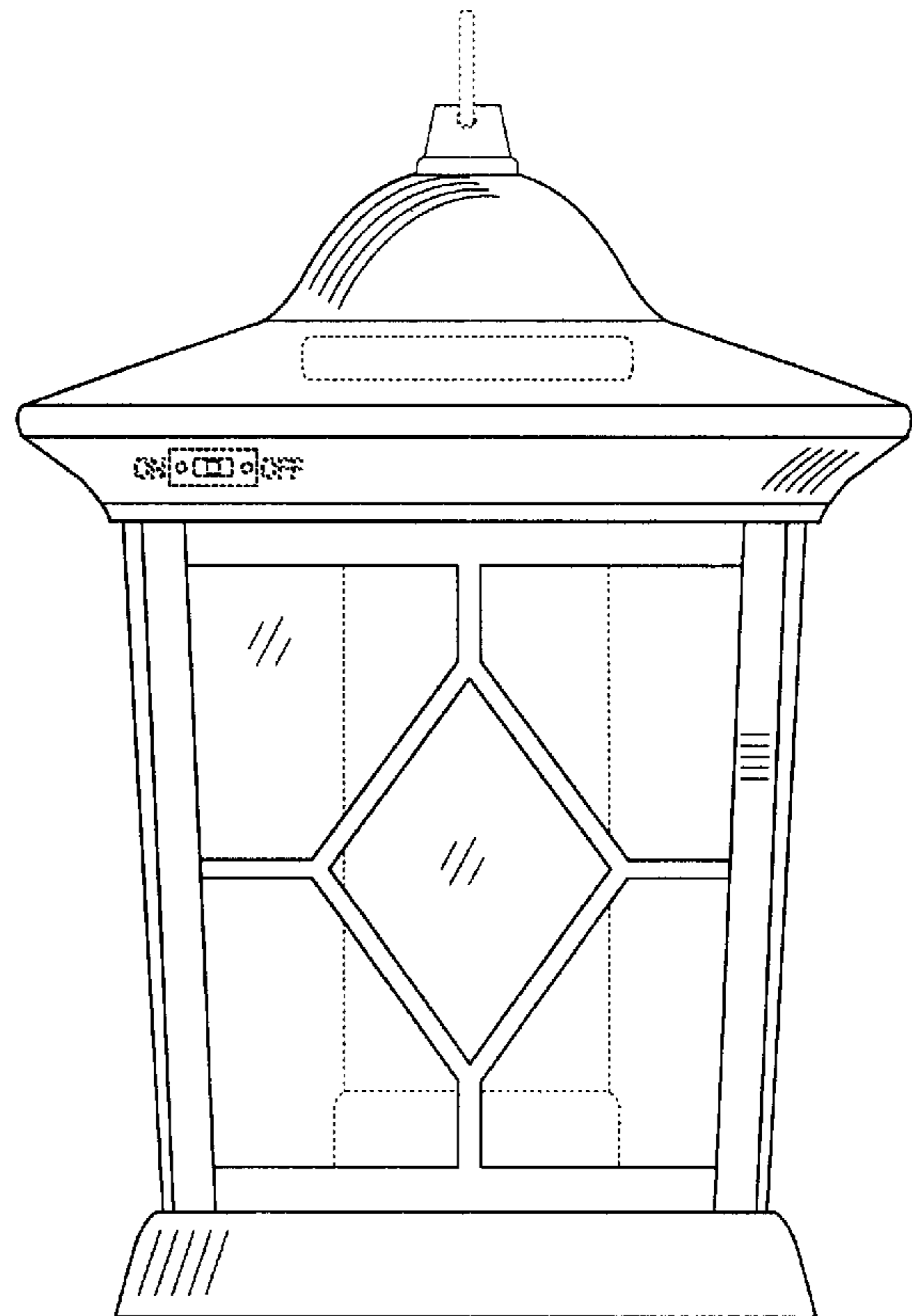


Figure 5

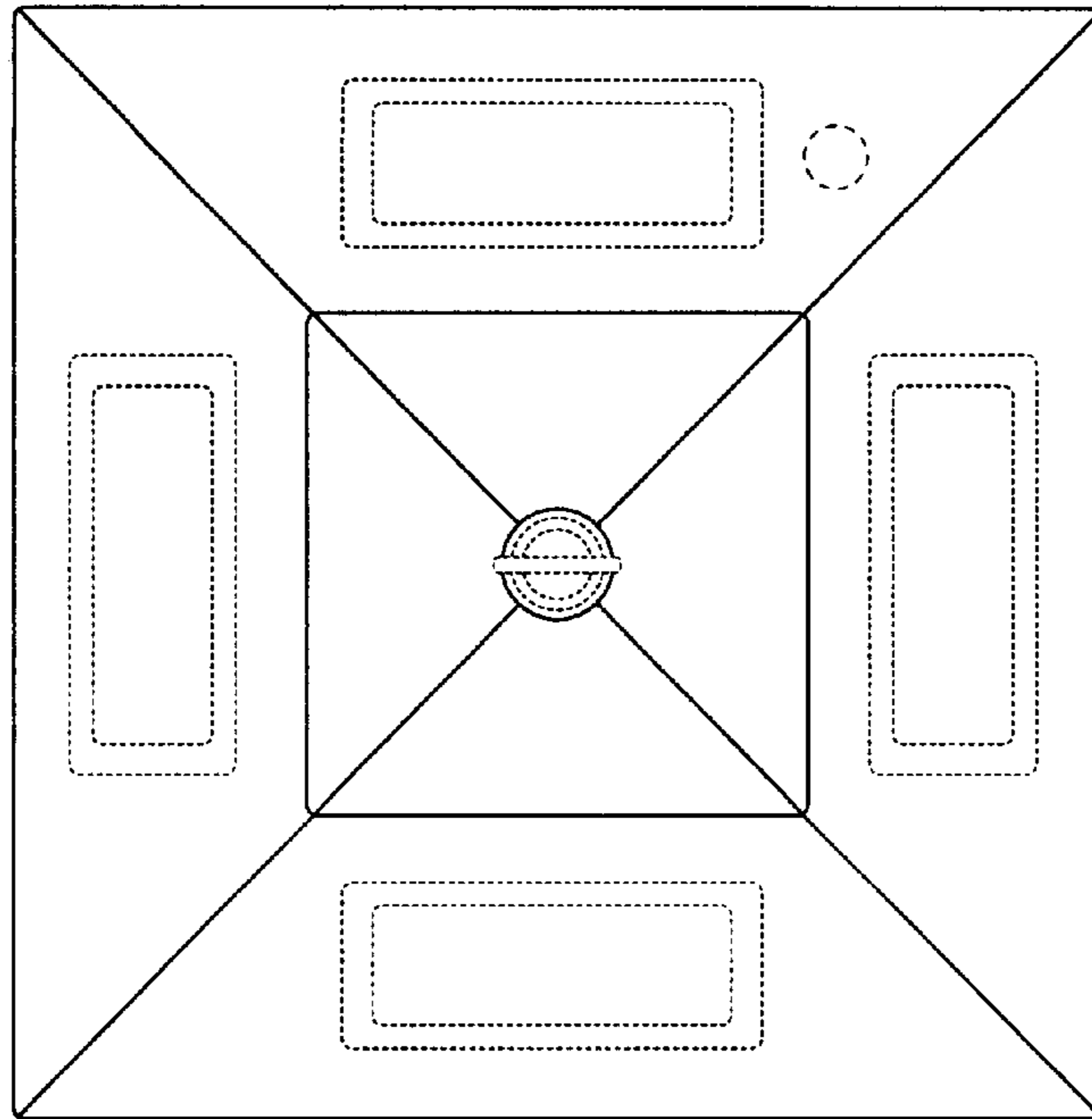


Figure 6

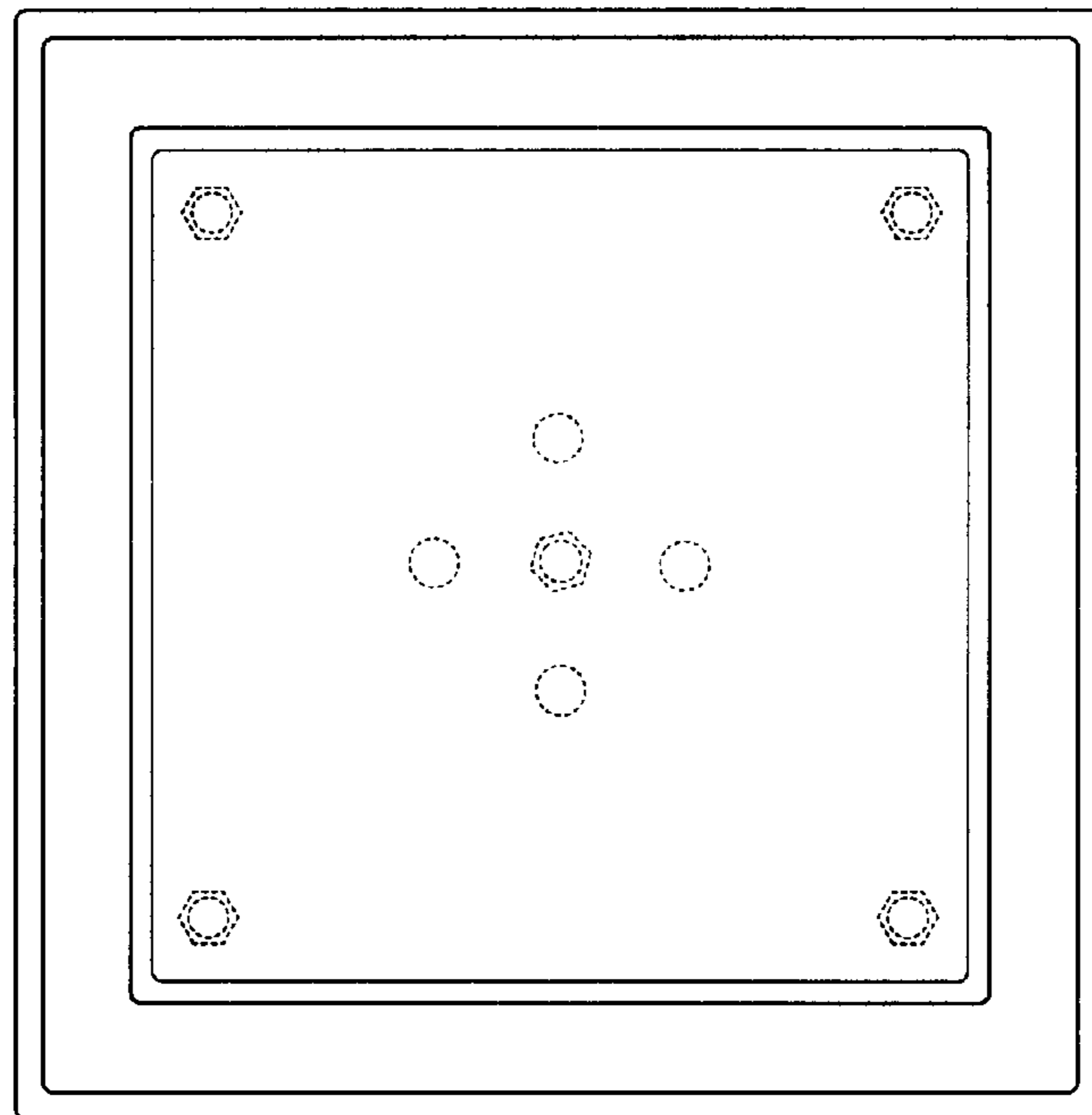


Figure 7