



US00D483893S

(12) **United States Design Patent** (10) **Patent No.:** **US D483,893 S**
Galvez (45) **Date of Patent:** **** Dec. 16, 2003**

(54) **SHOP LIGHT**

(75) Inventor: **James M. Galvez**, San Dimas, CA (US)

(73) Assignee: **National Electric Mfg. Corp.**, Commerce, CA (US)

(**) Term: **14 Years**

(21) Appl. No.: **29/176,537**

(22) Filed: **Feb. 25, 2003**

(51) **LOC (7) Cl.** **26-02**

(52) **U.S. Cl.** **D26/44; D26/50**

(58) **Field of Search** **D26/37-50; 362/157, 362/158, 171, 172, 173, 183-208**

(56) **References Cited**

U.S. PATENT DOCUMENTS

D440,678 S	*	4/2001	Yuen	D26/44
D458,400 S	*	6/2002	Kovacik et al.	D26/50

* cited by examiner

Primary Examiner—Marcus A. Jackson

(74) *Attorney, Agent, or Firm*—Edgar W. Averill, Jr.

(57) **CLAIM**

The ornamental design for a shop light.

DESCRIPTION

FIG. 1 is a perspective view showing the top, front, and left side of a shop light showing my new design, with the broken away area's indicating indeterminate length;

FIG. 2 is a perspective view showing the bottom, left side, and rear view thereof.

FIG. 3 is a front view thereof.

FIG. 4 is a rear view thereof.

FIG. 5 is a right side view thereof.

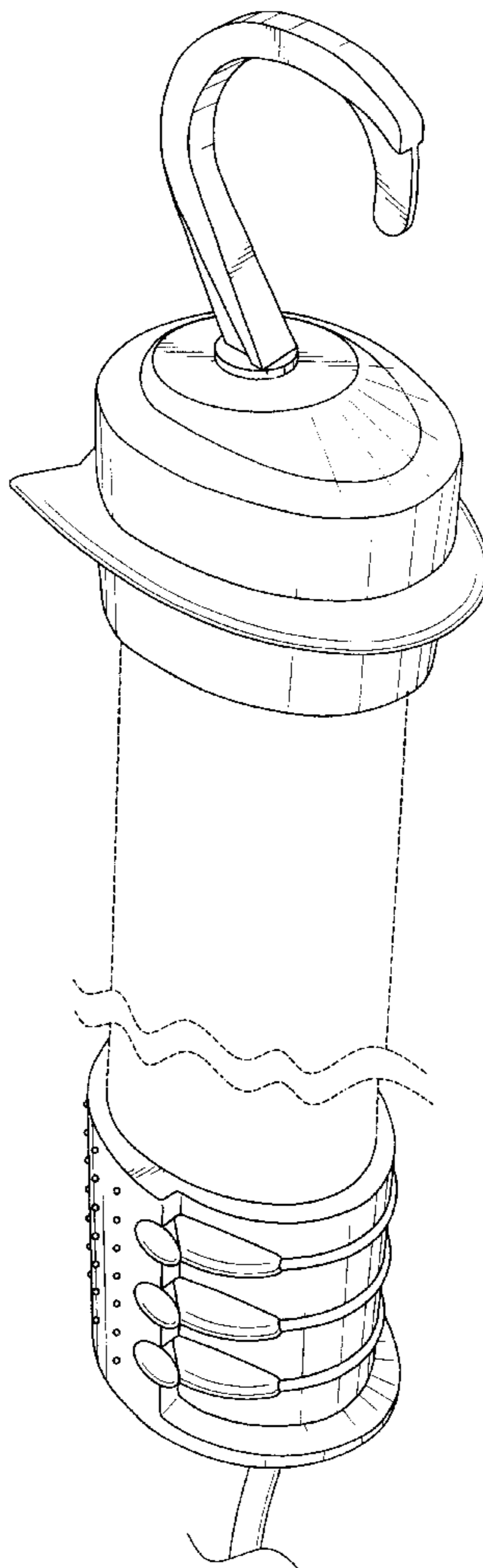
FIG. 6 is a top view thereof.

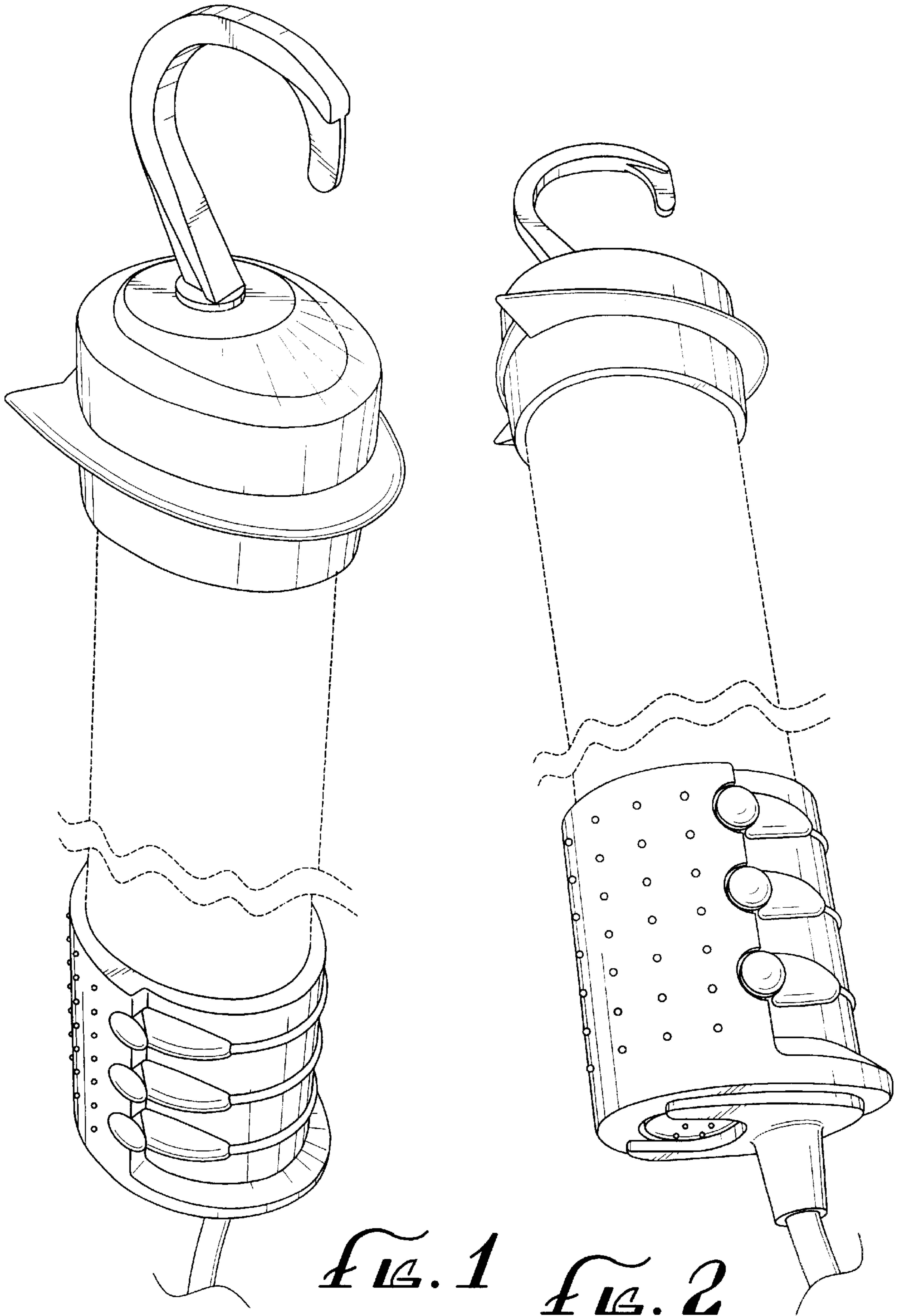
FIG. 7 is a bottom view thereof.

FIG. 8 is a perspective view analogous to FIG. 1, but showing an alternate embodiment of a transparent top thereof; and,

FIG. 9 is a top view of the shop light of FIG. 8.

1 Claim, 4 Drawing Sheets





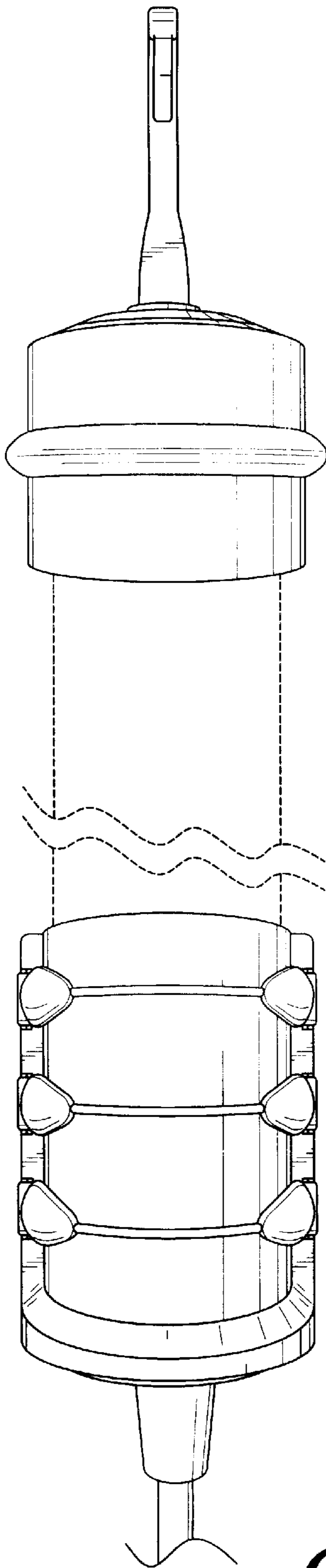


FIG. 3

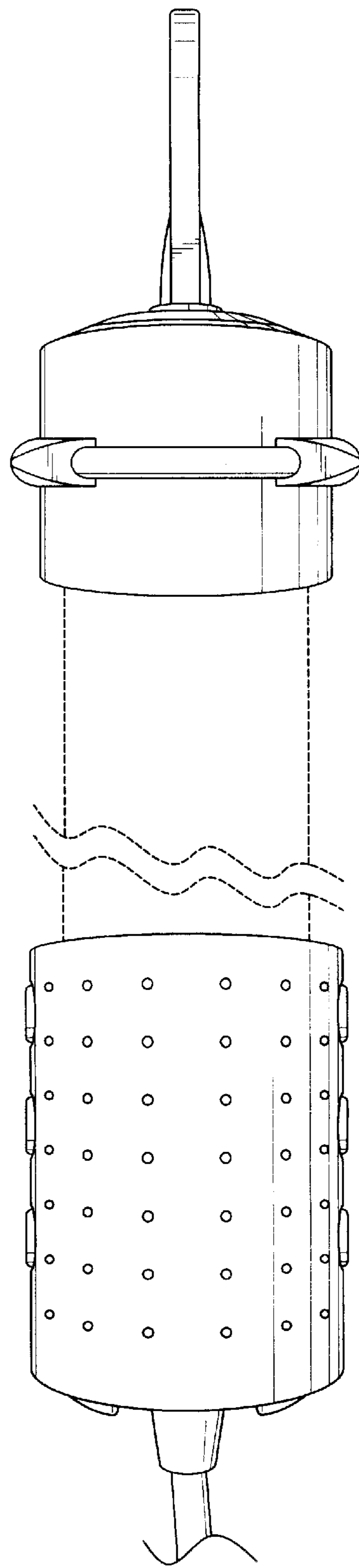


FIG. 4

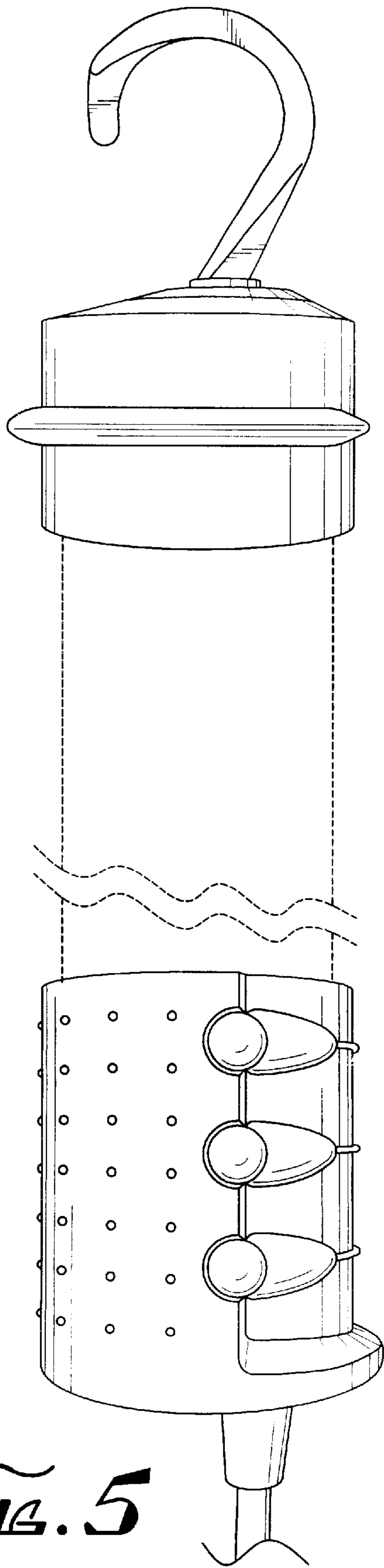


FIG. 5

FIG. 6

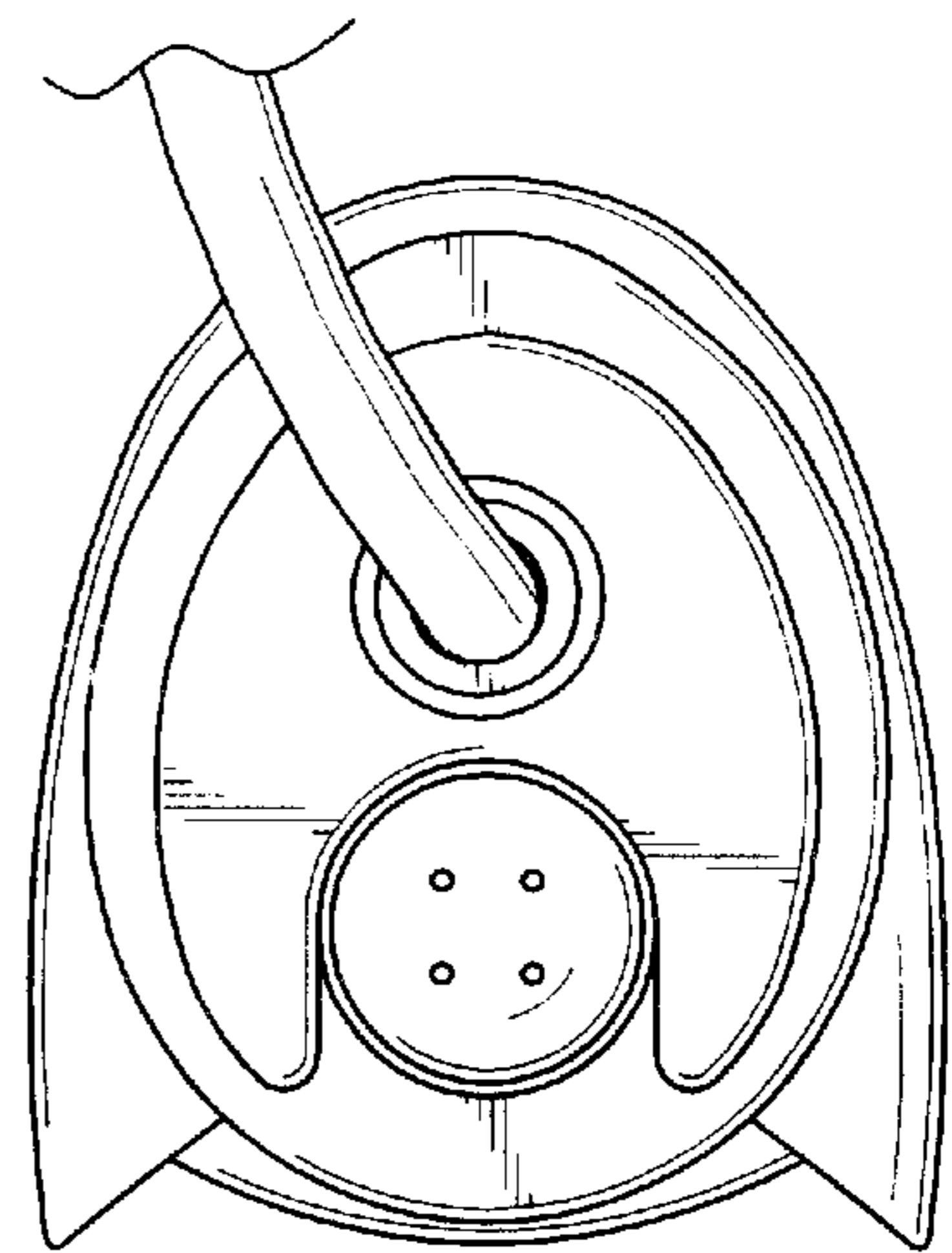
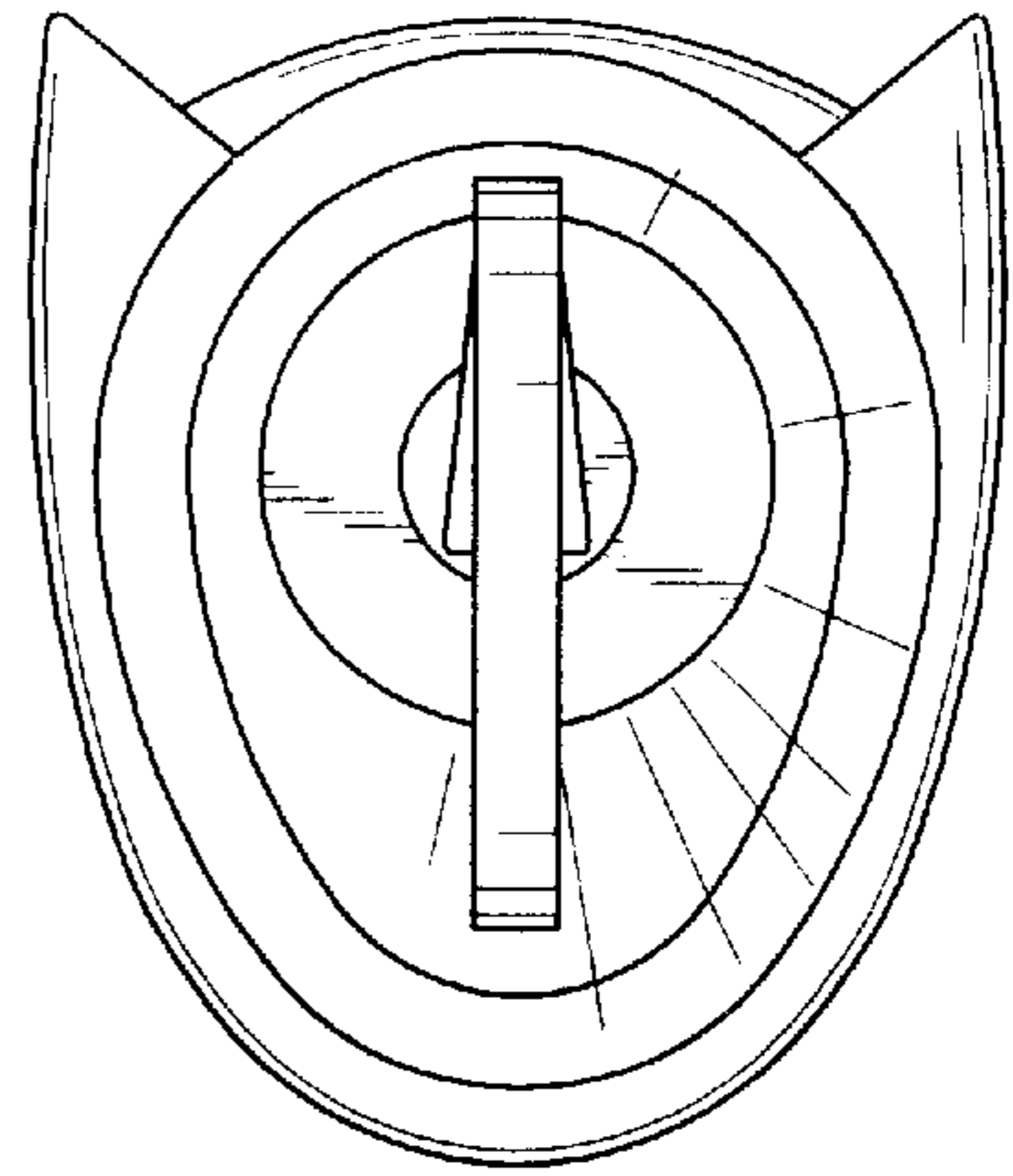


FIG. 7

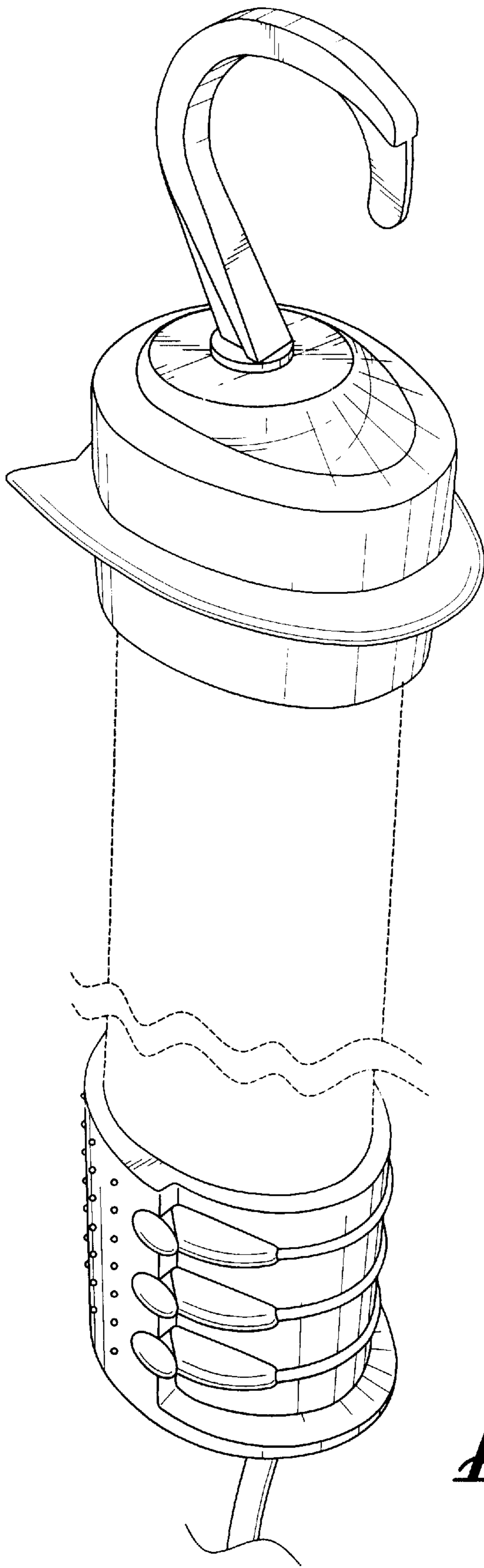


FIG. 8

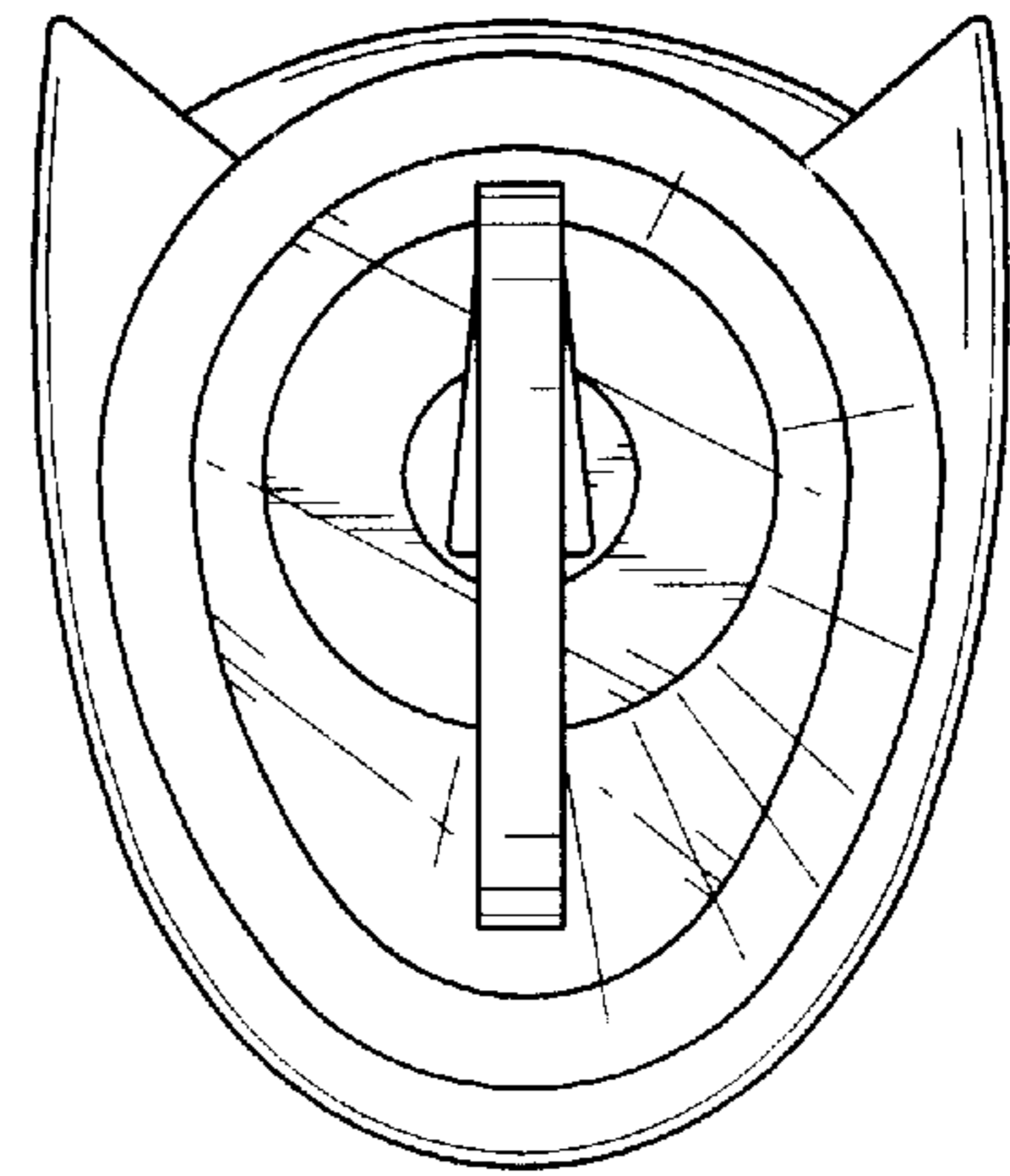


FIG. 9