



US00D483889S

(12) **United States Design Patent**  
**Chen**

(10) **Patent No.:** **US D483,889 S**

(45) **Date of Patent:** **\*\* Dec. 16, 2003**

(54) **AUTOMOBILE LIGHT**

D476,761 S \* 7/2003 Lin ..... D26/28

(75) **Inventor:** **Hsin-Liang Chen, Tainan (TW)**

\* cited by examiner

(73) **Assignee:** **TYC Brother Industrial Co., Ltd.,  
Tainan (TW)**

*Primary Examiner*—Marcus A. Jackson

(\*\*) **Term:** **14 Years**

(74) *Attorney, Agent, or Firm*—Fitzpatrick, Cella Harper & Scinto

(21) **Appl. No.:** **29/178,460**

(57) **CLAIM**

(22) **Filed:** **Mar. 27, 2003**

The ornamental design for automobile light, as shown and described.

(51) **LOC (7) Cl.** ..... **26-06**

(52) **U.S. Cl.** ..... **D26/28**

(58) **Field of Search** ..... D26/28–36; 362/61,  
362/80, 81, 82, 83, 83.3, 267, 269, 330–340

**DESCRIPTION**

(56) **References Cited**

**U.S. PATENT DOCUMENTS**

D427,342 S \* 6/2000 Hunter et al. .... D26/28

D476,760 S \* 7/2003 Lin ..... D26/28

FIG. 1 is a perspective view of automobile light showing the new design;

FIG. 2 is a front elevational view thereof;

FIG. 3 is a rear elevational view thereof;

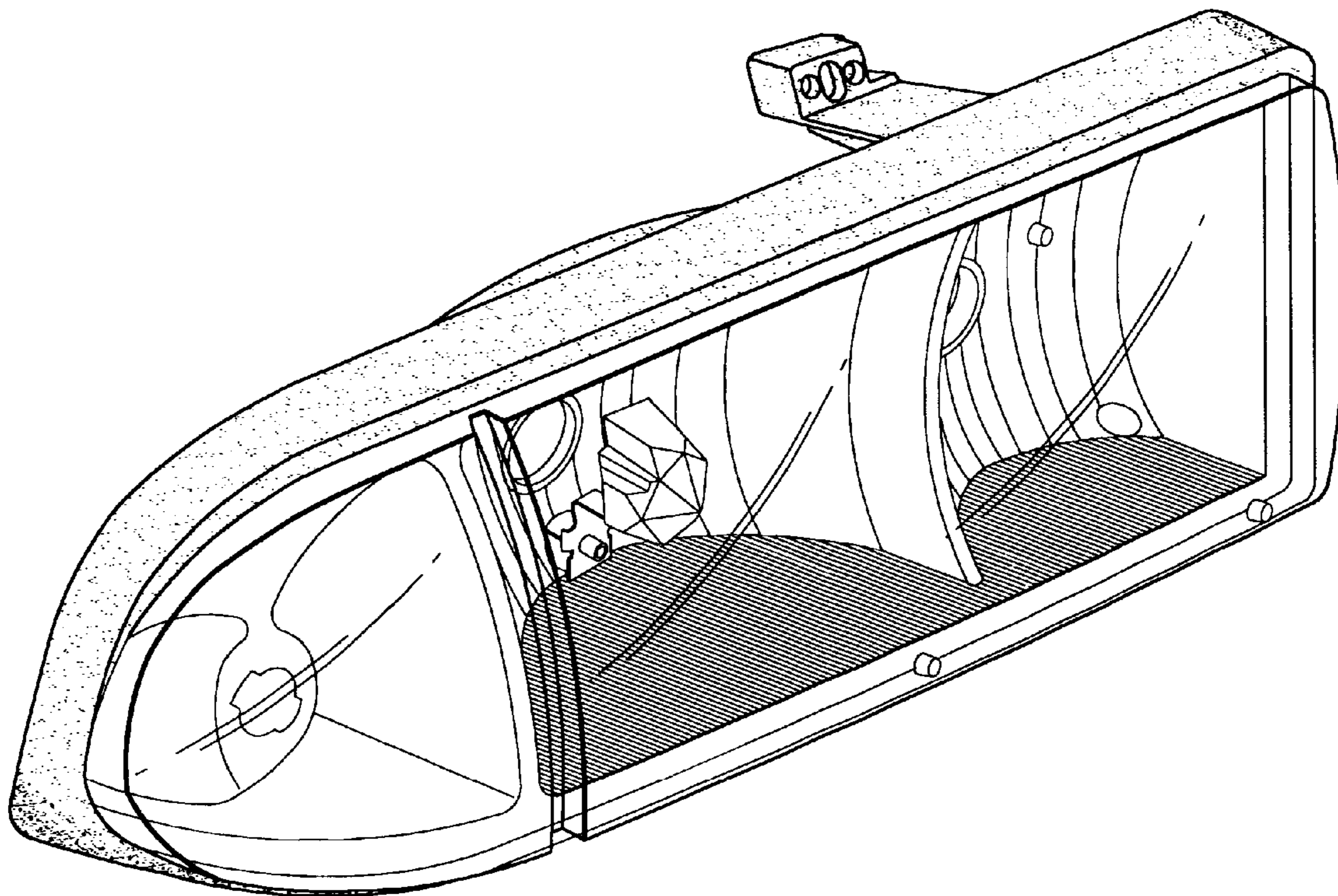
FIG. 4 is a left side elevational view thereof;

FIG. 5 is a right side elevational view thereof;

FIG. 6 is a top plan view thereof; and,

FIG. 7 is a bottom plan view thereof.

**1 Claim, 4 Drawing Sheets**



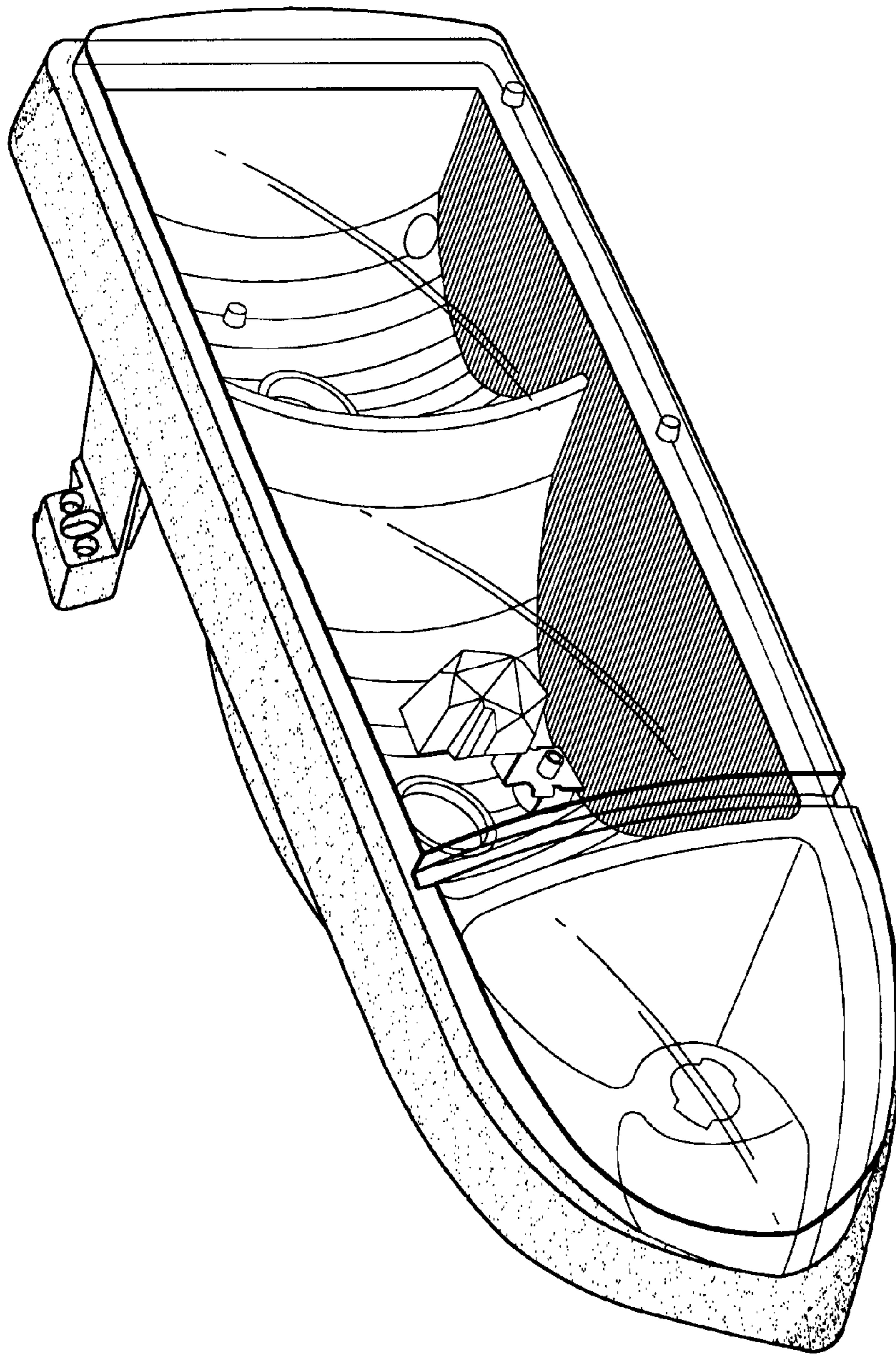


FIG. 1

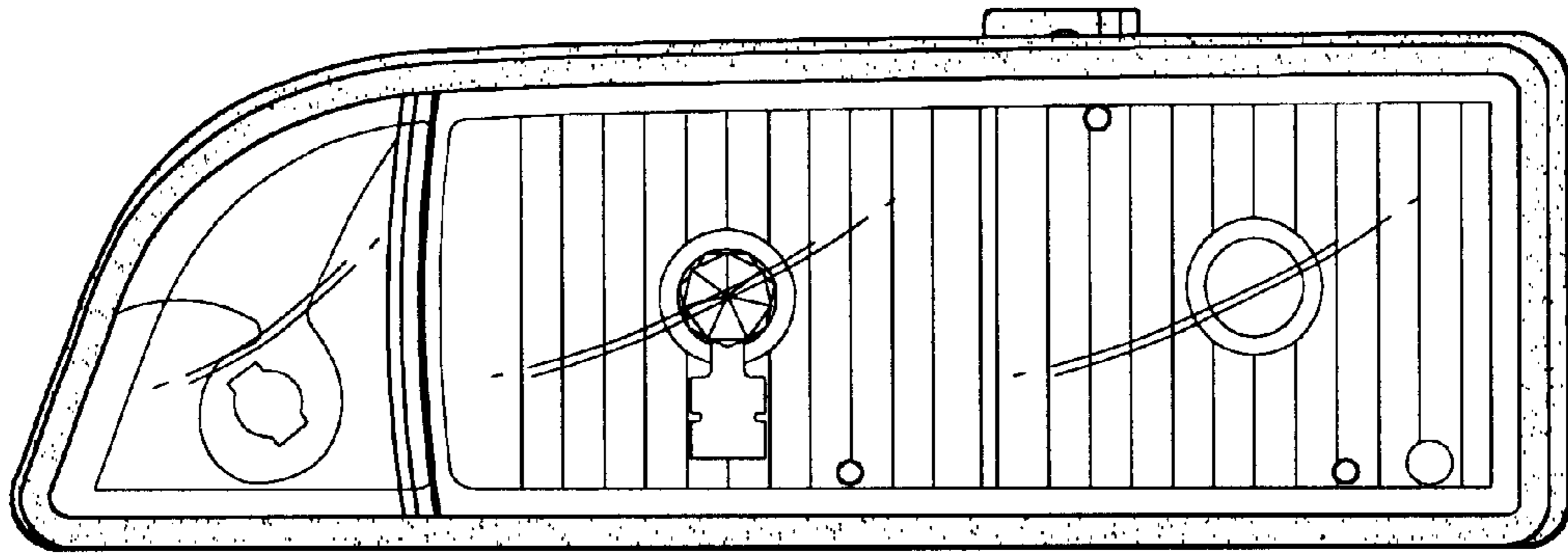


FIG. 2

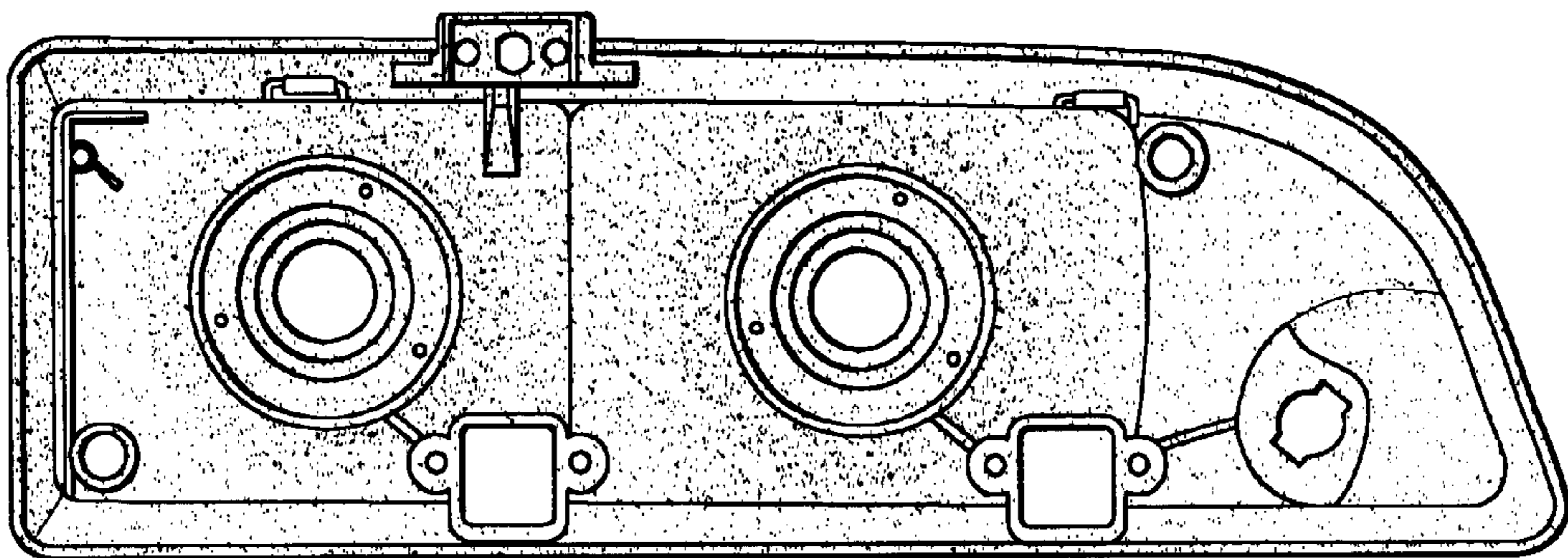


FIG. 3



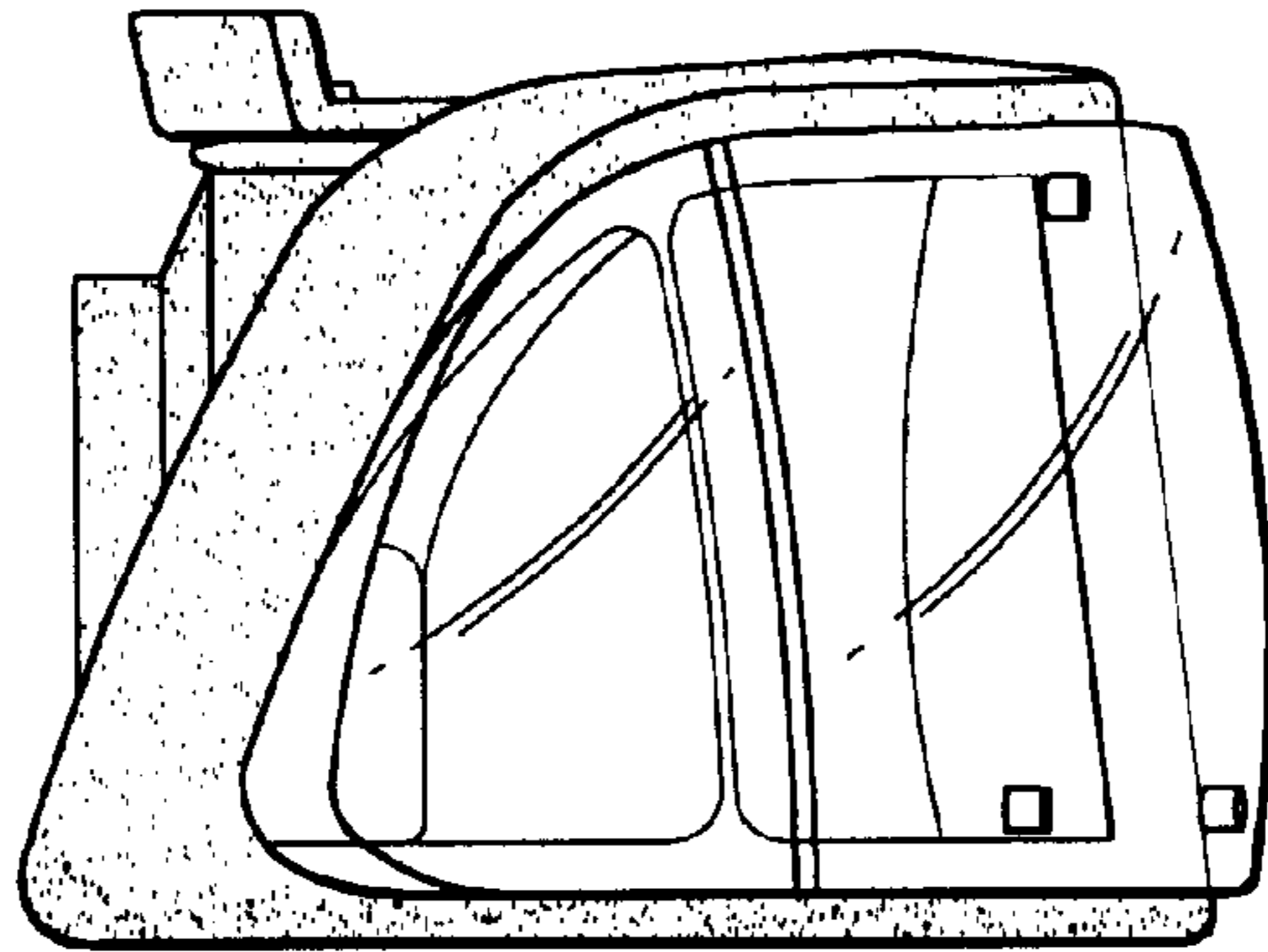


FIG. 4

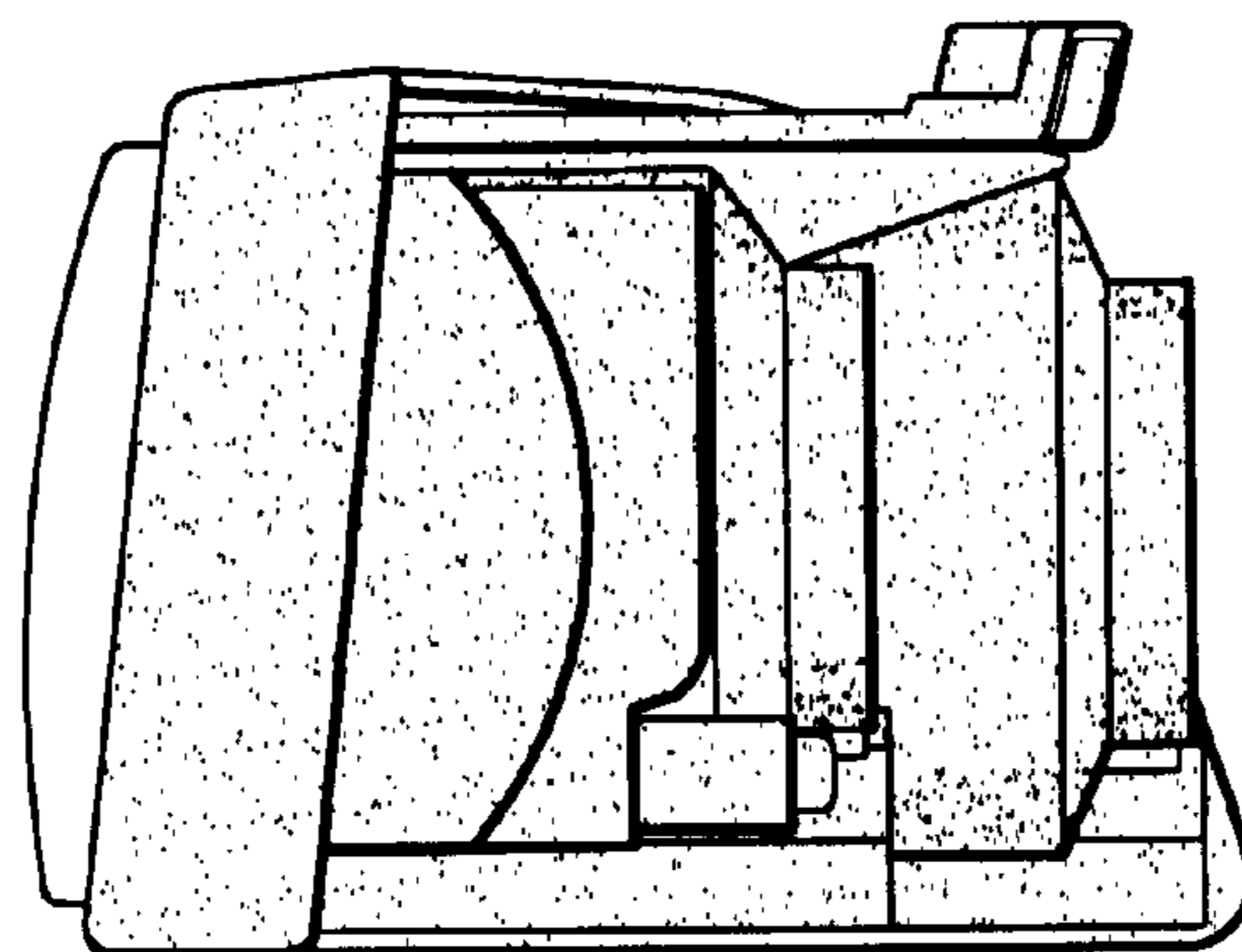


FIG. 5

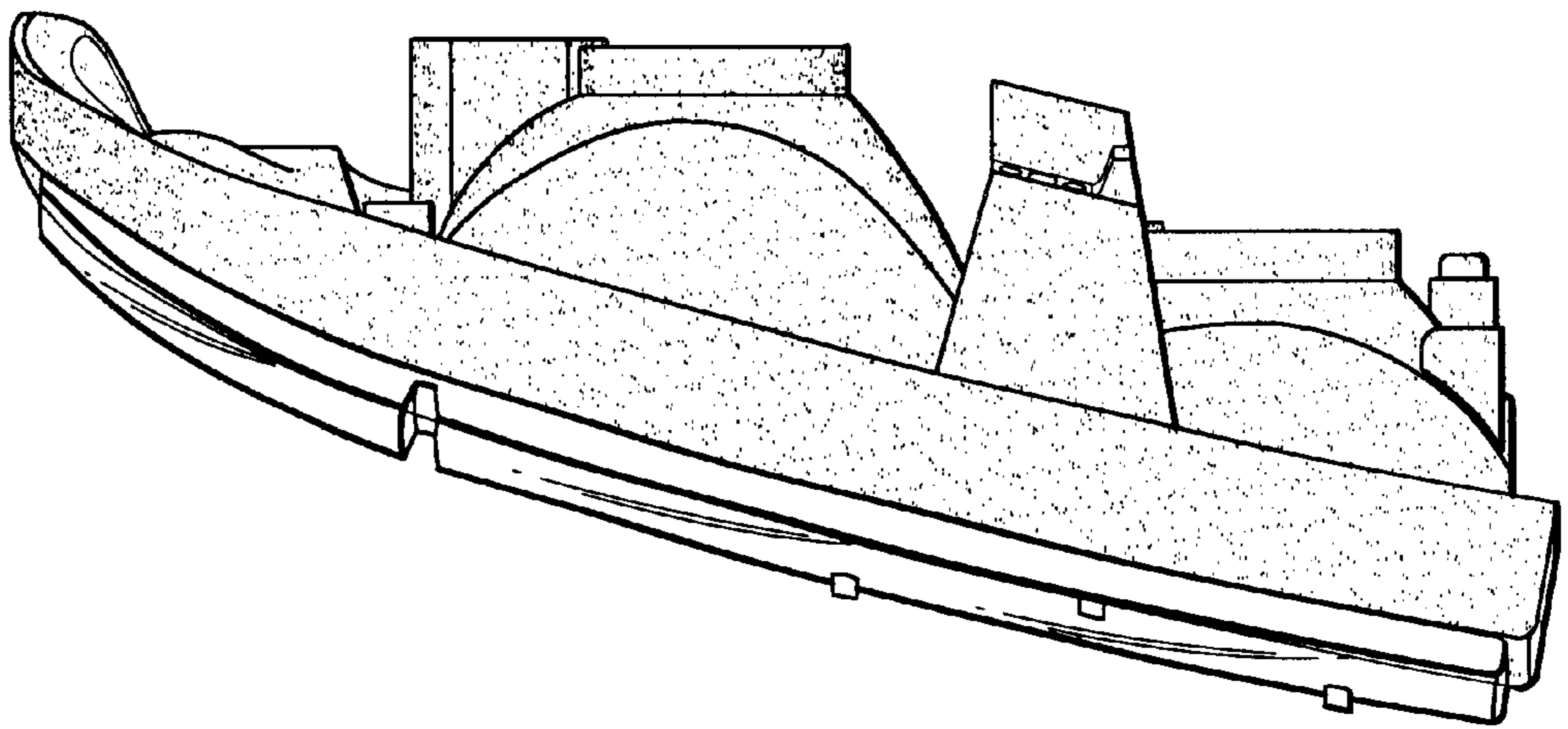


FIG. 6

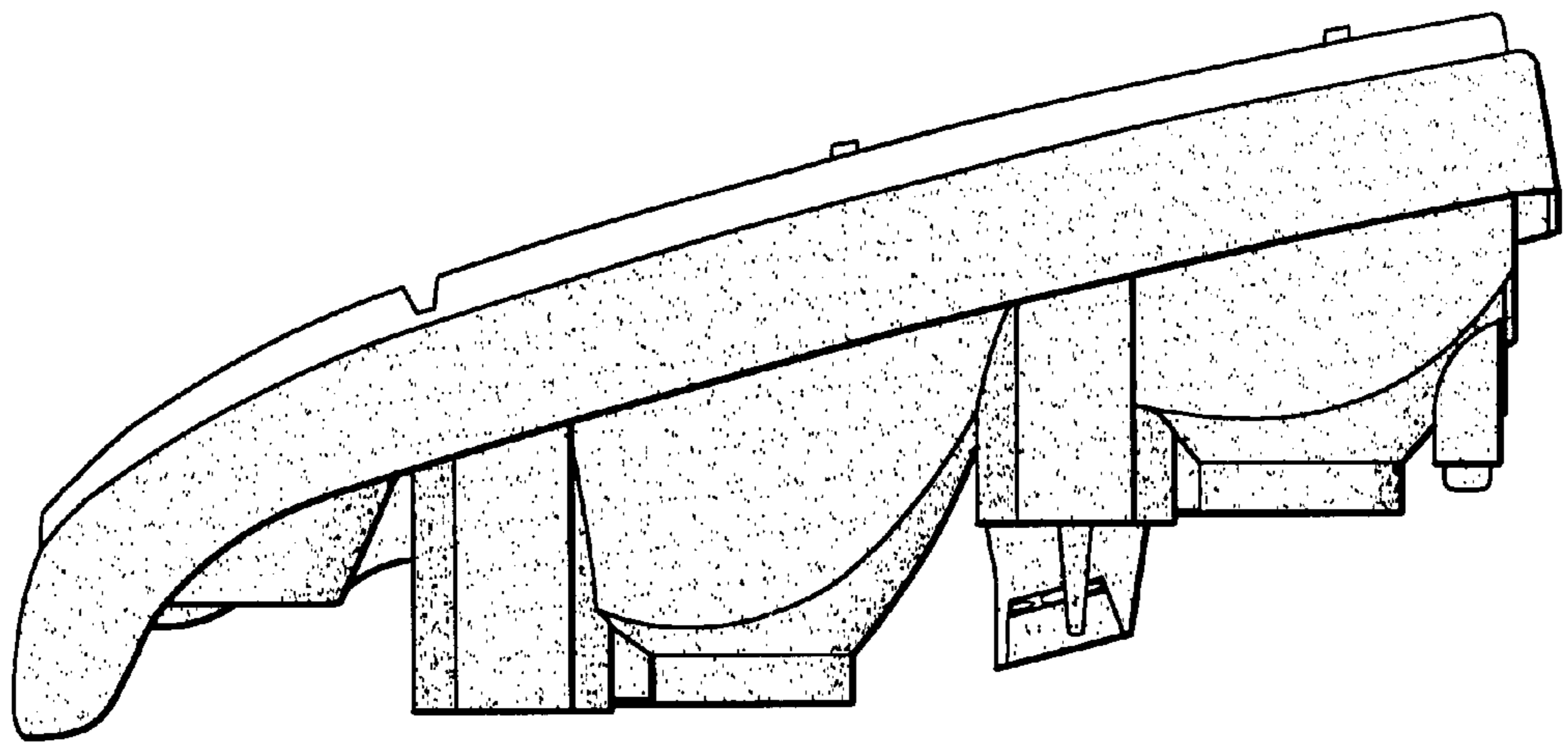


FIG. 7