



US00D483887S

(12) **United States Design Patent**
Hoshino

(10) **Patent No.:** **US D483,887 S**

(45) **Date of Patent:** **** Dec. 16, 2003**

(54) **HEAD LIGHT COVER FOR MOTORCYCLE**

D471,659 S * 3/2003 Jacobs D26/28

(75) Inventor: **Shigeru Hoshino**, Tokyo (JP)

* cited by examiner

(73) Assignee: **Yamaha Hatsudoki Kabushiki Kaisha**
(JP)

Primary Examiner—Marcus A. Jackson

(74) *Attorney, Agent, or Firm*—Ostrolenk, Faber, Gerb &
Soffen, LLP

(**) Term: **14 Years**

(57) **CLAIM**

(21) Appl. No.: **29/174,555**

The ornamental design for a head light cover for motorcycle,
as shown and described.

(22) Filed: **Jan. 16, 2003**

(51) **LOC (7) Cl.** **26-06**

(52) **U.S. Cl.** **D26/28**

(58) **Field of Search** D26/28–36; 362/61,
362/80, 81, 82, 83, 83.4, 267, 269, 275,
330–340

DESCRIPTION

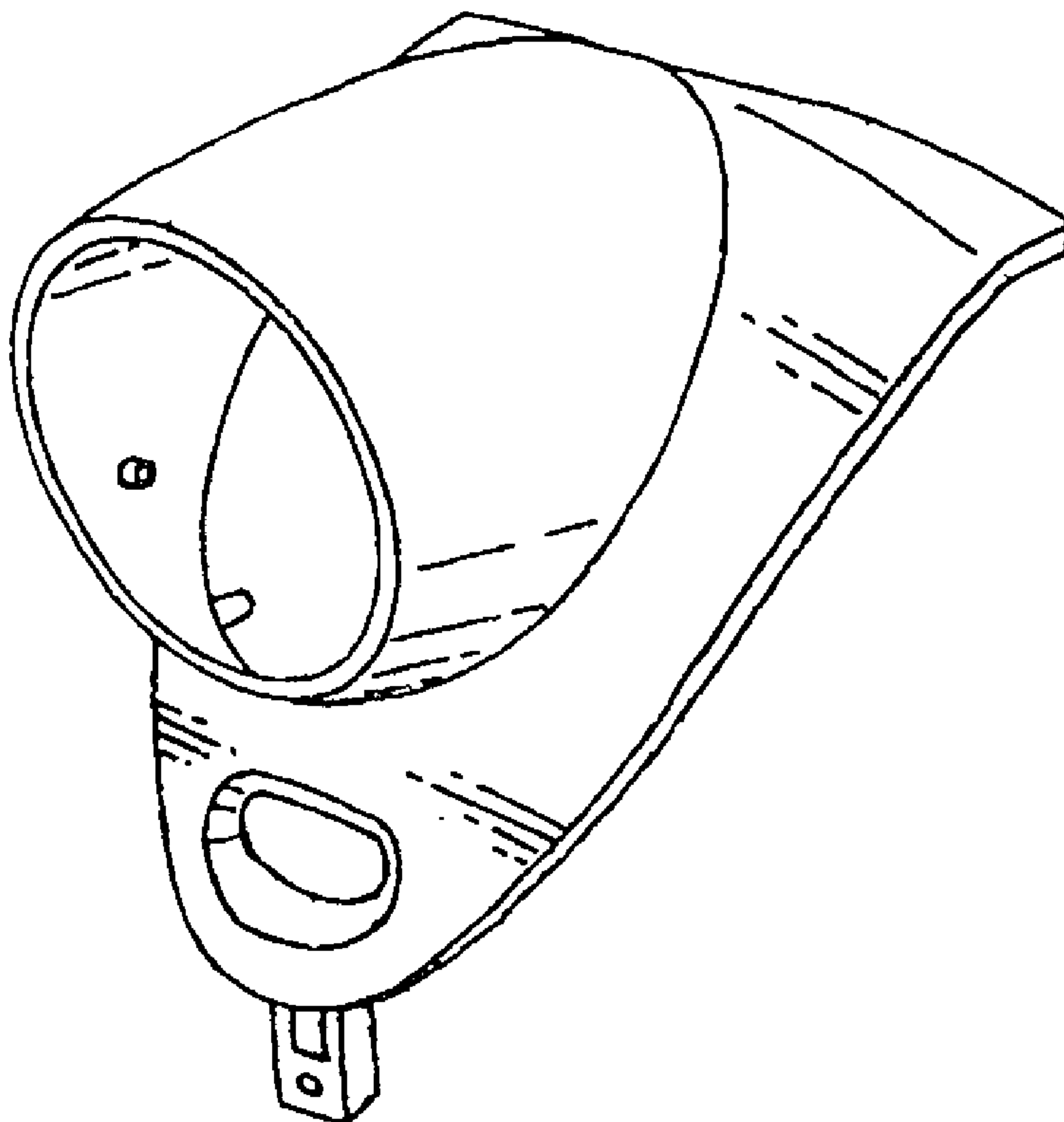
FIG. 1 is a front perspective view of a head light cover for
motorcycle showing my new design;
FIG. 2 is a rear perspective view thereof;
FIG. 3 is a front view thereof;
FIG. 4 is a rear view thereof;
FIG. 5 is a left side view thereof;
FIG. 6 is a right side view thereof;
FIG. 7 is a top plan view thereof; and,
FIG. 8 is a bottom plan view thereof.

(56) **References Cited**

U.S. PATENT DOCUMENTS

D397,475 S * 8/1998 Jacobs D26/28
D423,126 S * 4/2000 Doss D26/28
D440,675 S * 4/2001 Okuda D26/28

1 Claim, 3 Drawing Sheets



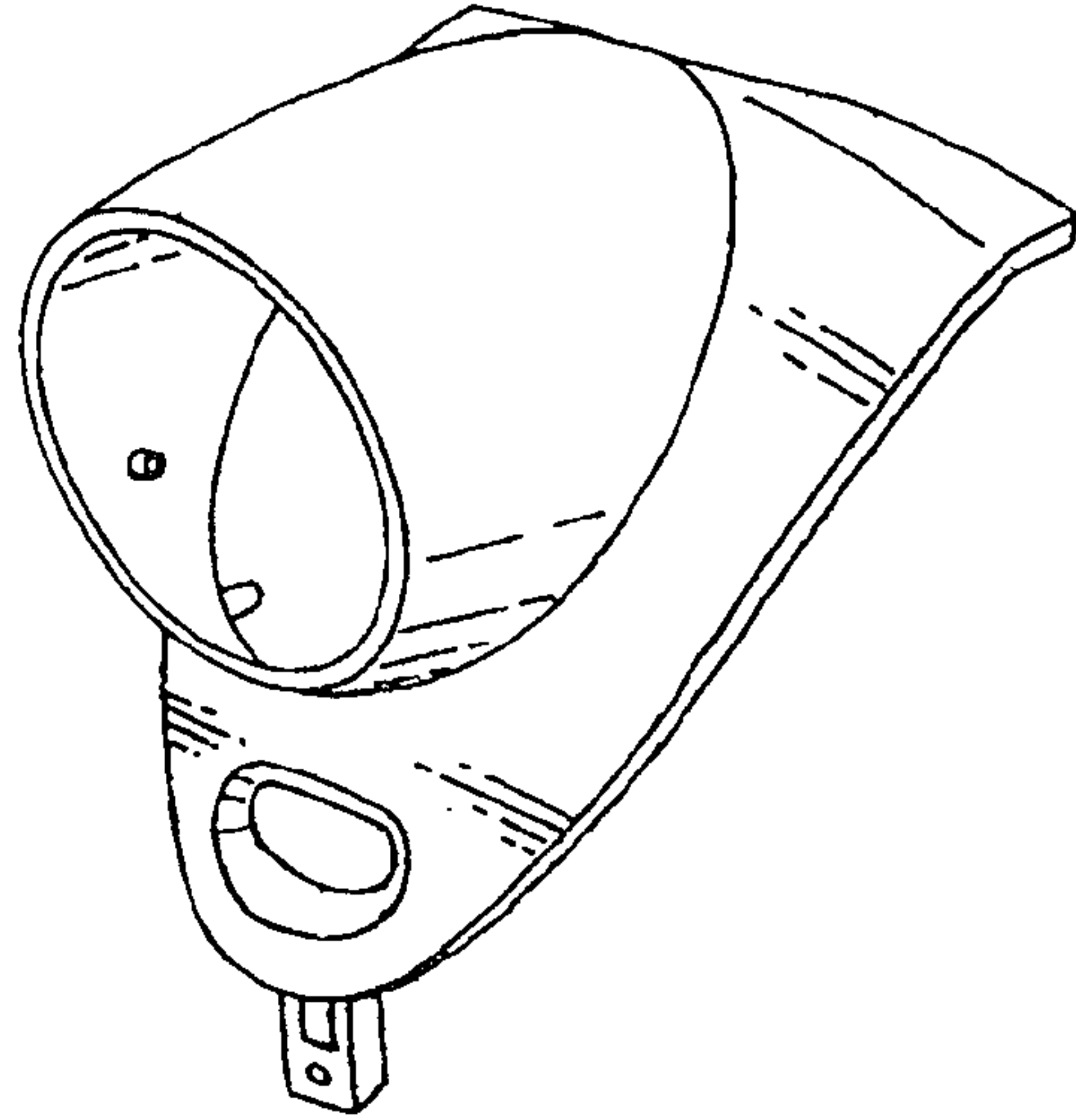


FIG. 1

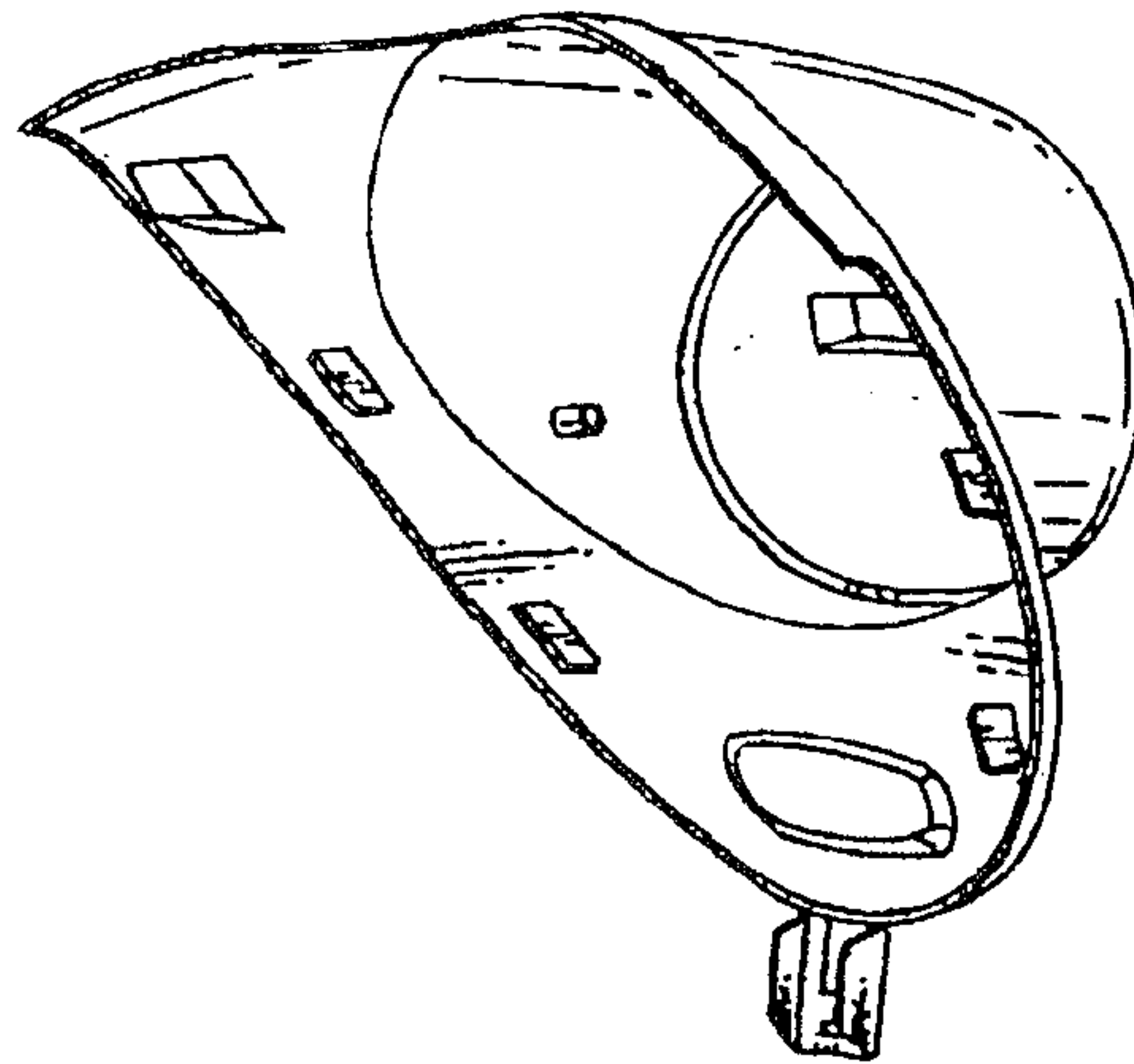


FIG. 2

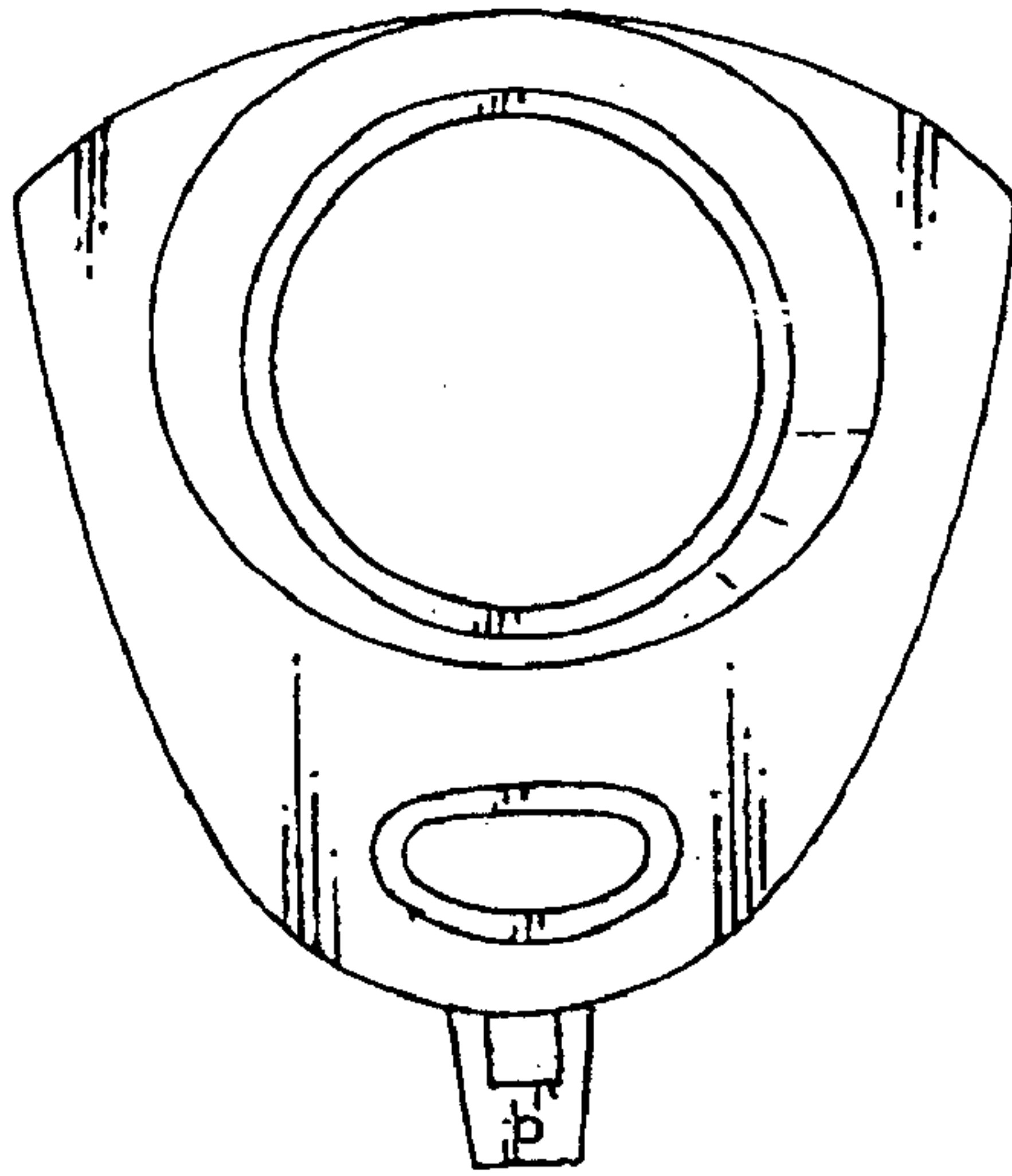


FIG. 3

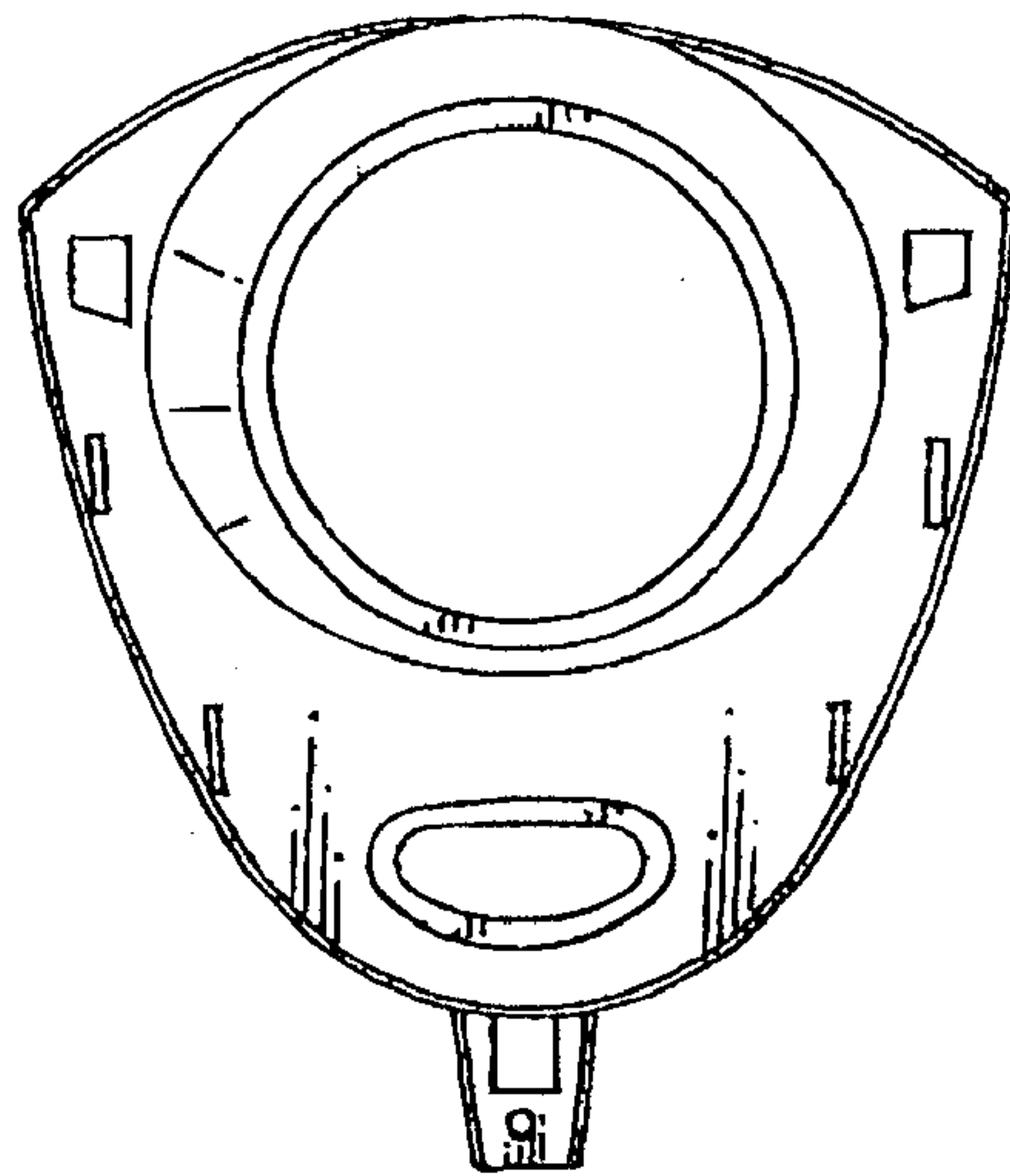


FIG. 4

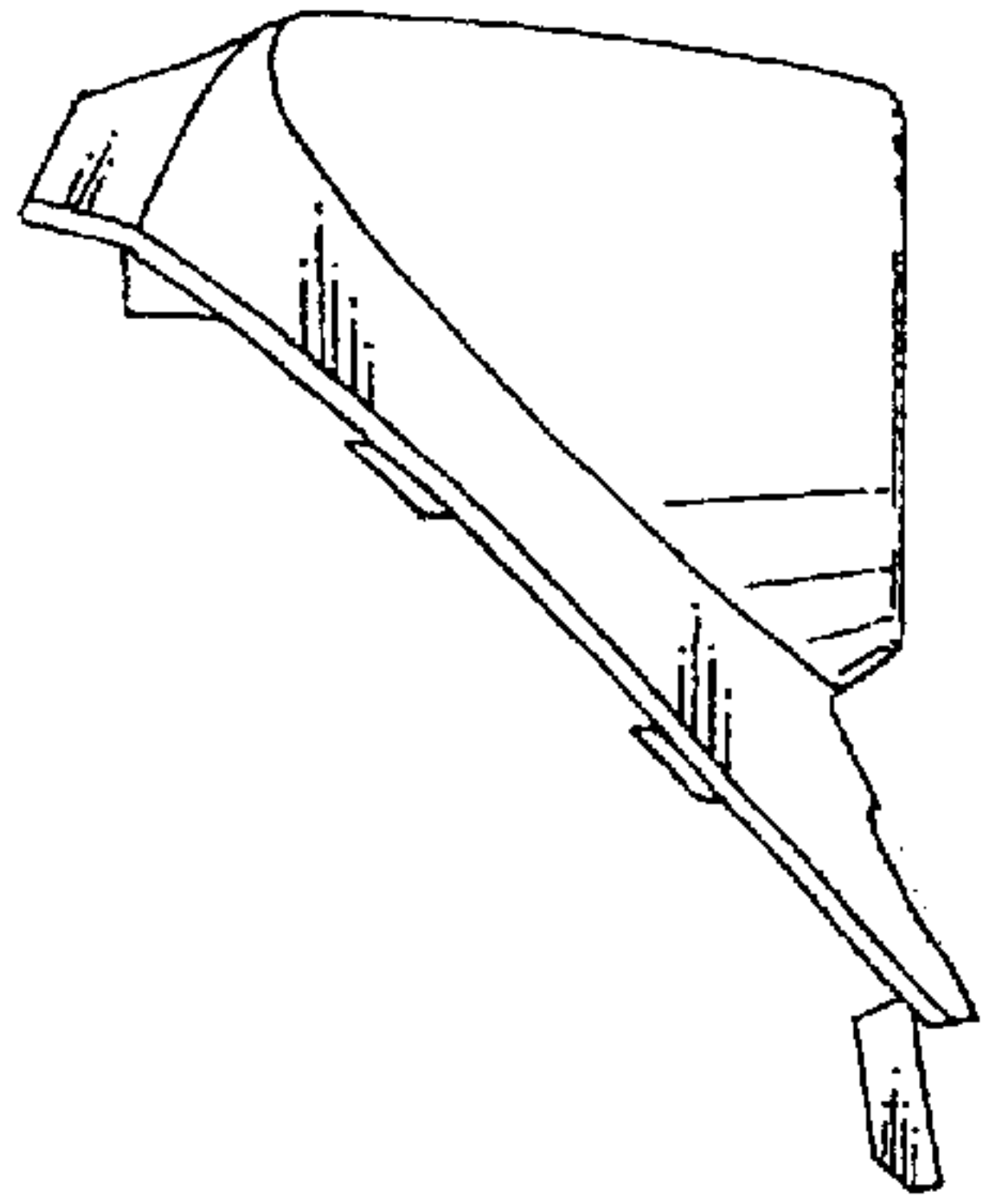


FIG. 5

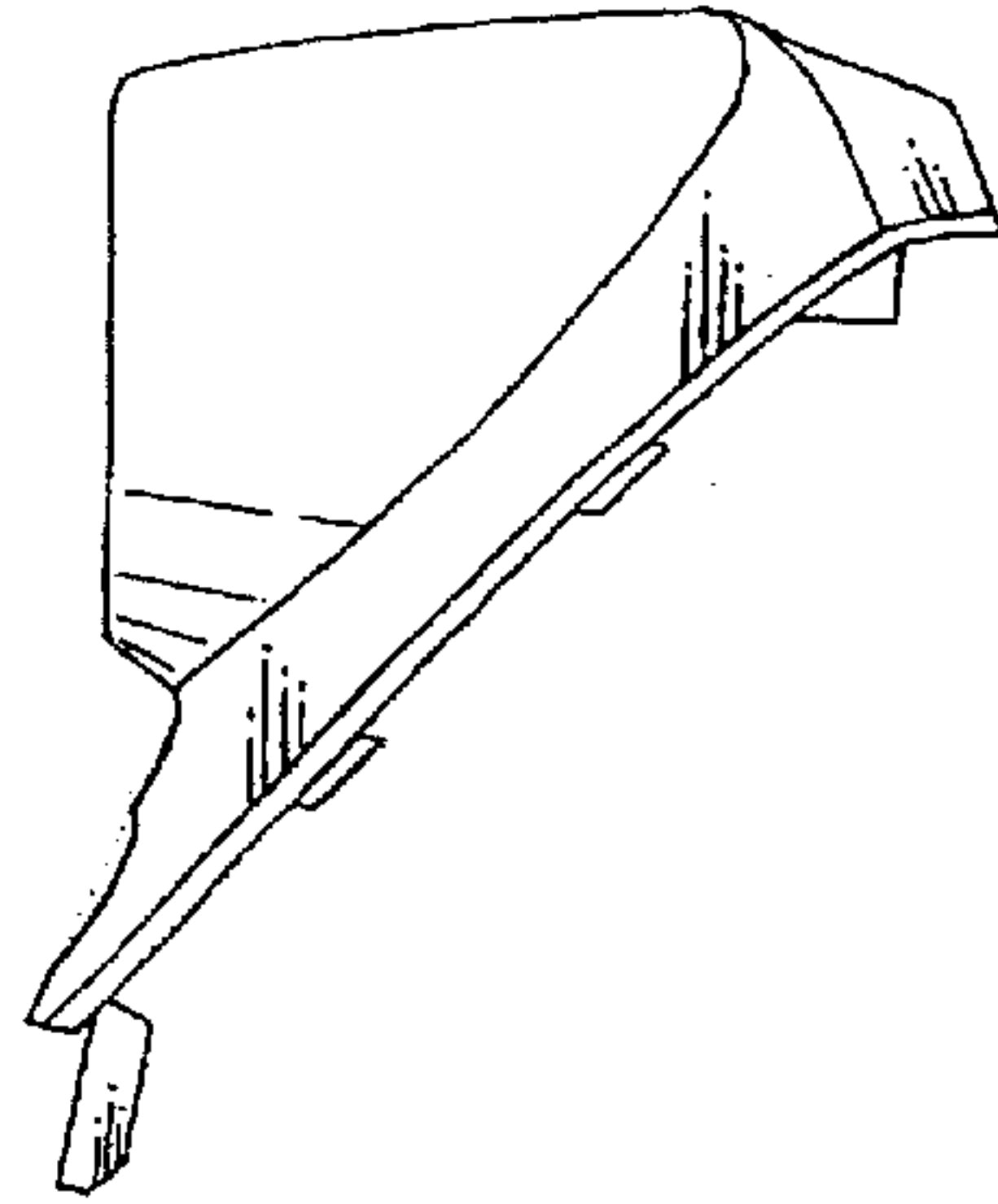


FIG. 6

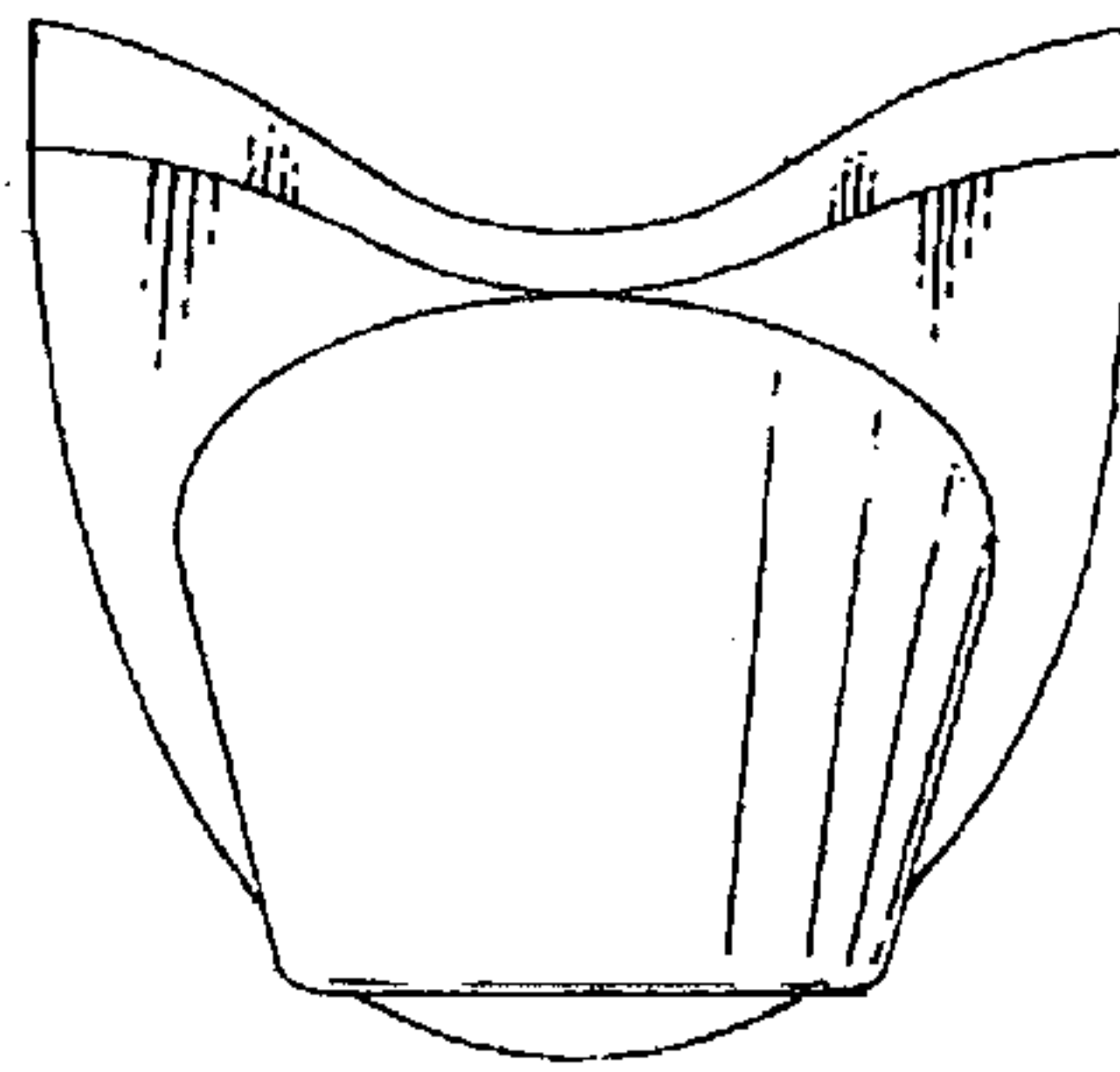


FIG. 7

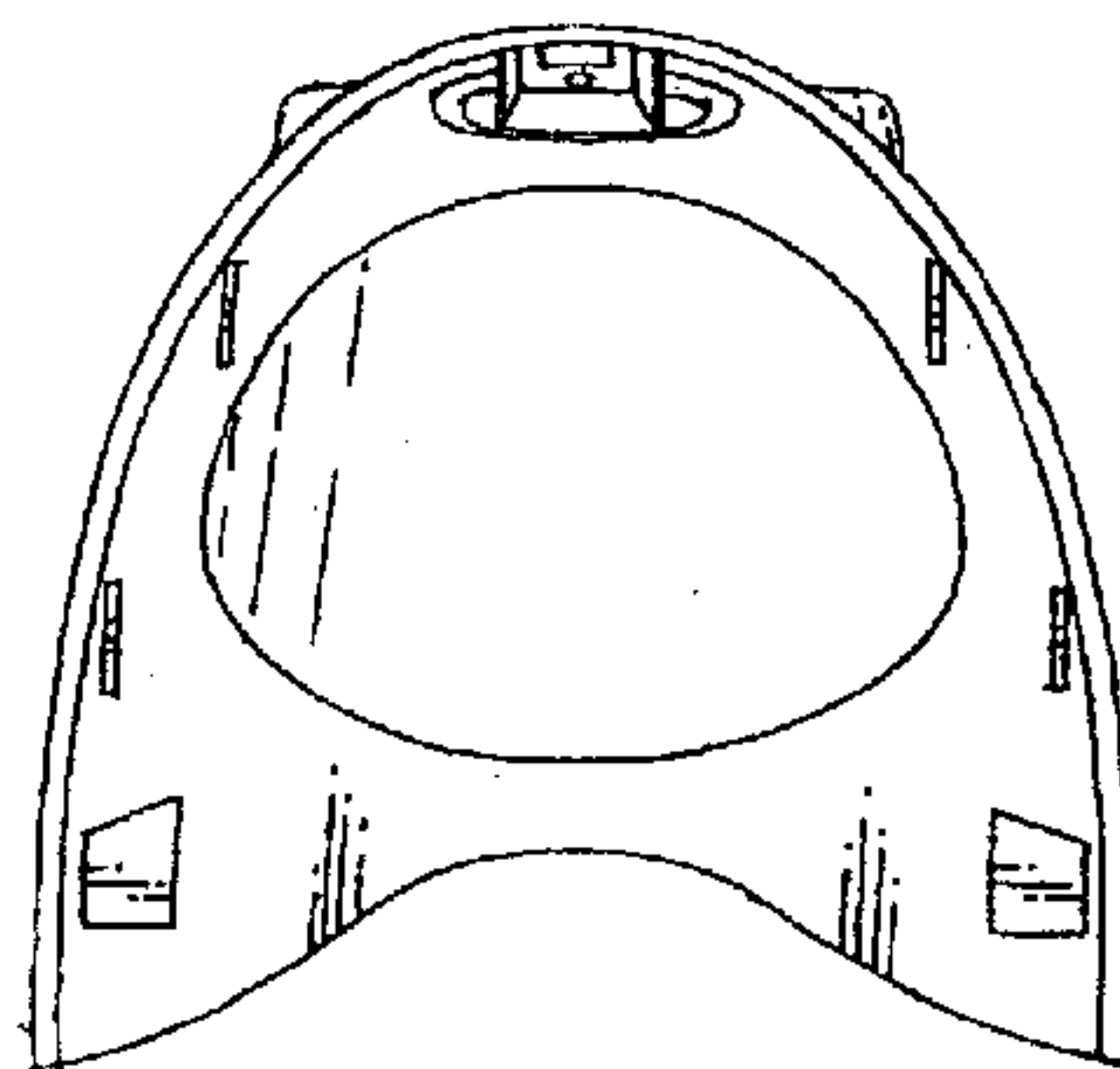


FIG. 8