



US00D483885S

(12) **United States Design Patent**
Lin et al.

(10) **Patent No.:** **US D483,885 S**

(45) **Date of Patent:** **** Dec. 16, 2003**

(54) **ENERGY SAVING LIGHT**

(75) **Inventors:** **Weixiong Lin**, Shunde (CN); **Jianxiong Peng**, Shunde (CN)

(73) **Assignee:** **Guangdong Weixiong Group Co. Ltd.**, Guangdong Province (CH)

(**) **Term:** **14 Years**

(21) **Appl. No.:** **29/150,588**

(22) **Filed:** **Nov. 23, 2001**

(30) **Foreign Application Priority Data**

May 24, 2001 (CN) 01 3 25517

(51) **LOC (7) Cl.** **26-04**

(52) **U.S. Cl.** **D26/3**

(58) **Field of Search** D26/1, 2, 3, 4;
313/110, 313, 315, 317, 318, 491, 493,
567, 568; 315/56, 57, 58, 73

(56) **References Cited**

U.S. PATENT DOCUMENTS

D439,681 S * 3/2001 Choi D26/3

D447,254 S * 8/2001 Takeuchi D26/3

D447,823 S * 9/2001 Choi D26/3

D464,154 S * 10/2002 Xu D26/3

* cited by examiner

Primary Examiner—Marcus A. Jackson

(74) *Attorney, Agent, or Firm*—Intellectual Property Law Group LLP; Otto O. Lee; Juneko Jackson

(57) **CLAIM**

The ornamental design for an energy saving light, as shown and described.

DESCRIPTION

FIG. 1 is a bottom plan of view an energy saving light showing our new design;

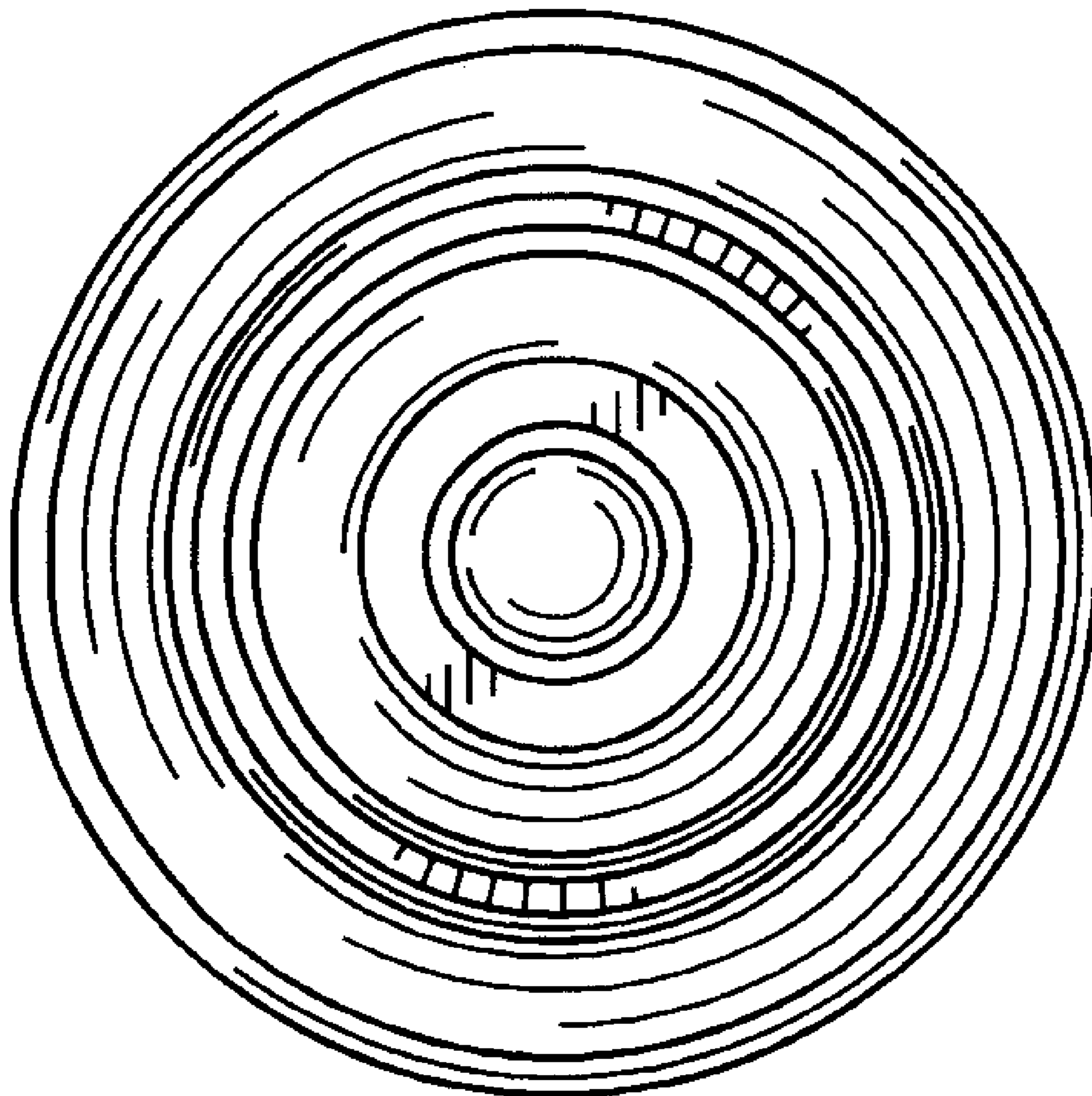
FIG. 2 is a front elevational view thereof;

FIG. 3 is a right side elevational view thereof;

FIG. 4 is a top plan view thereof; and,

FIG. 5 is a rear elevational view thereof.

1 Claim, 3 Drawing Sheets



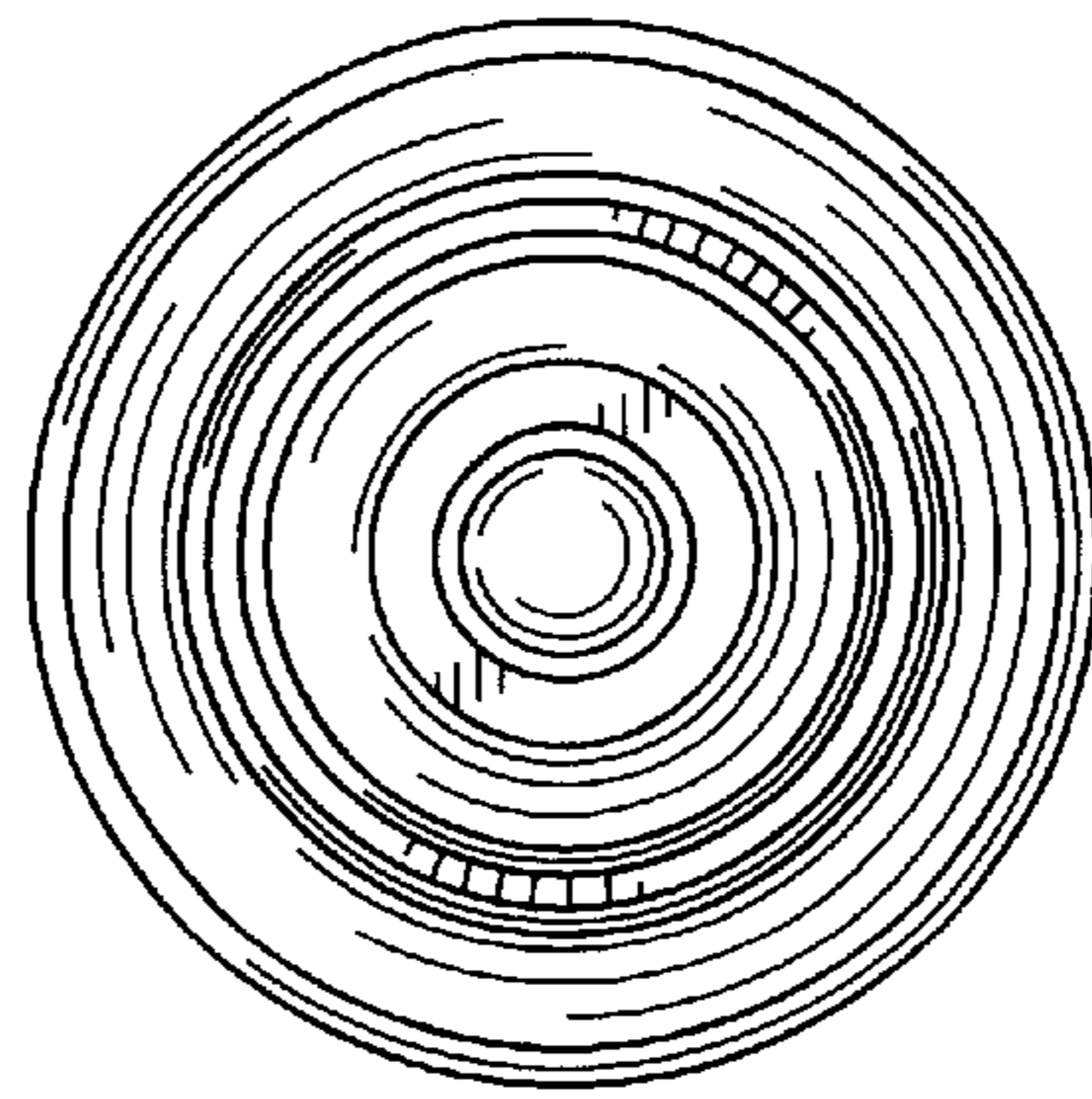


FIG. 1

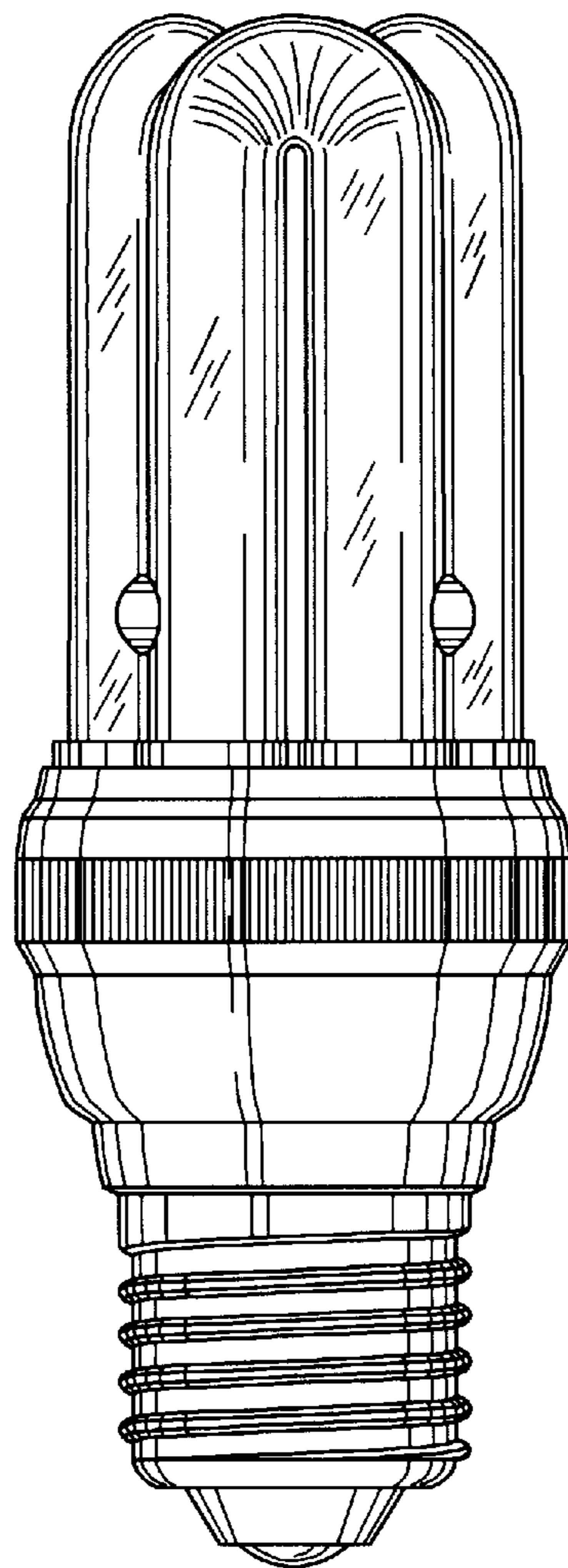


FIG. 2

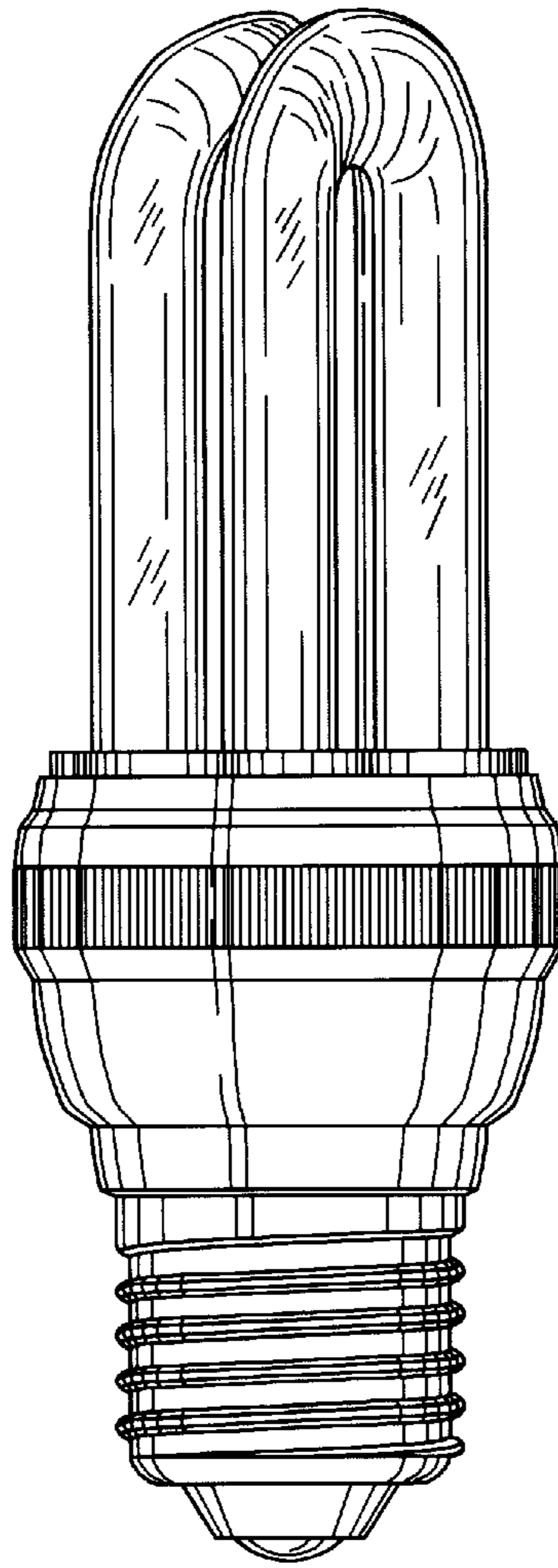


FIG. 3

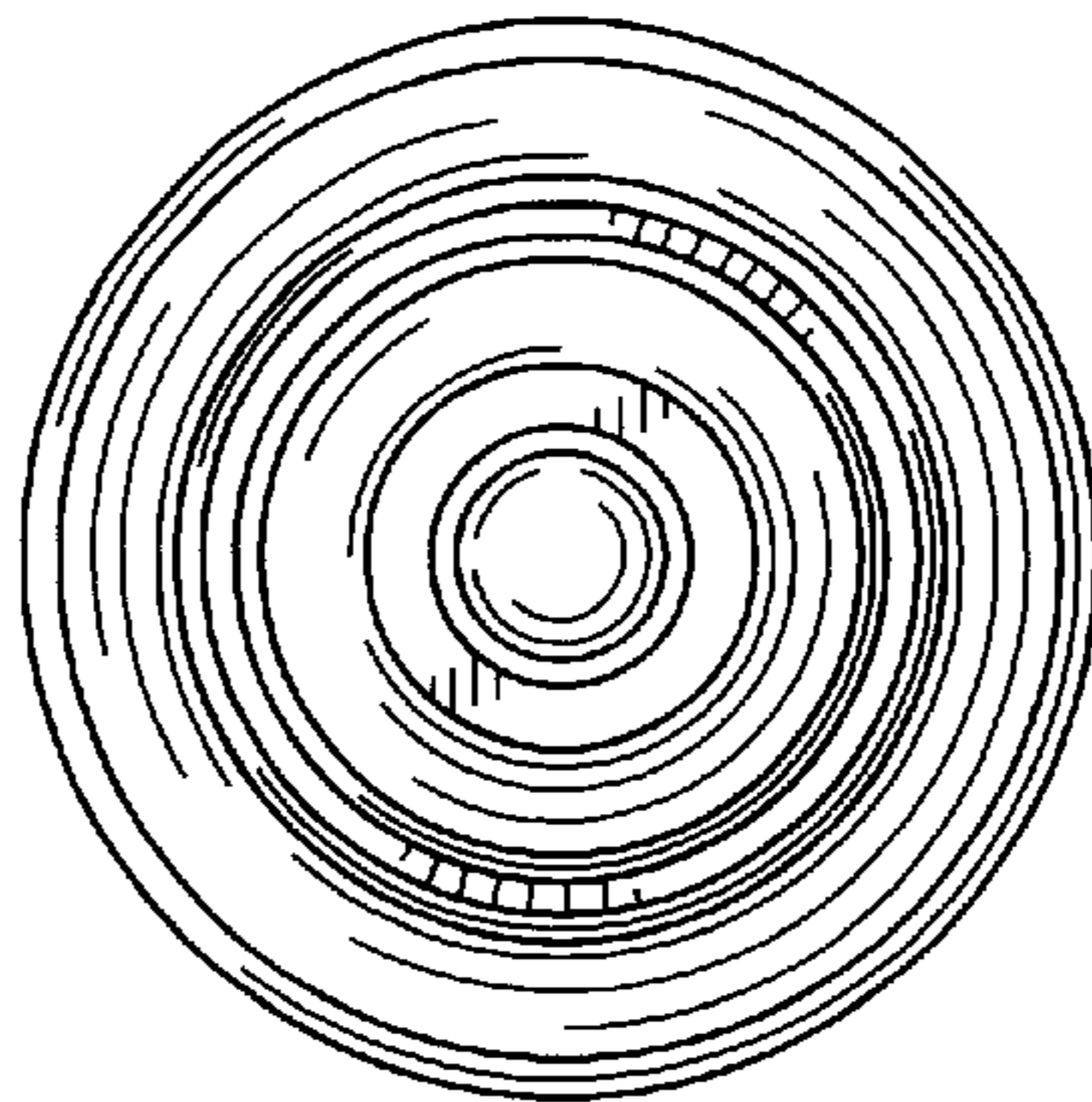


FIG. 4

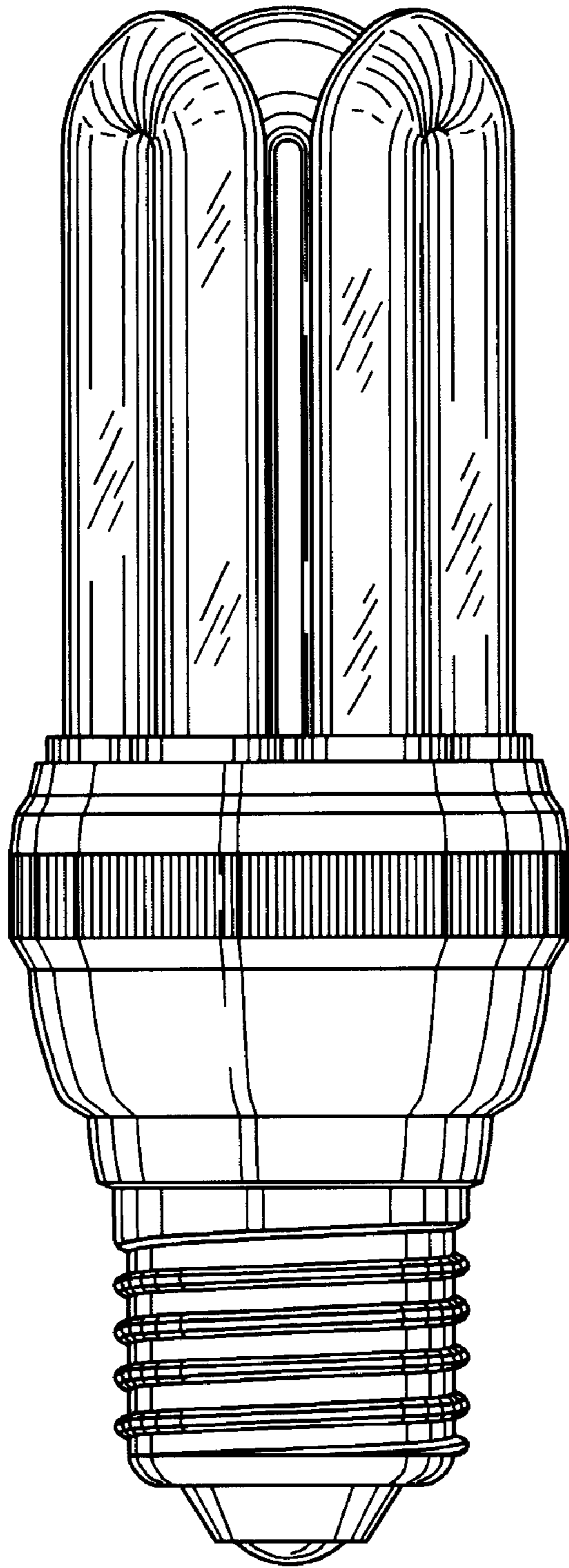


FIG. 5