



US00D483875S

(12) **United States Design Patent**
Dupras

(10) **Patent No.:** **US D483,875 S**

(45) **Date of Patent:** **** Dec. 16, 2003**

(54) **THERAPY SPA**

Primary Examiner—Stella Reid

(76) **Inventor:** **Michael G. Dupras**, 131 Crandall Rd.,
Tiverton, RI (US) 02878

(57) **CLAIM**

(**) **Term:** **14 Years**

The ornamental design for a therapy spa, as shown and described.

(21) **Appl. No.:** **29/179,174**

DESCRIPTION

(22) **Filed:** **Apr. 7, 2003**

FIG. 1 is a perspective view of the therapy spa, showing my new design;

(51) **LOC (7) Cl.** **24-04**

FIG. 2 is a cross-sectional view thereof, taken along line 2—2 of FIG. 1;

(52) **U.S. Cl.** **D24/204**

(58) **Field of Search** D24/201, 204;
4/541.1, 541.2, 541.3, 541.4, 541.5, 541.6,
538

FIG. 3 is a top view thereof;

FIG. 4 is a bottom view thereof;

FIG. 5 is a left side view thereof;

FIG. 6 is a right side view thereof;

FIG. 7 is a rear view thereof; and,

FIG. 8 is a front view thereof.

(56) **References Cited**

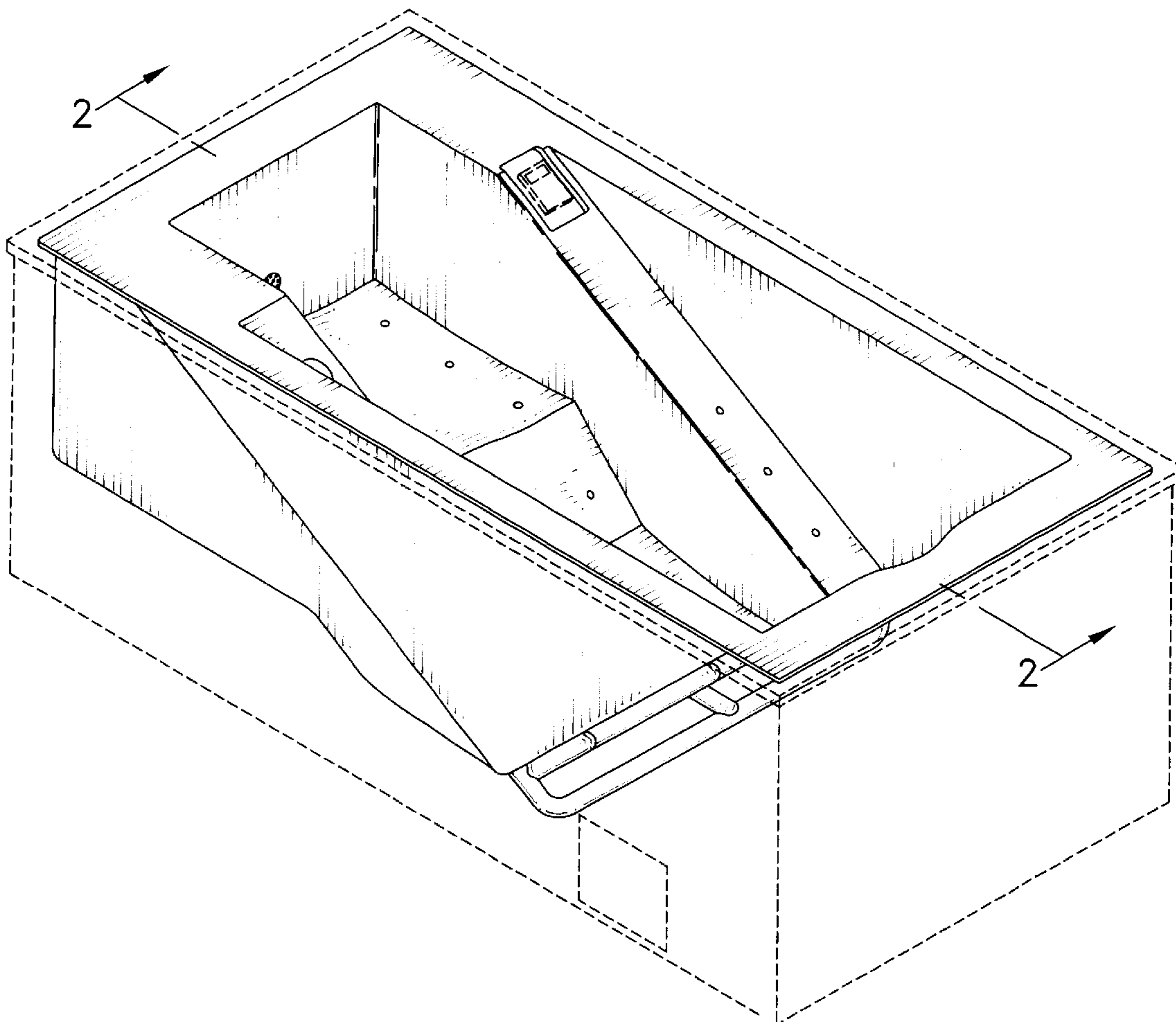
U.S. PATENT DOCUMENTS

D257,058 S	*	9/1980	Laver	D24/204
D270,760 S	*	9/1983	Wiley	D24/204
D405,185 S	*	2/1999	Larsen	D24/204
D445,904 S	*	7/2001	Larsen	D24/204
D454,643 S	*	3/2002	Gibson et al.	D24/204

The broken line showing of the skirt in FIG. 1 is a for illustrative purposes only and forms no part of the claimed design.

* cited by examiner

1 Claim, 5 Drawing Sheets



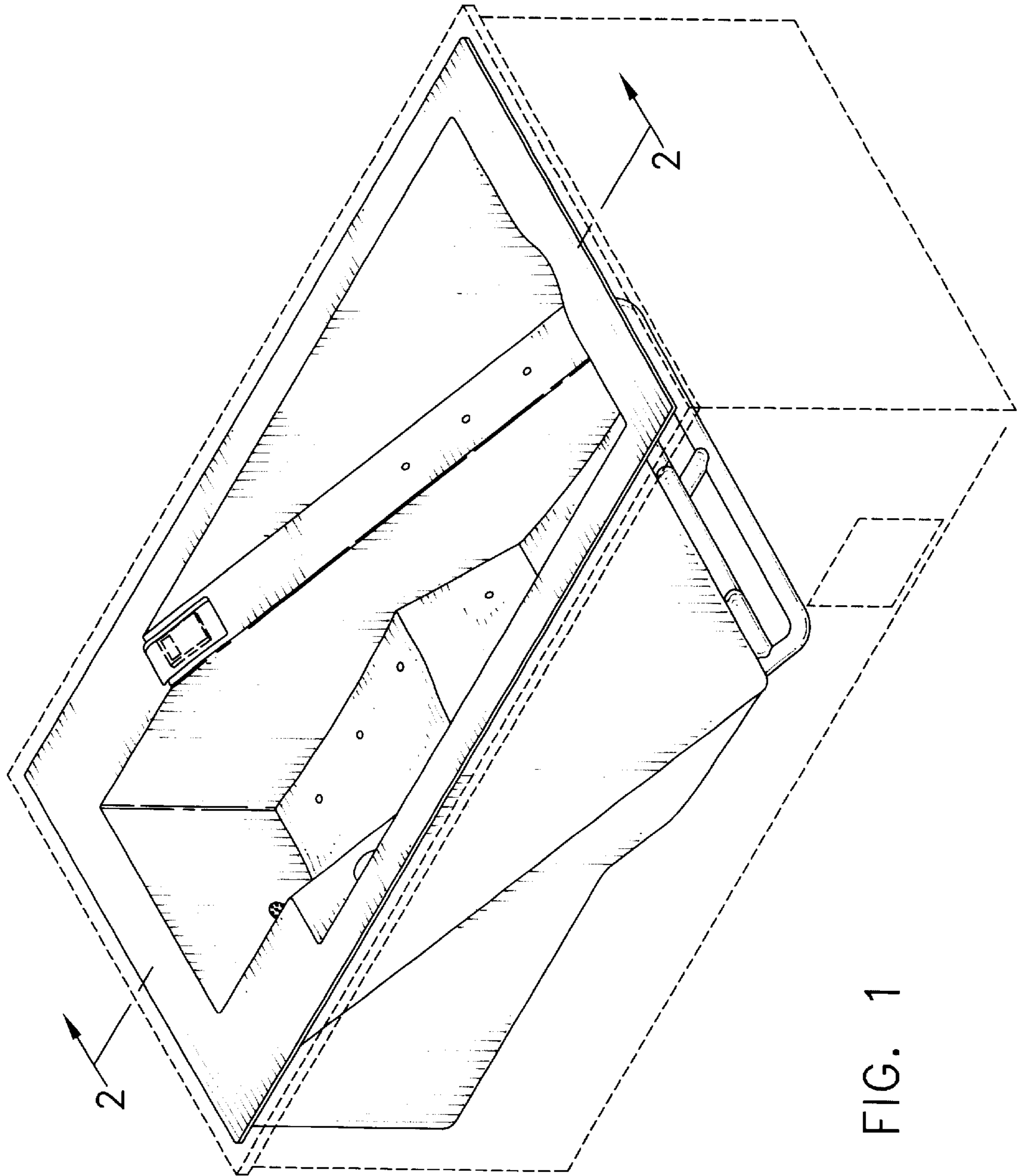


FIG. 1

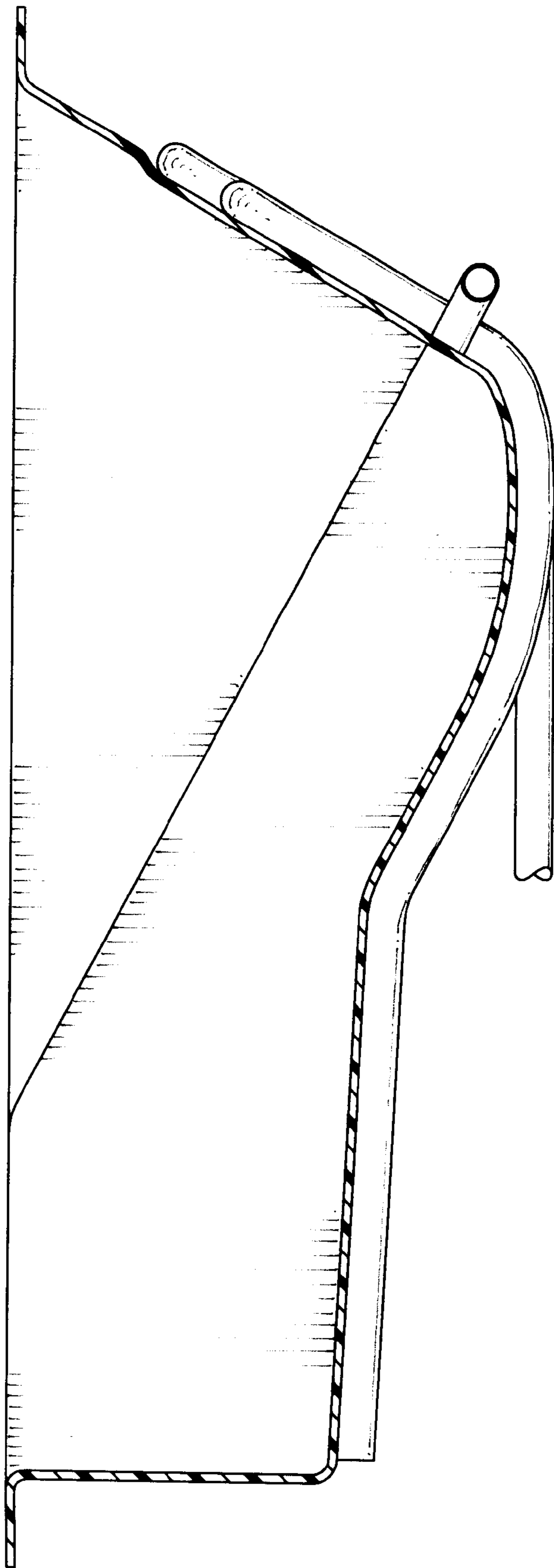


FIG. 2

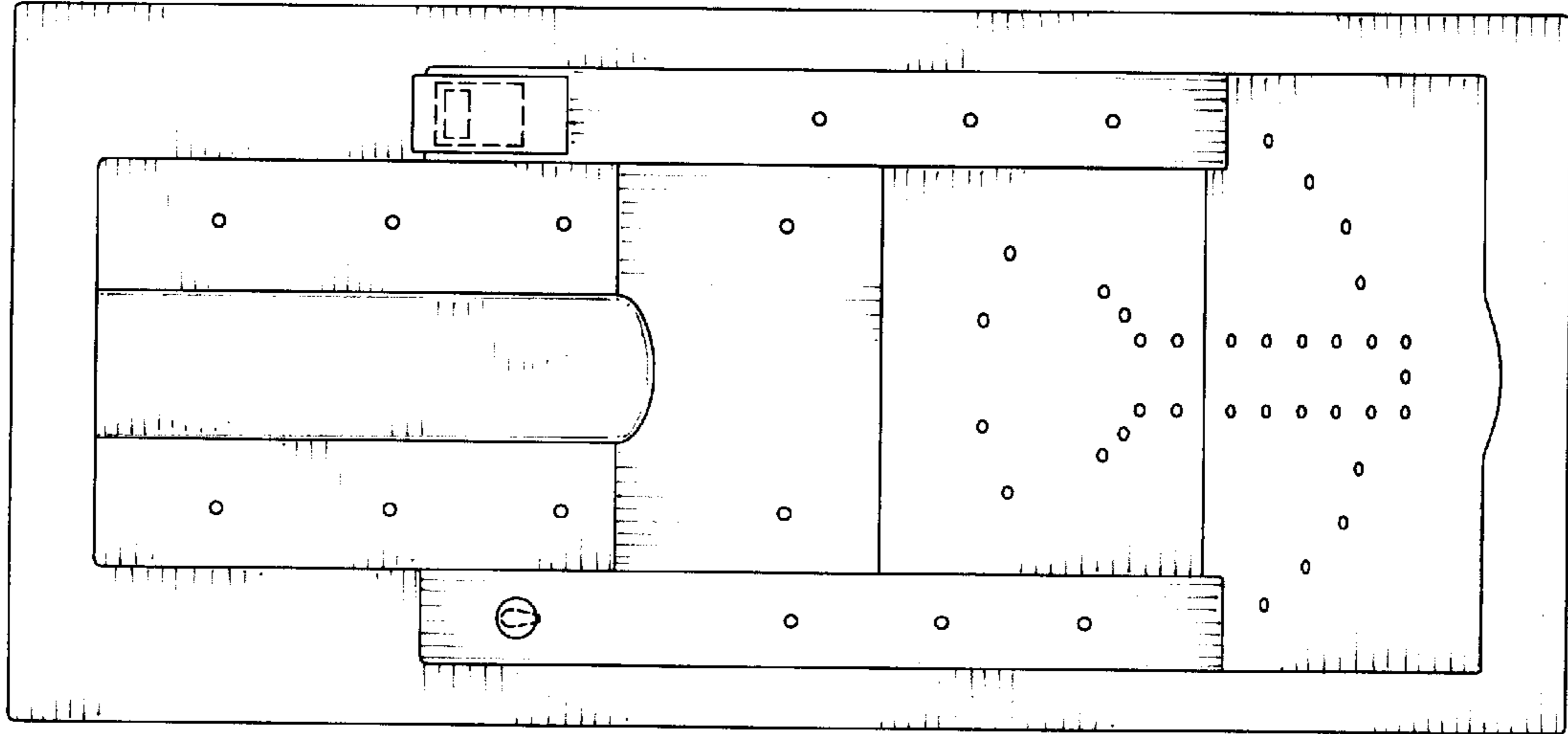


FIG. 3

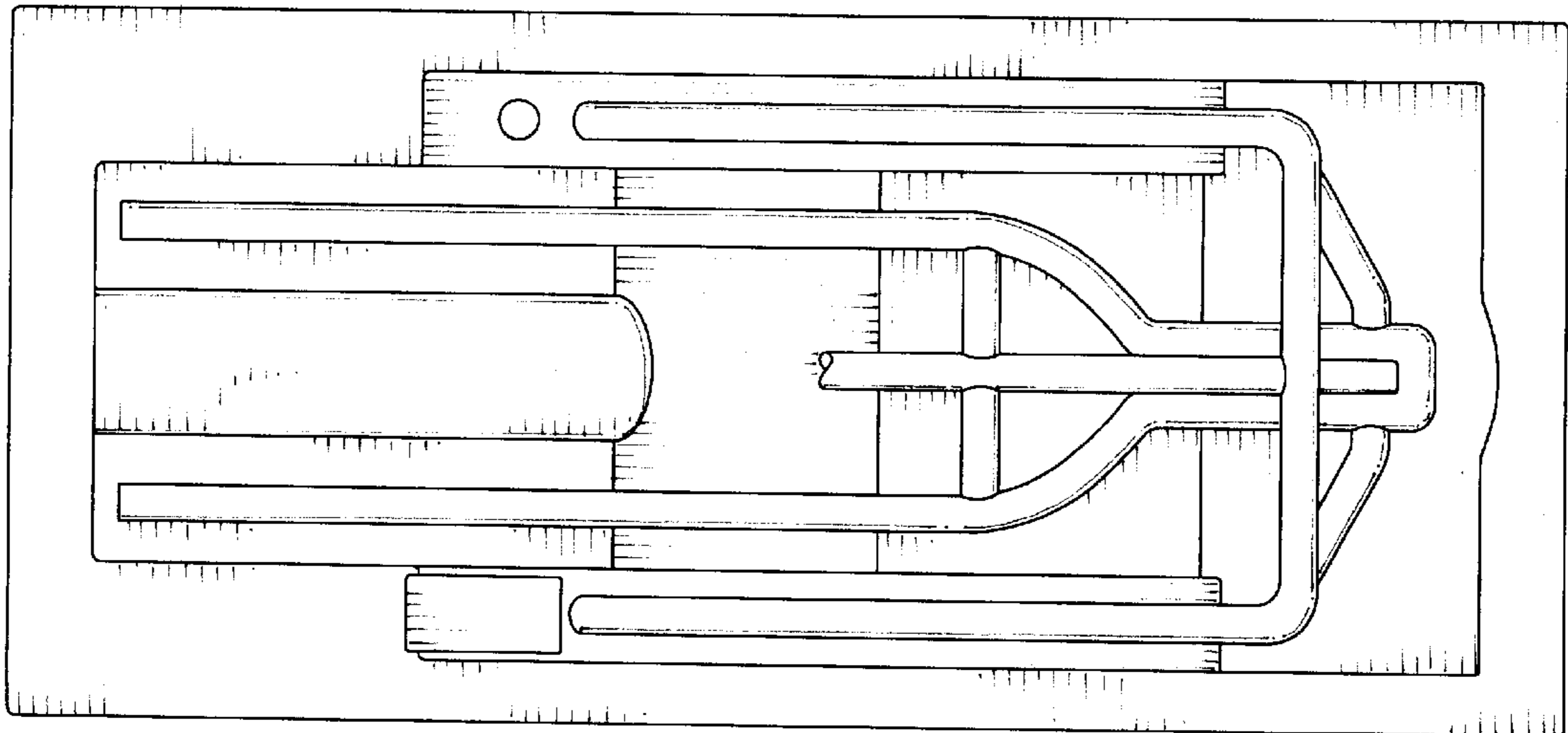


FIG. 4

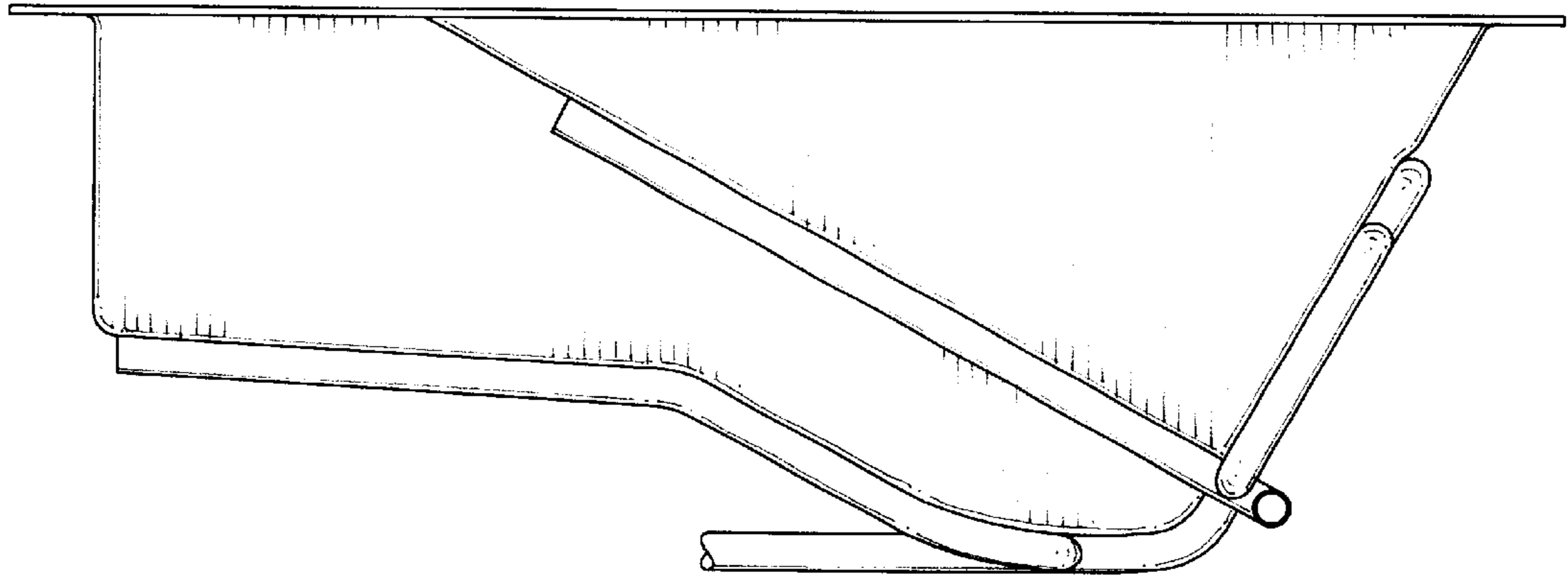


FIG. 5

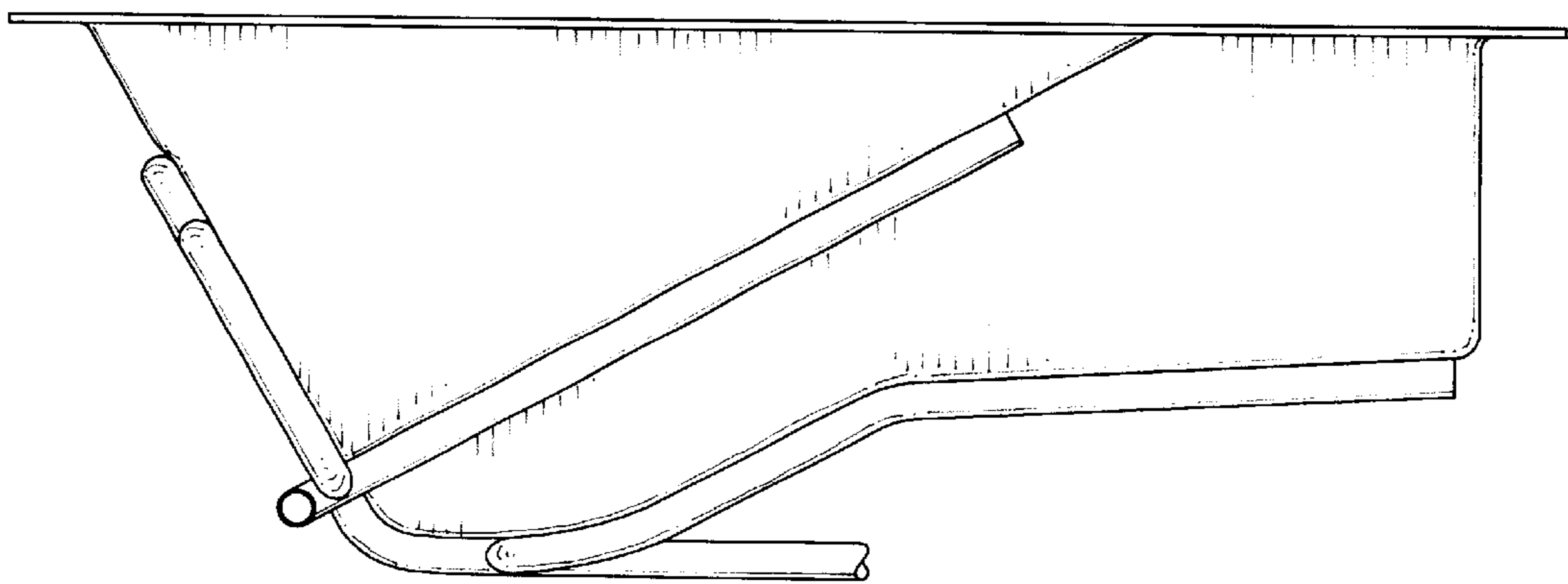


FIG. 6

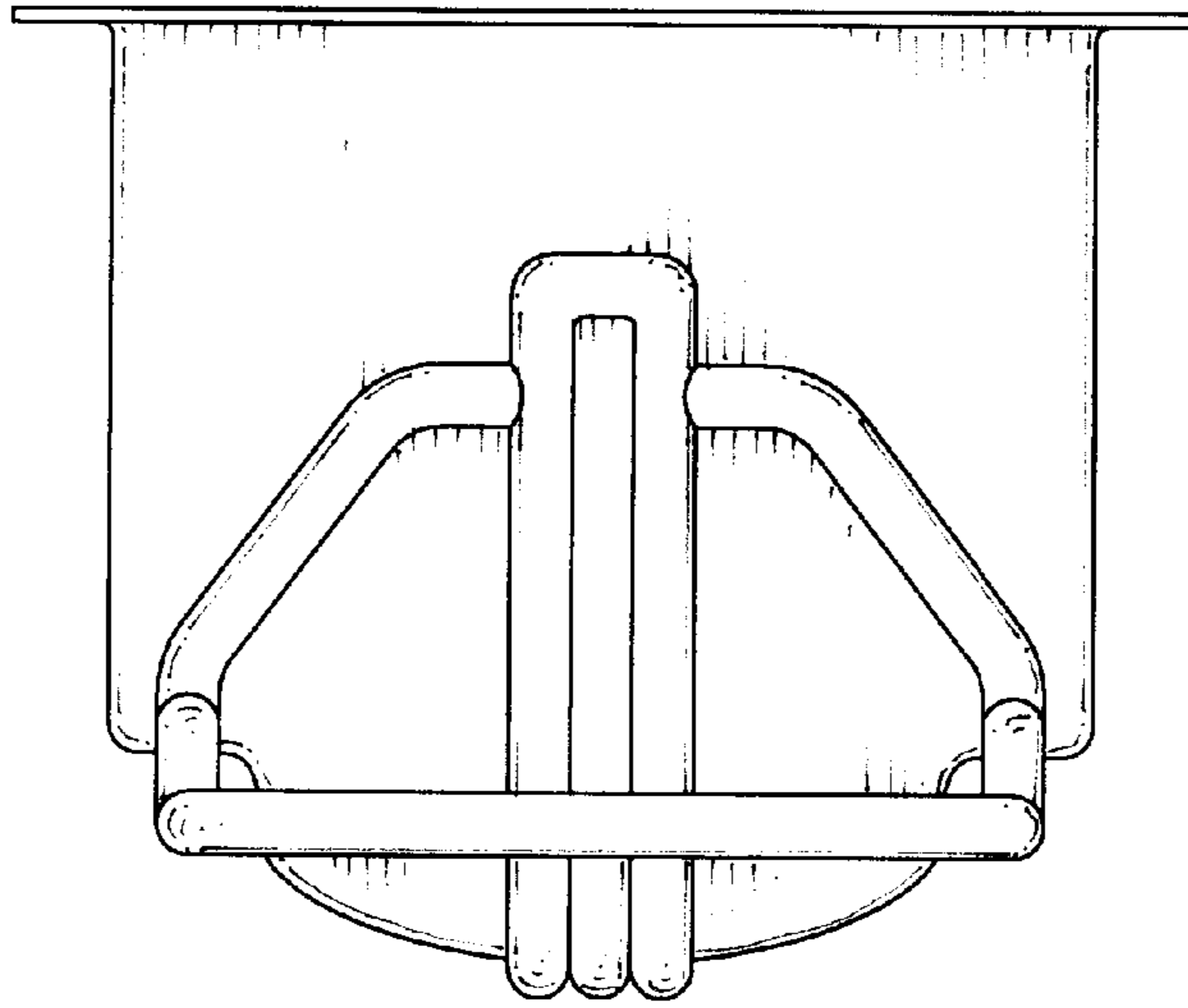


FIG. 7

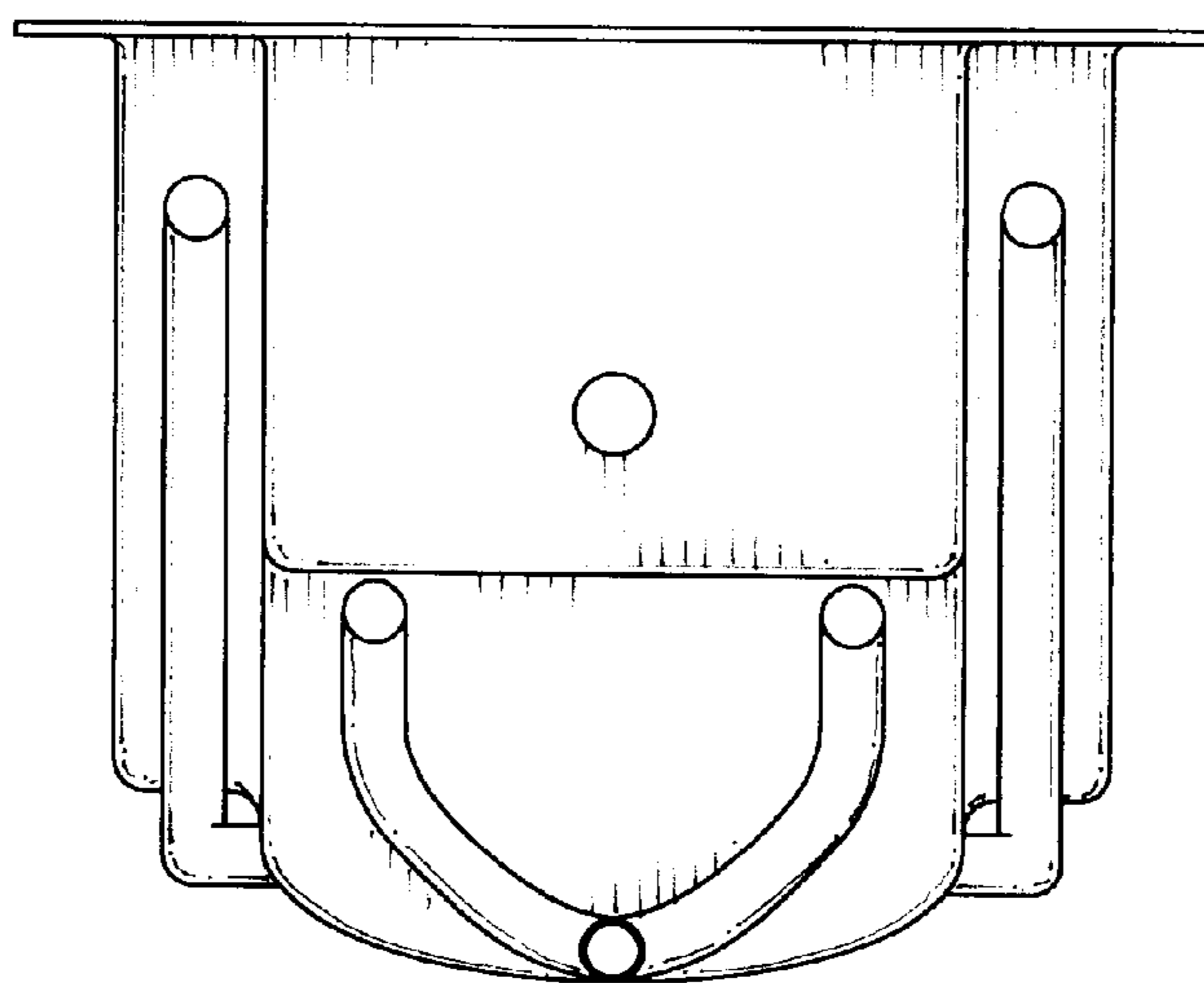


FIG. 8