



US00D483873S

(12) **United States Design Patent**
Schwartz

(10) **Patent No.:** **US D483,873 S**

(45) **Date of Patent:** **** Dec. 16, 2003**

(54) **WHEEL CHAIR ACCESSIBLE
OPHTHALMOSCOPE STAND**

D246,186 S * 10/1977 Rorabaugh D24/172
D292,526 S * 10/1987 Nakayama D24/172
D378,315 S * 3/1997 Schwaegerle et al. D24/172

(75) Inventor: **Trevor John Schwartz**, Salisbury East (AU)

* cited by examiner

(73) Assignee: **Ellex Medical Pty Ltd.**, Adelaide (AU)

Primary Examiner—Stella Reid

(**) Term: **14 Years**

(74) *Attorney, Agent, or Firm*—Workman Nydegger

(21) Appl. No.: **29/172,339**

(22) Filed: **Dec. 9, 2002**

(57) **CLAIM**

The ornamental design for a wheel chair accessible ophthalmoscope stand, as shown and described.

(51) **LOC (7) Cl.** **24-01**

DESCRIPTION

(52) **U.S. Cl.** **D24/172**

(58) **Field of Search** D24/172; 312/209,
312/276; 351/245, 205, 38

FIG. 1 is a top view of a wheel chair accessible ophthalmoscope stand, showing my new design;

FIG. 2 is a back view thereof;

FIG. 3 is a front view thereof;

FIG. 4 is a right side view thereof;

FIG. 5 is a left side view thereof;

FIG. 6 is a bottom view thereof; and,

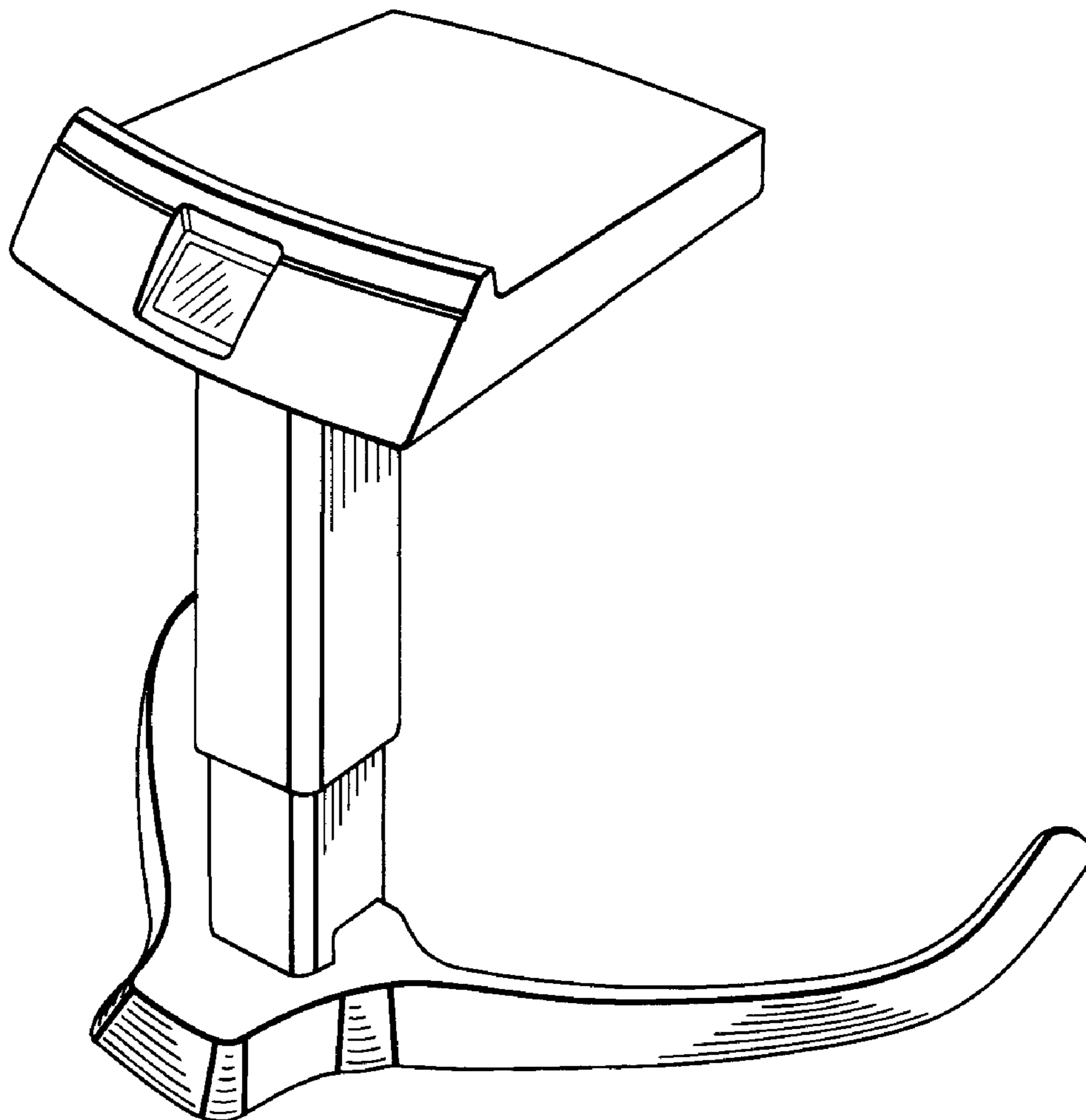
FIG. 7 is a perspective view thereof.

(56) **References Cited**

U.S. PATENT DOCUMENTS

3,572,913 A * 3/1971 Korb et al. 351/245
D235,274 S * 6/1975 Armbruster D24/172

1 Claim, 1 Drawing Sheet



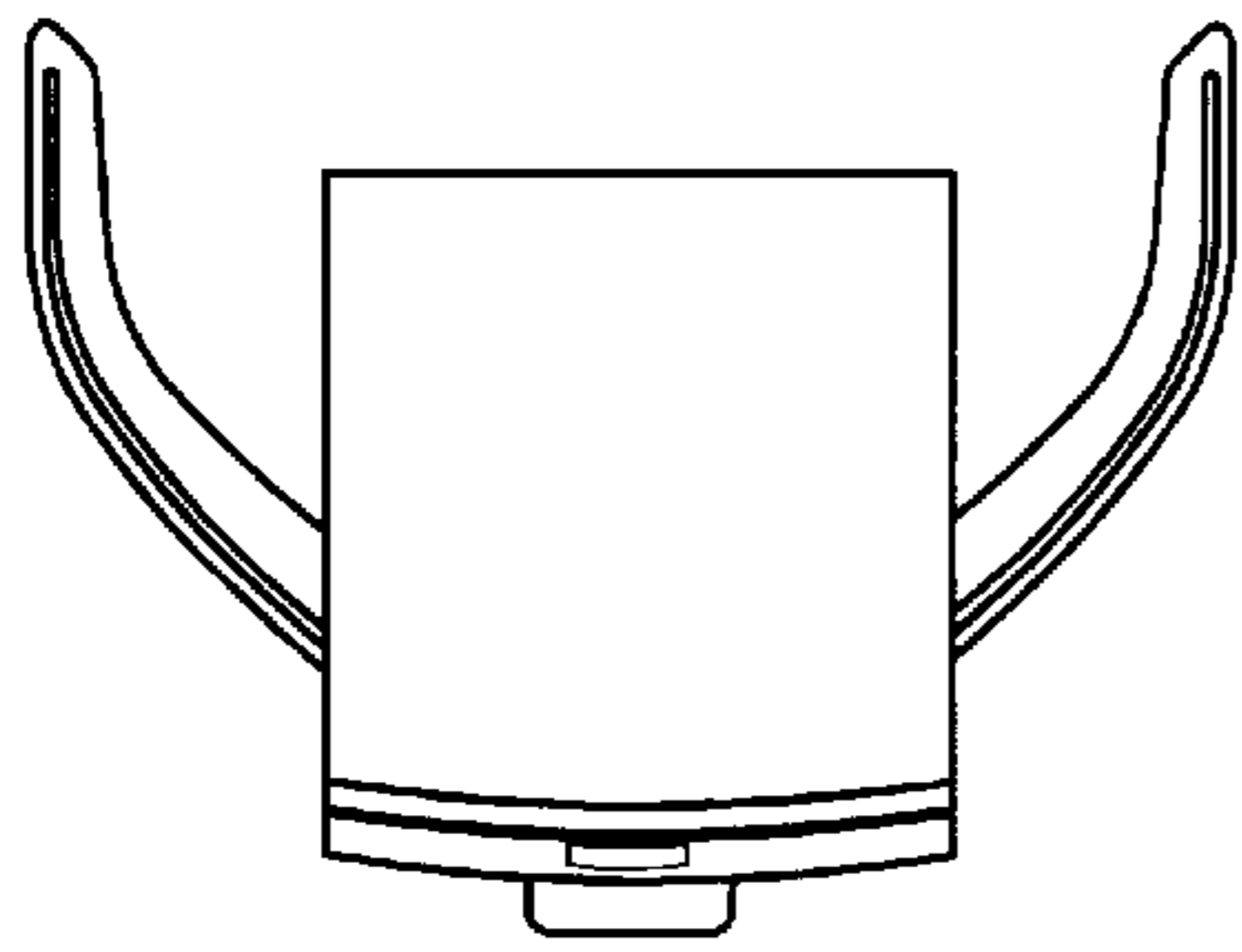


Fig. 1

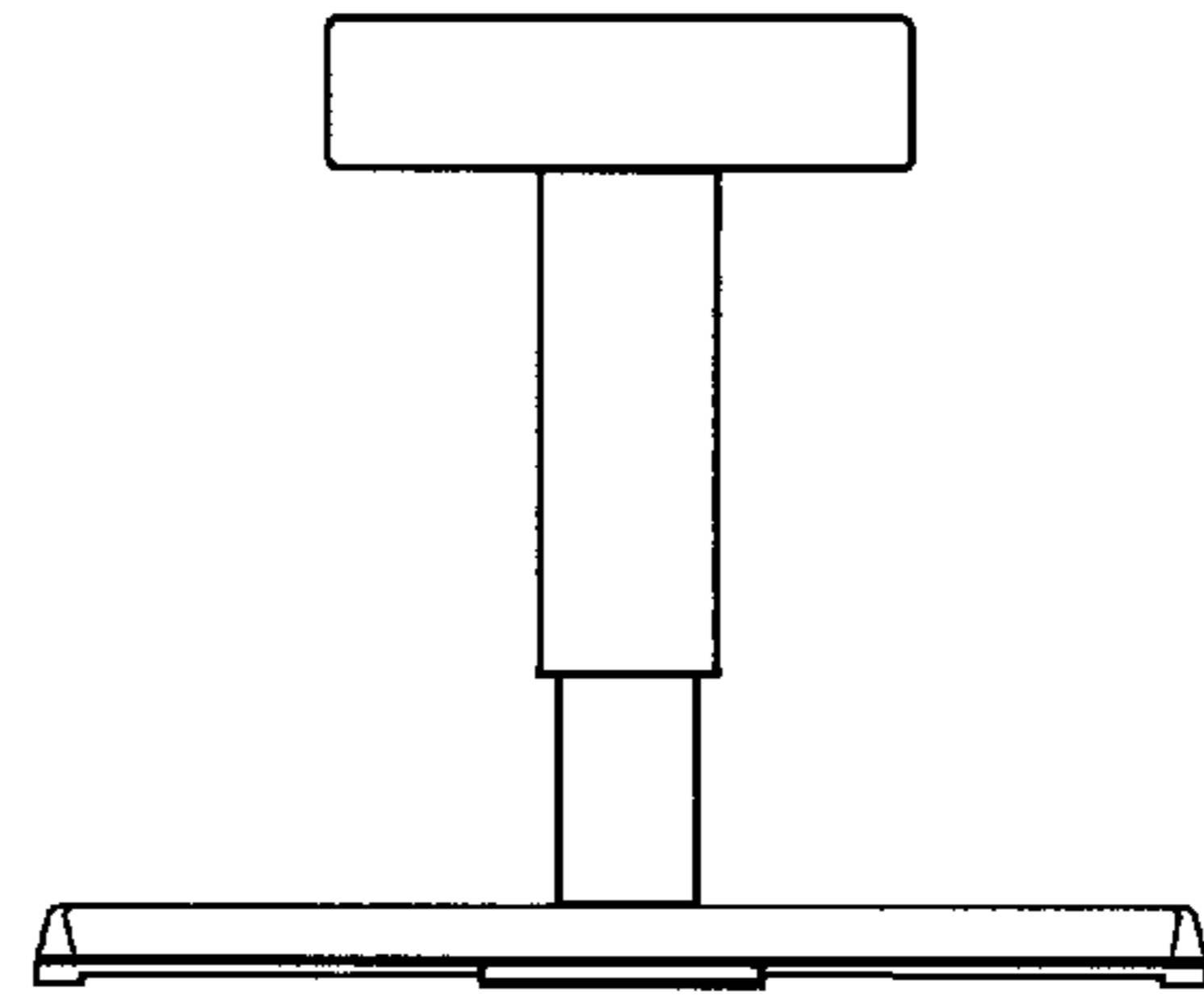


Fig. 2

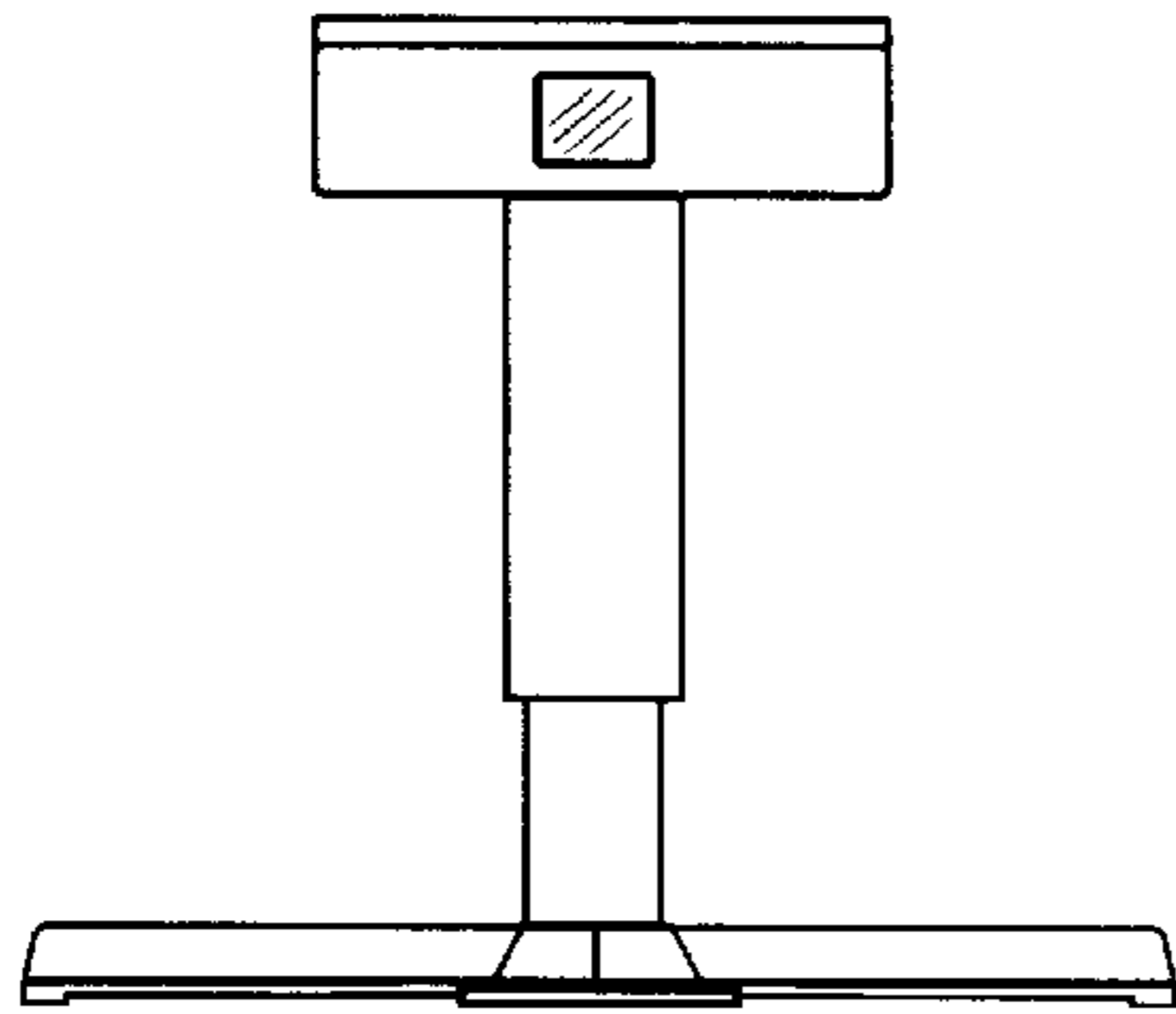


Fig. 3

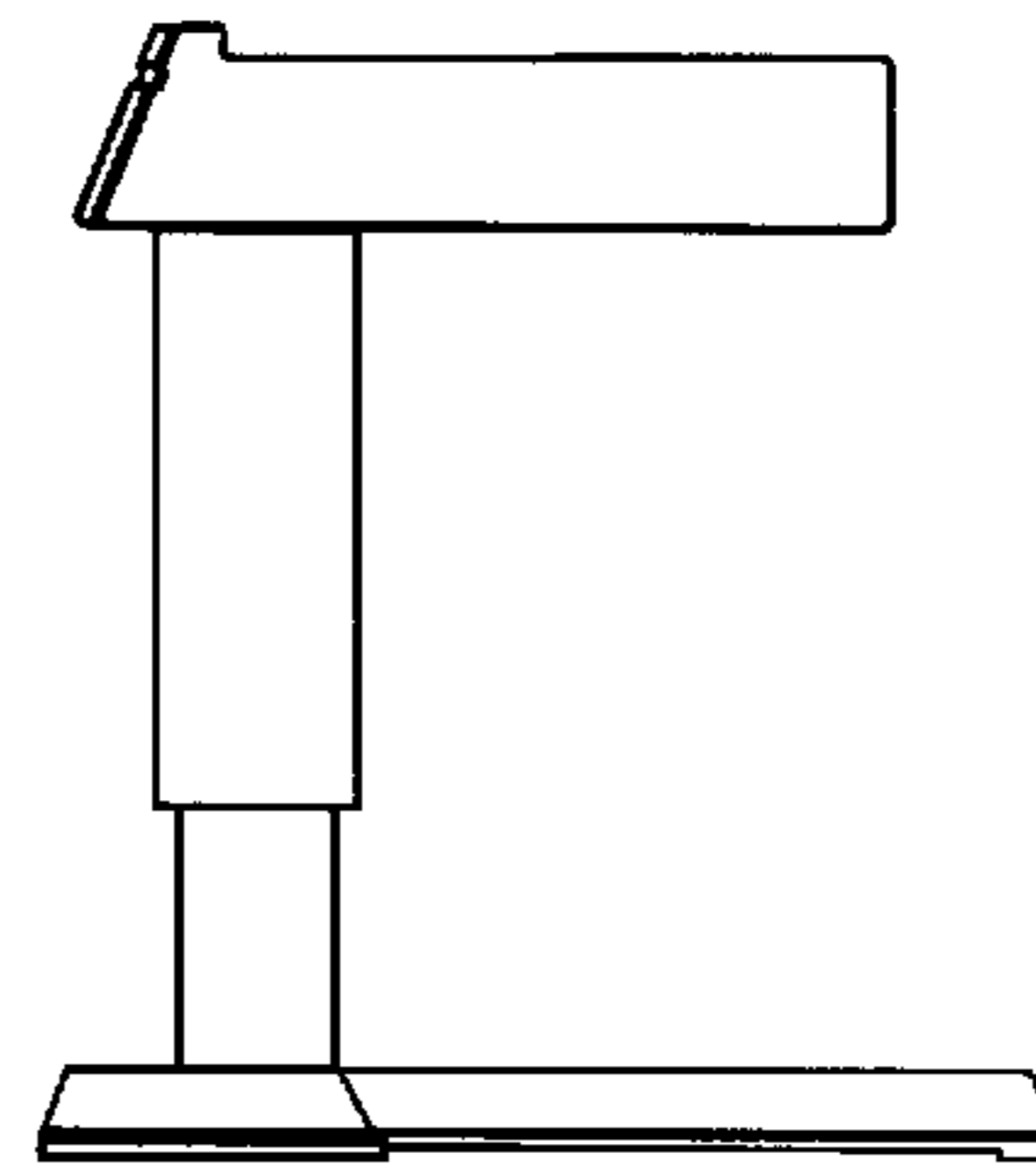


Fig. 4

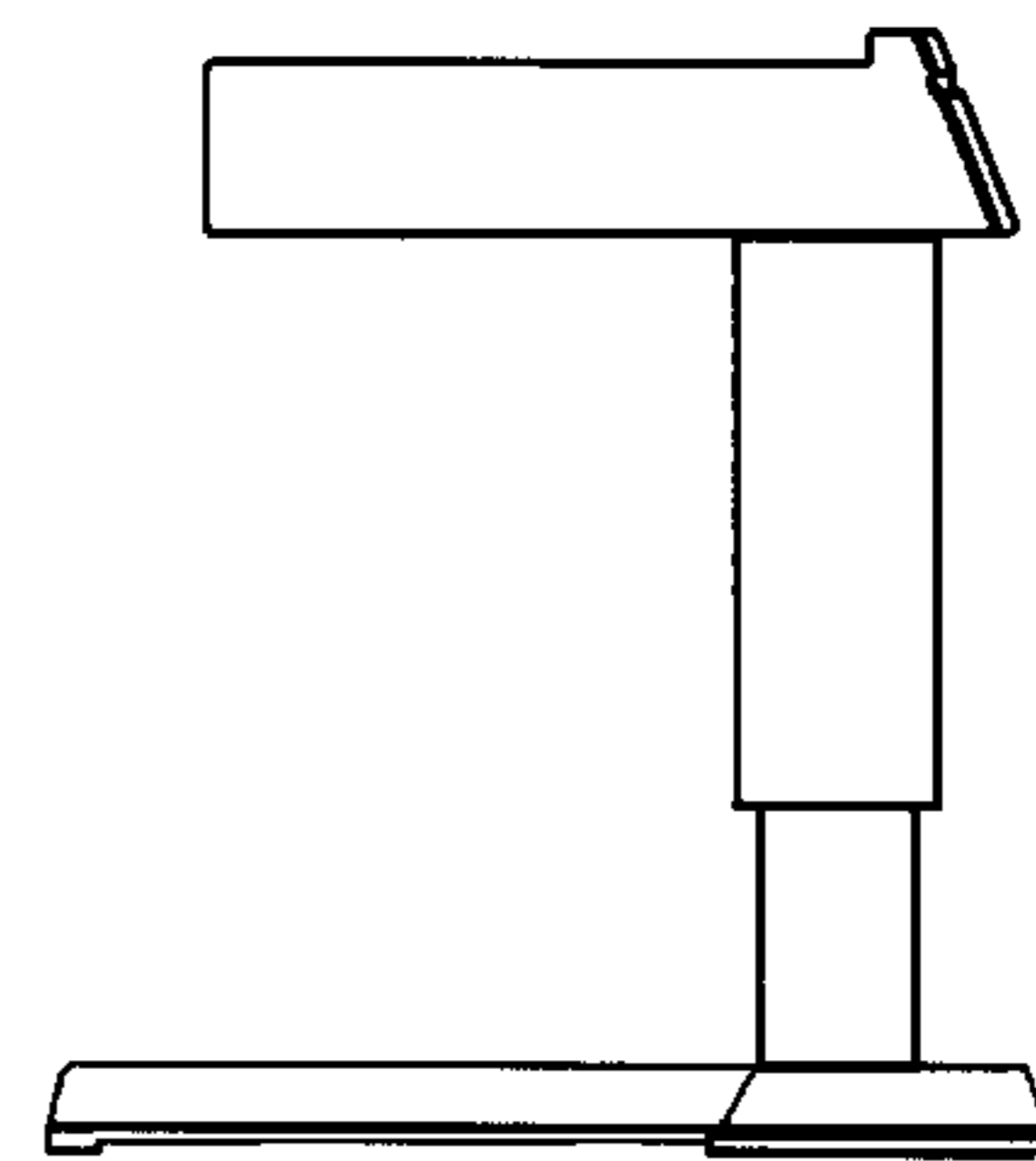


Fig. 5

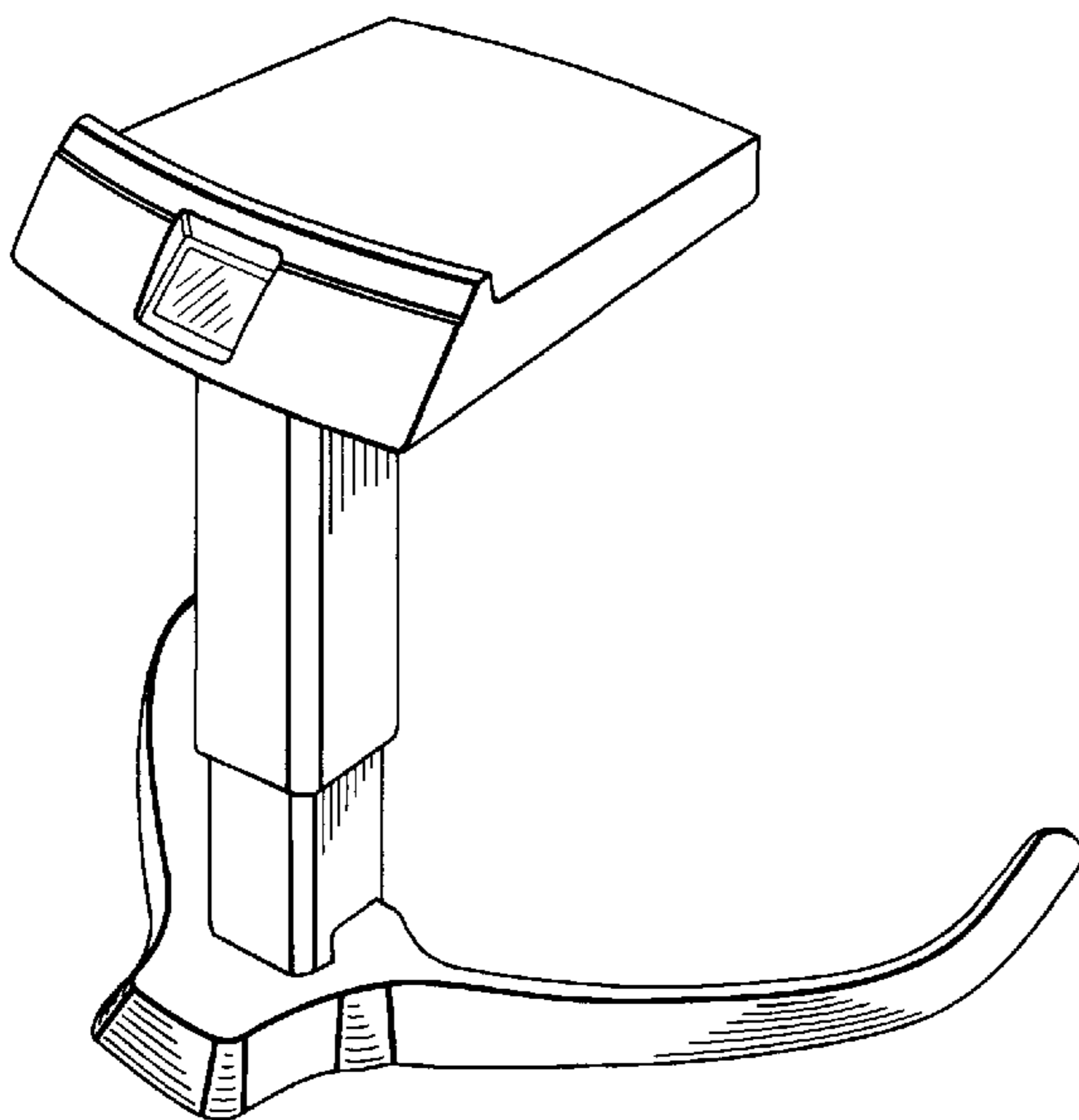


Fig. 7

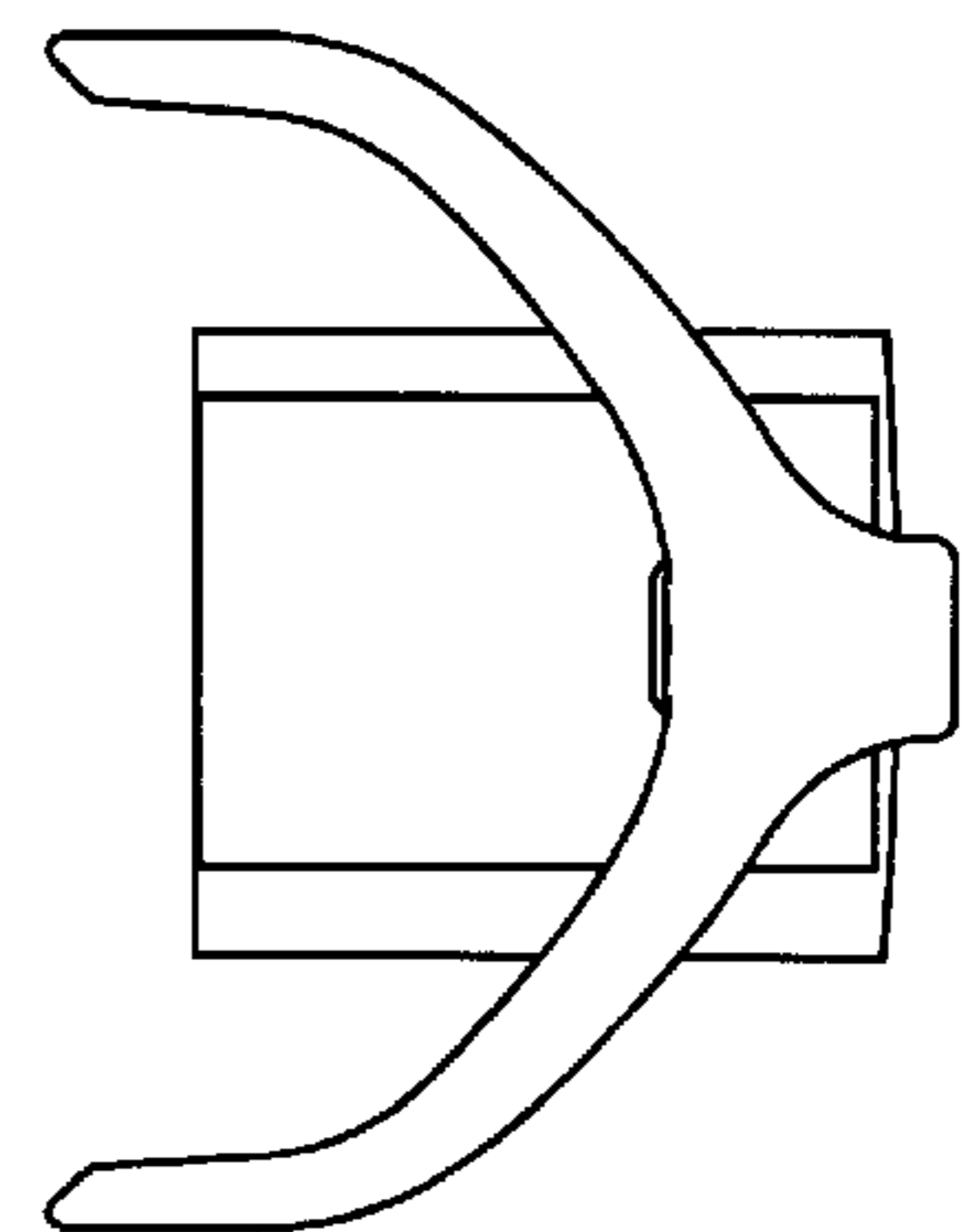


Fig. 6