



US00D483872S

(12) **United States Design Patent**
Cruz et al.

(10) **Patent No.:** **US D483,872 S**

(45) **Date of Patent:** **** Dec. 16, 2003**

(54) **DISPLAY PORTION FOR A MEDICAL MACHINE**

(75) Inventors: **Edward Cruz**, Newbury Park, CA (US); **John K. Clay**, Topanga, CA (US)

(73) Assignees: **Baxter International Inc.**, Deerfield, IL (US); **Baxter Healthcare S.A.**, Zurich (CH)

(**) Term: **14 Years**

(21) Appl. No.: **29/168,174**

(22) Filed: **Sep. 27, 2002**

(51) **LOC (7) Cl.** **24-01**

(52) **U.S. Cl.** **D24/169; D24/186**

(58) **Field of Search** **D24/169; 604/4.01, 604/6.09, 6.11, 65, 67; 210/645, 646**

(56) **References Cited**

U.S. PATENT DOCUMENTS

2,969,150 A	1/1961	Broman	
5,484,239 A *	1/1996	Chapman et al.	417/477.8
5,514,335 A	5/1996	Leonard et al.	
5,629,871 A	5/1997	Love et al.	
5,650,071 A	7/1997	Brugger et al.	
D383,842 S	9/1997	Kenley et al.	
5,679,245 A *	10/1997	Manica	210/134
D389,916 S	1/1998	DiPerna et al.	
D395,085 S	6/1998	Kenley et al.	
D396,289 S	7/1998	McGugan	
5,788,851 A	8/1998	Kenley et al.	
D399,960 S	10/1998	Prokop et al.	

D402,369 S	12/1998	Prokop et al.	
D406,893 S	3/1999	Menhennett et al.	
D406,894 S	3/1999	Menhennett et al.	
5,928,177 A *	7/1999	Brugger et al.	604/6.11
D412,578 S	8/1999	Andersson et al.	
D420,444 S	2/2000	McGugan	
6,036,858 A *	3/2000	Carlsson et al.	210/232
6,143,181 A	11/2000	Falkvall et al.	
6,146,523 A	11/2000	Kenley et al.	
D446,860 S	8/2001	Mezière et al.	
D446,861 S	8/2001	Mezière et al.	
6,468,241 B1 *	10/2002	Gelfand et al.	604/6.09
6,585,675 B1 *	7/2003	O'Mahony et al.	604/4.01

* cited by examiner

Primary Examiner—Stella Reid

(74) *Attorney, Agent, or Firm*—Joseph P. Reagen; Bell, Boyd & Lloyd LLC

(57) **CLAIM**

The ornamental design for a display portion for a medical machine, as shown and described.

DESCRIPTION

FIG. 1 is a top, right front perspective view of a display portion for a medical machine, showing our new design; FIG. 2 is a top, right rear perspective view thereof; FIG. 3 is a front elevation view thereof; FIG. 4 is a rear elevation view thereof; FIG. 5 is a right side elevation view thereof; and, FIG. 6 is a left side elevation view thereof. The broken line showing is for illustrative purposes only and forms no part of the claimed design.

1 Claim, 4 Drawing Sheets

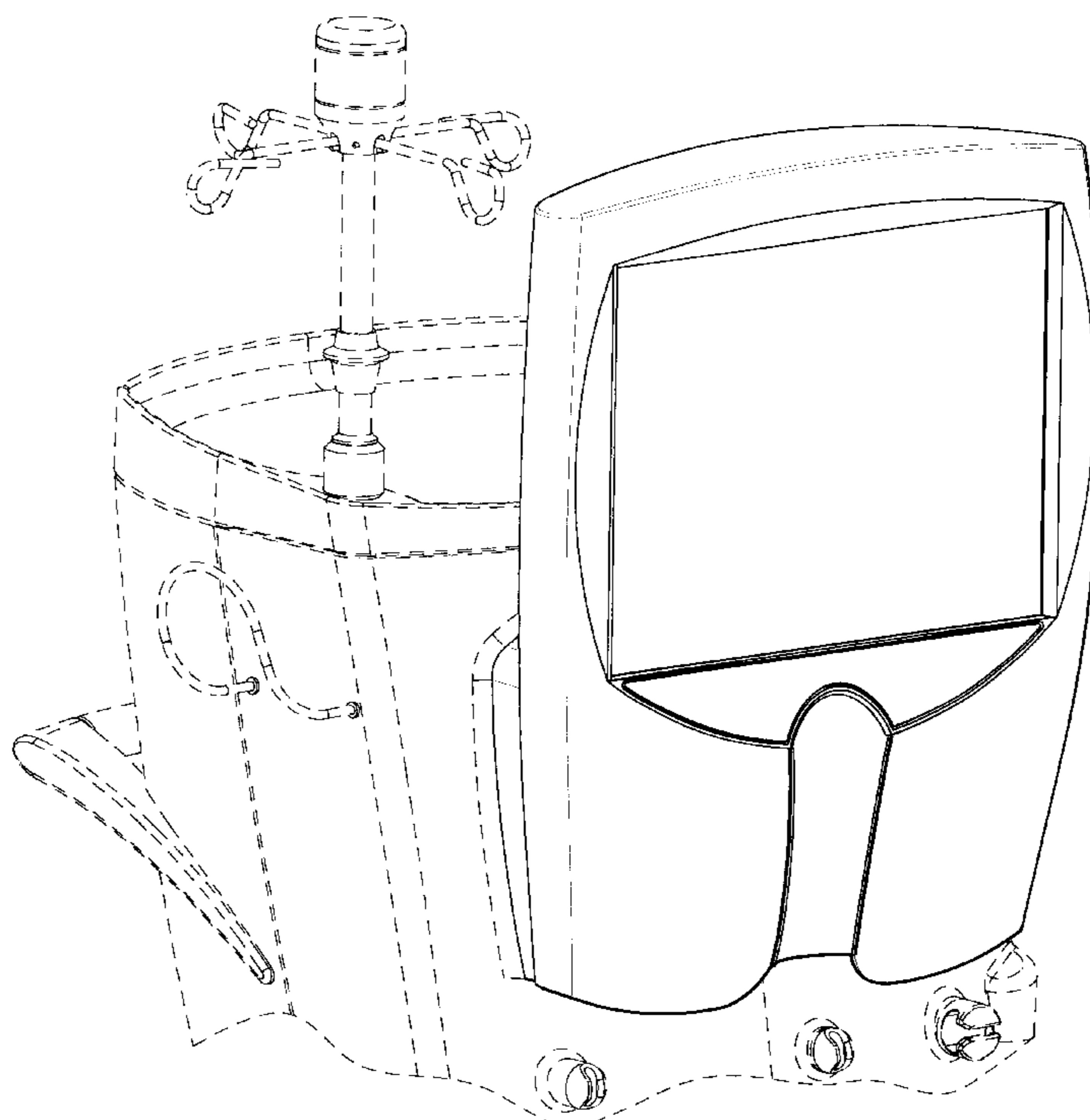


FIG. 1

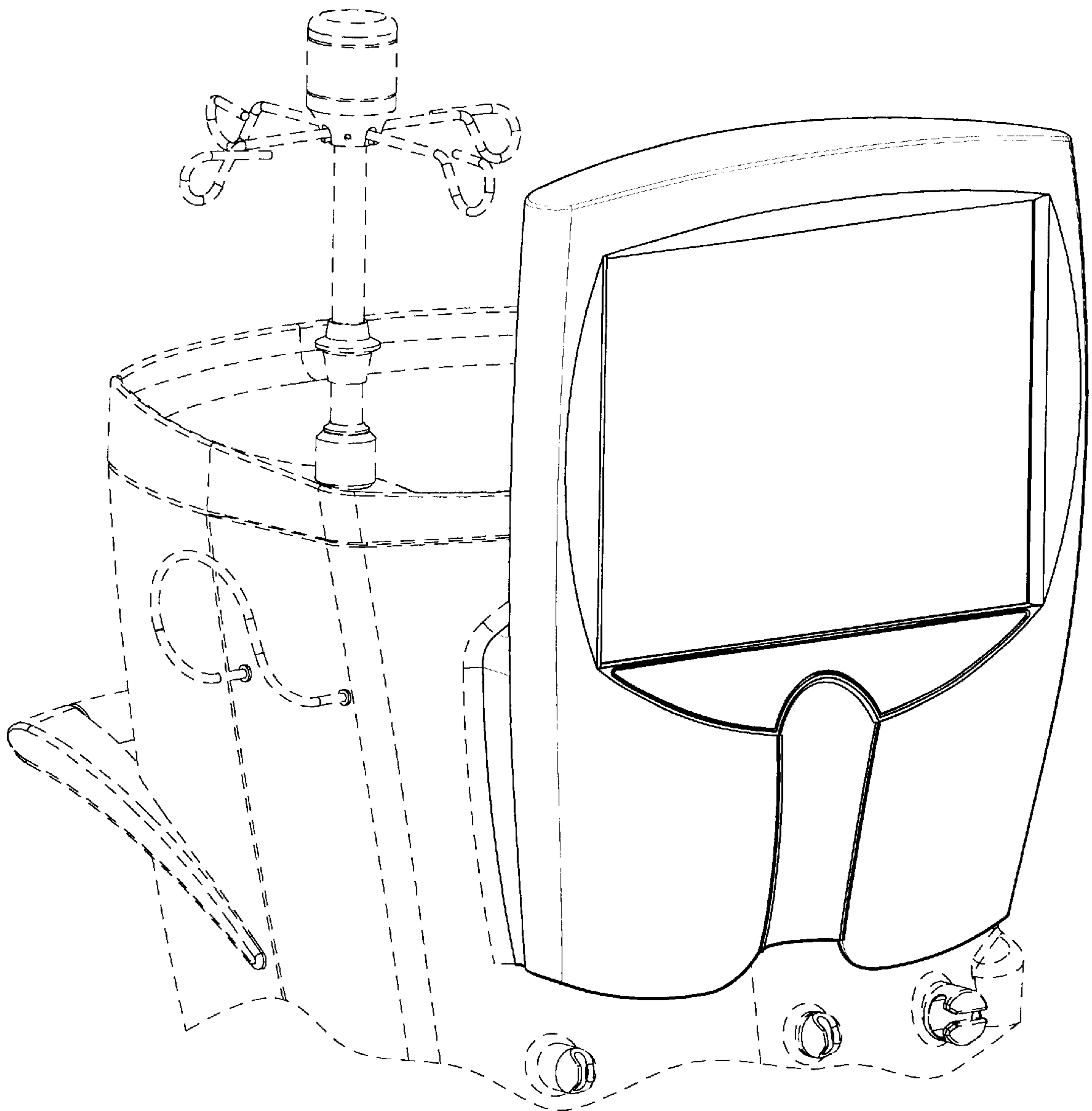


FIG. 2

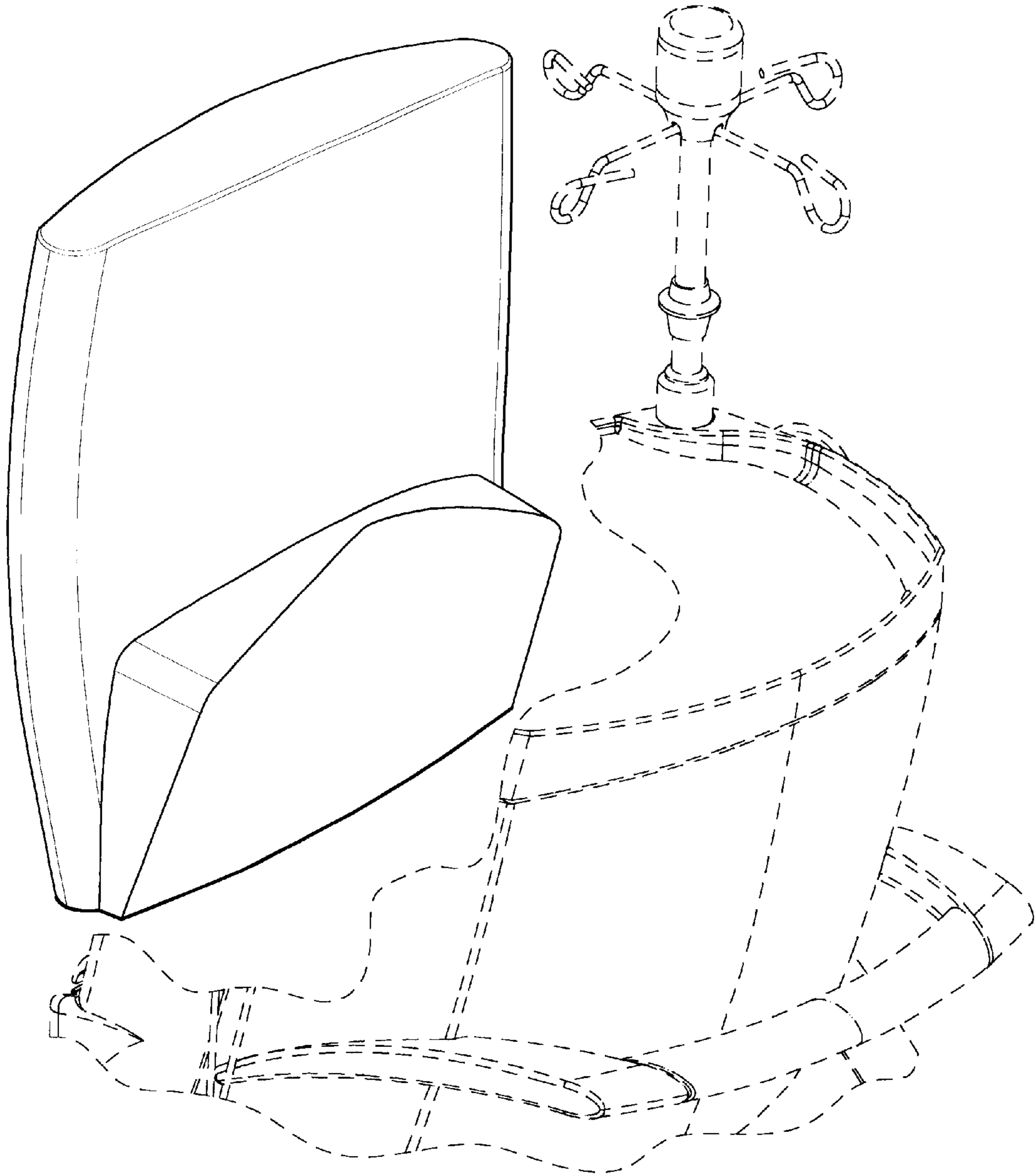


FIG. 3

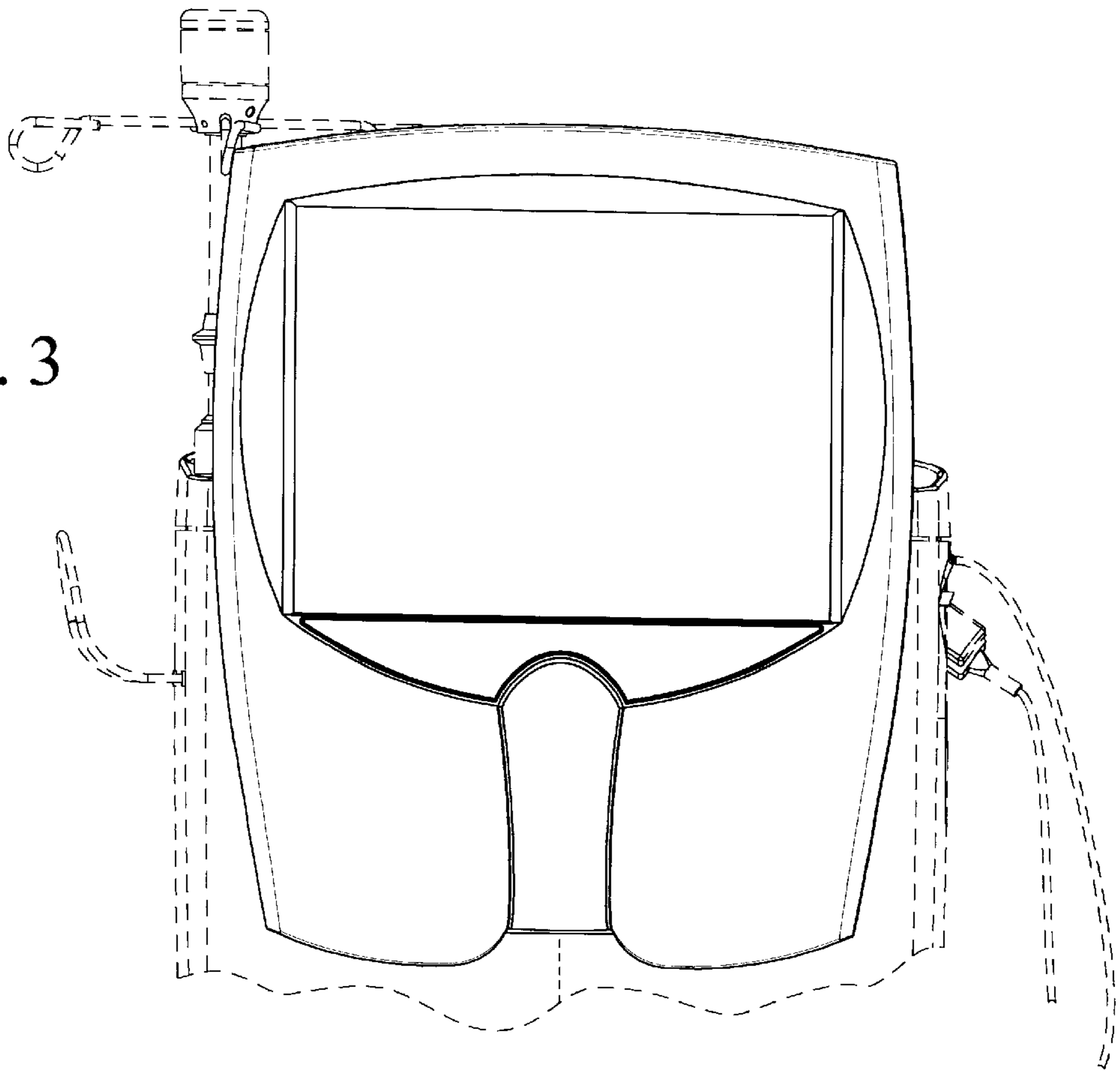


FIG. 4

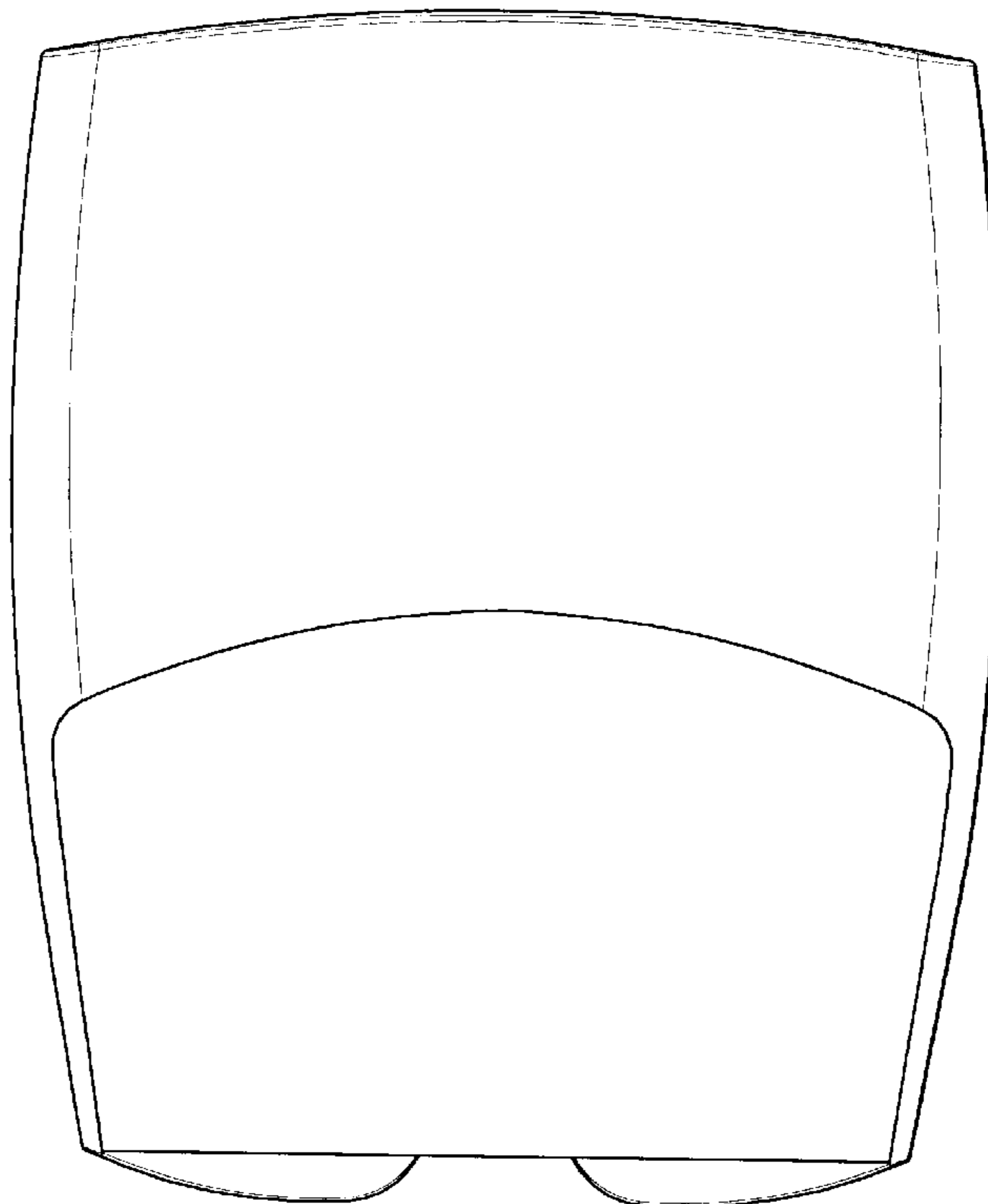


FIG. 5

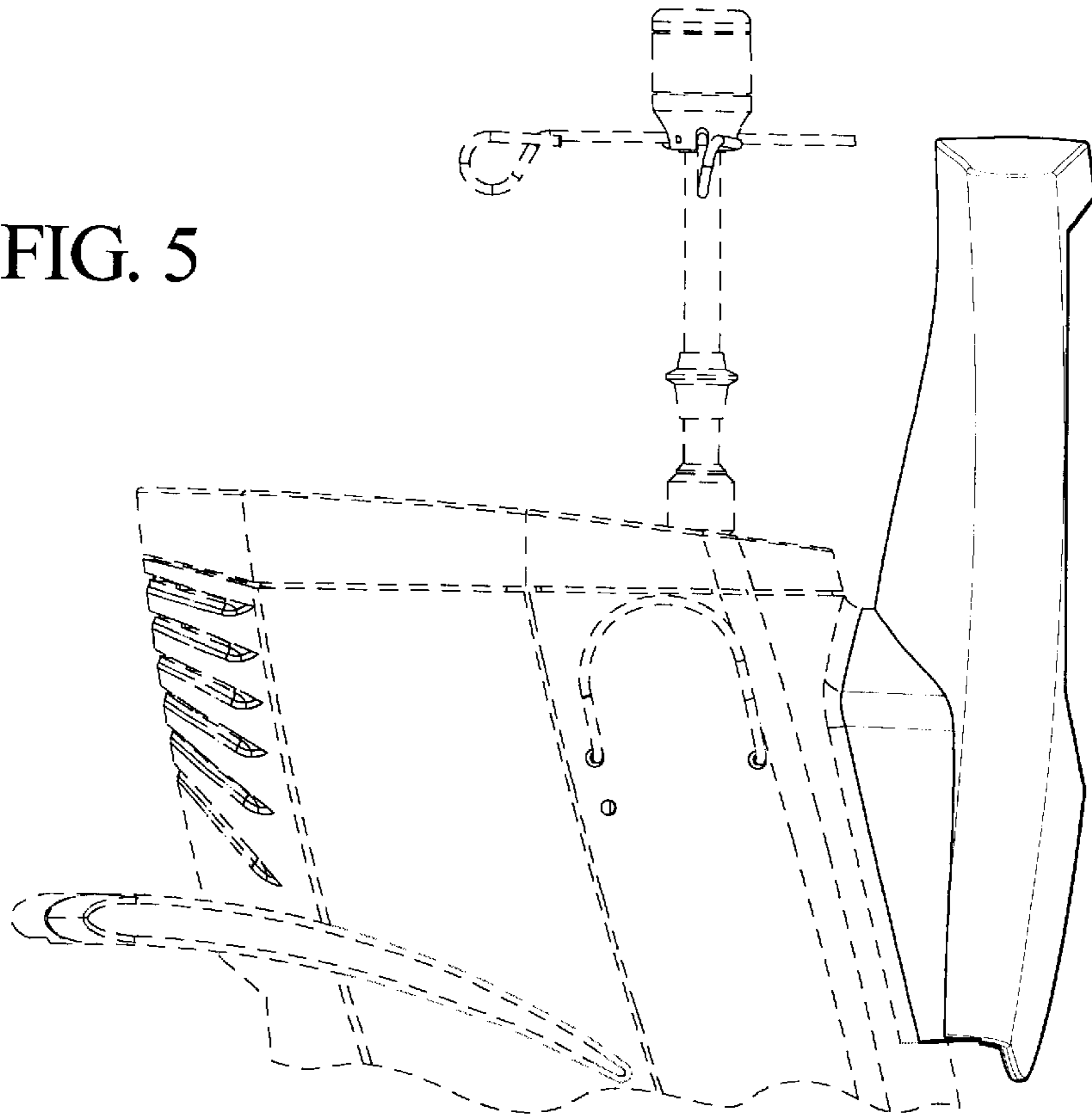


FIG. 6

