



US00D483859S

(12) **United States Design Patent**
Omholt

(10) **Patent No.:** **US D483,859 S**

(45) **Date of Patent:** **** Dec. 16, 2003**

(54) **UNDERWATER BREATHING APPARATUS**

(76) Inventor: **Bruce D. Omholt**, 1034 Holly Ave.,
Rohnert Park, CA (US) 94928

(**) Term: **14 Years**

(21) Appl. No.: **29/168,410**

(22) Filed: **Sep. 30, 2002**

(51) **LOC (7) Cl.** **29-02**

(52) **U.S. Cl.** **D24/110; D24/110.5**

(58) **Field of Search** **D24/110, 110.5;**
128/205.27, 205.22, 204.18, 204.26, 202.22,
202.14, 202.27, 202.19, 201.27

(56) **References Cited**

U.S. PATENT DOCUMENTS

D231,571 S	*	4/1974	Parker	D24/110
4,054,132 A	*	10/1977	Deeds	128/202.14
4,062,356 A	*	12/1977	Merrifield	128/205.22
4,722,333 A	*	2/1988	Bartos	128/205.22
D370,256 S	*	5/1996	Kurokawa	D24/110.5

OTHER PUBLICATIONS

CCR Model 2000 rebreather. Rebreathers. Retrieved from
the Internet: www.rebreather.com/models.htm.

* cited by examiner

Primary Examiner—Ian Simmons

(74) *Attorney, Agent, or Firm*—Donald L. Beeson

(57) **CLAIM**

The ornamental design for a underwater breathing apparatus, as shown and described.

DESCRIPTION

FIG. 1 is a top perspective view of an underwater breathing apparatus showing my new design;

FIG. 2 is a front elevational view thereof;

FIG. 3 is a right side elevational view thereof;

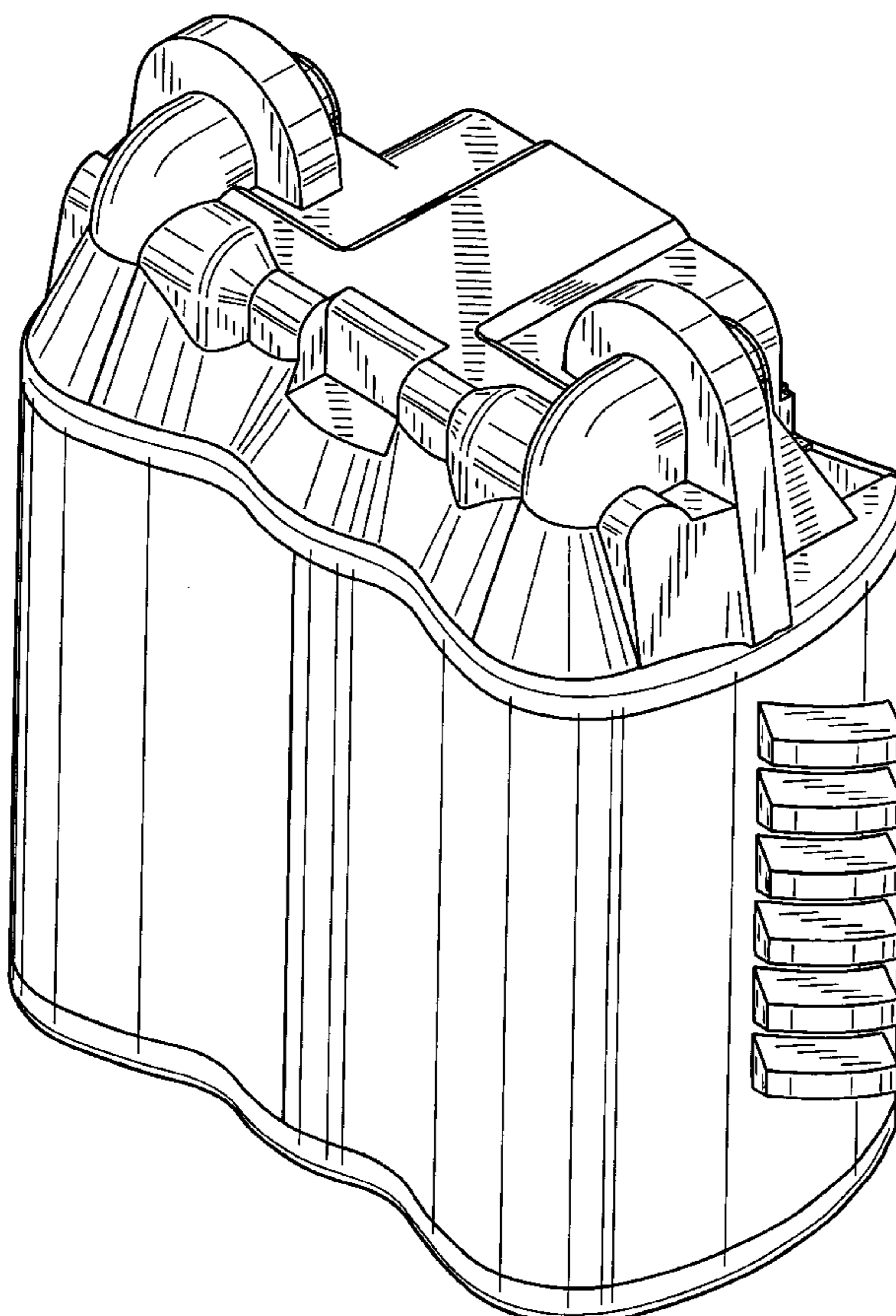
FIG. 4 is a rear elevational view thereof;

FIG. 5 is a top plan view thereof; and,

FIG. 6 is a bottom plan view thereof.

The bottom and rear of the underwater breathing apparatus of my new design are unornamented and not considered part of the design. The broken lines in FIGS. 4 and 6 define the bounds of the claimed design and form no part thereof.

1 Claim, 4 Drawing Sheets



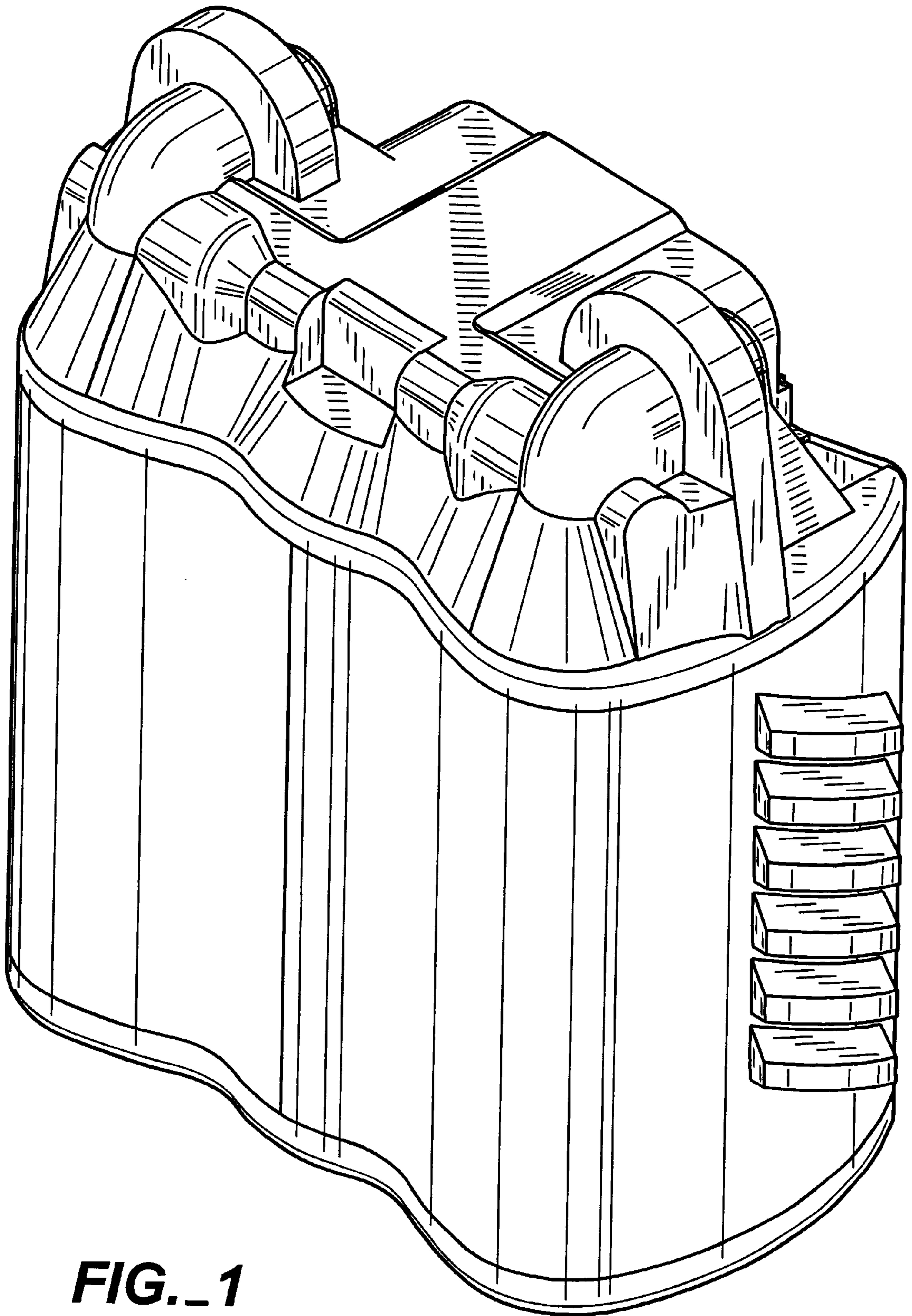


FIG. 1

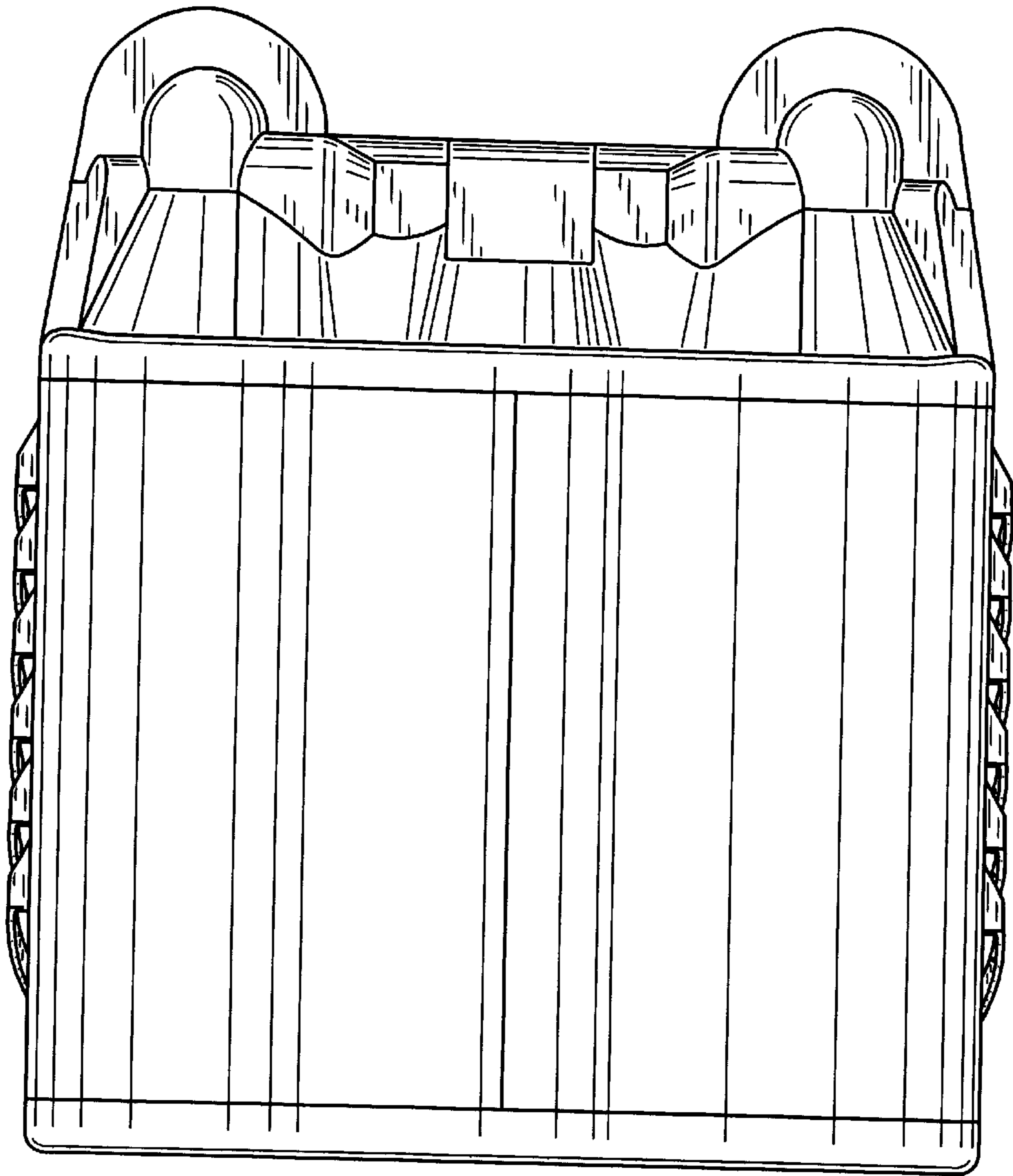


FIG. 2

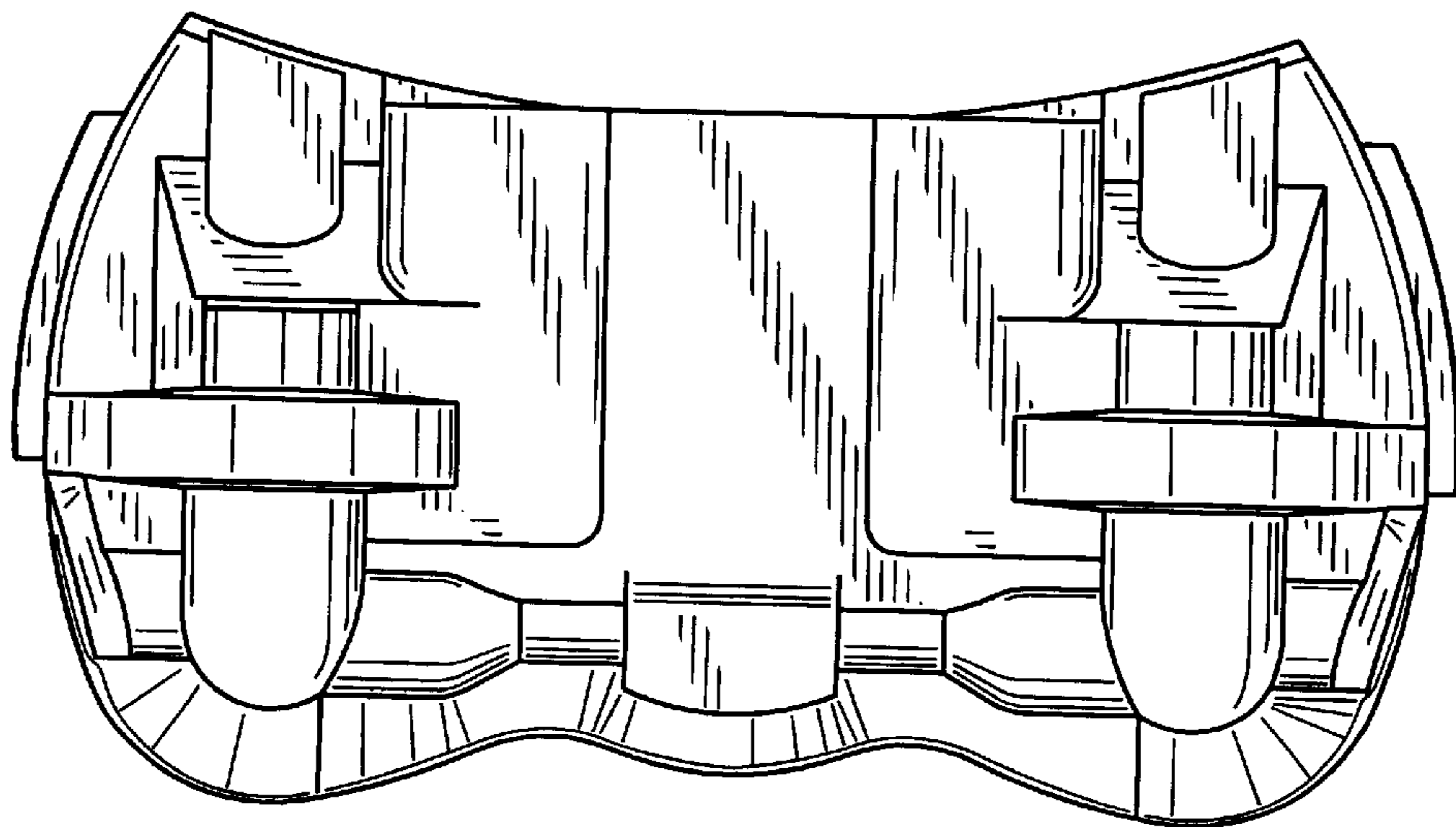


FIG. 5

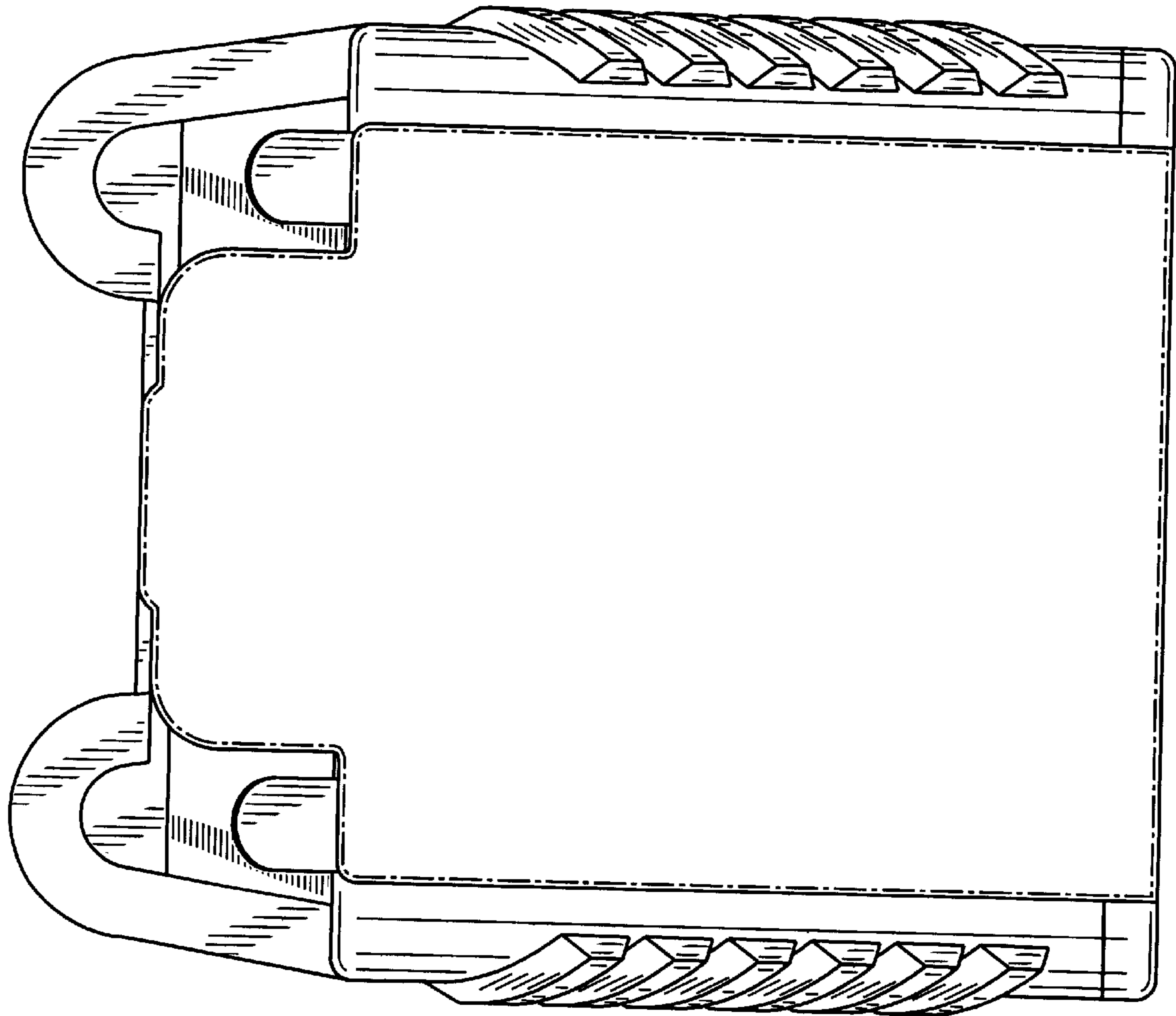


FIG. 4

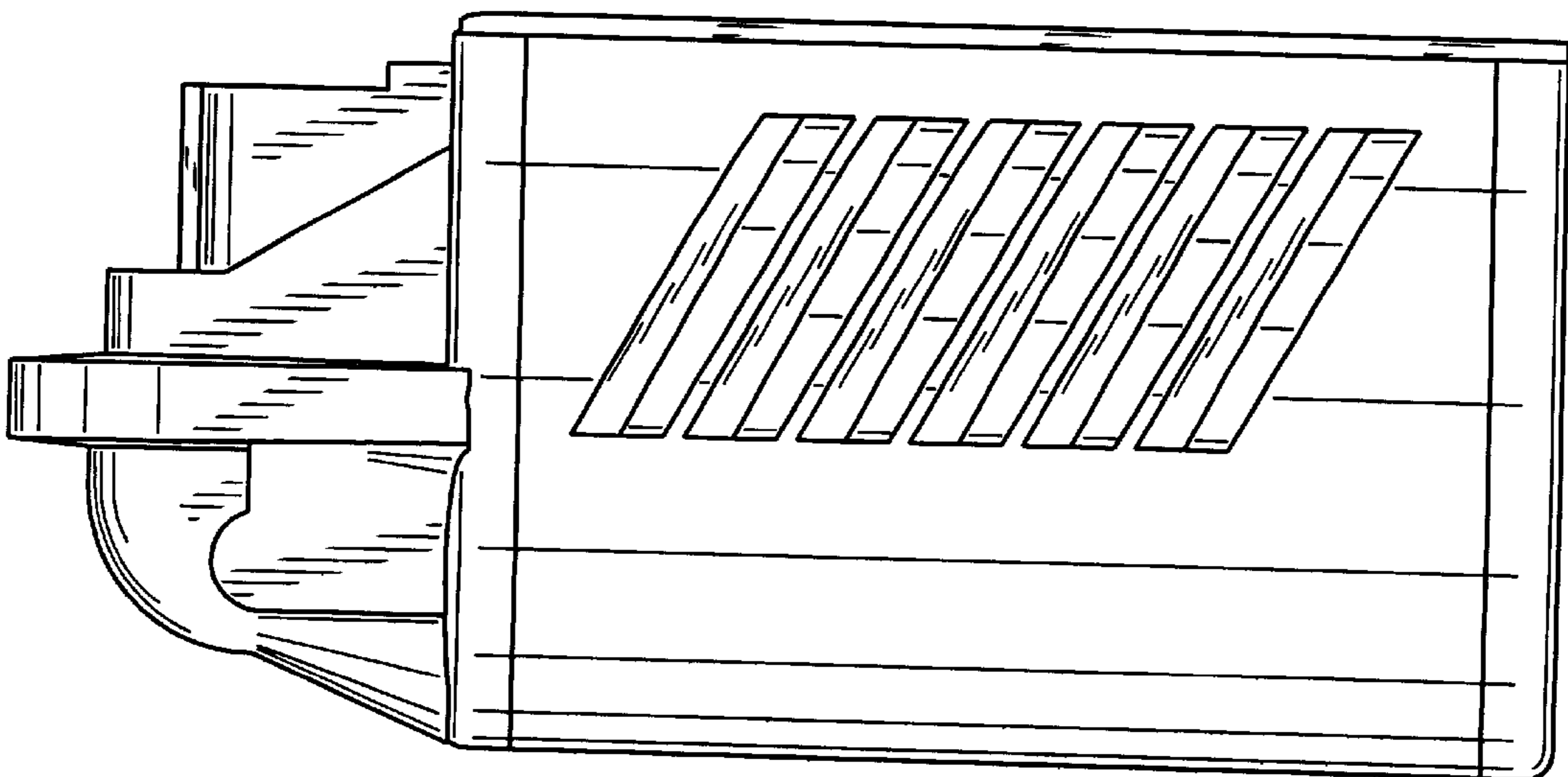


FIG. 3

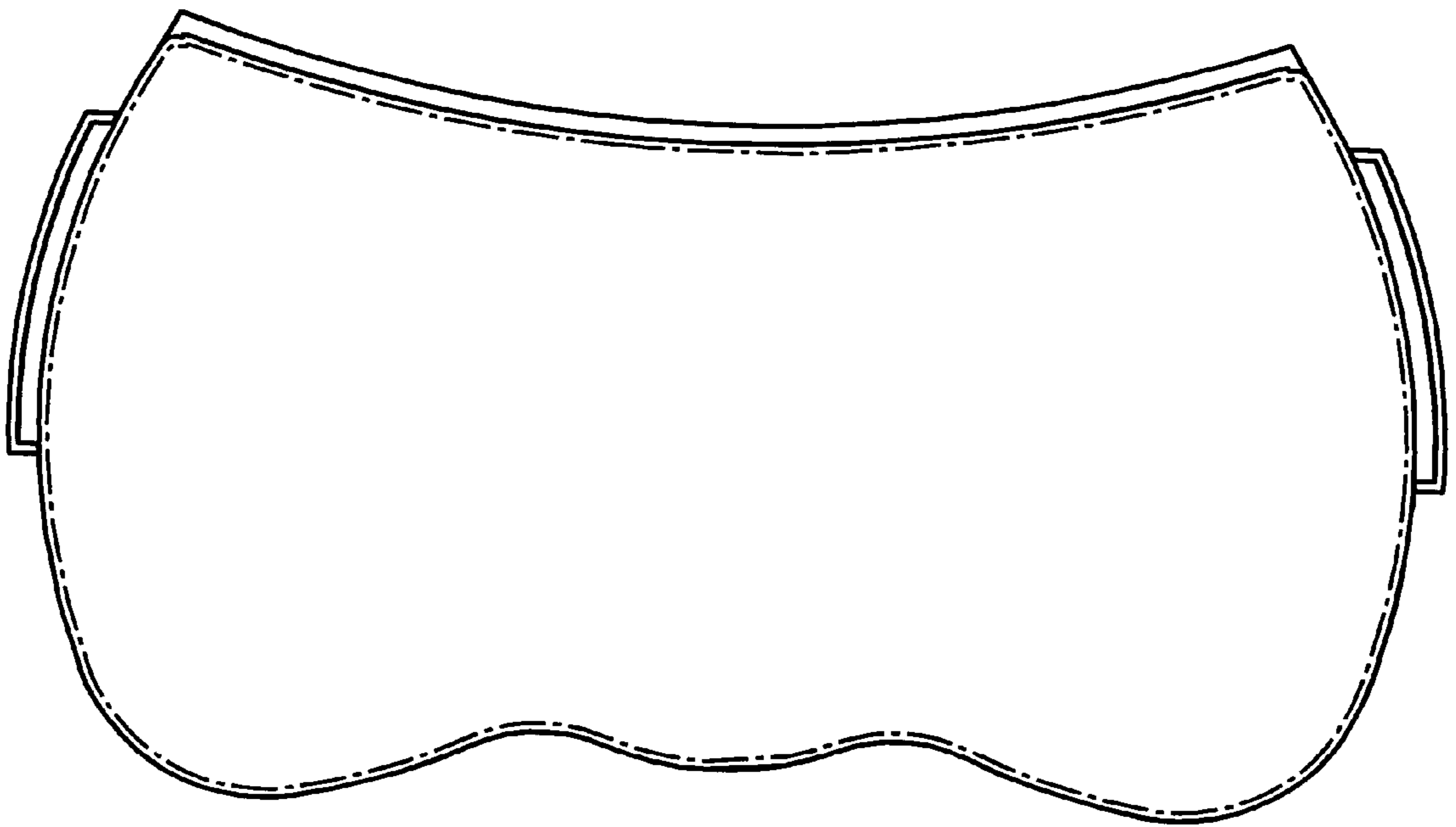


FIG. 6