



US00D483856S

(12) **United States Design Patent**  
**Stauffer**

(10) **Patent No.:** **US D483,856 S**

(45) **Date of Patent:** **\*\* Dec. 16, 2003**

(54) **CEILING FAN BLADE IRON**

Hunter Prestige 2002 (Marseille, Salinas).

(75) Inventor: **Michael J. Stauffer**, Memphis, TN  
(US)

\* cited by examiner

(73) Assignee: **Hunter Fan Company**, Memphis, TN  
(US)

*Primary Examiner*—Lisa Lichtenstein  
(74) *Attorney, Agent, or Firm*—Baker Donelson

(\*\*) Term: **14 Years**

(57) **CLAIM**

(21) Appl. No.: **29/176,777**

The ornamental design for a ceiling fan blade iron, as shown and described.

(22) Filed: **Feb. 26, 2003**

**DESCRIPTION**

(51) **LOC (7) Cl.** ..... **23-04**

FIG. 1 is a perspective view of a ceiling fan blade iron showing my new design.

(52) **U.S. Cl.** ..... **D23/411**

FIG. 2 is a top view thereof.

(58) **Field of Search** ..... D23/411, 377,  
D23/379, 385; 416/5; 392/364

FIG. 3 is a bottom view thereof.

FIG. 4 is a rear view thereof.

FIG. 5 is a front view thereof.

FIG. 6 is a left side view thereof; and,

FIG. 7 is a right side view thereof.

(56) **References Cited**

**U.S. PATENT DOCUMENTS**

D454,630 S \* 3/2002 Hidalgo ..... D23/377  
D476,410 S \* 6/2003 Young ..... D23/411

The broken line showing of environmental structure in FIGS. 1-3 is for illustrative purposes only and forms no part of the claimed design.

**OTHER PUBLICATIONS**

Casablanca Fan Company 2002 Product Catalog (Nouvelle p. 25, le Grande p. 47).

**1 Claim, 4 Drawing Sheets**

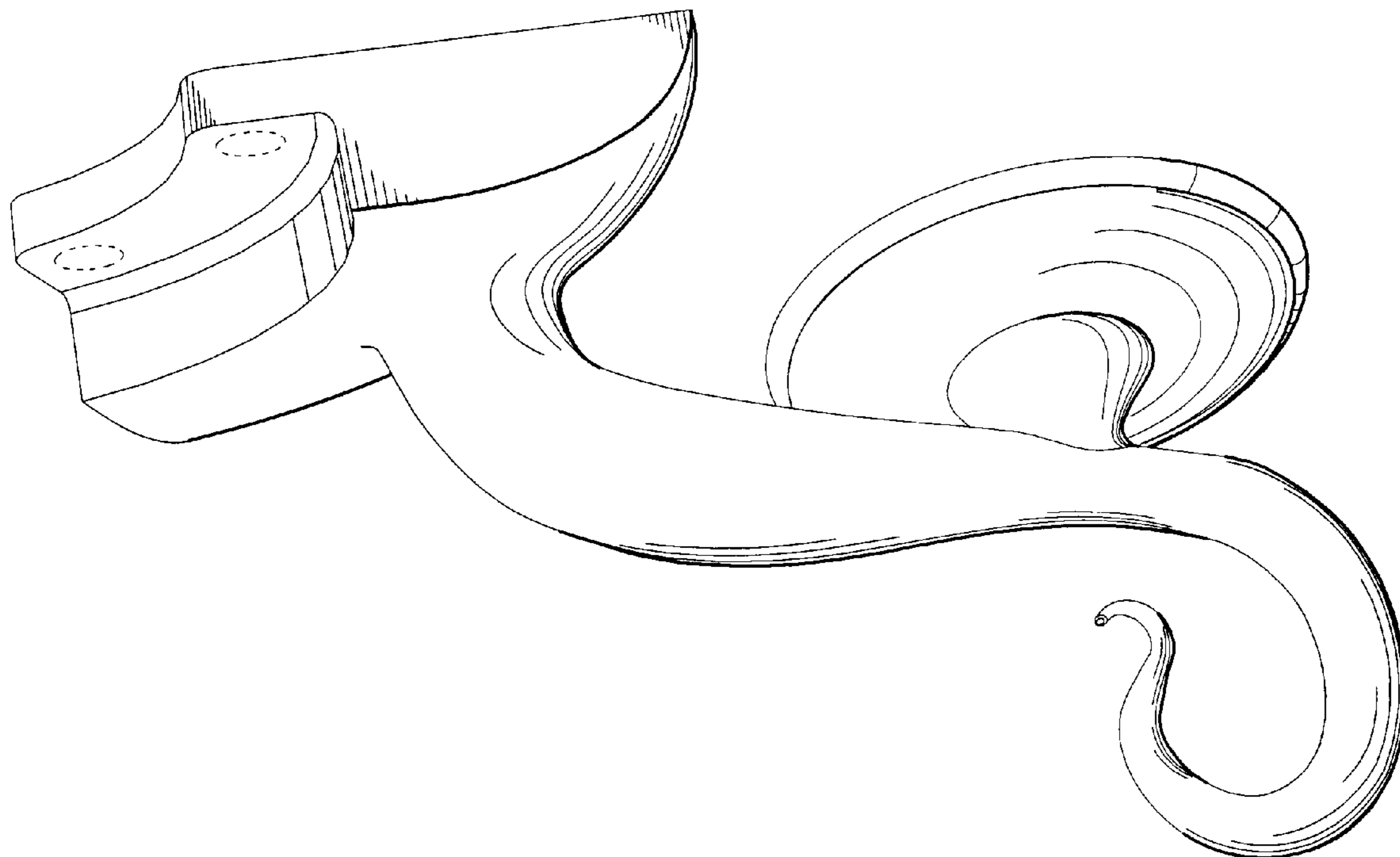


Fig. 1

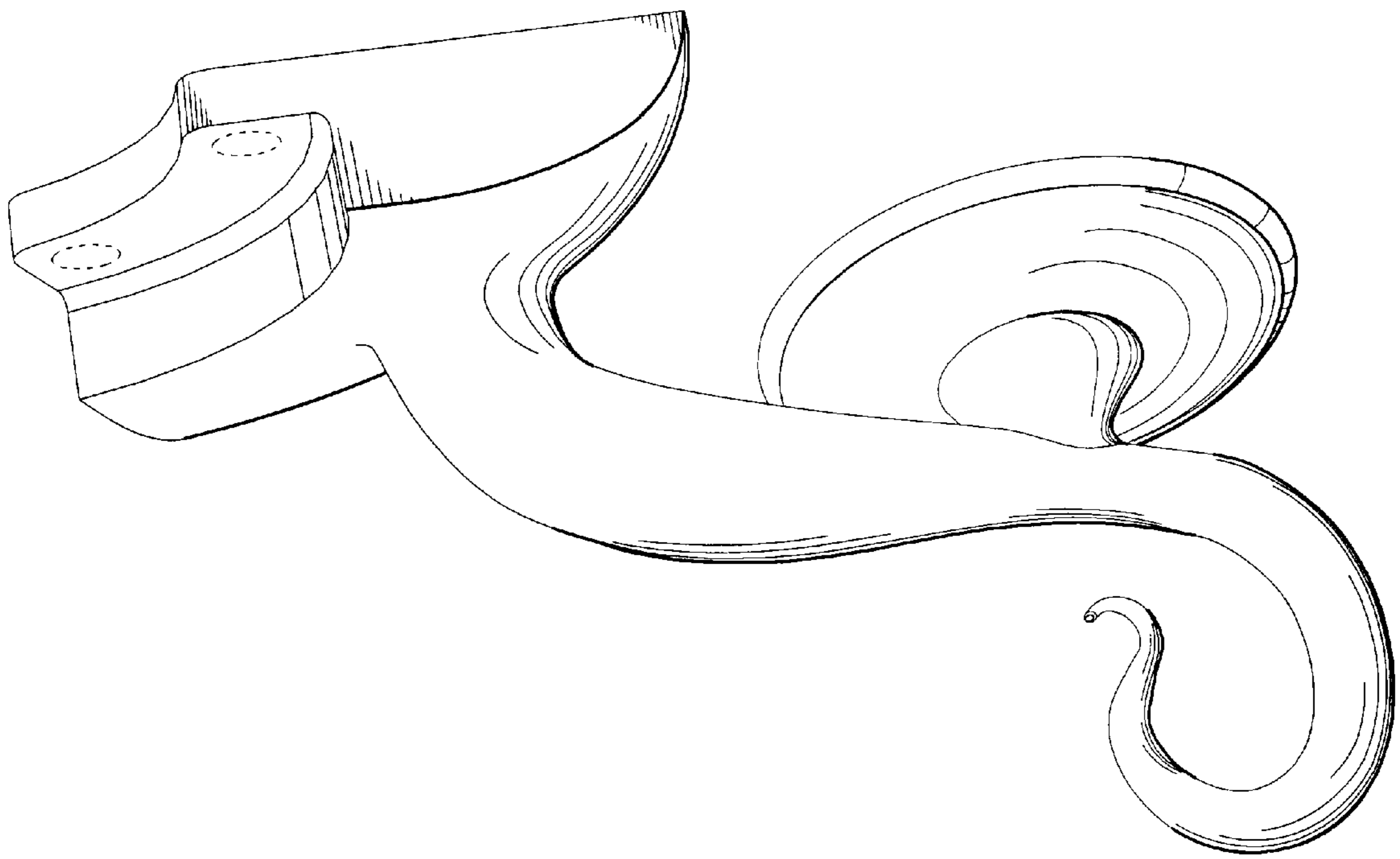


Fig. 2

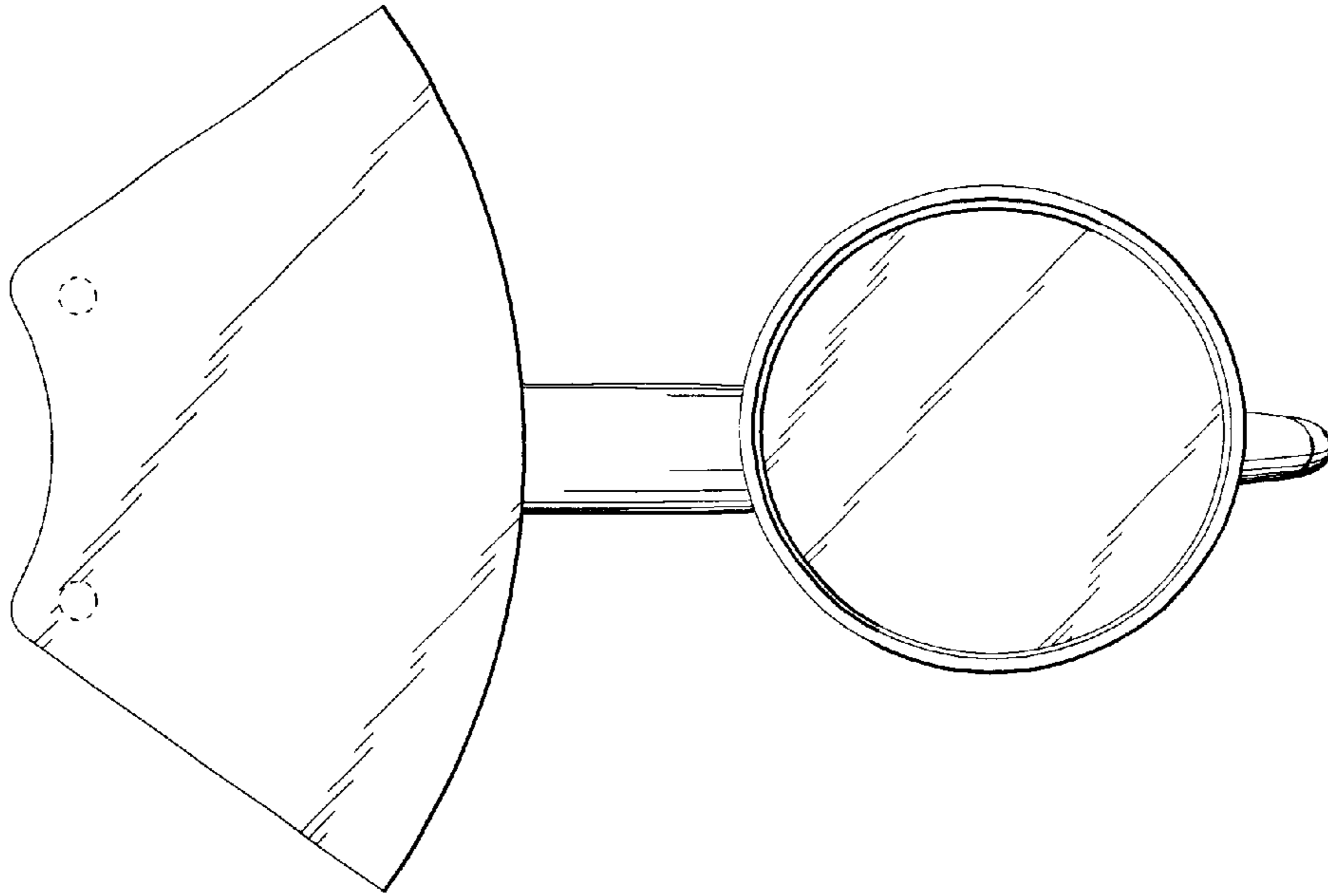


Fig. 3

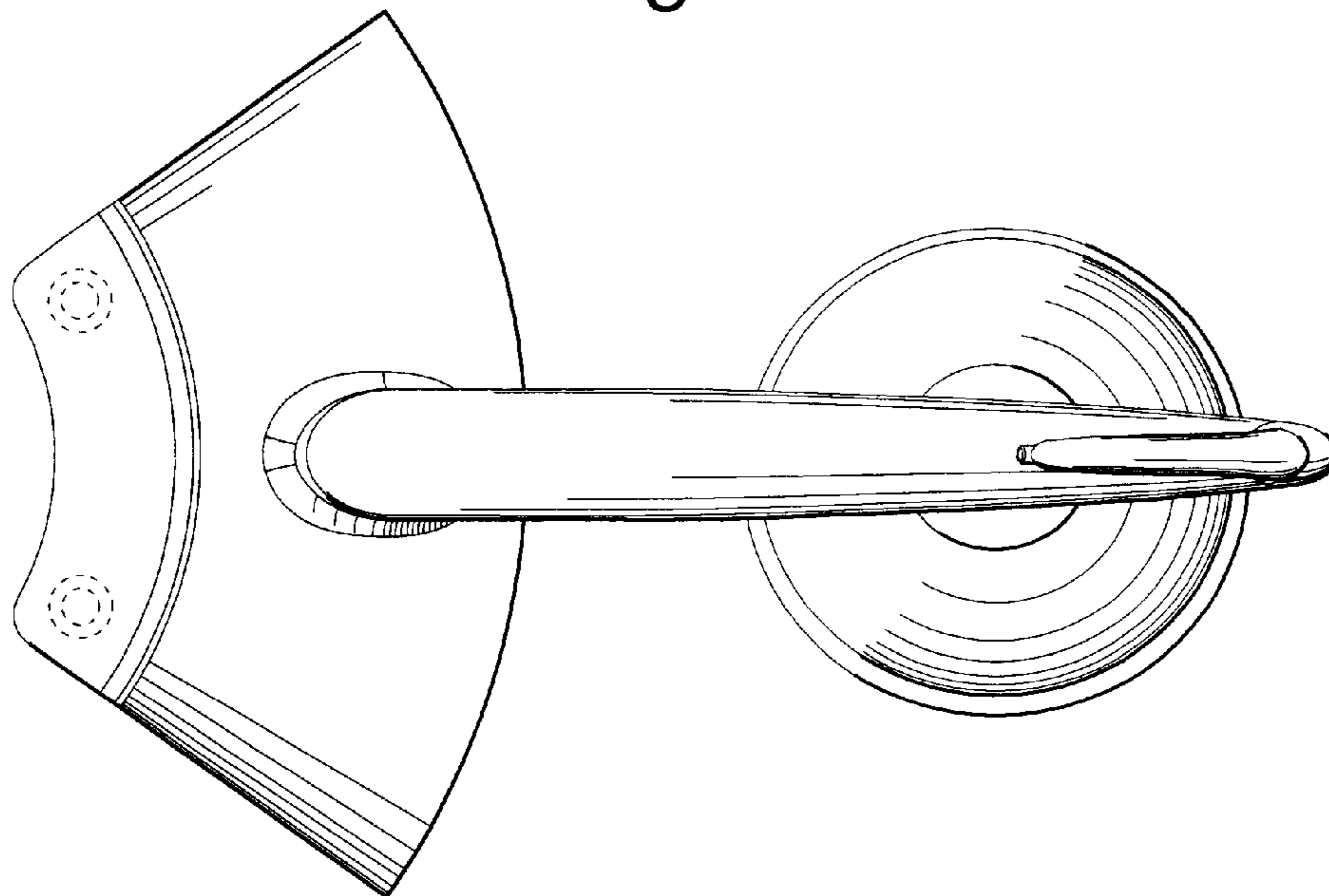


Fig. 4

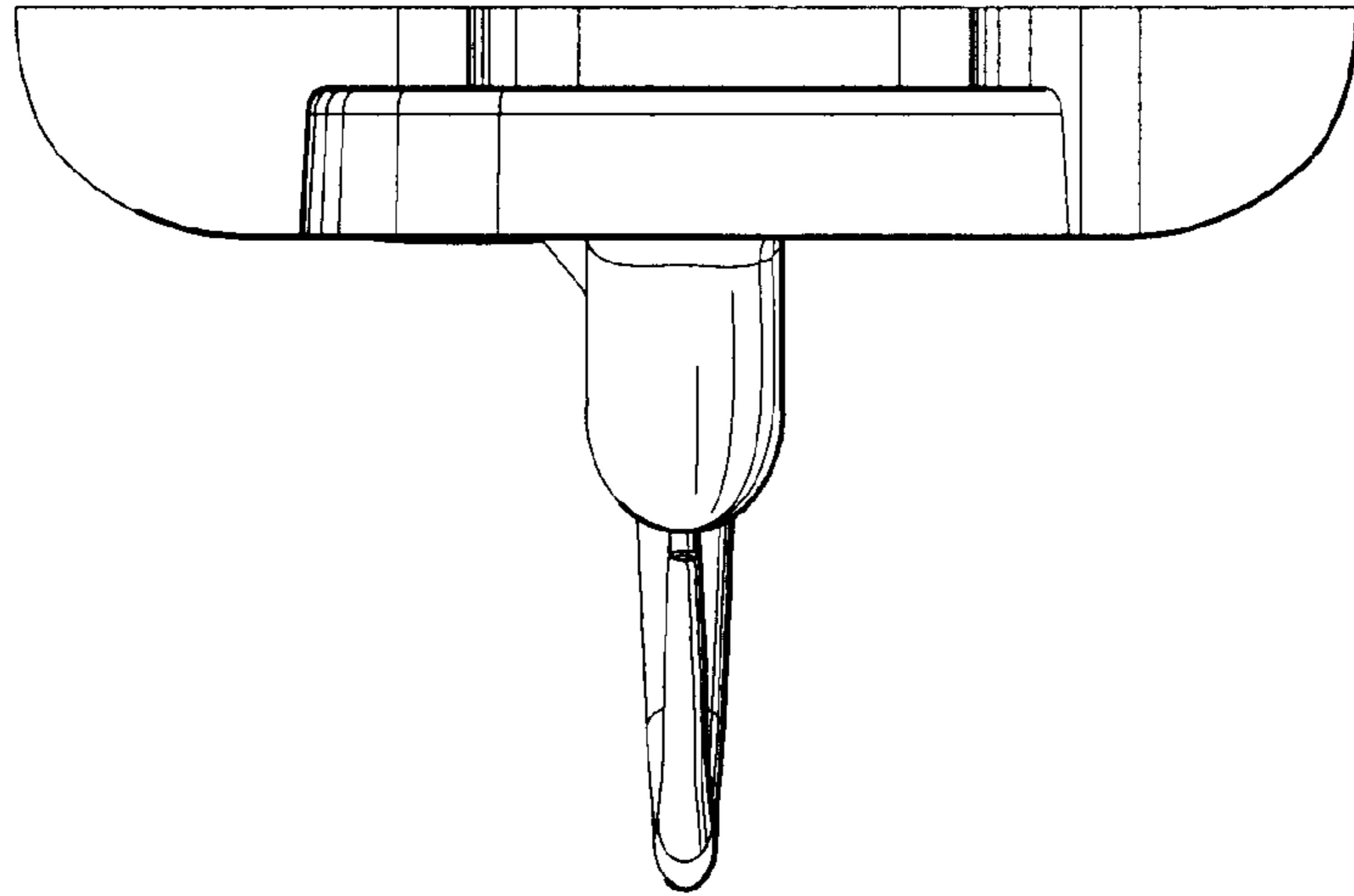


Fig. 5

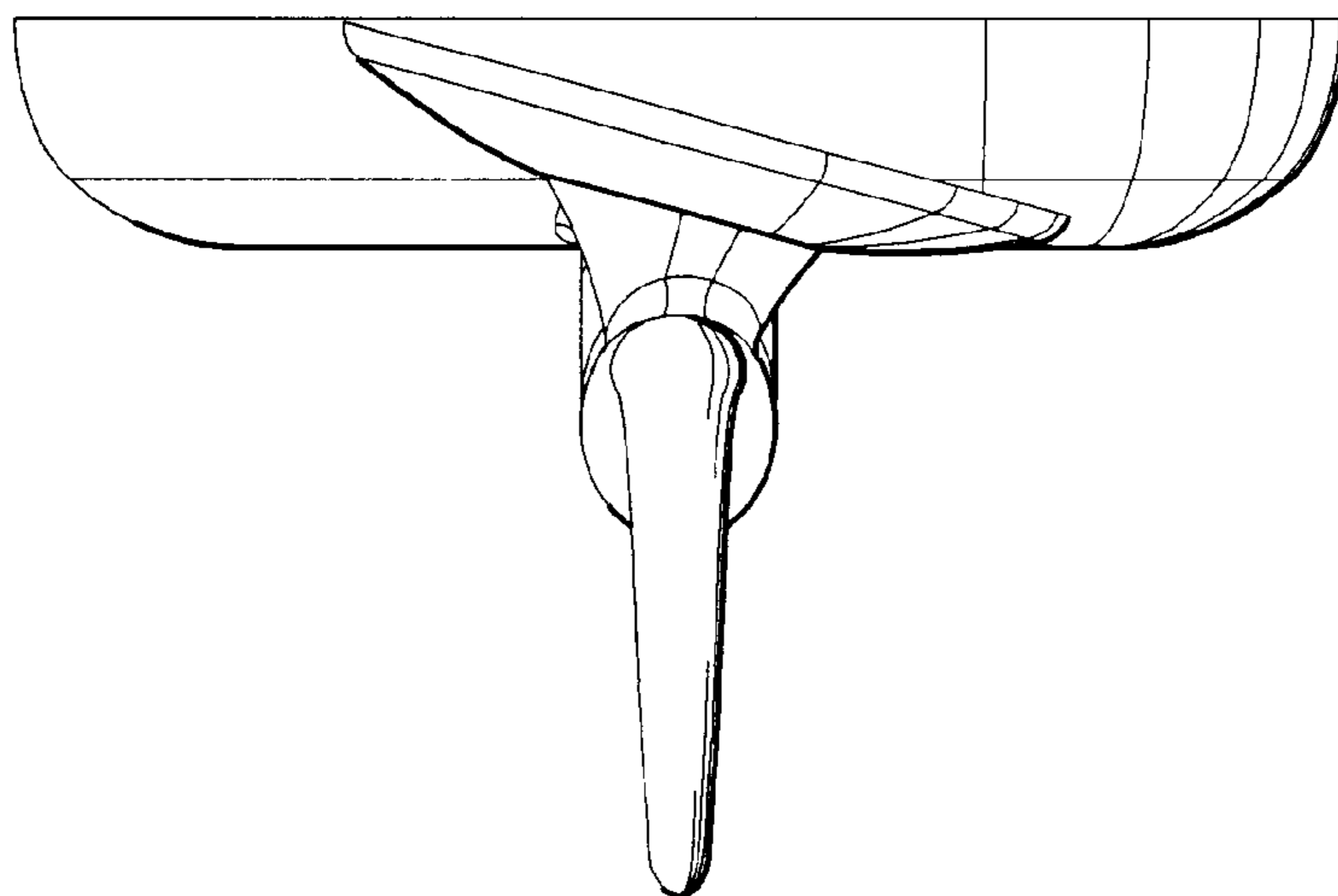


Fig. 6

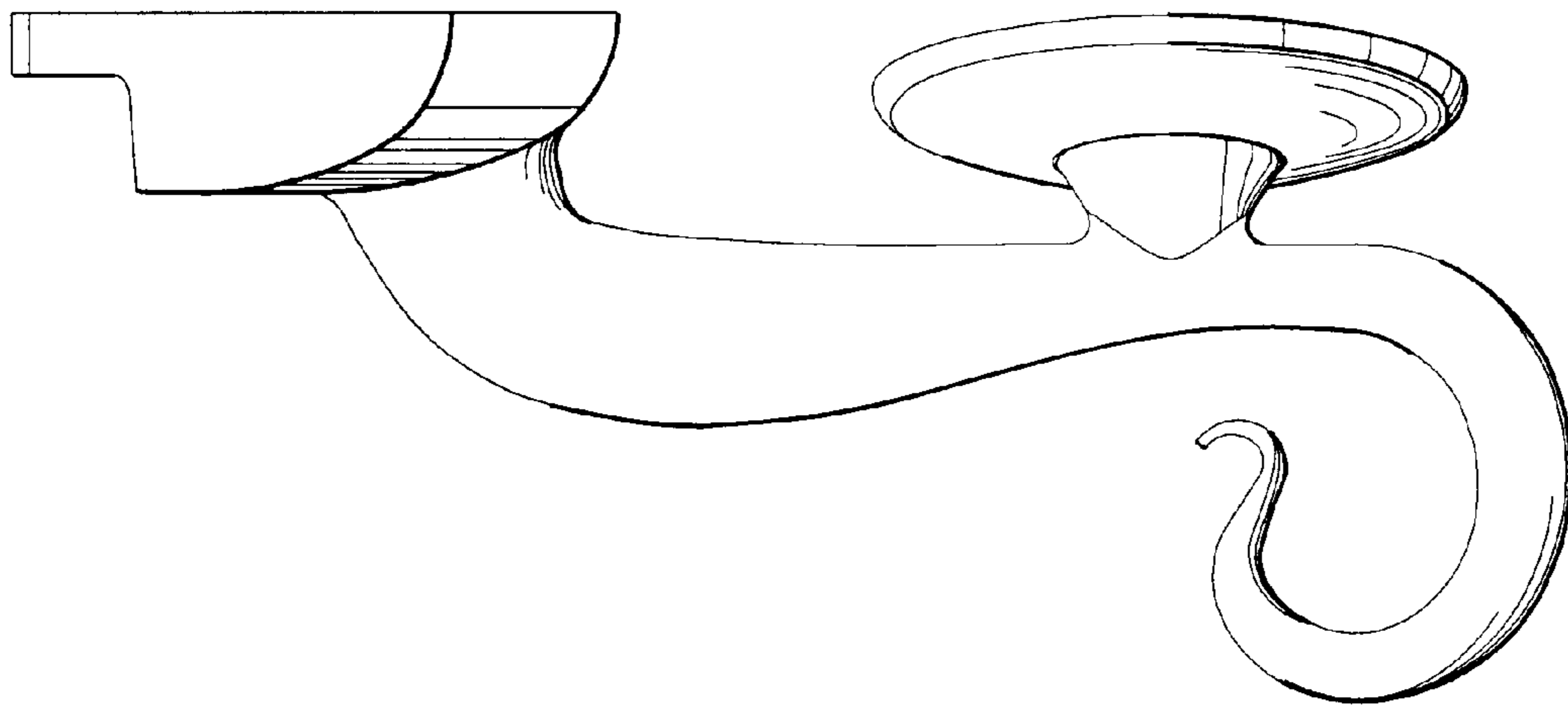


Fig. 7

