



US00D483854S

(12) **United States Design Patent** (10) **Patent No.:** **US D483,854 S**  
**Stauffer** (45) **Date of Patent:** **\*\* Dec. 16, 2003**

(54) **CEILING FAN MOTOR HOUSING**  
 (75) Inventor: **Michael J. Stauffer**, Memphis, TN (US)  
 (73) Assignee: **Hunter Fan Company**, Memphis, TN (US)  
 (\*\*) Term: **14 Years**  
 (21) Appl. No.: **29/175,843**  
 (22) Filed: **Feb. 11, 2003**  
 (51) **LOC (7) Cl.** ..... **23-04**  
 (52) **U.S. Cl.** ..... **D23/411**  
 (58) **Field of Search** ..... D23/411, 377, D23/379, 385; 416/5; 392/364

(56) **References Cited**  
**U.S. PATENT DOCUMENTS**  
 D400,244 S \* 10/1998 Davis, Jr. .... D23/411  
**OTHER PUBLICATIONS**  
 Casablanca Fan Company 2002 Product Catalog (Brescia p. 24, Campana p. 37, Metropolitan p. 40, Capistrano p. 41, Utopian p. 50).

Hunter Prestige 2002 (Dimensions, Millennium).  
 \* cited by examiner  
*Primary Examiner*—Lisa Lichtenstein  
 (74) *Attorney, Agent, or Firm*—Baker Donelson

(57) **CLAIM**  
 The ornamental design for a ceiling fan motor housing, as shown and described.

**DESCRIPTION**  
 FIG. 1 is a perspective view of a ceiling fan motor housing showing my new design.  
 FIG. 2 is a left side view thereof.  
 FIG. 3 is a front view thereof.  
 FIG. 4 is a right side view thereof.  
 FIG. 5 is a rear view thereof.  
 FIG. 6 is a bottom view thereof on a reduced scale; and, FIG. 7 is a top view thereof on a reduced scale.  
 The broken line showing of environmental structure in FIGS. 1–6 is for illustrative purposes only and forms no part of the claimed design.

**1 Claim, 4 Drawing Sheets**

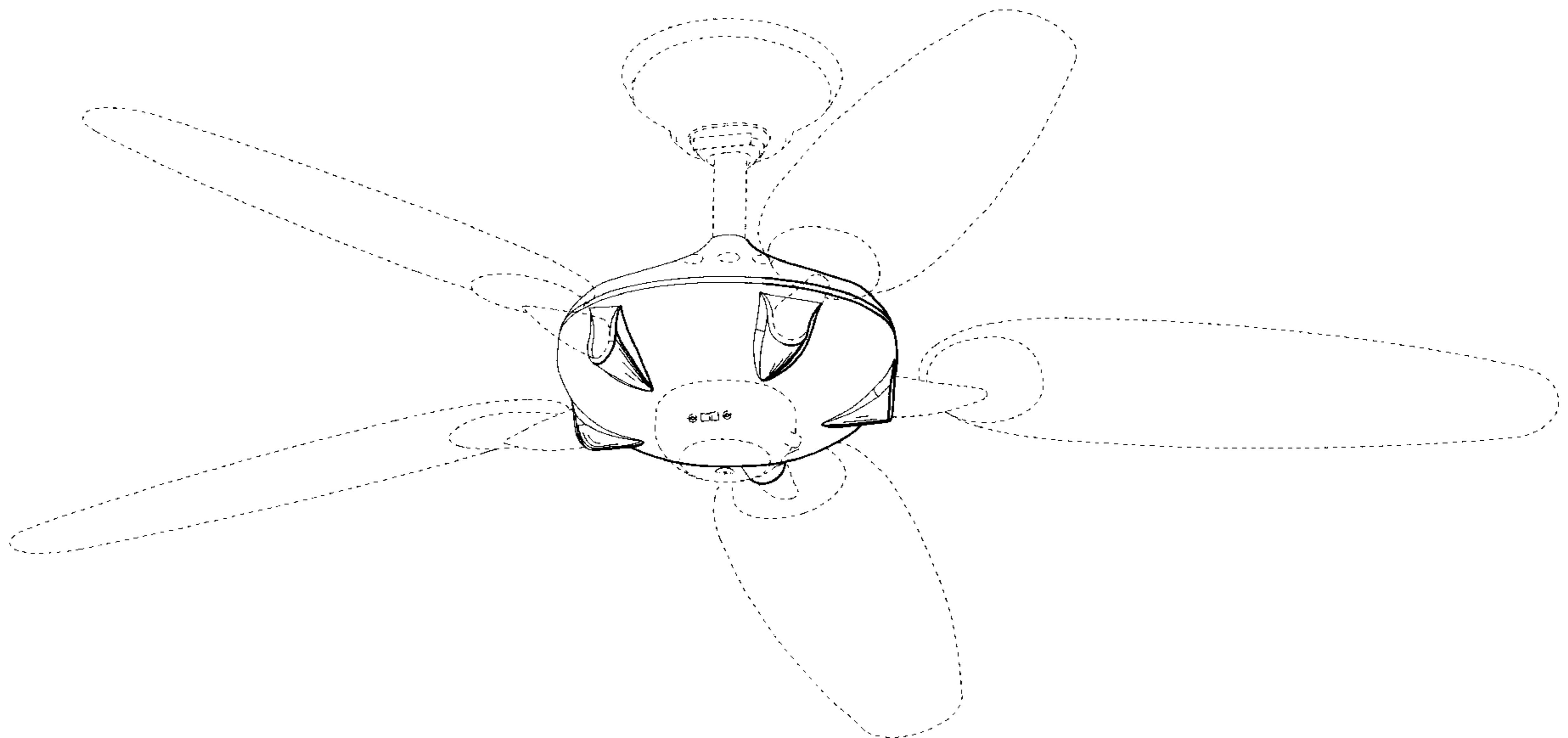


Fig. 1

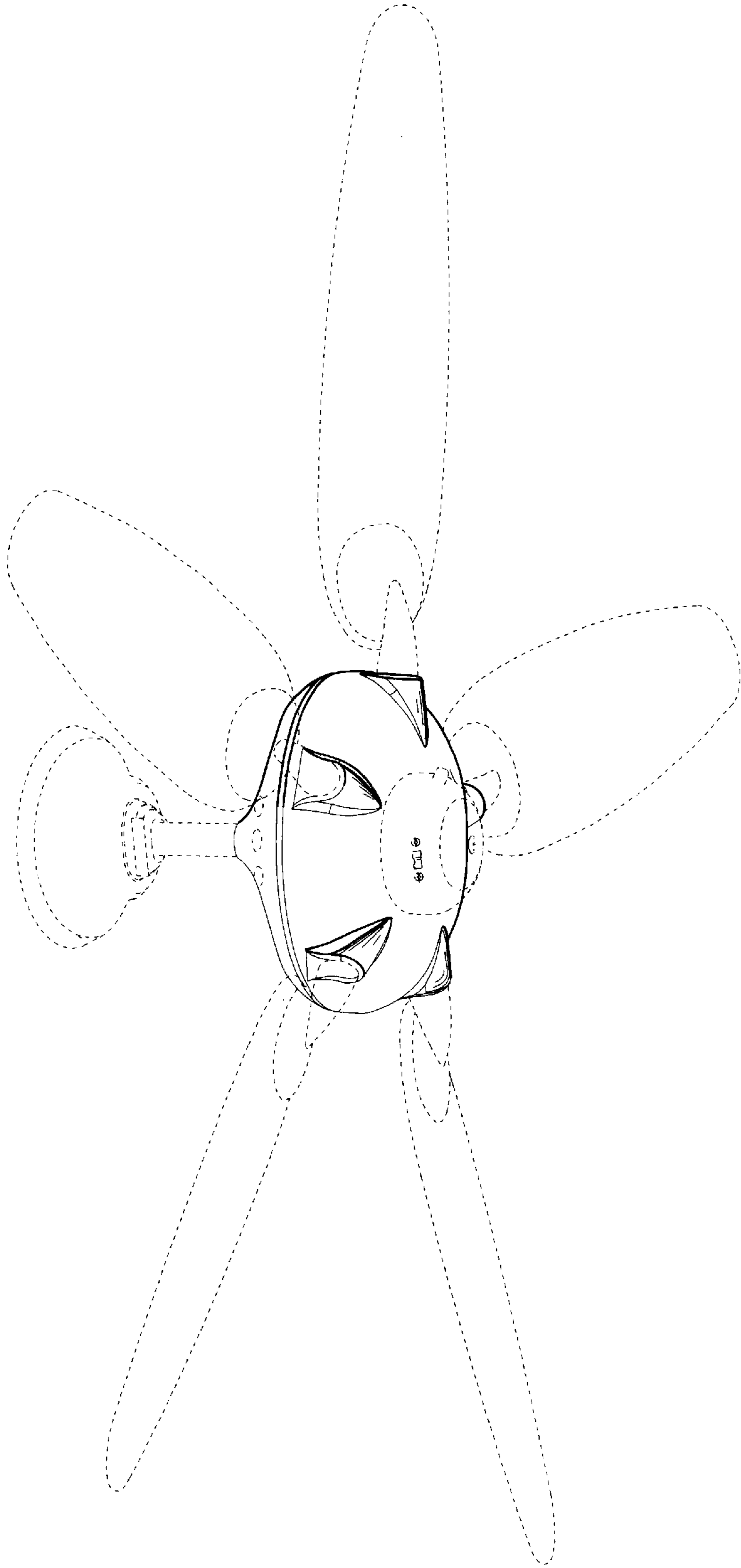


Fig. 2

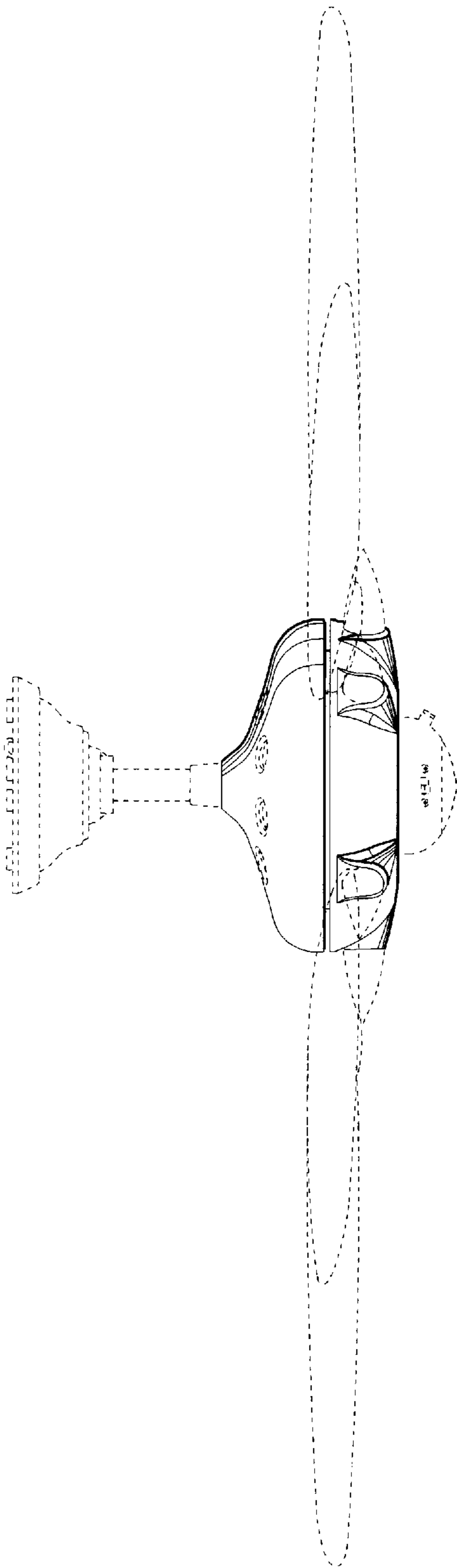


Fig. 3

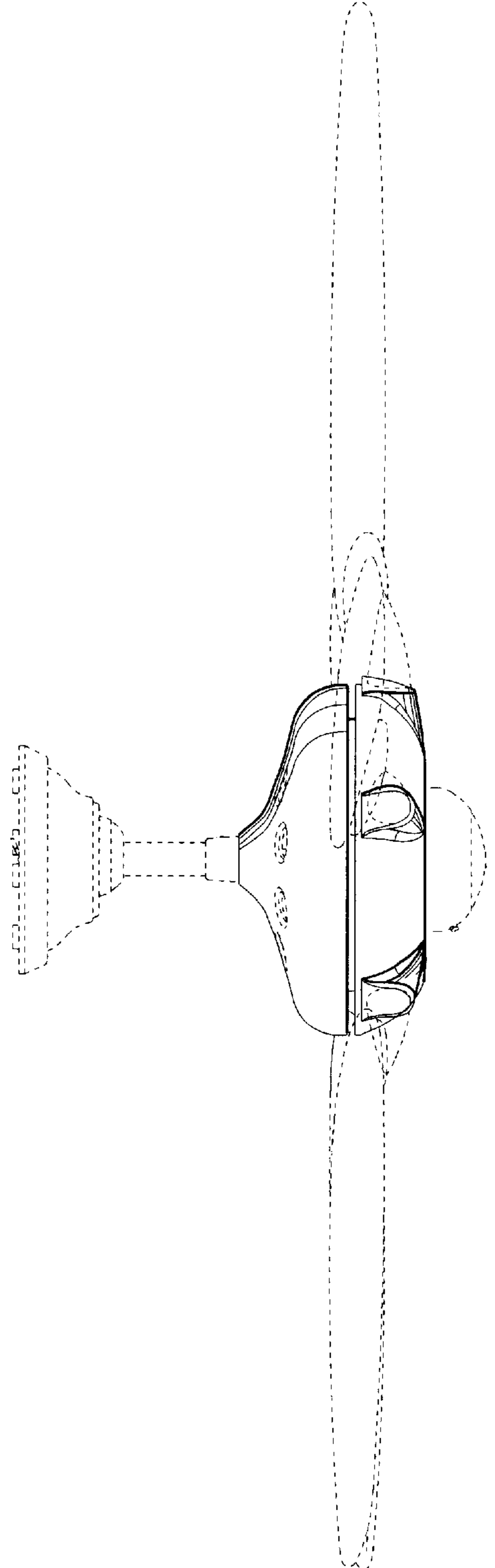


Fig. 4

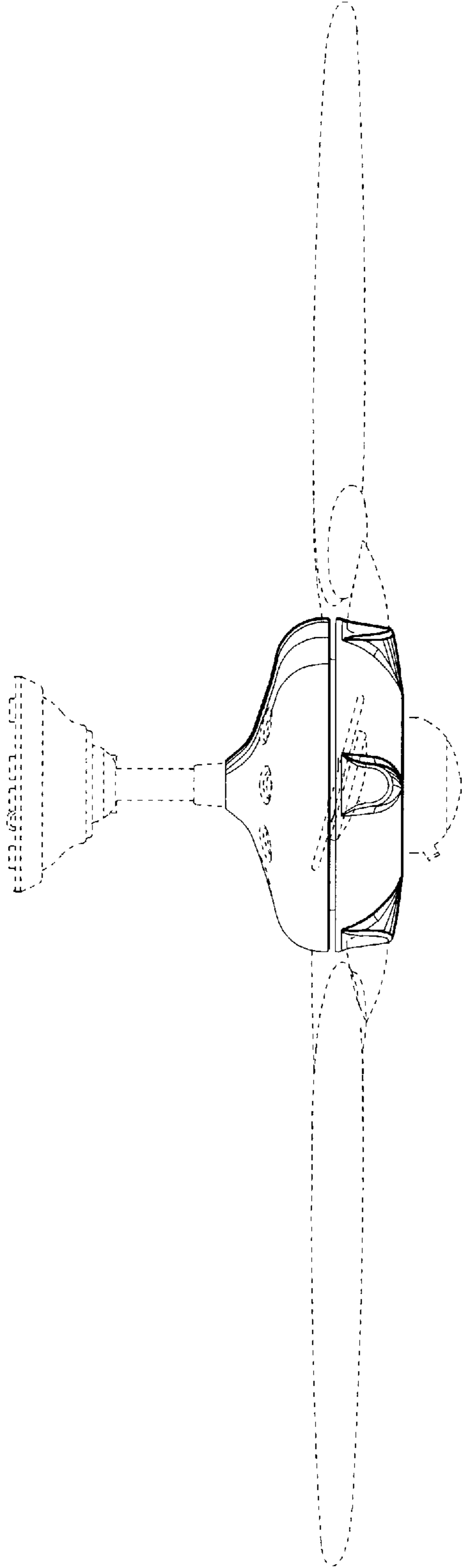


Fig. 5

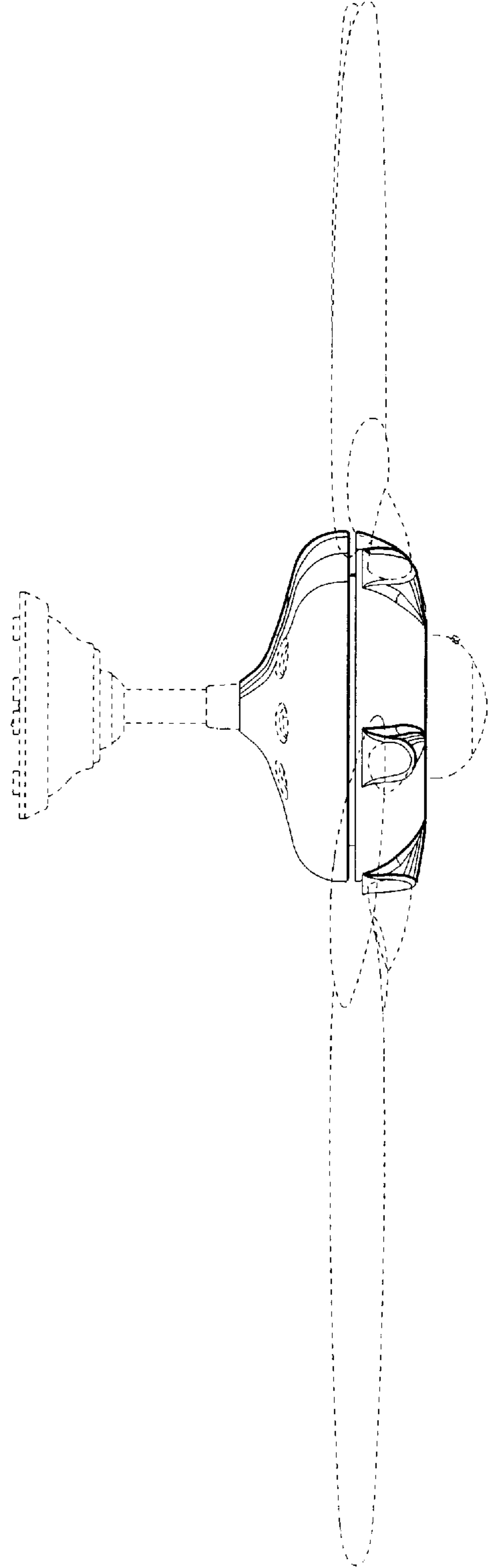


Fig. 7

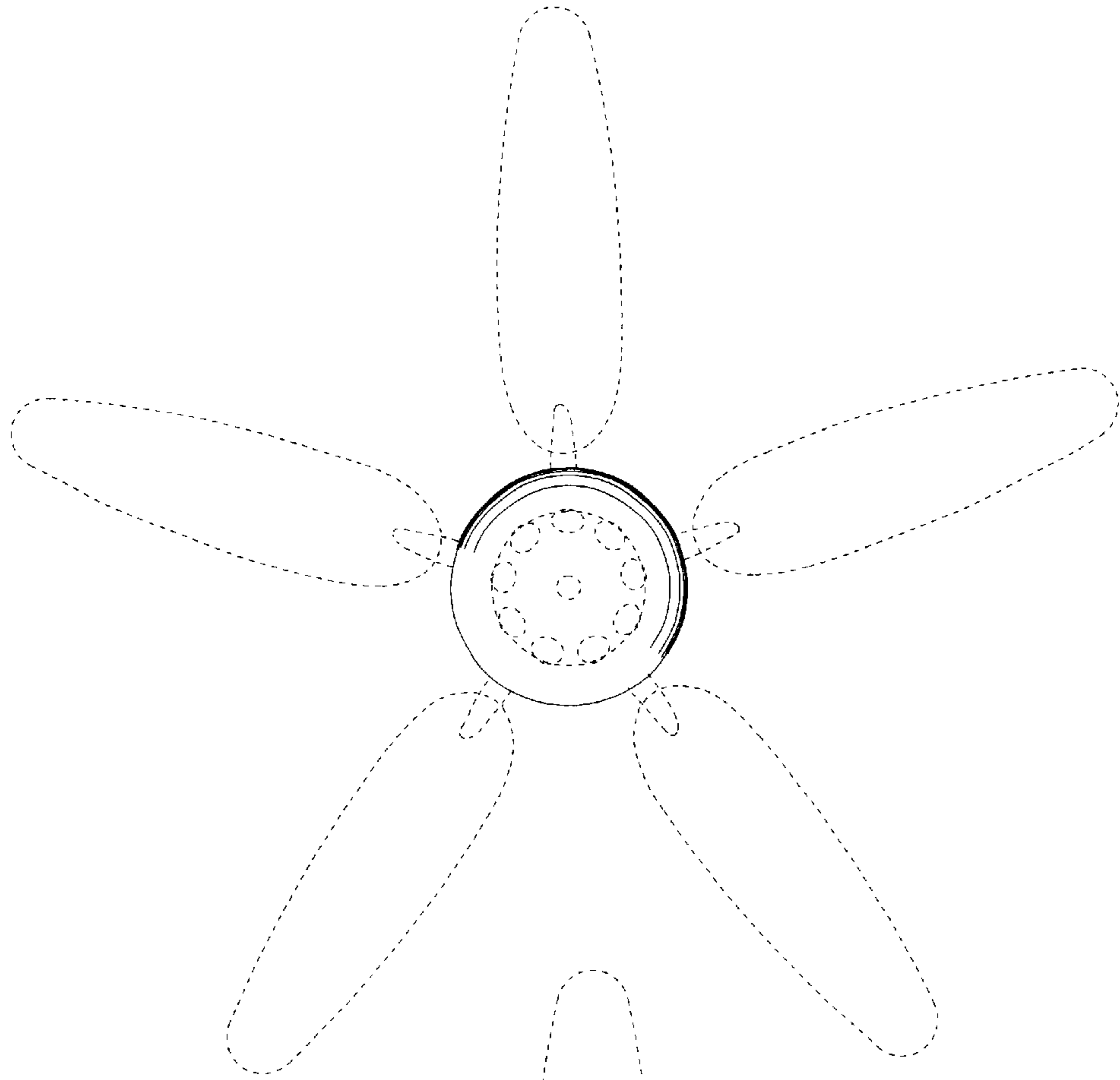


Fig. 6

