



US00D483853S

(12) **United States Design Patent**
Stauffer

(10) **Patent No.:** **US D483,853 S**

(45) **Date of Patent:** **** Dec. 16, 2003**

(54) **COMBINED CEILING FAN MOTOR HOUSING AND LIGHT KIT**

Casablanca Fan Company 2002 Product Catalog (Bella p. 31, Bel Air Halo p. 39, Stealth).

(75) Inventor: **Michael J. Stauffer**, Memphis, TN (US)

* cited by examiner

(73) Assignee: **Hunter Fan Company**, Memphis, TN (US)

Primary Examiner—Lisa Lichtenstein
(74) *Attorney, Agent, or Firm*—Baker Donleson

(**) Term: **14 Years**

(57) **CLAIM**

(21) Appl. No.: **29/172,608**

The ornamental design for a combined ceiling fan motor housing and light kit, as shown and described.

(22) Filed: **Dec. 12, 2002**

(51) **LOC (7) Cl.** **23-04**

(52) **U.S. Cl.** **D23/411**

(58) **Field of Search** D23/377, 379,
D23/385, 411, 413; D26/59, 51, 72, 81-86;
416/5

DESCRIPTION

FIG. 1 is a perspective view of a combined ceiling fan motor housing and light kit showing my new design.

FIG. 2 is a bottom view thereof.

FIG. 3 is a top view thereof; and,

FIG. 4 is a front view thereof, the rear view, right side view and left side view being substantially the same thereof.

The broken line showing of environmental structure in FIG. 1 is for illustrative purposes only and forms no part of the claimed design.

(56) **References Cited**

U.S. PATENT DOCUMENTS

D414,856 S * 10/1999 Zuege D23/377
D425,610 S * 5/2000 Gee, II D23/377

OTHER PUBLICATIONS

Hunter Fan 2001 Ceiling Fan Selection & Special Order Guide.(Auberville).

1 Claim, 4 Drawing Sheets

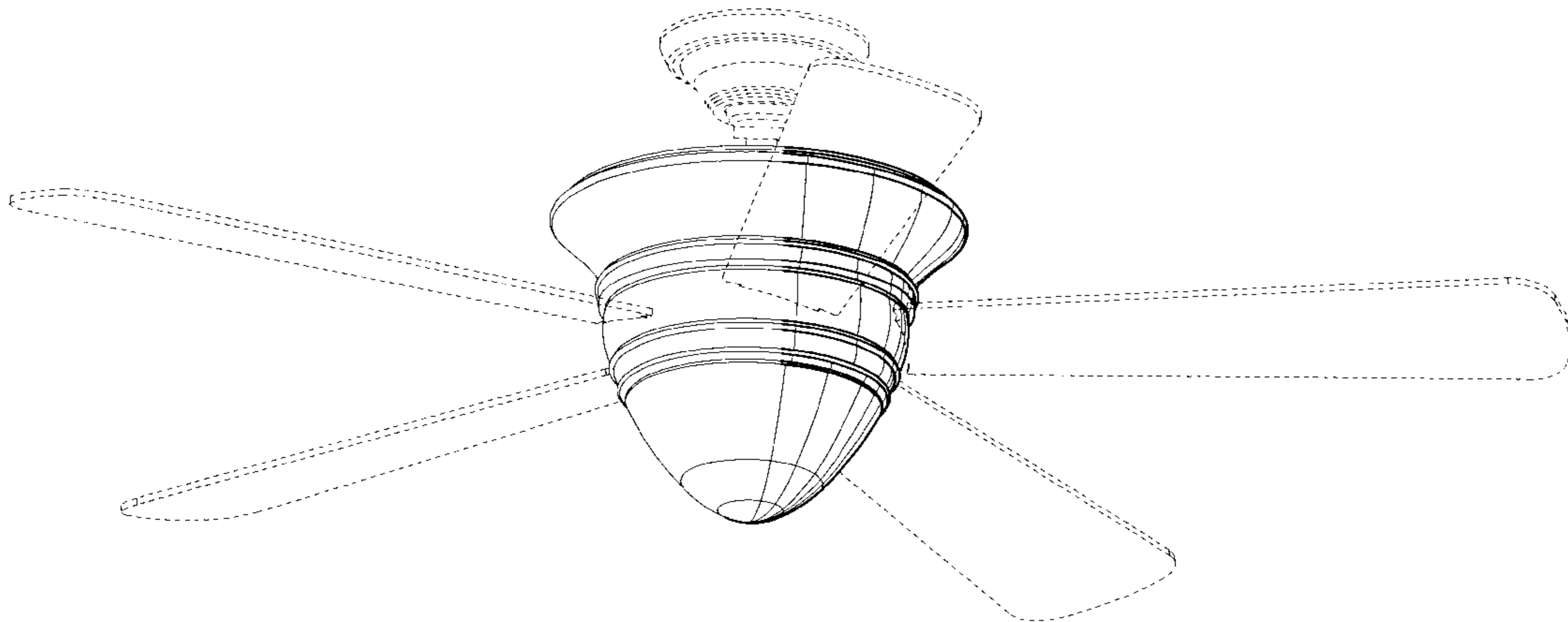


Fig. 1

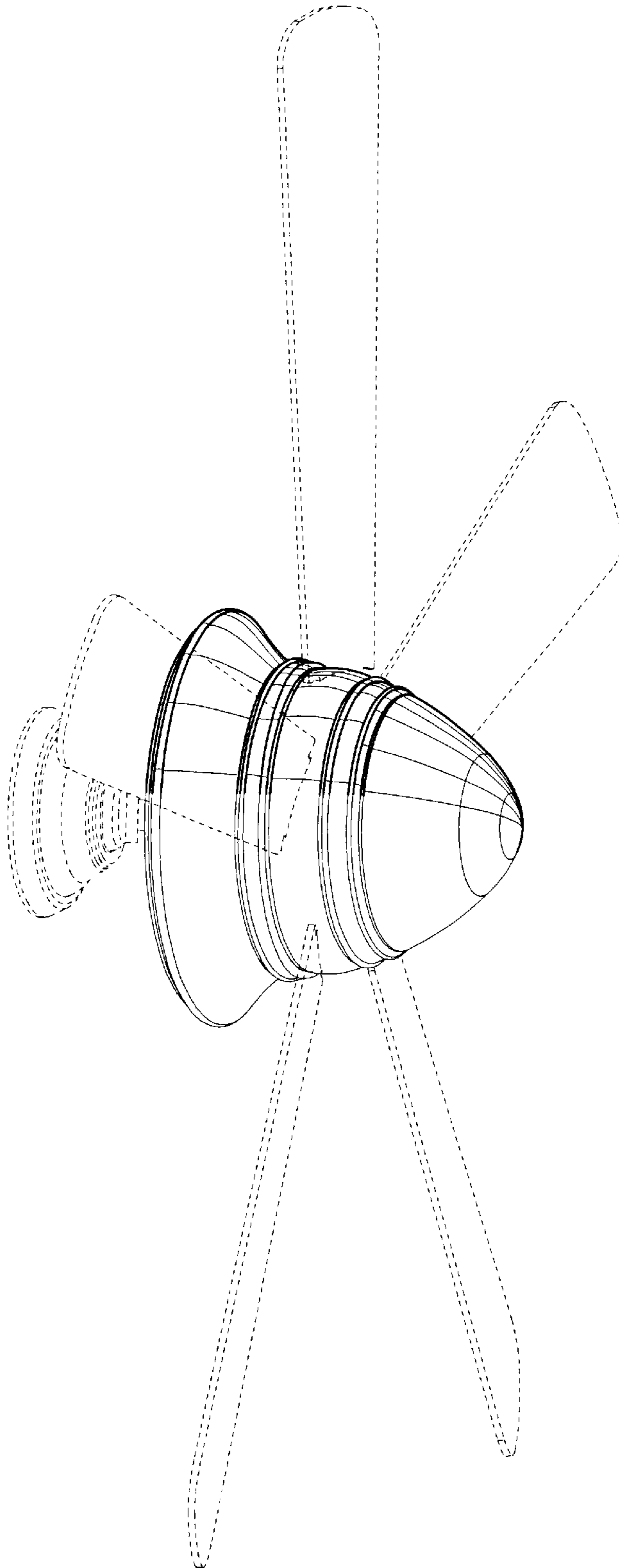


Fig. 2

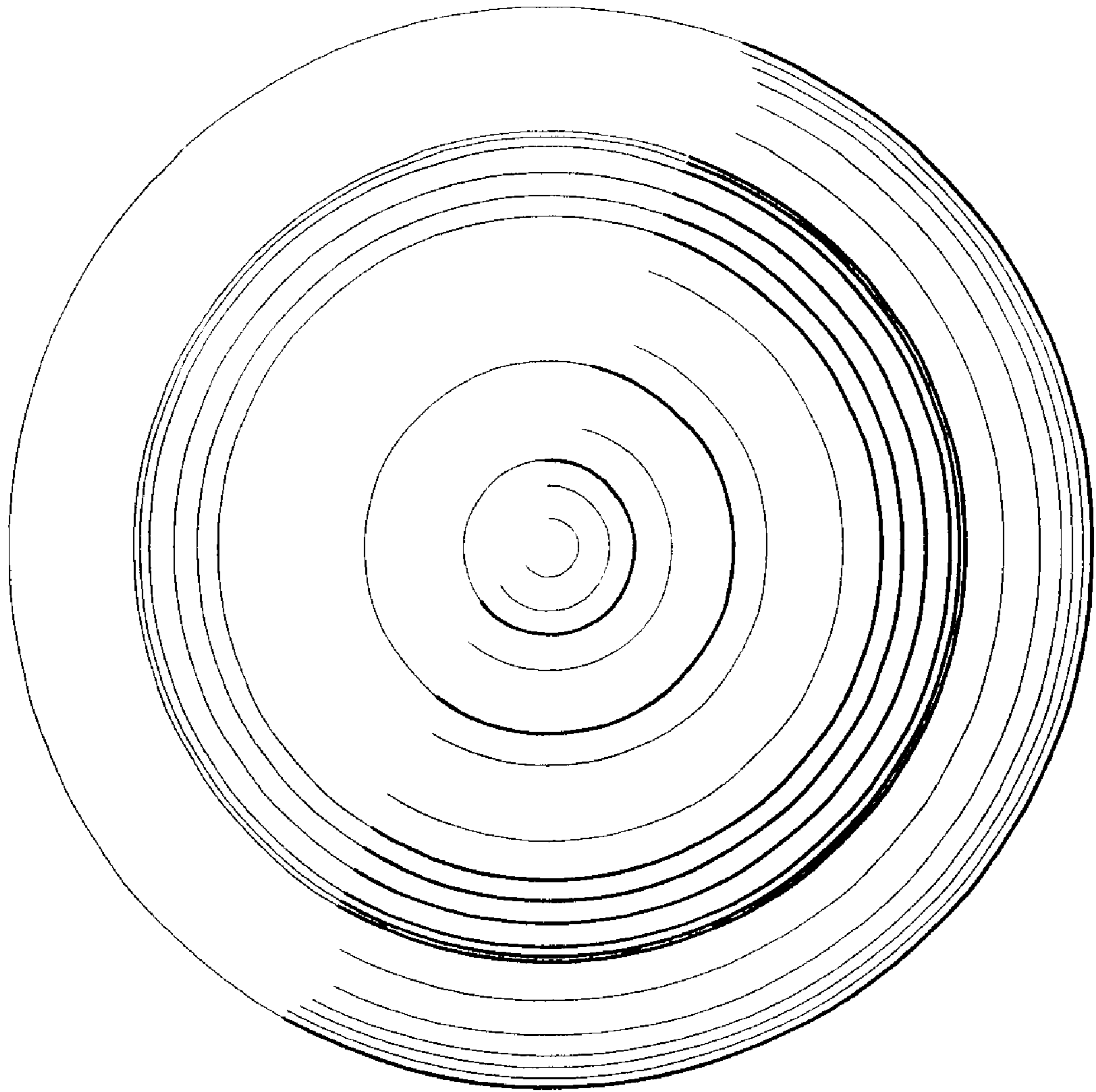


Fig. 3

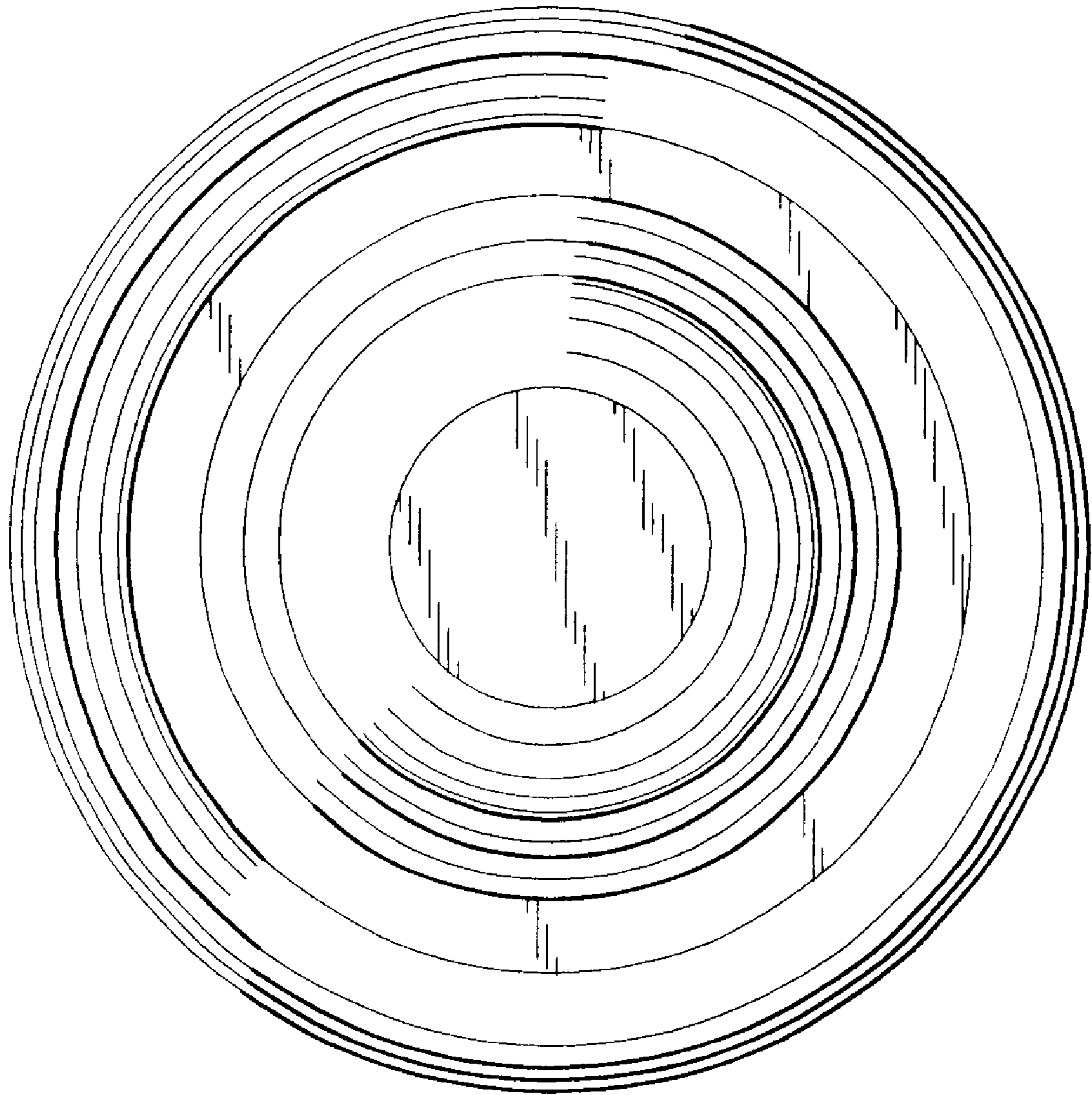


Fig. 4

