



US00D483852S

(12) **United States Design Patent**
Wong

(10) **Patent No.:** **US D483,852 S**

(45) **Date of Patent:** **** Dec. 16, 2003**

(54) **ELECTRIC FAN**

D391,357 S * 2/1998 Chi D23/382

(75) **Inventor:** **Ping Cheung Wong**, Tsuen Wan (CN)

* cited by examiner

(73) **Assignee:** **IMS International Ltd.**, Tsuen Wan (CN)

Primary Examiner—Lisa Lichtenstein
(74) *Attorney, Agent, or Firm*—Alix, Yale & Ristas, LLP

(**) **Term:** **14 Years**

(57) **CLAIM**

(21) **Appl. No.:** **29/174,290**

The ornamental design for an electric fan, as shown and described.

(22) **Filed:** **Jan. 15, 2003**

(30) **Foreign Application Priority Data**

DESCRIPTION

Jul. 16, 2002 (CN) 02 3 32152

FIG. 1 is a front view of the electric fan showing my new design;

(51) **LOC (7) Cl.** **23-04**

FIG. 2 is a rear view of the electric fan of FIG. 1;

(52) **U.S. Cl.** **D23/382**

FIG. 3 is a left side view of the electric fan of FIG. 1;

(58) **Field of Search** D23/370, 381, D23/382, 328; 416/244 R, 247 R, 246

FIG. 4 is a right side view of the electric fan of FIG. 1;

(56) **References Cited**

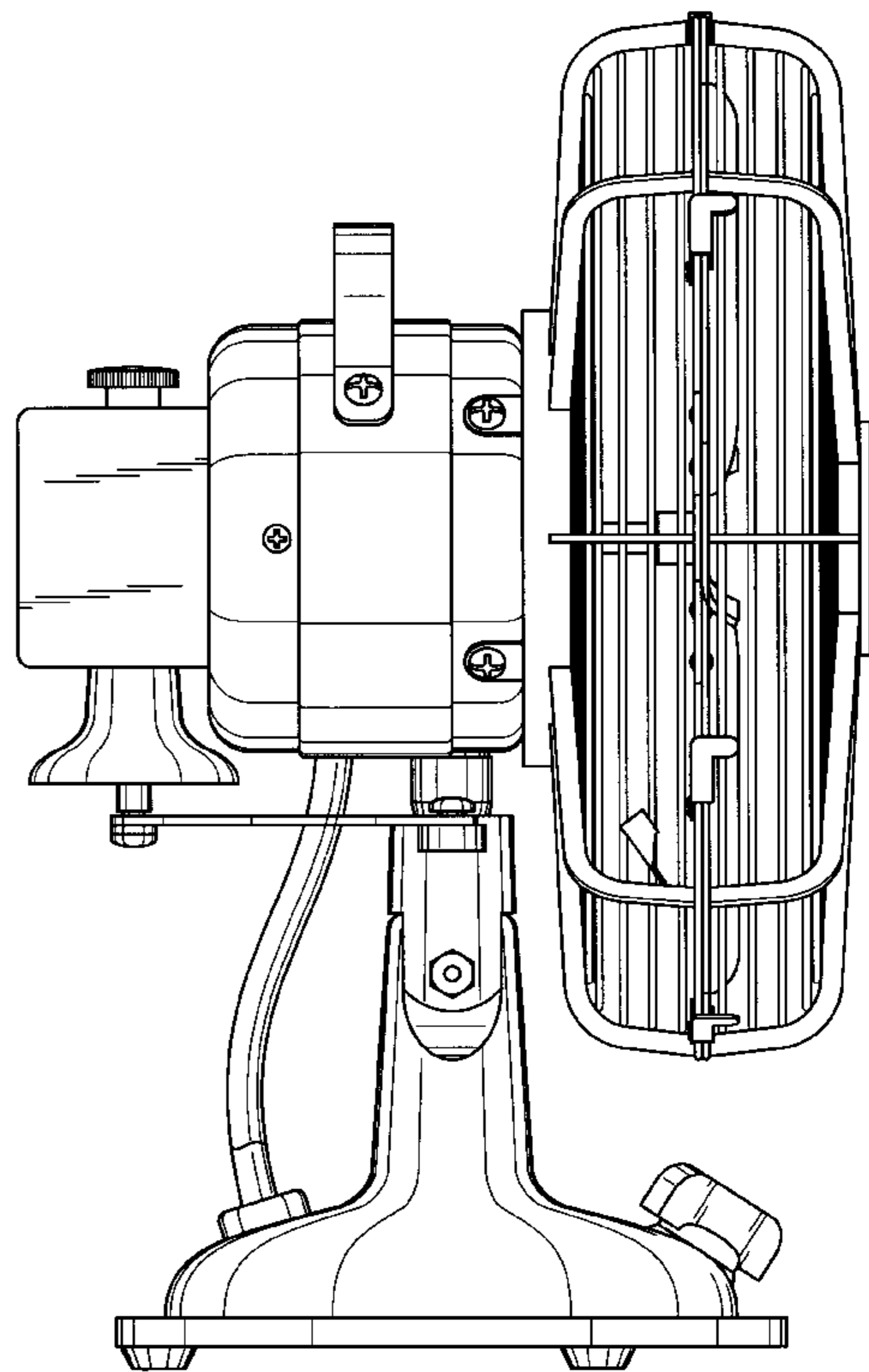
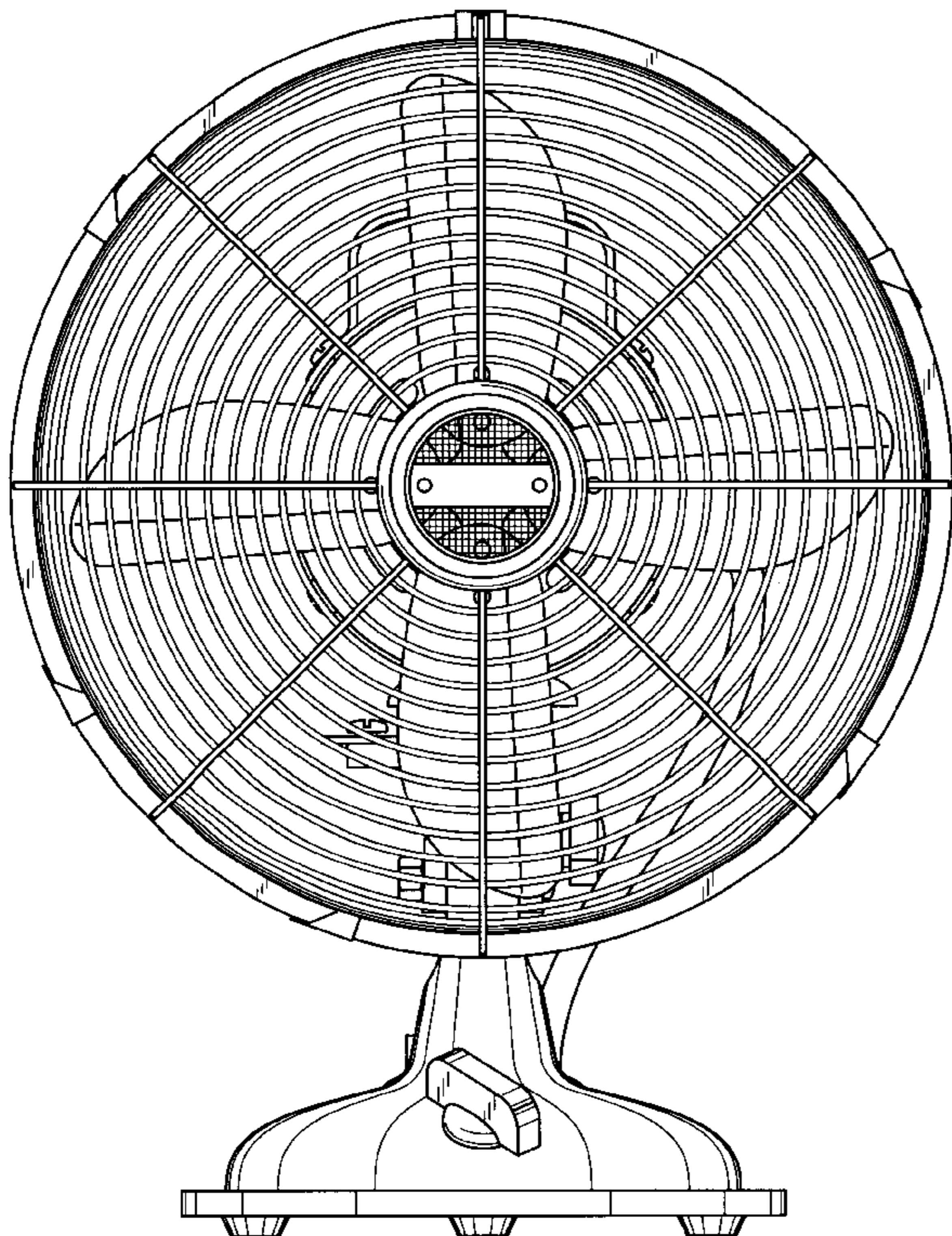
FIG. 5 is a top plan view of the electric fan of FIG. 1; and,

FIG. 6 is a bottom plan view of the electric fan of FIG. 1.

U.S. PATENT DOCUMENTS

D104,064 S * 4/1937 Hamilton D23/382

1 Claim, 6 Drawing Sheets



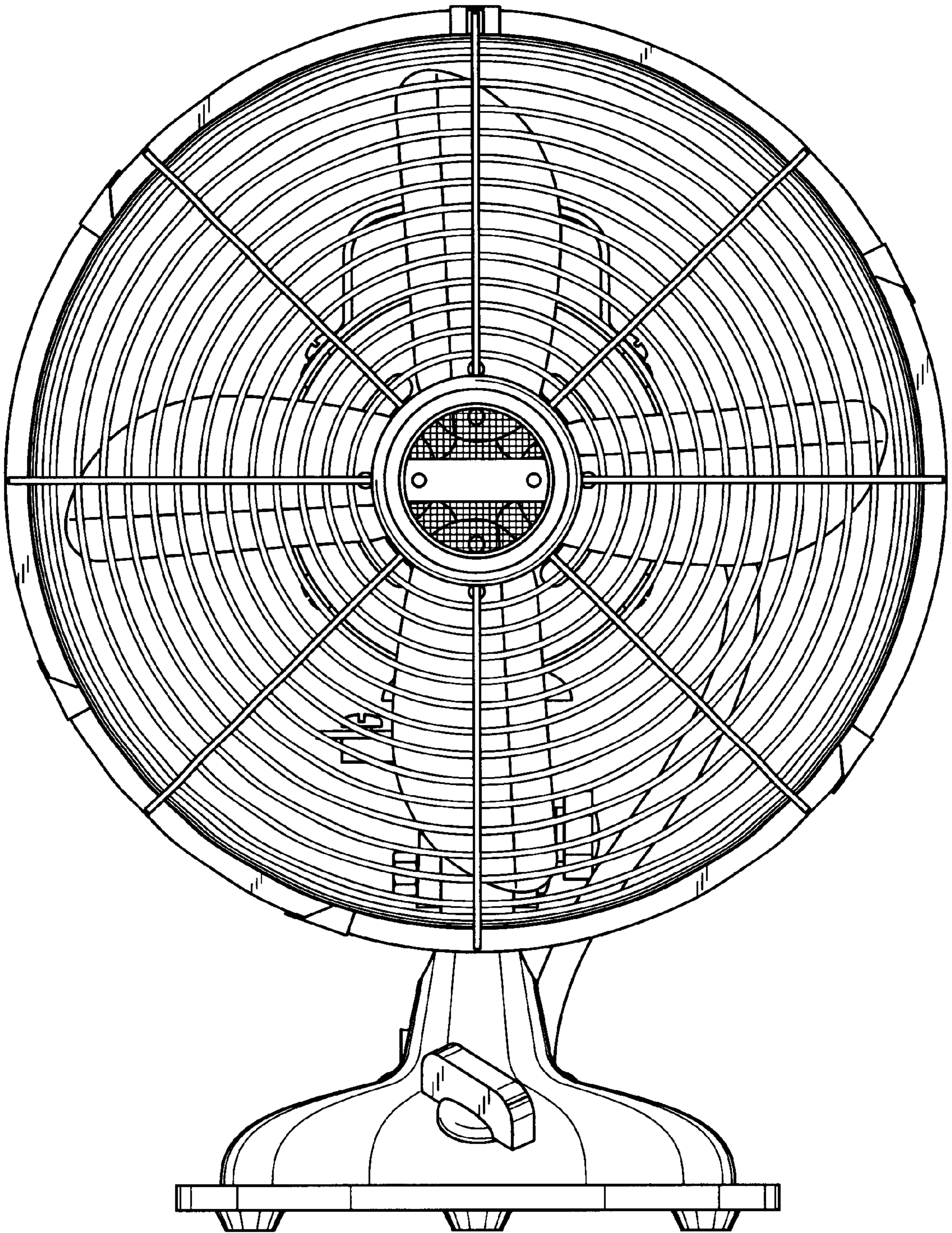


FIG. 1

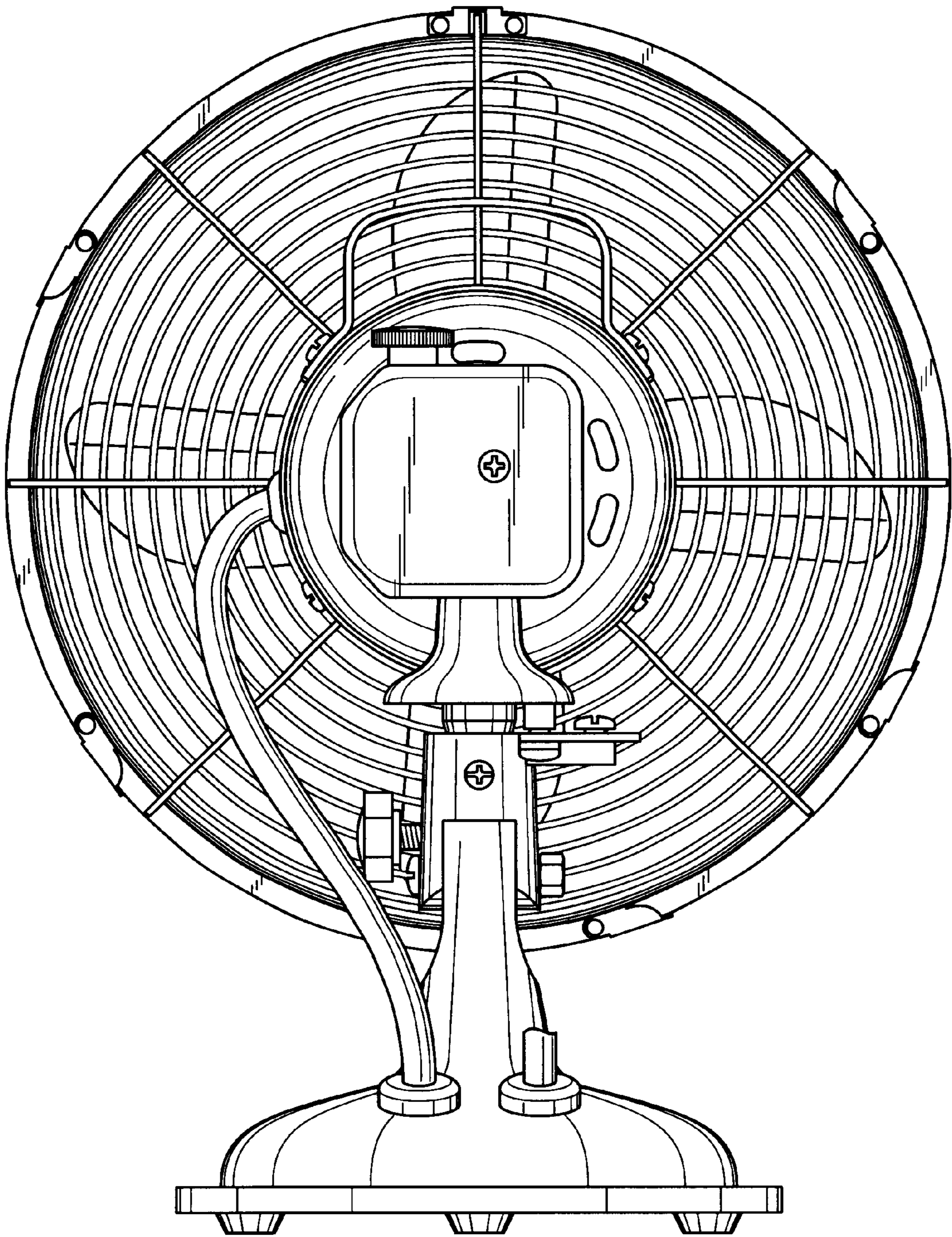


FIG. 2

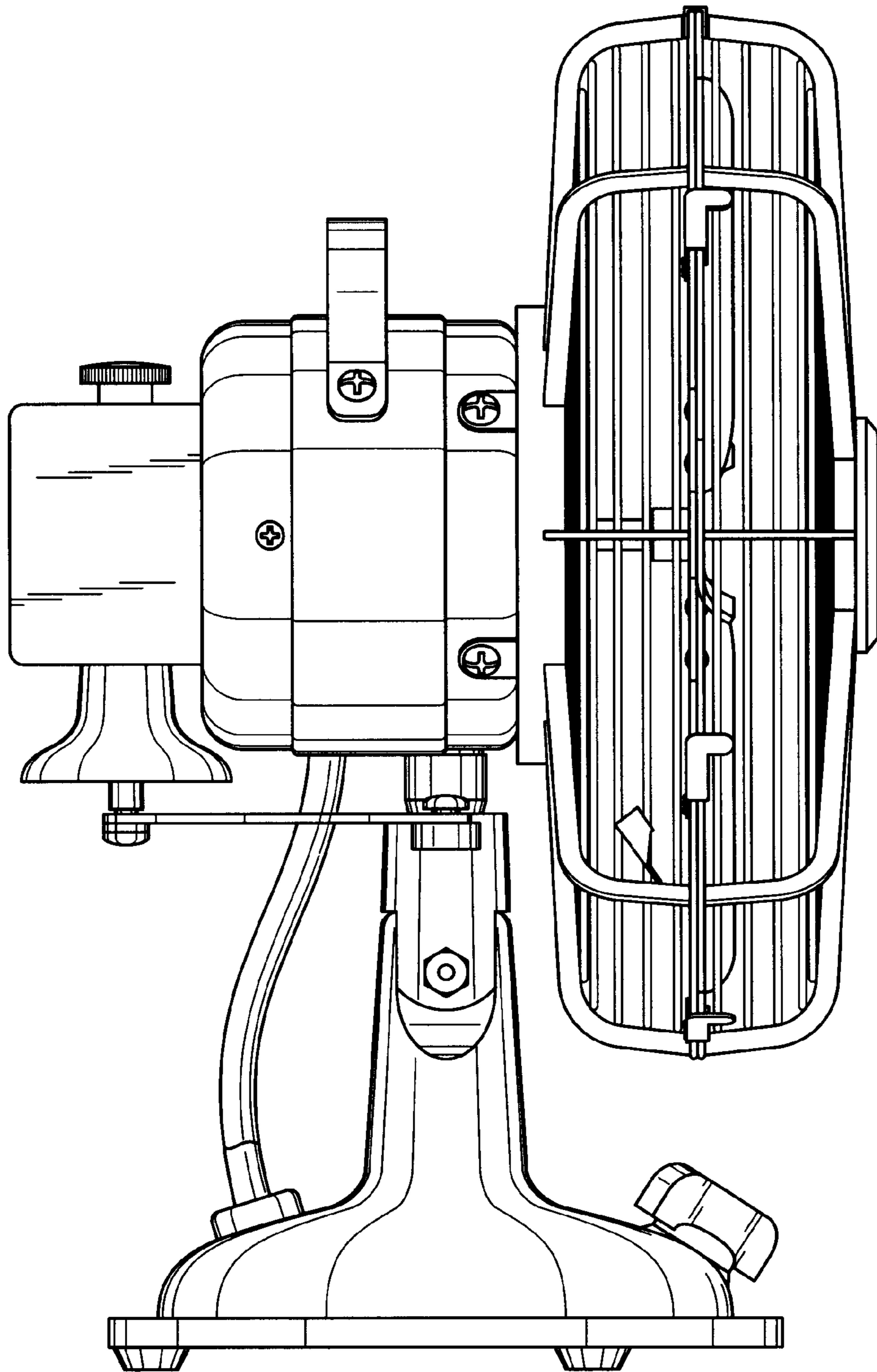


FIG. 3

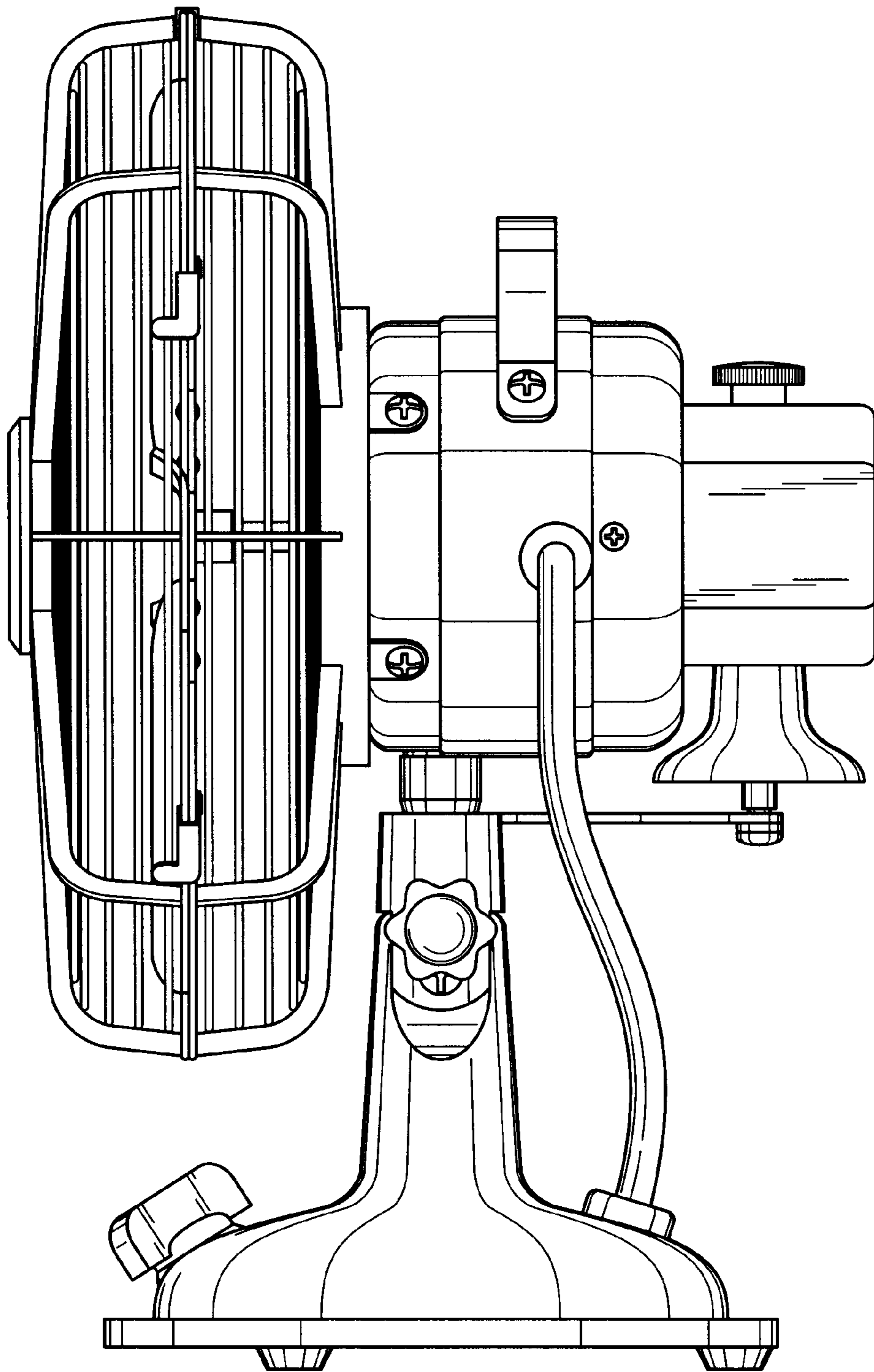


FIG. 4

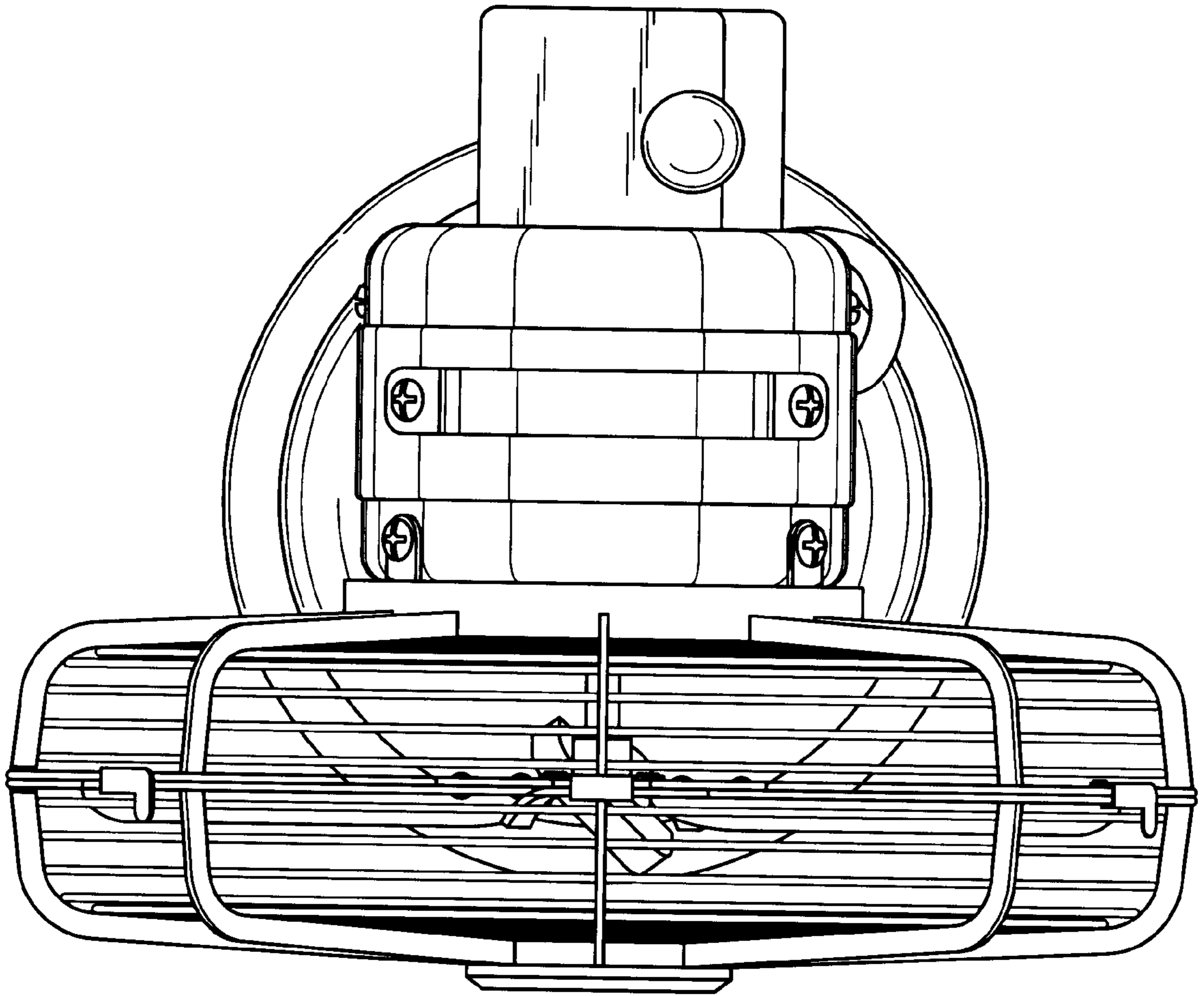


FIG. 5

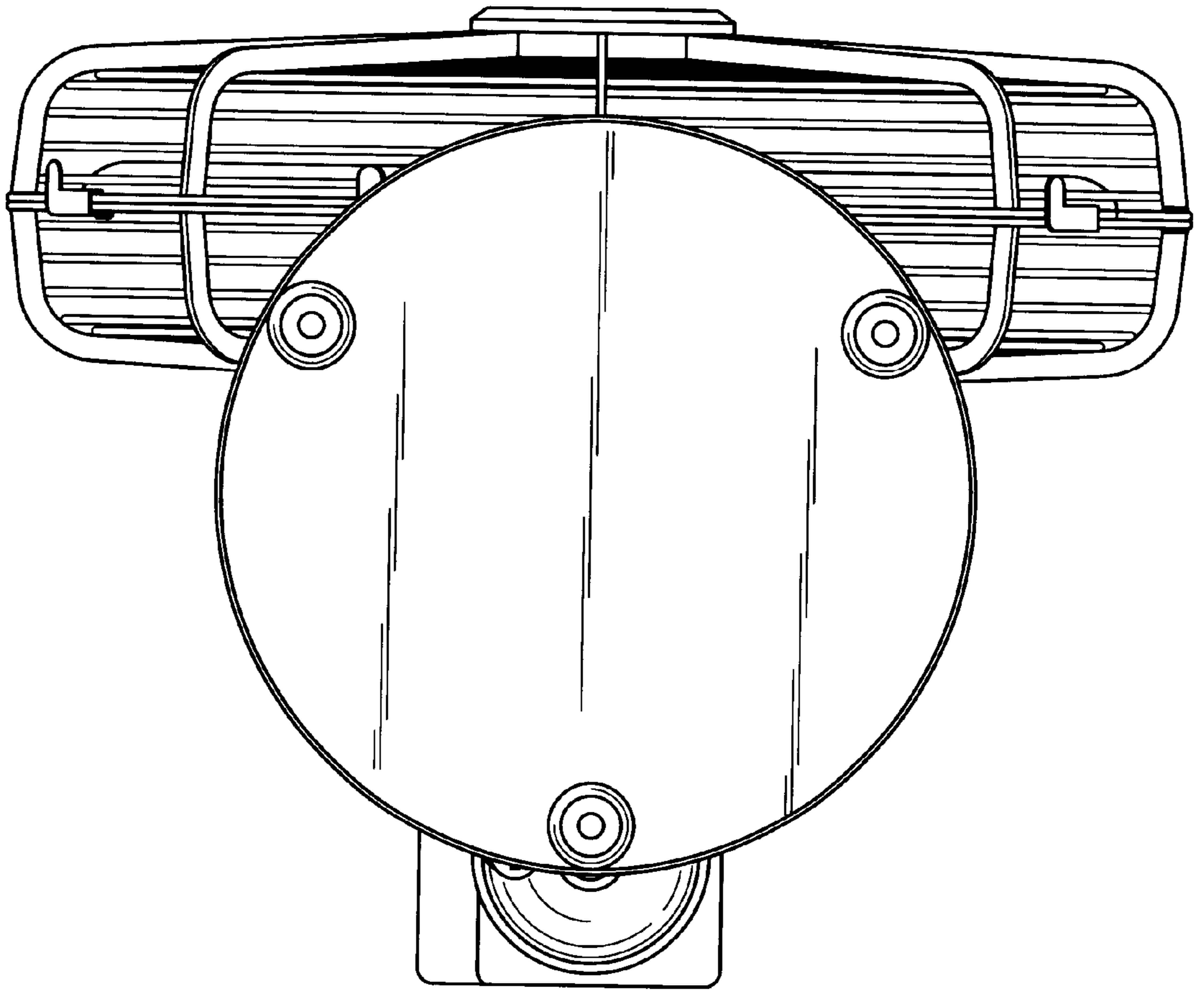


FIG. 6