



US00D483851S

(12) **United States Design Patent**
Fok

(10) **Patent No.:** **US D483,851 S**

(45) **Date of Patent:** **** Dec. 16, 2003**

(54) **ELECTRIC FAN**

D468,414 S * 1/2003 Fok D23/328

(76) Inventor: **Su-Tim Fok**, 175 Rua de Xangai, 15
Andar H, Edif da Associacao Comercial
de Macau (MO)

* cited by examiner

Primary Examiner—Lisa Lichtenstein
(74) *Attorney, Agent, or Firm*—Merchant & Gould, P.C.

(**) Term: **14 Years**

(57) **CLAIM**

(21) Appl. No.: **29/164,231**

The ornamental design for electric fan, as shown and described.

(22) Filed: **Jul. 18, 2002**

(30) **Foreign Application Priority Data**

DESCRIPTION

Apr. 27, 2002 (CN) 02 3 07525

FIG. 1 is a front view of an embodiment of an electric fan in accordance with the principles of my invention;

(51) **LOC (7) Cl.** **23-04**

FIG. 2 is a left view thereof;

(52) **U.S. Cl.** **D23/378**

FIG. 3 is a right view thereof;

(58) **Field of Search** D23/378, 370,
D23/332, 381; 392/365, 367; 415/53.1-53.3;
416/244 R, 247 R

FIG. 4 is a bottom view thereof;

FIG. 5 is a top view thereof;

FIG. 6 is a rear view thereof; and,

FIG. 7 is a front and right side perspective view thereof.

(56) **References Cited**

U.S. PATENT DOCUMENTS

D464,723 S * 10/2002 Fok D23/378

1 Claim, 3 Drawing Sheets

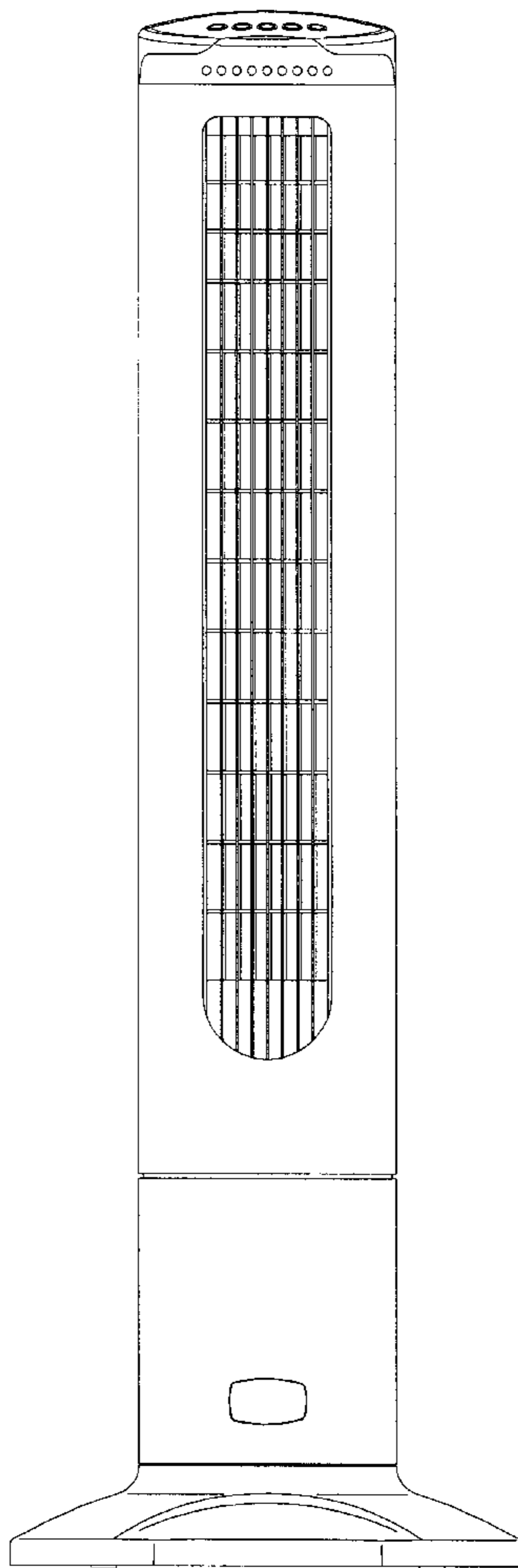


FIG.1

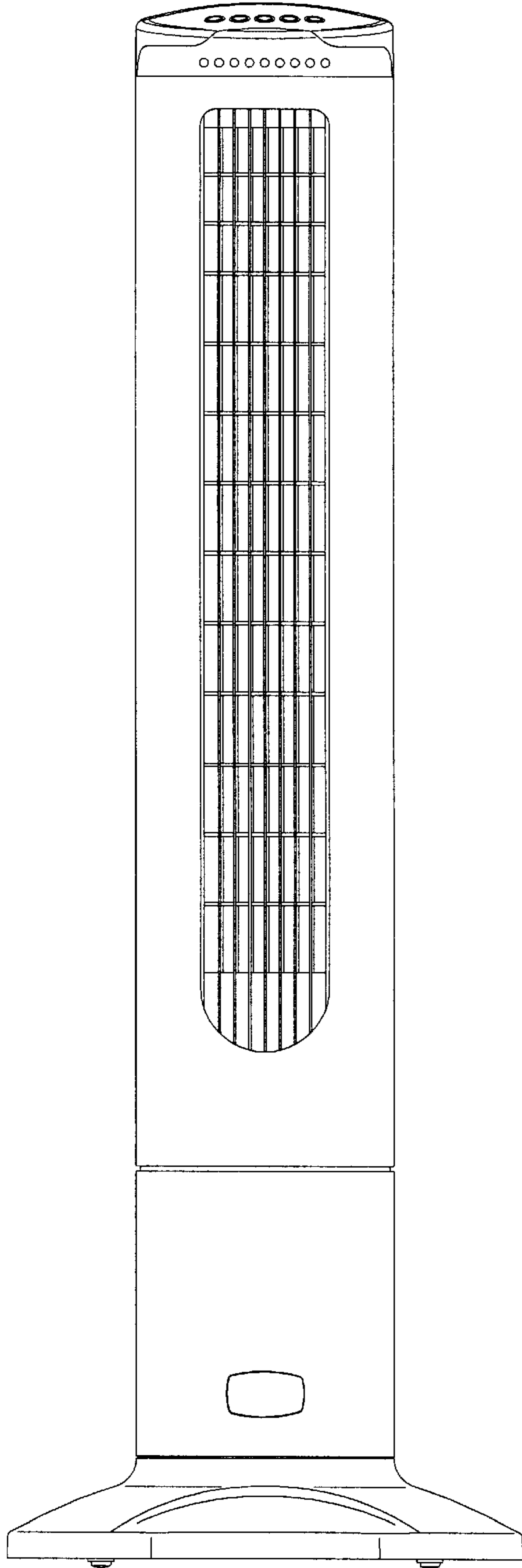


FIG.2

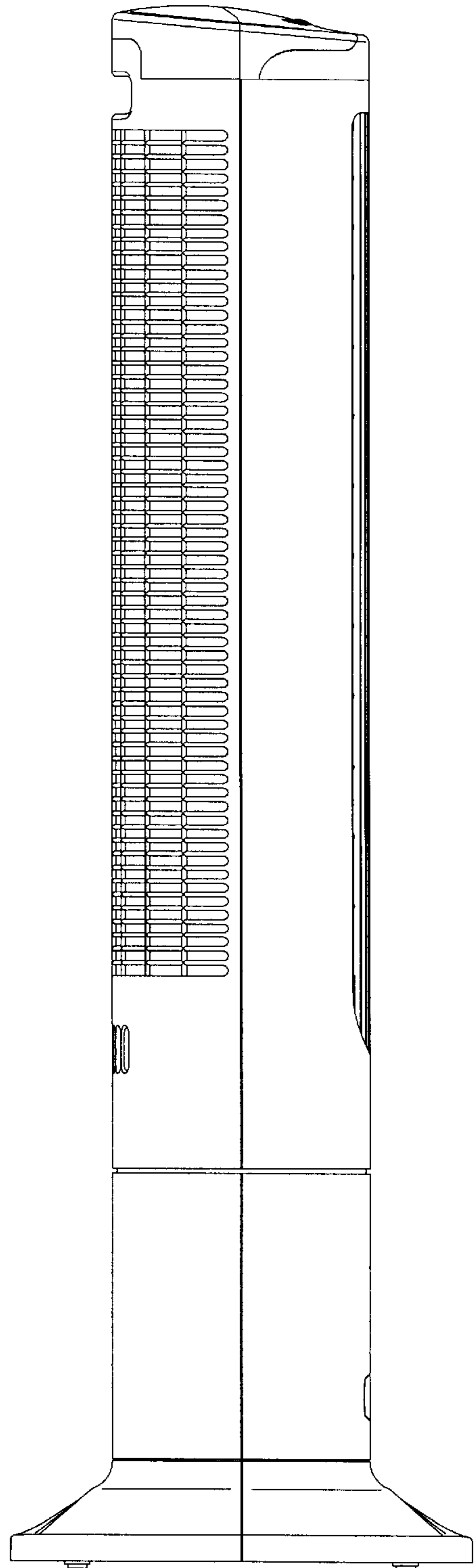


FIG.3

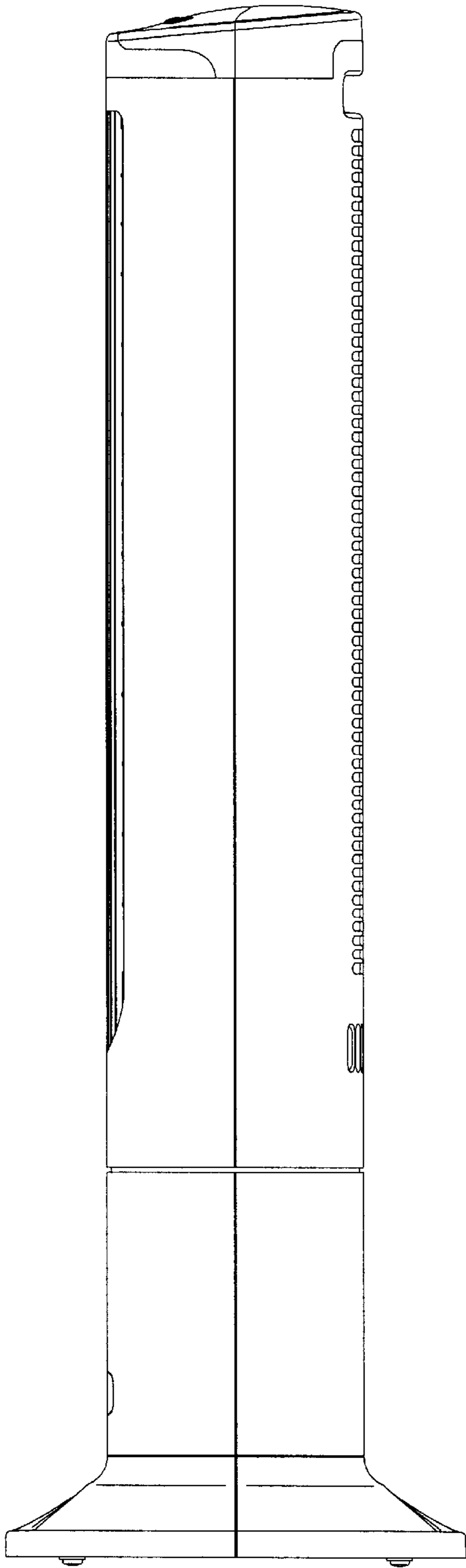


FIG.4

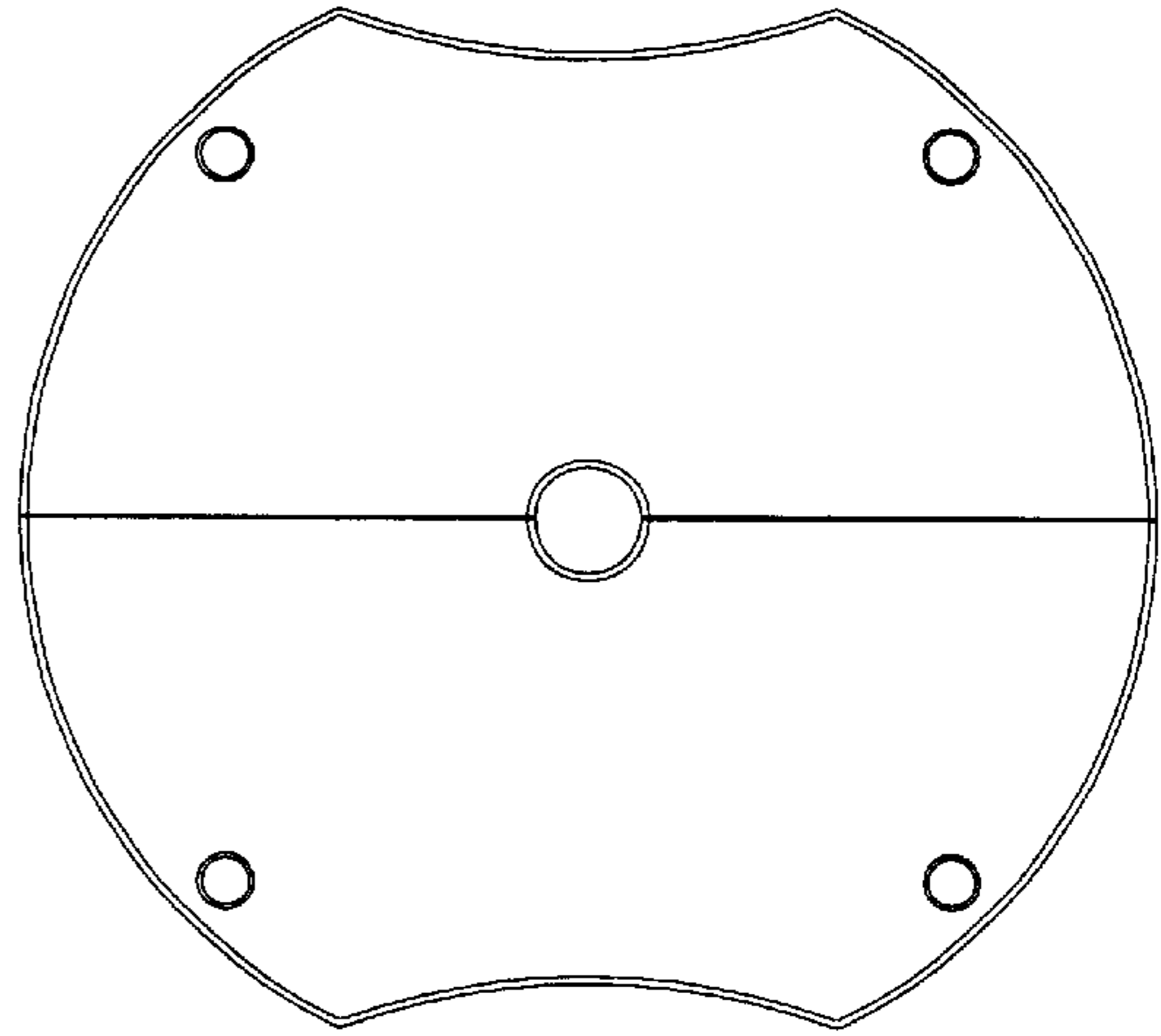


FIG.5

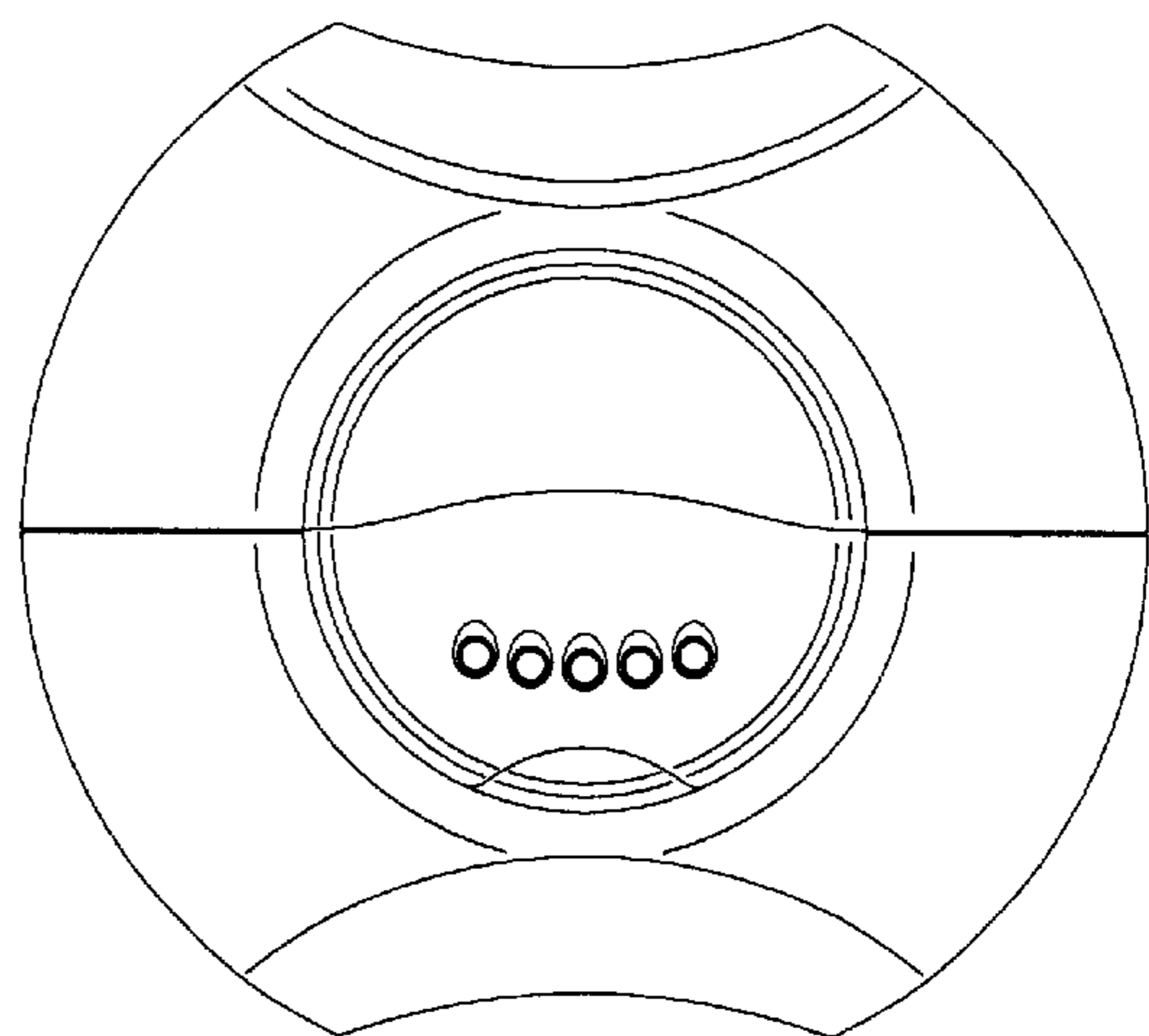


FIG.6

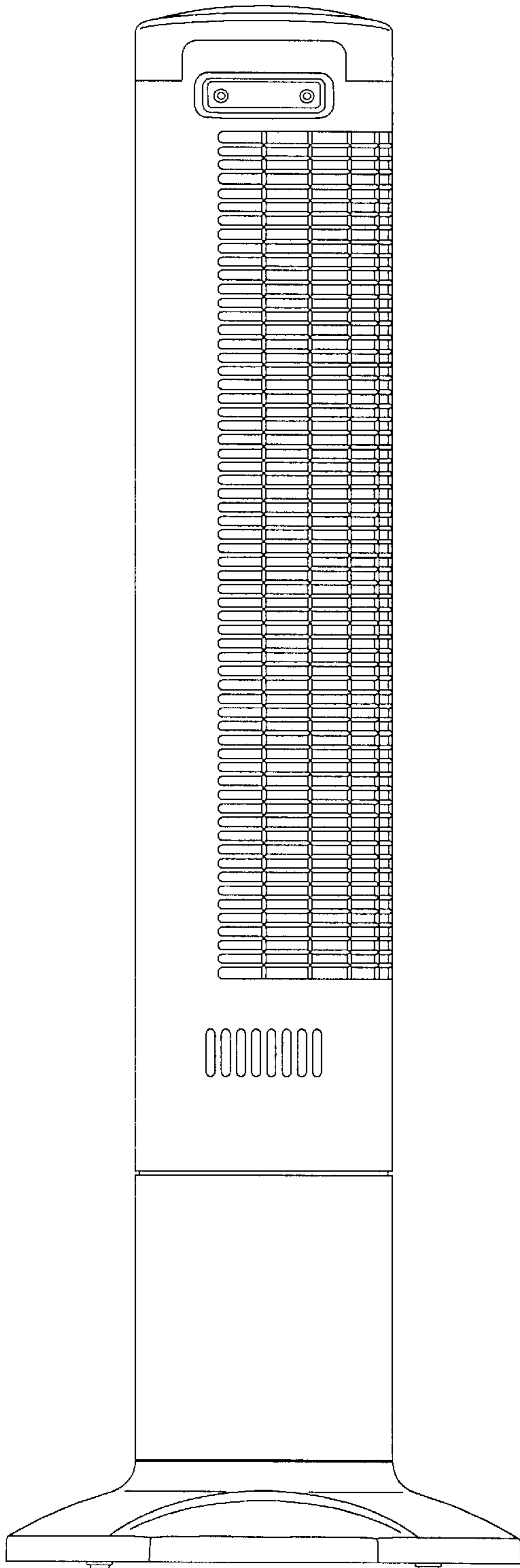


FIG.7

