



US00D483849S

(12) **United States Design Patent**
Tai

(10) **Patent No.:** **US D483,849 S**

(45) **Date of Patent:** **** Dec. 16, 2003**

(54) **COMBINED CEILING FAN AND LIGHT
FIXTURE**

D418,217 S * 12/1999 LaSpina et al. D23/377
D450,830 S * 11/2001 Hidalgo D23/377

(76) Inventor: **Jen-Lung David Tai**, 19507 N. 65th
Ave., Glendale, AZ (US) 85308

* cited by examiner

(**) Term: **14 Years**

Primary Examiner—Lisa Lichtenstein
(74) *Attorney, Agent, or Firm*—Parsons & Goltry; Michael
W. Goltry; Robert A. Parsons

(21) Appl. No.: **29/177,122**

(57) **CLAIM**

(22) Filed: **Mar. 4, 2003**

The ornamental design for a combined ceiling fan and light
fixture, as shown and described.

(51) **LOC (7) Cl.** **23-04**

(52) **U.S. Cl.** **D23/377**

(58) **Field of Search** D23/377, 379,
D23/385, 411, 413; 416/5; D26/59, 81-88,
72

DESCRIPTION

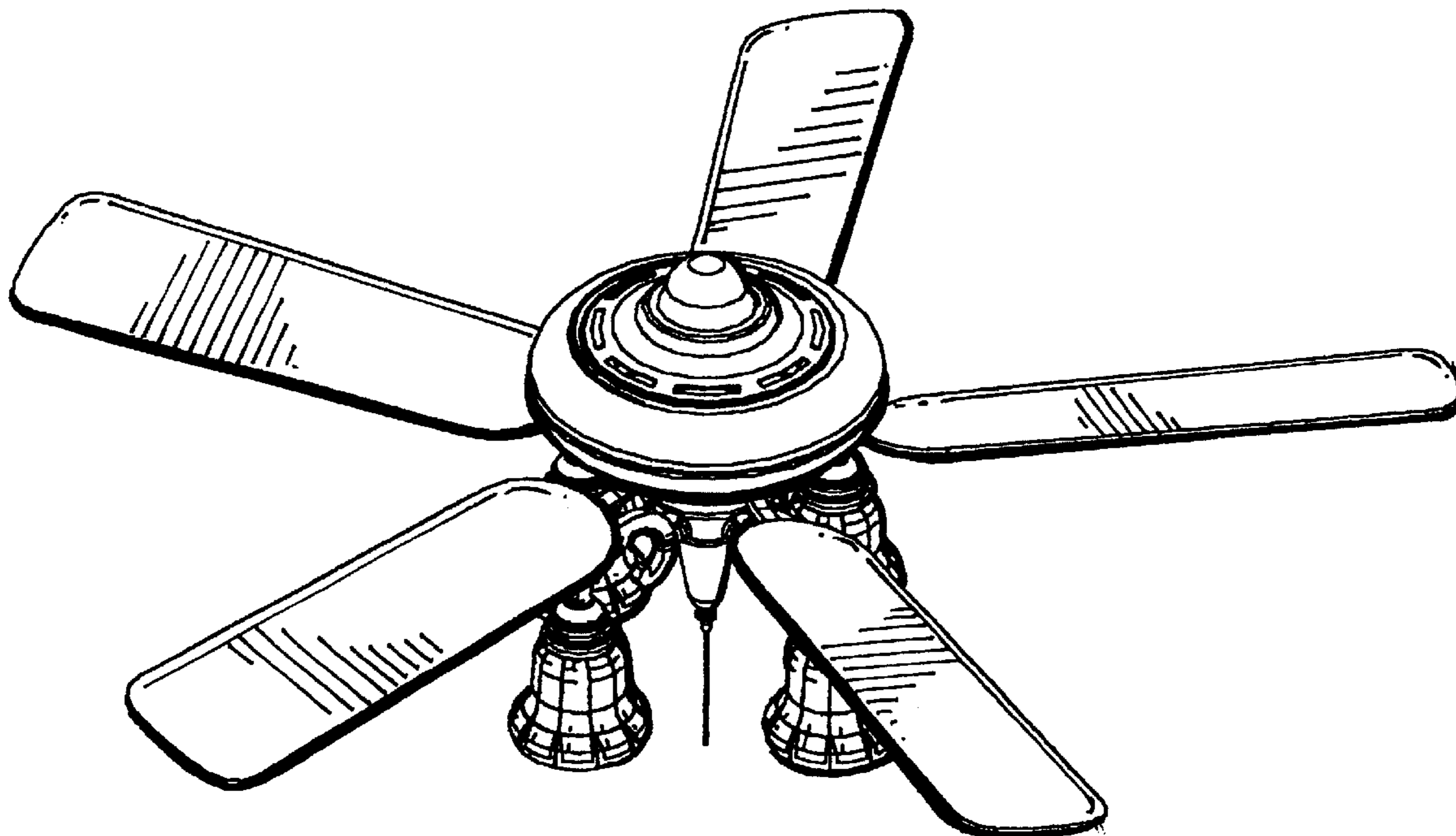
FIG. 1 is a perspective view of a combined ceiling fan and
light fixture showing my new design;
FIG. 2 is a front elevation view thereof, the other sides being
substantially identical except for the position of the blades
and the light fixture;
FIG. 3 is a top plan view thereof; and,
FIG. 4 is a bottom plan view thereof.

(56) **References Cited**

U.S. PATENT DOCUMENTS

D376,421 S * 12/1996 Jaspers-Fayer D23/377
D382,954 S * 8/1997 Liu D23/377

1 Claim, 3 Drawing Sheets



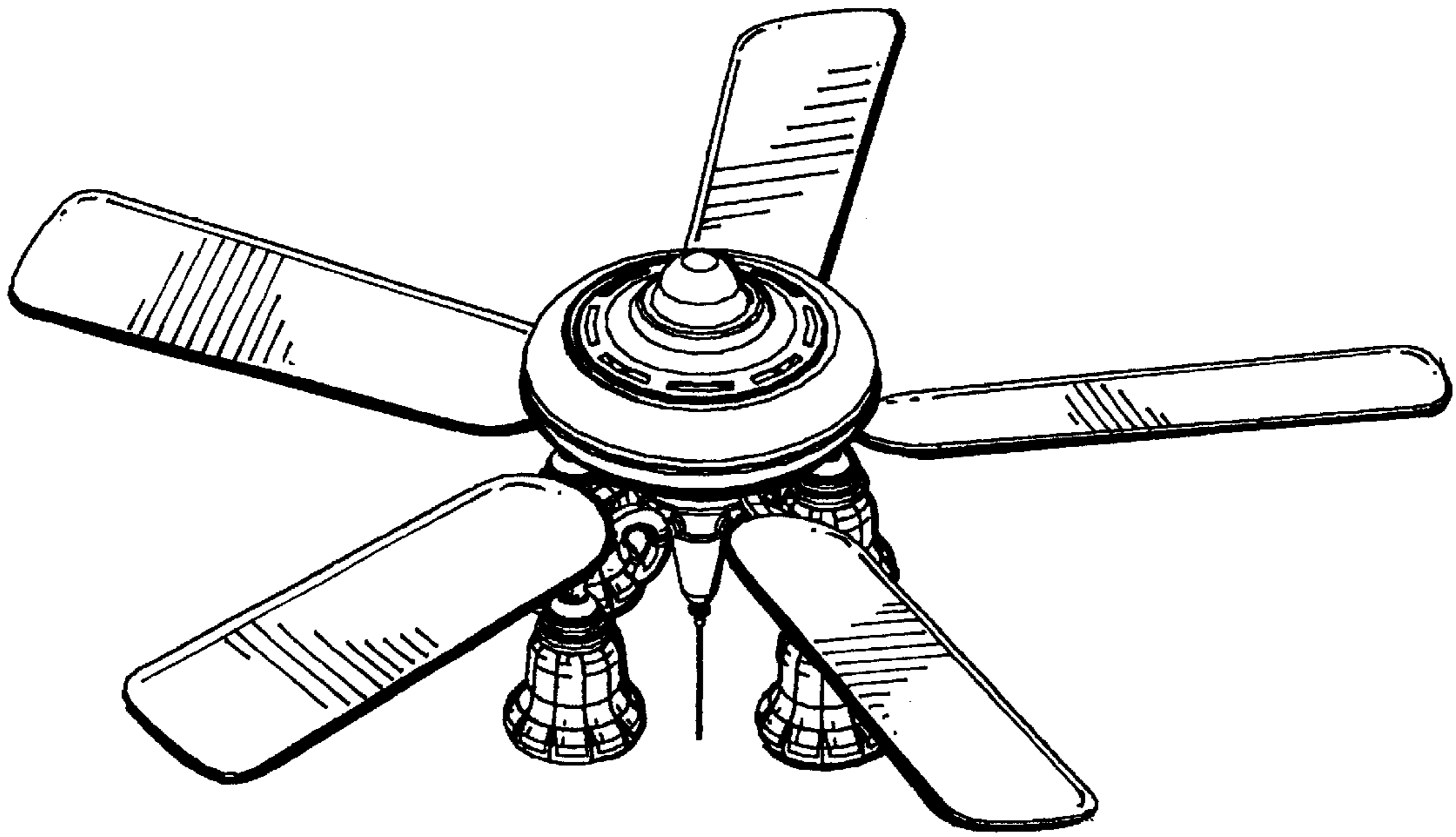


FIG. 1

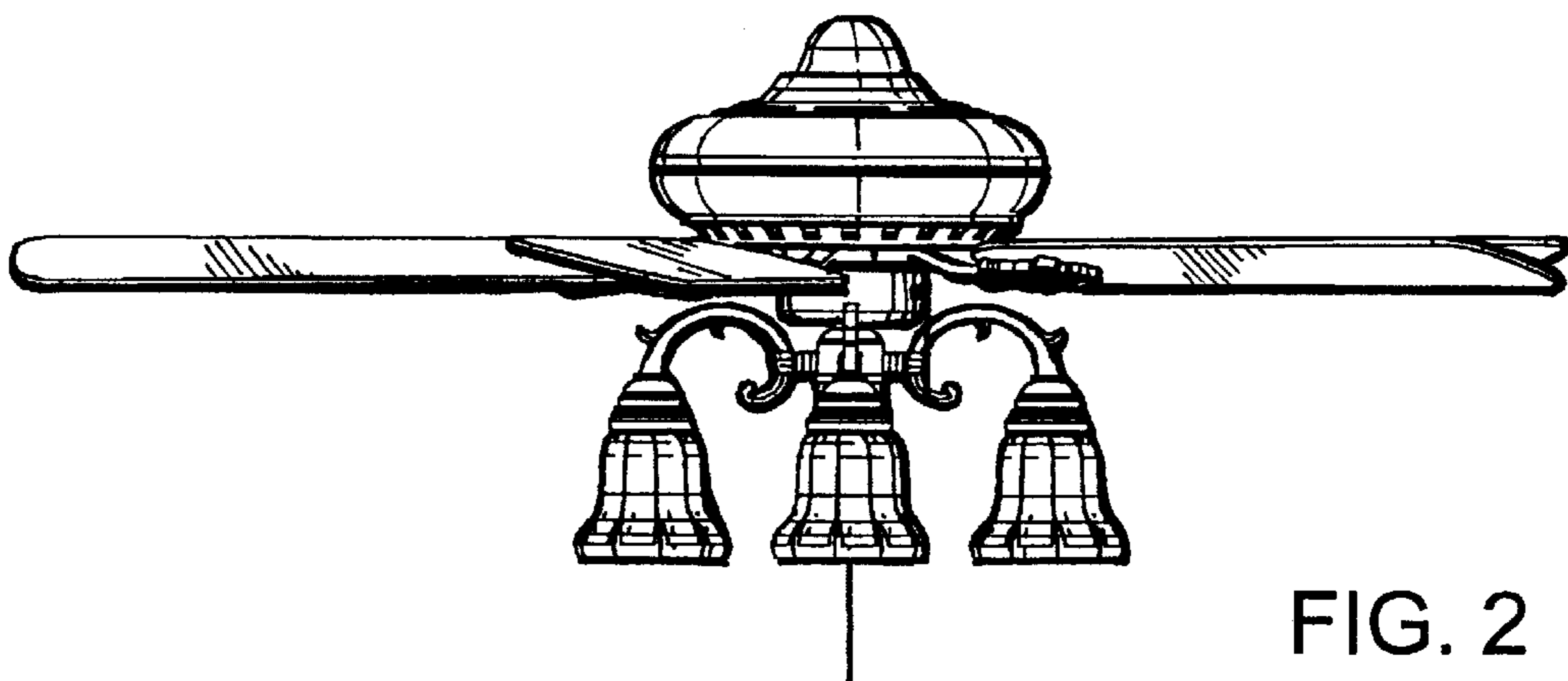


FIG. 2

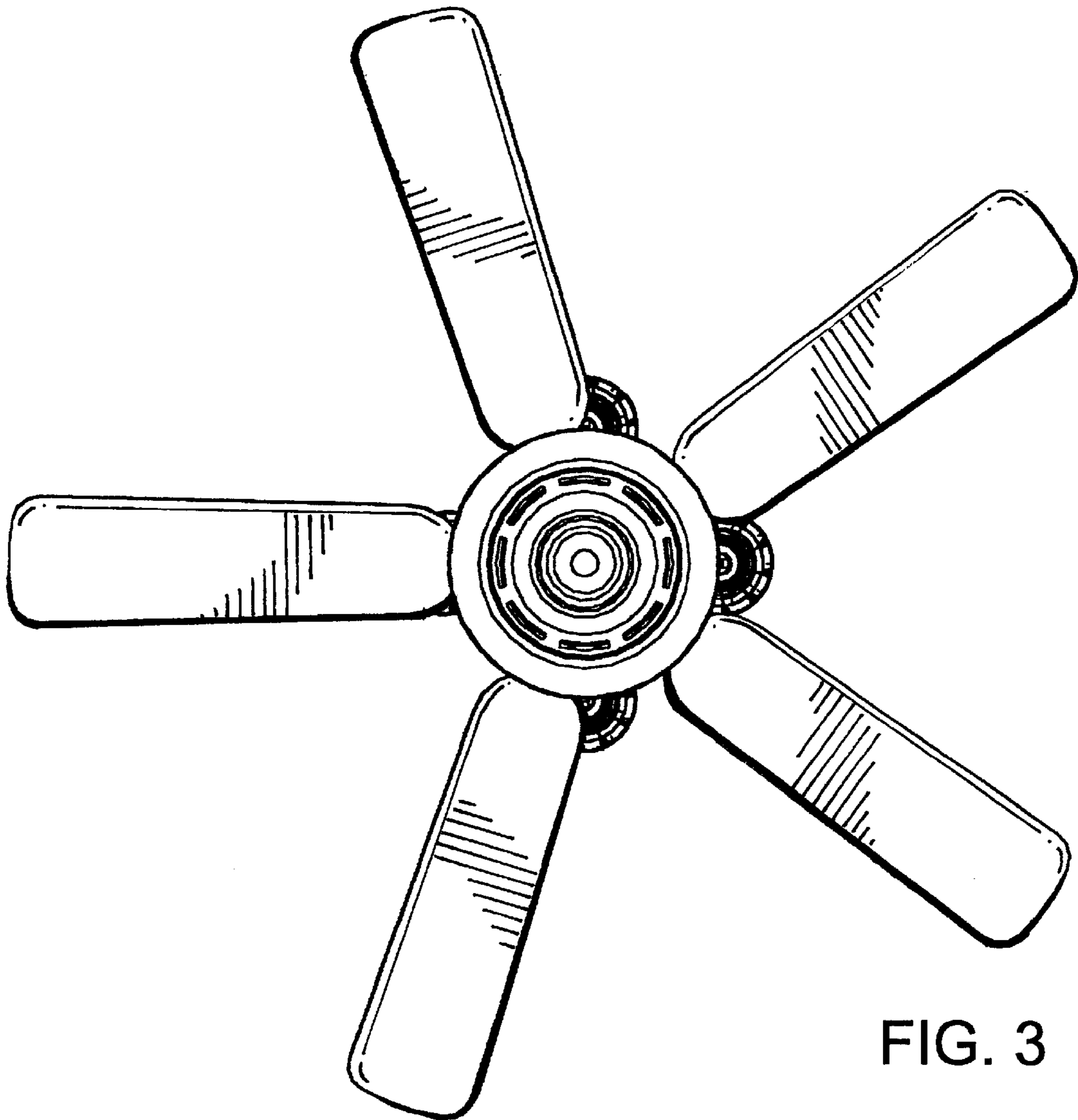


FIG. 3

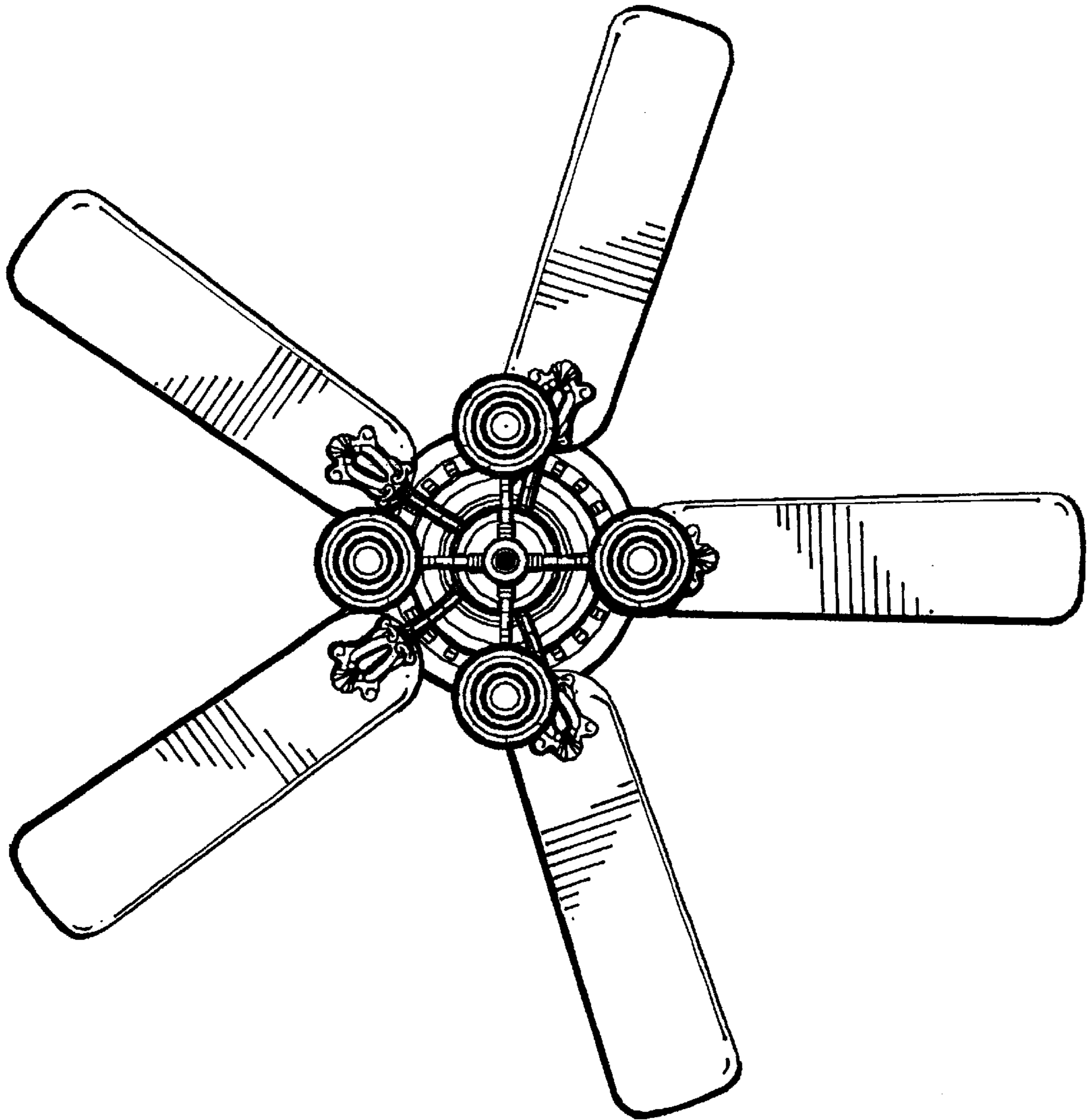


FIG. 4