



US00D483847S

(12) **United States Design Patent**
Tai

(10) **Patent No.:** **US D483,847 S**

(45) **Date of Patent:** **** Dec. 16, 2003**

(54) **CEILING FAN**

D476,408 S * 6/2003 Hidalgo D23/411

(76) Inventor: **Jen-Lung David Tai**, 19507 N. 65th
Ave., Glendale, AZ (US) 85308

* cited by examiner

(**) Term: **14 Years**

Primary Examiner—Lisa Lichtenstein
(74) *Attorney, Agent, or Firm*—Parsons&Goltry; Michael
W. Goltry; Robert A. Parsons

(21) Appl. No.: **29/177,105**

(57) **CLAIM**

(22) Filed: **Mar. 4, 2003**

The ornamental design for a ceiling fan, as shown and
described.

(51) **LOC (7) Cl.** **23-04**

(52) **U.S. Cl.** **D23/377**

(58) **Field of Search** D23/377, 379,
D23/385, 411, 413; 416/5; 392/364

DESCRIPTION

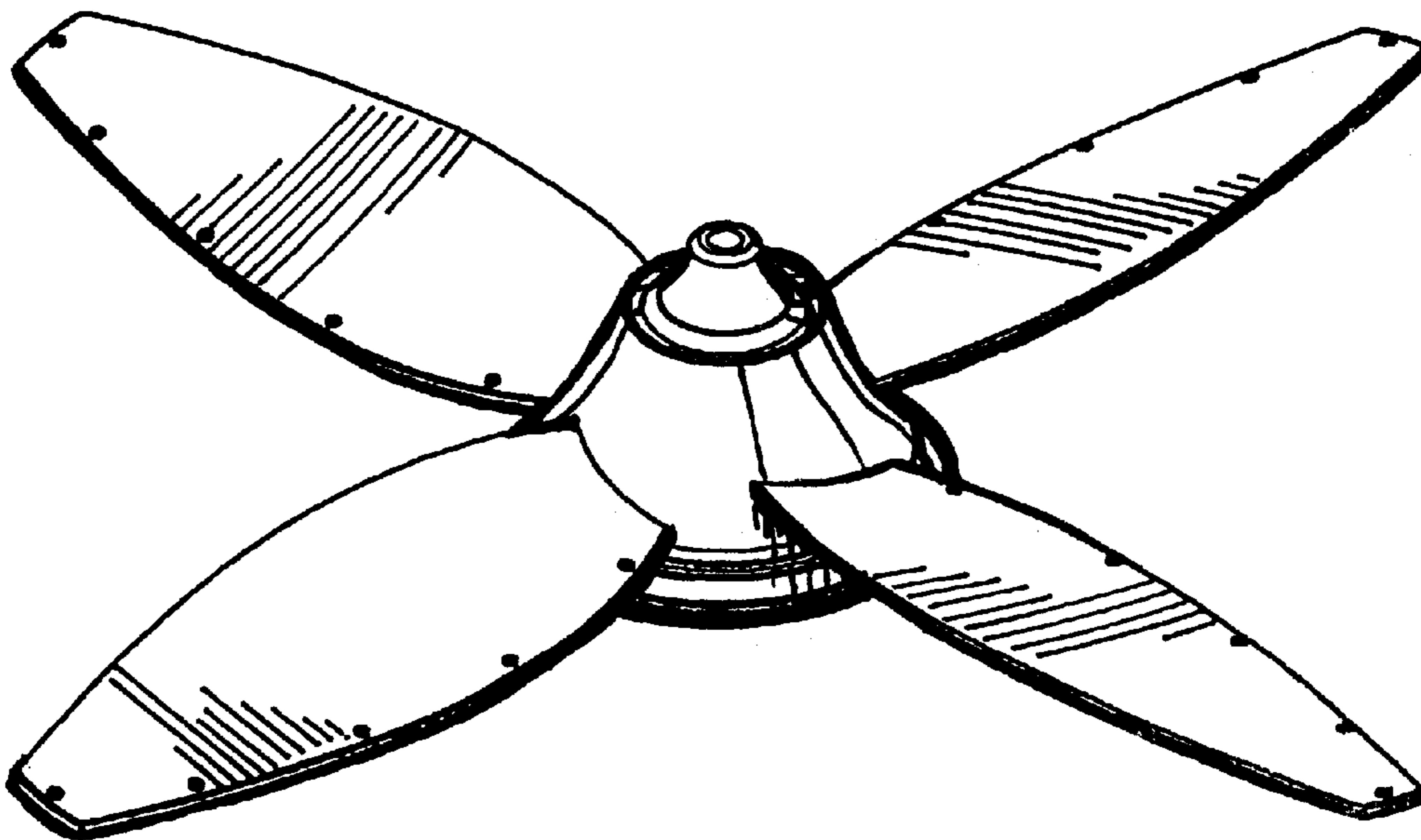
(56) **References Cited**

U.S. PATENT DOCUMENTS

D356,152 S * 3/1995 Collmar D23/377
D451,995 S * 12/2001 Liu D23/411

FIG. 1 is a perspective view of a ceiling fan showing my new
design;
FIG. 2 is a front elevation view thereof;
FIG. 3 is a top plan view thereof;
FIG. 4 is a rear elevation view thereof; and,
FIG. 5 is a bottom plan view thereof.

1 Claim, 3 Drawing Sheets



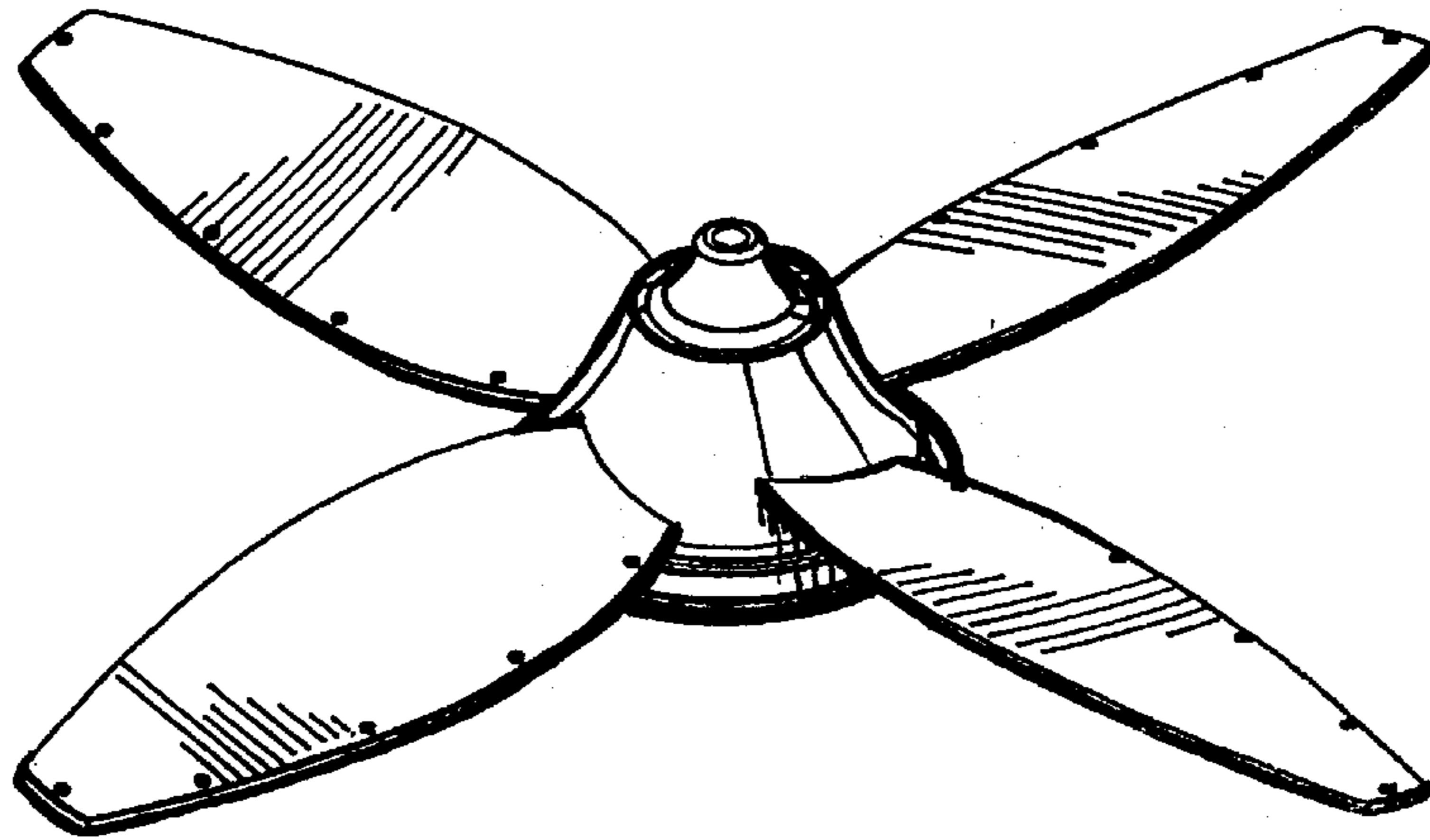


FIG. 1

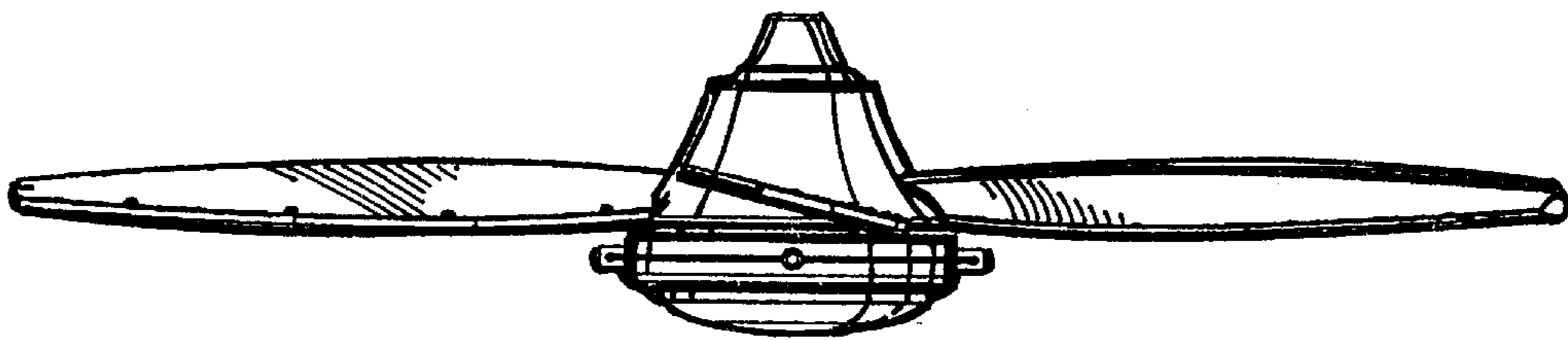


FIG. 2

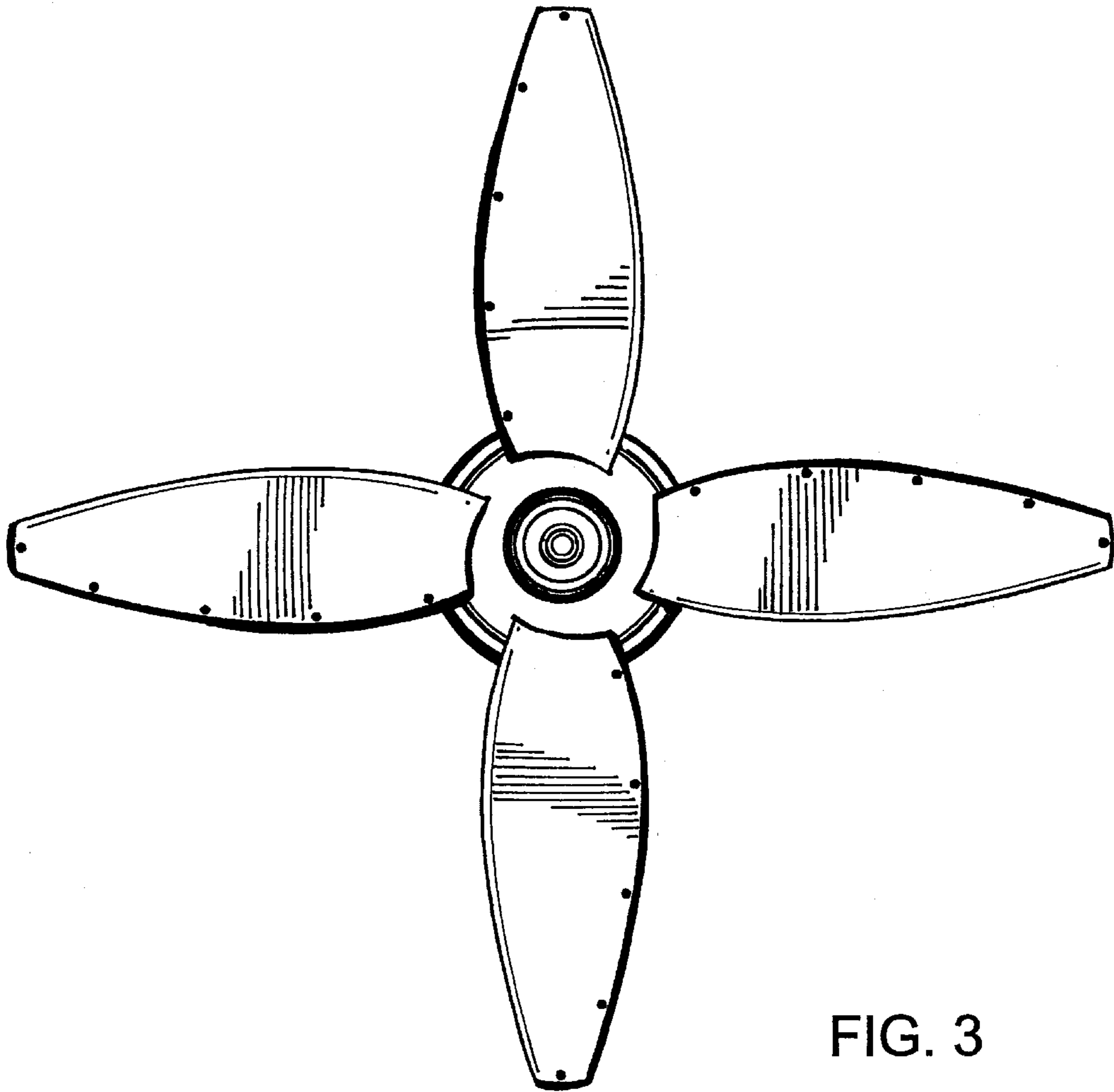


FIG. 3

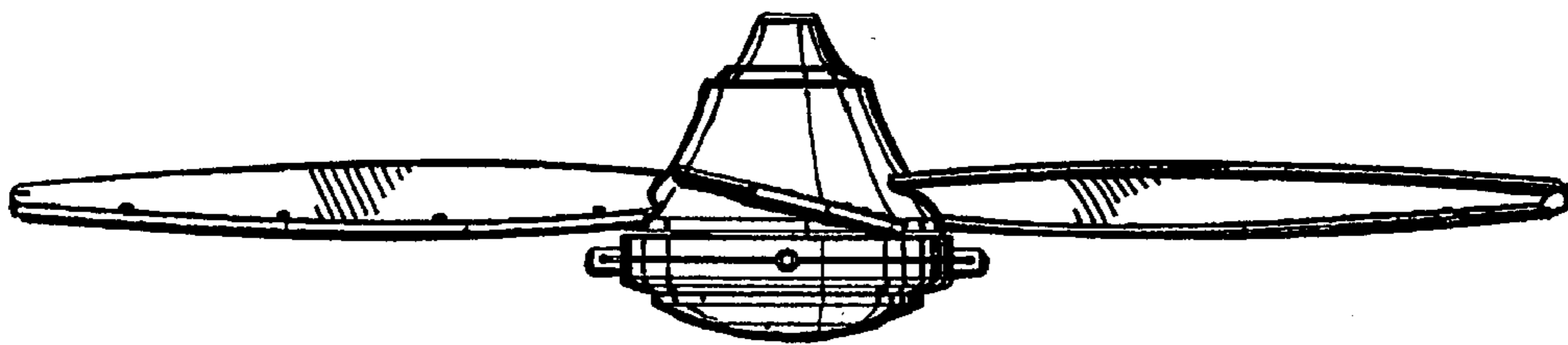


FIG. 4

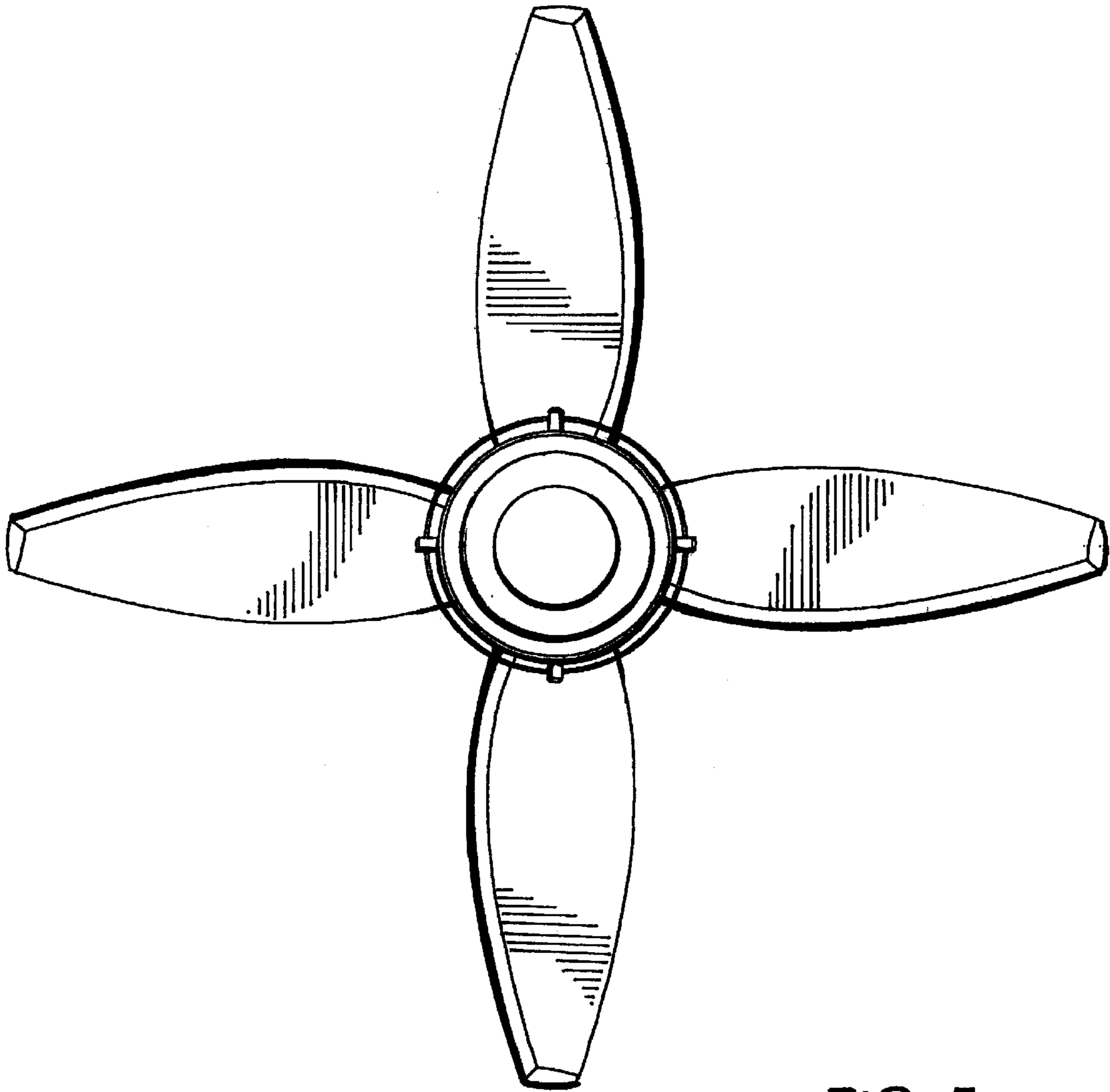


FIG. 5