



US00D483846S

(12) **United States Design Patent**
Kudo

(10) **Patent No.:** **US D483,846 S**

(45) **Date of Patent:** **** Dec. 16, 2003**

(54) **BLOWER UNIT**

(75) Inventor: **Hiroshi Kudo**, Kanagawa-ken (JP)

(73) Assignee: **Fuji Industrial Co., Ltd.**,
Kanagawa-ken (JP)

(**) Term: **14 Years**

(21) Appl. No.: **29/176,074**

(22) Filed: **Feb. 19, 2003**

(51) **LOC (7) Cl.** **23-04**

(52) **U.S. Cl.** **D23/372**

(58) **Field of Search** **D23/372, 383;**
126/299 D, 299 R

(56) **References Cited**

U.S. PATENT DOCUMENTS

D318,111 S * 7/1991 Galassi D23/372
6,354,287 B1 3/2002 Kudoh 126/299 R

* cited by examiner

Primary Examiner—Lisa Lichtenstein
(74) *Attorney, Agent, or Firm*—Greenblum & Bernstein,
P.L.C.

(57) **CLAIM**

I claim the ornamental design for a blower unit, as shown and described.

DESCRIPTION

FIG. 1 is a front elevational view of an embodiment of a blower unit, showing my new design;
FIG. 2 is a rear elevational view of the embodiment of FIG. 1;
FIG. 3 is a top plan view of the embodiment of FIG. 1;
FIG. 4 is a right side elevational view of the embodiment of FIG. 1, the opposite side being a mirror image of that shown; and,
FIG. 5 is a perspective view of the embodiment of FIG. 1. The bottom is flat and unornamented.

1 Claim, 3 Drawing Sheets

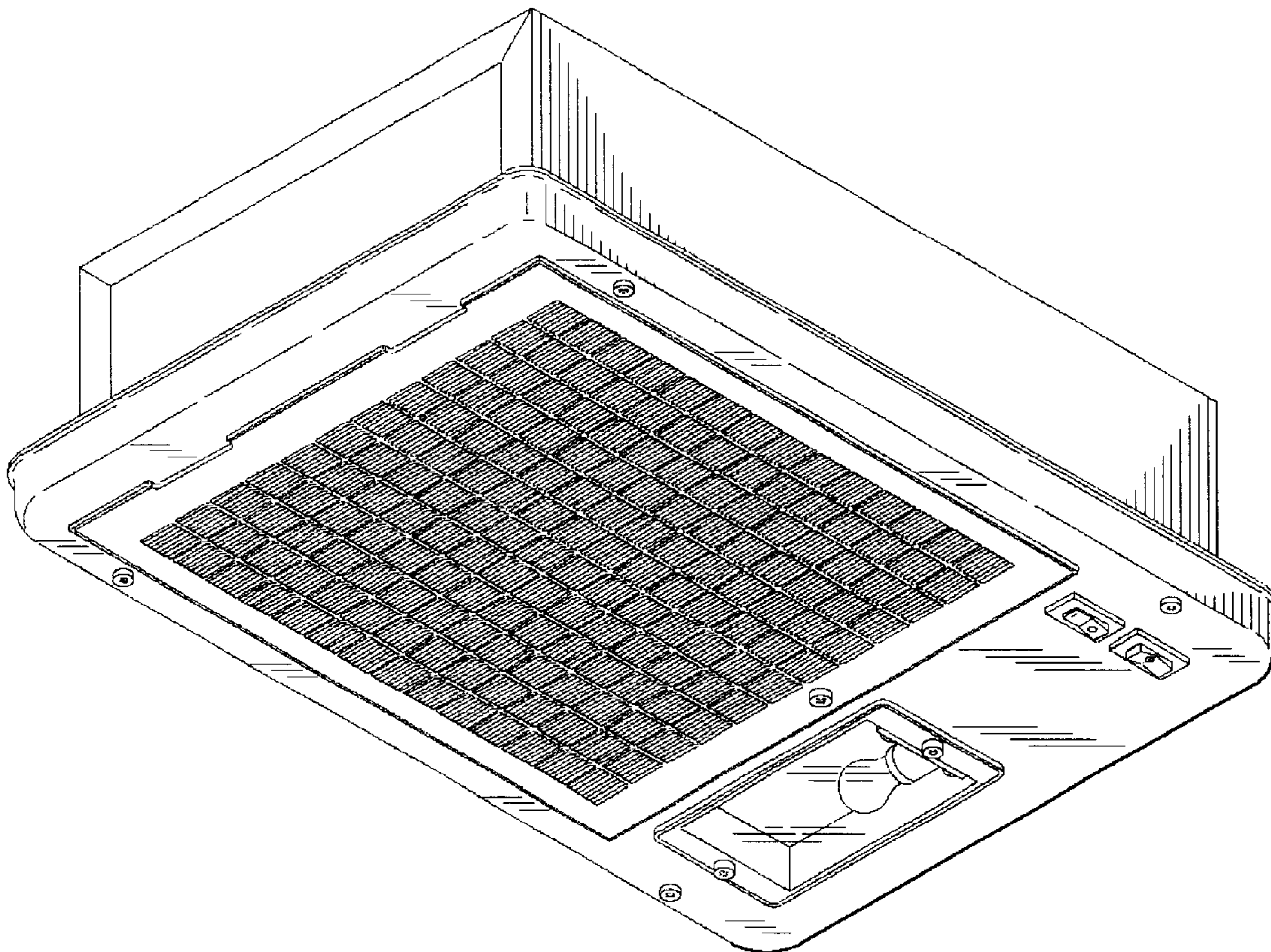


FIG .1

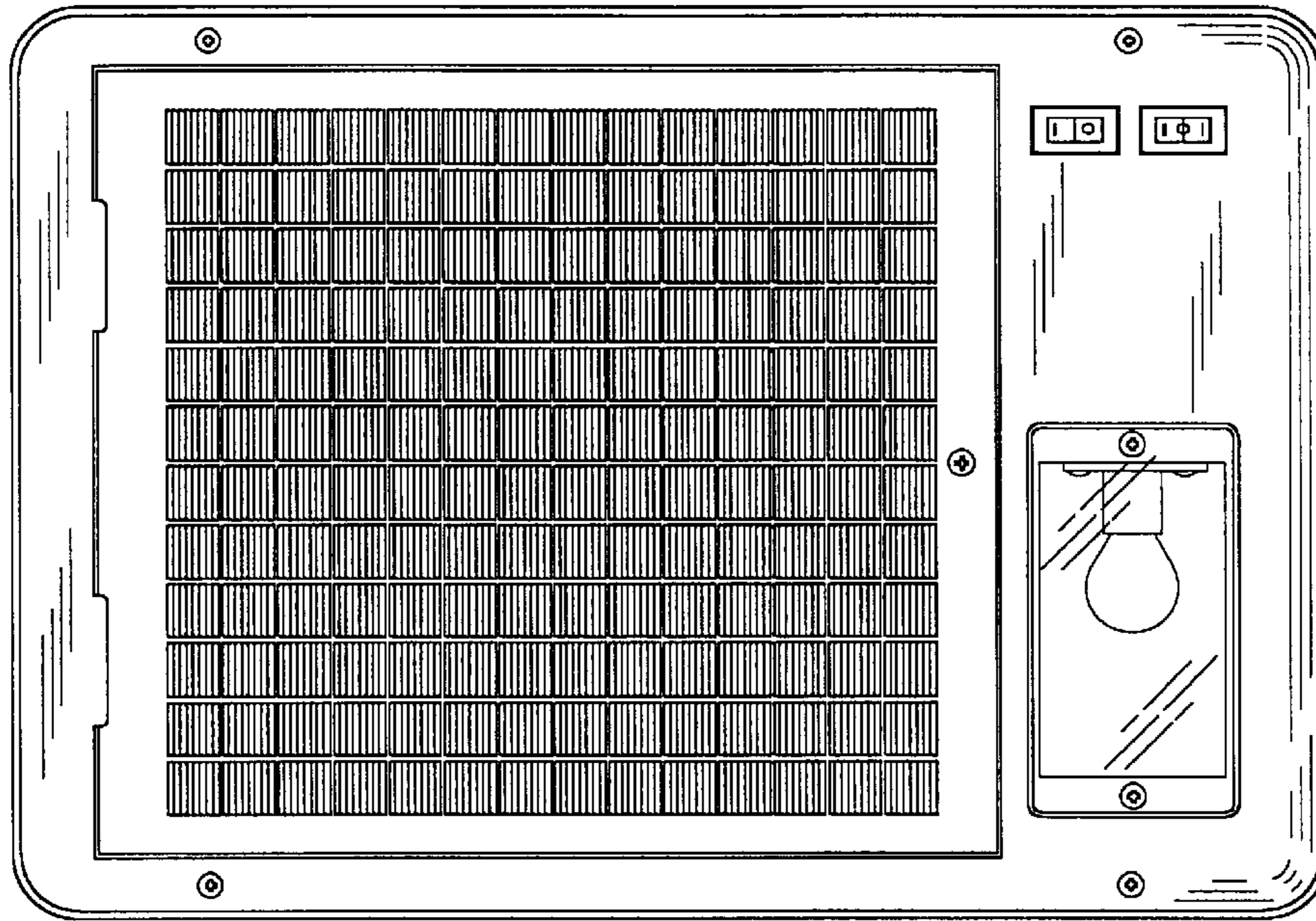


FIG .2

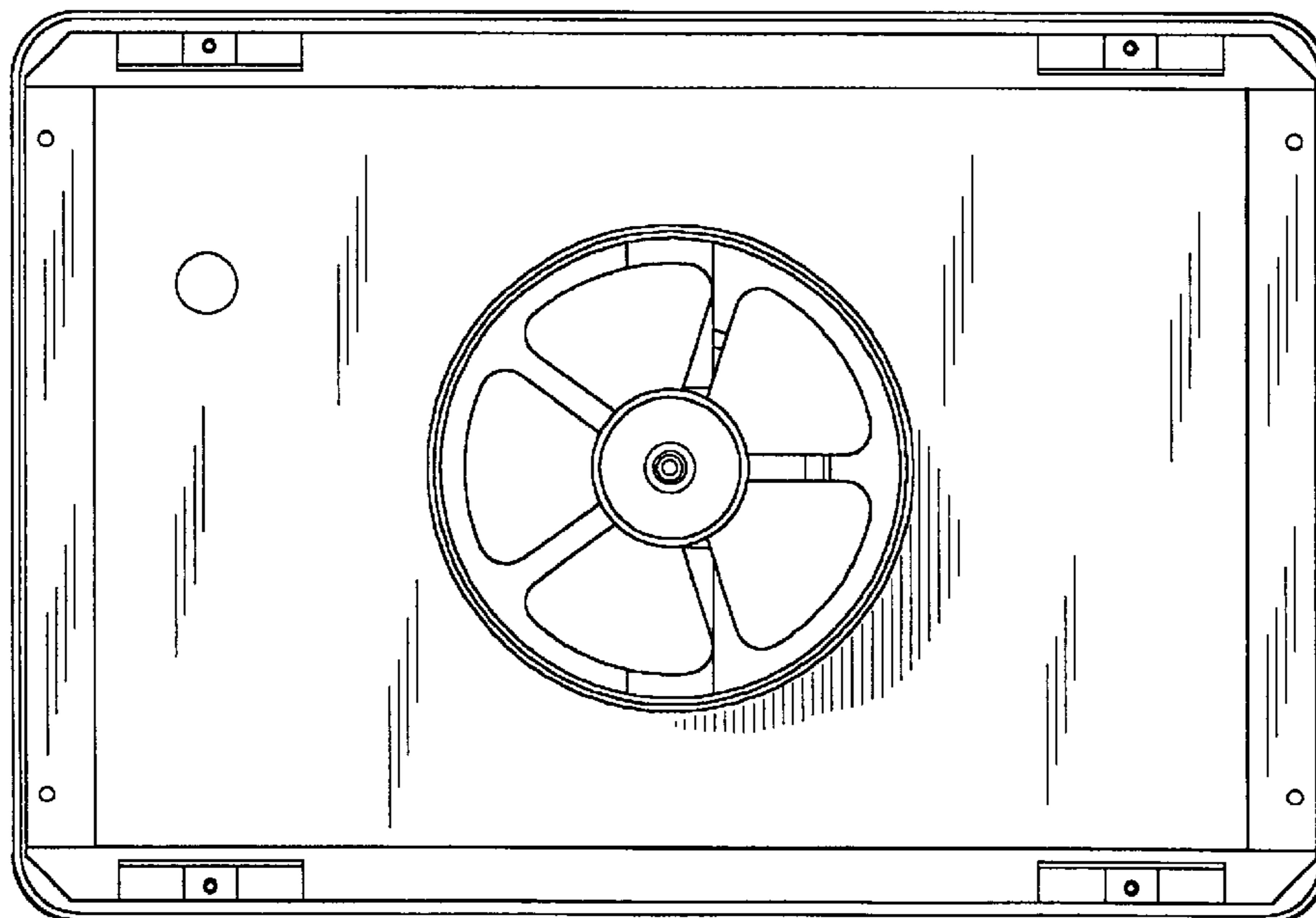


FIG. 3

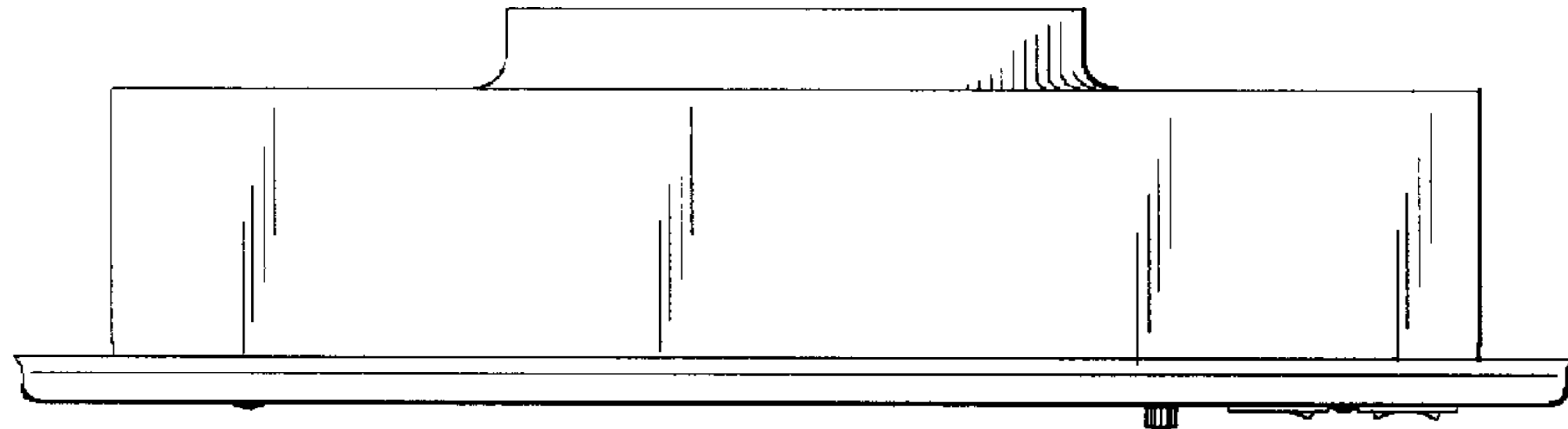


FIG. 4

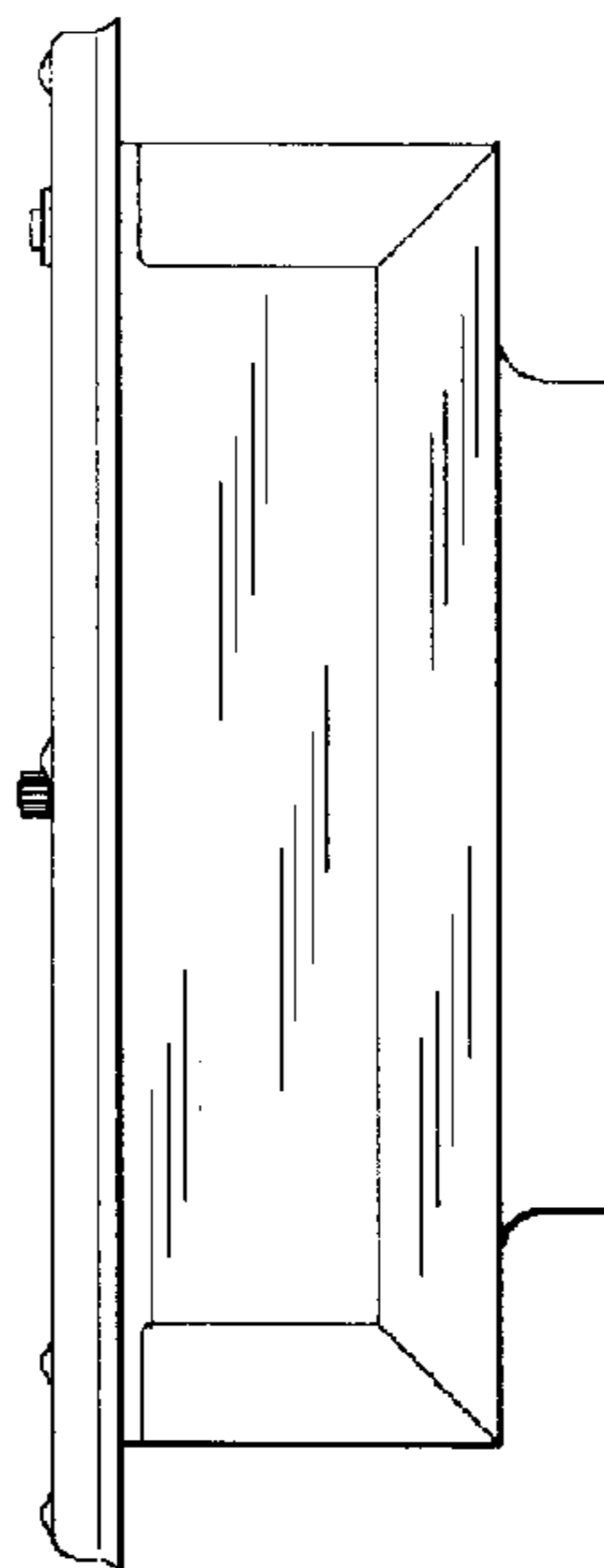


FIG. 5

