



US00D483845S

(12) **United States Design Patent**
Arato

(10) **Patent No.:** **US D483,845 S**

(45) **Date of Patent:** **** Dec. 16, 2003**

(54) **AIR FILTER CARTRIDGE**

(76) **Inventor:** **Paul Arato**, 86 Rusty Crestway,
Toronto, Ontario (CA), K2H 5S3

(**) **Term:** **14 Years**

(21) **Appl. No.:** **29/173,128**

(22) **Filed:** **Dec. 24, 2002**

(51) **LOC (7) Cl.** **23-04**

(52) **U.S. Cl.** **D23/365**

(58) **Field of Search** D23/209, 365;
210/495; 55/495, DIG. 31

(56) **References Cited**

U.S. PATENT DOCUMENTS

2,952,342	A	*	9/1960	Schnittker	52/658
4,689,058	A	*	8/1987	Vogt et al.	96/135
5,782,944	A	*	7/1998	Justice	55/495
5,817,168	A	*	10/1998	Wheless	96/222
6,007,596	A	*	12/1999	Rosen	55/491

* cited by examiner

Primary Examiner—Robin V. Taylor
(74) *Attorney, Agent, or Firm*—David J. French

(57) **CLAIM**

The ornamental design for an air filter cartridge, as shown and described.

DESCRIPTION

FIG. 1 is a perspective view of one face of the air filter frame.

FIG. 2 is a face view of one side of the air filter frame.

FIG. 3 is a face view of the opposite side to the side of FIG. 2.

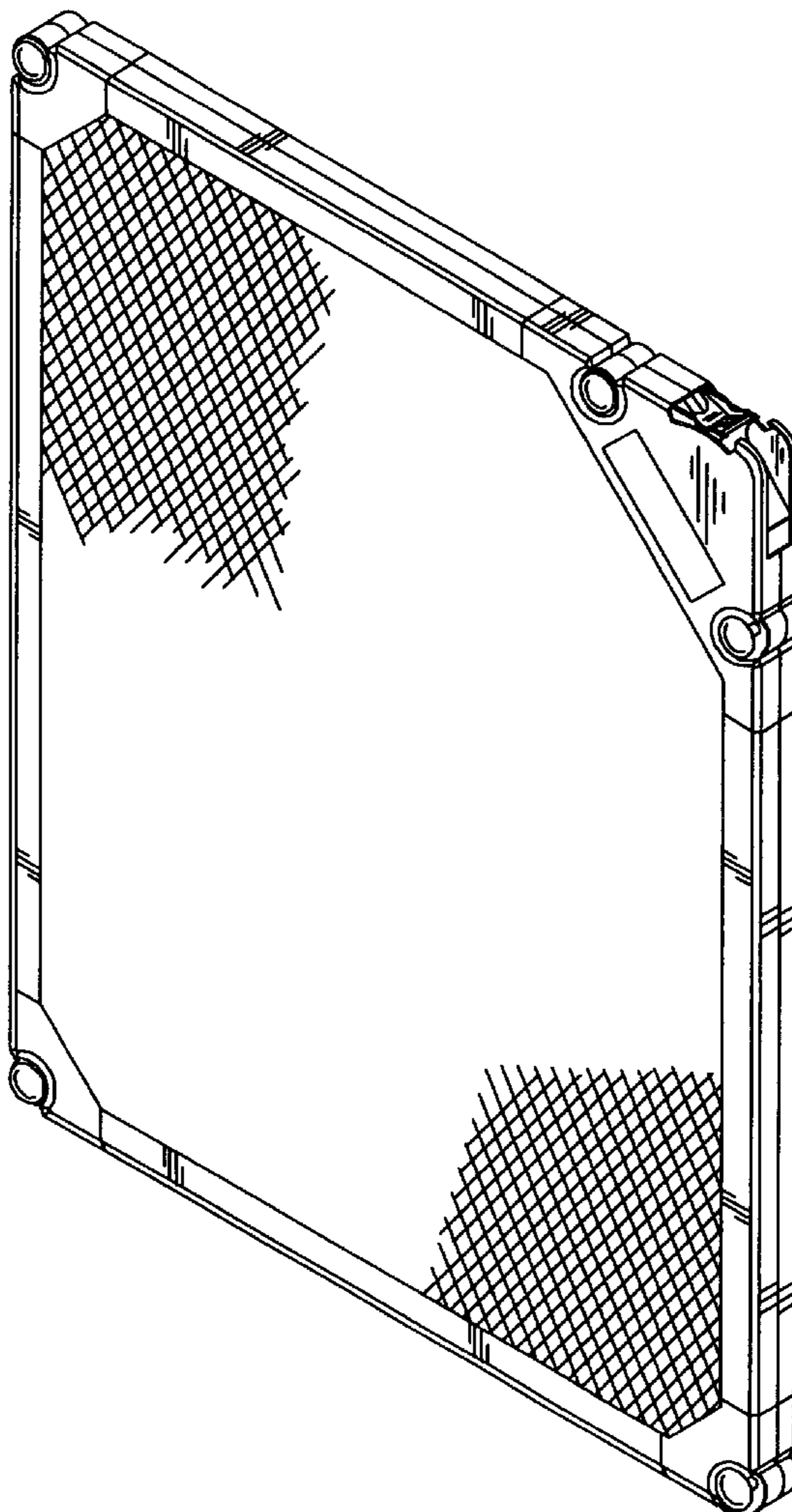
FIG. 4 is a left edge view of the filter frame.

FIG. 5 is a right edge view of the filter frame.

FIG. 6 is a top edge view of the filter frame; and,

FIG. 7 is a bottom edge view of the filter frame.

1 Claim, 5 Drawing Sheets



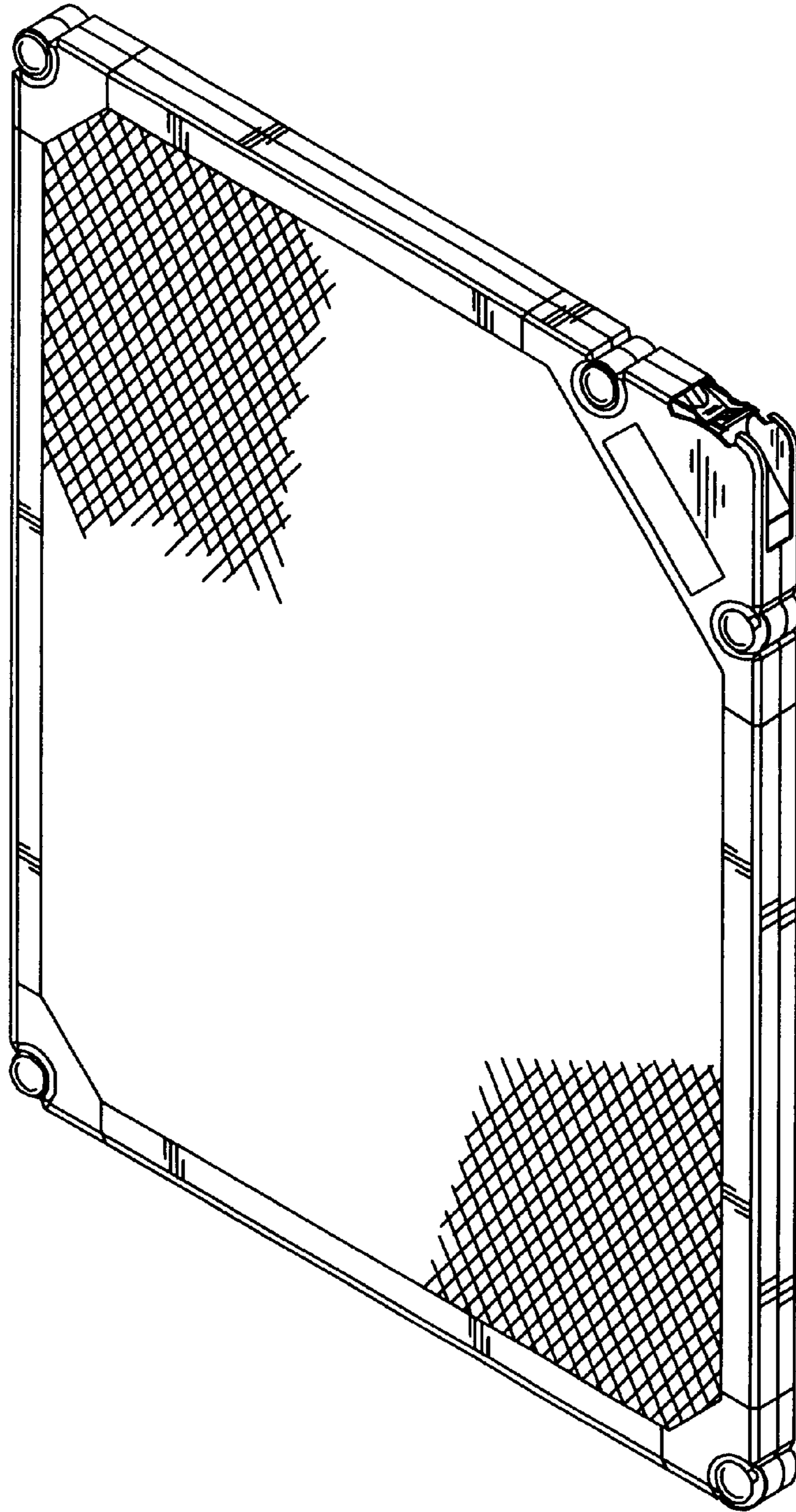


FIG. 1

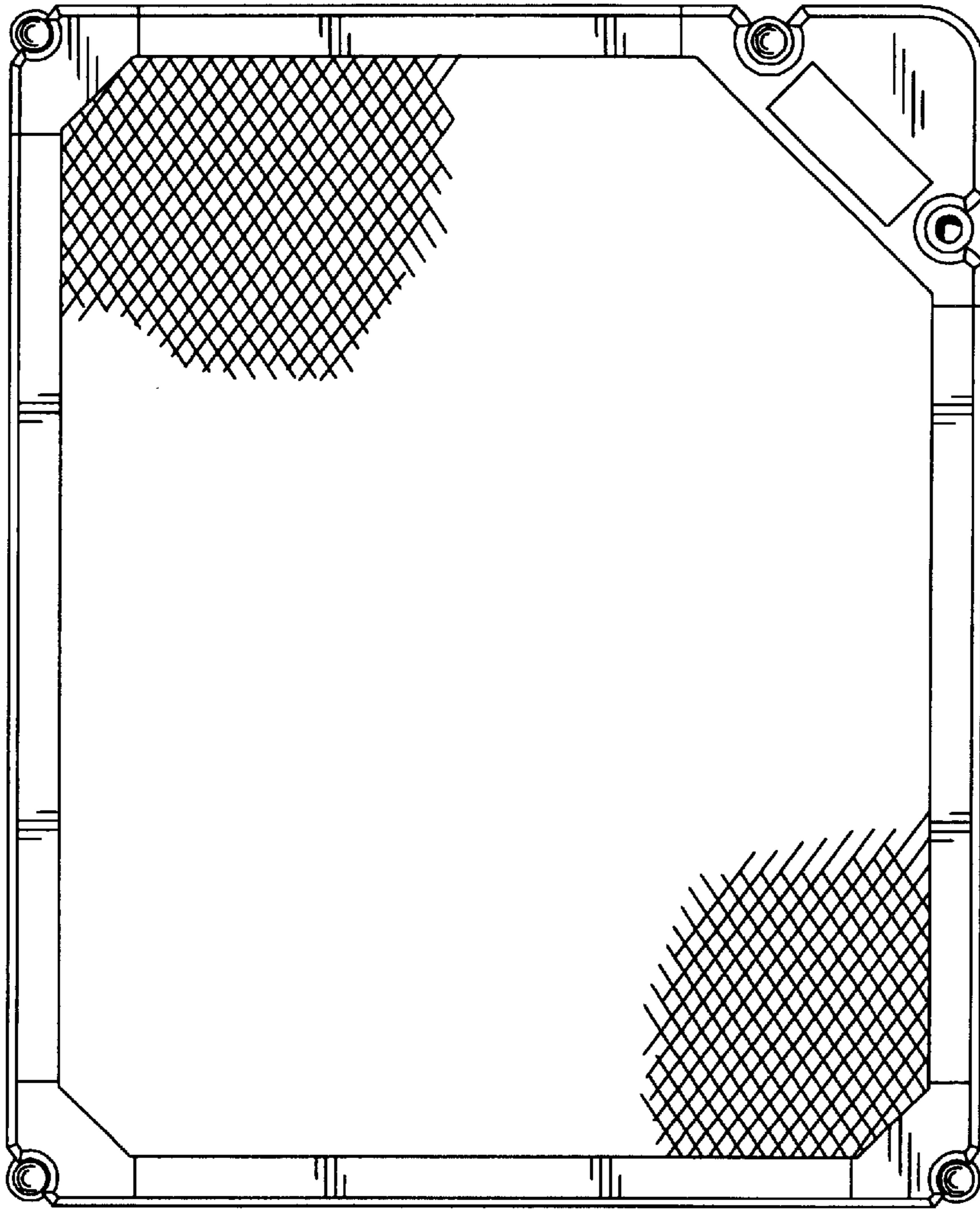


FIG. 2

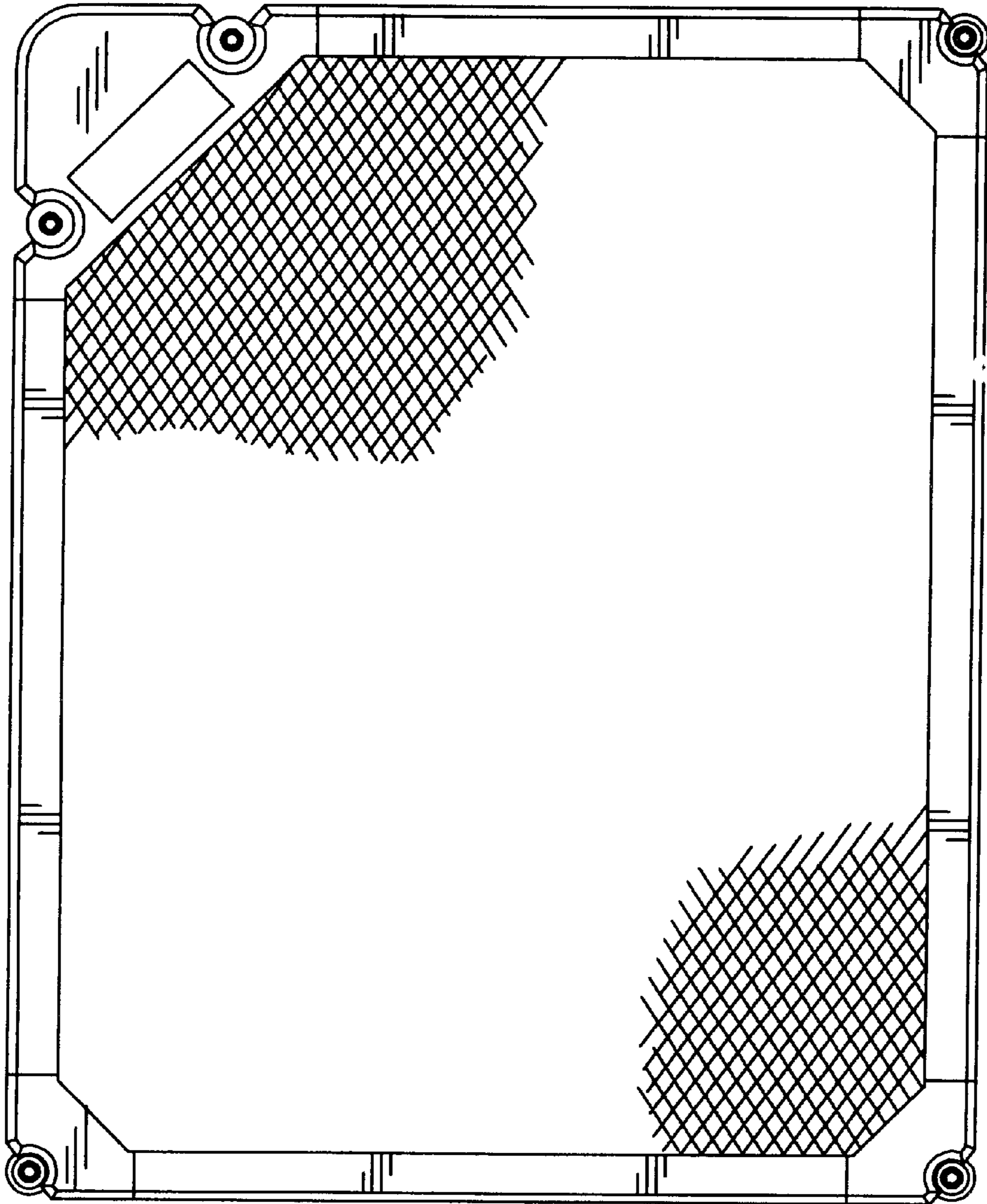


FIG. 3

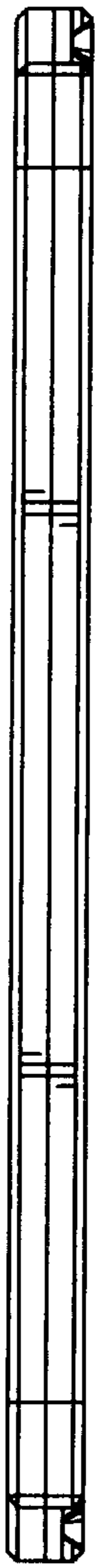


FIG. 4

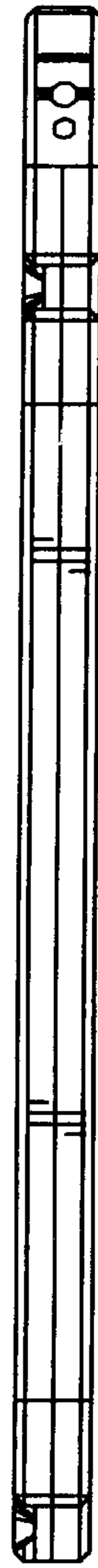


FIG. 5

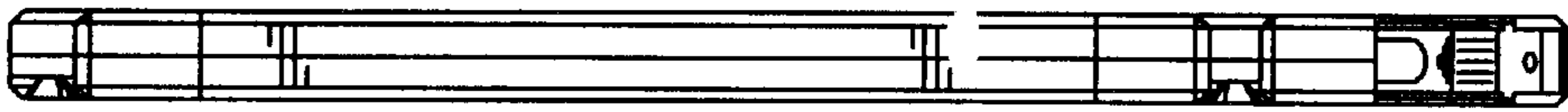


FIG. 6

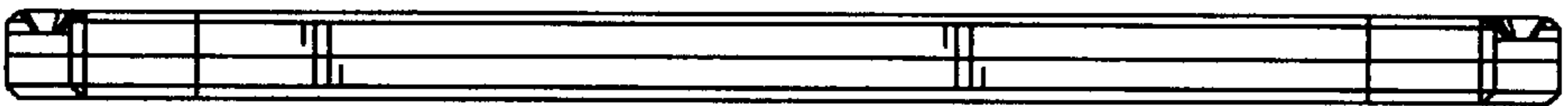


FIG. 7