



US00D483844S

(12) **United States Design Patent**  
**Yamamoto et al.**

(10) **Patent No.:** **US D483,844 S**

(45) **Date of Patent:** **\*\* Dec. 16, 2003**

(54) **GAS WATER HEATER**

(75) Inventors: **Nobuyuki Yamamoto**, Kobe (JP);  
**Hideki Yamaguchi**, Kobe (JP);  
**Takanori Nagano**, Kobe (JP);  
**Masanori Higashiuchi**, Kobe (JP);  
**Teizo Nanbu**, Kobe (JP)

(73) Assignee: **Noritz Corporation**, Hyogo (JP)

(\*\*) Term: **14 Years**

(21) Appl. No.: **29/168,090**

(22) Filed: **Sep. 26, 2002**

(51) **LOC (7) Cl.** ..... **23-03**

(52) **U.S. Cl.** ..... **D23/320**

(58) **Field of Search** ..... D23/318, 320,  
D23/321; D13/184; 122/494, DIG. 4; 220/3.3,  
3.8; 392/449, 319; 126/344, 350 D

(56) **References Cited**

**U.S. PATENT DOCUMENTS**

1,363,947 A \* 12/1920 Youngblood ..... 392/319  
2,603,546 A \* 7/1952 Lais ..... 220/3.8

D262,649 S \* 1/1982 Owen ..... D23/318  
D294,288 S \* 2/1988 Blanco ..... D23/318  
D408,823 S \* 4/1999 Kirby ..... D13/184  
D452,487 S \* 12/2001 Kaplan ..... D13/184  
D459,452 S \* 6/2002 Blanco, Jr. .... D23/318

\* cited by examiner

*Primary Examiner*—B. J. Bullock

(74) *Attorney, Agent, or Firm*—Wood, Phillips, Katz, Clark & Mortimer

(57) **CLAIM**

The ornamental design for a gas water heater, as shown and described.

**DESCRIPTION**

FIG. 1 is a front, top and right side perspective view of our design for a gas water heater;  
FIG. 2 is a front elevation view thereof;  
FIG. 3 is a rear elevation view thereof;  
FIG. 4 is a left side elevation view thereof;  
FIG. 5 is a right side elevation view thereof;  
FIG. 6 is a plan view thereof; and,  
FIG. 7 is a bottom view thereof.

**1 Claim, 6 Drawing Sheets**

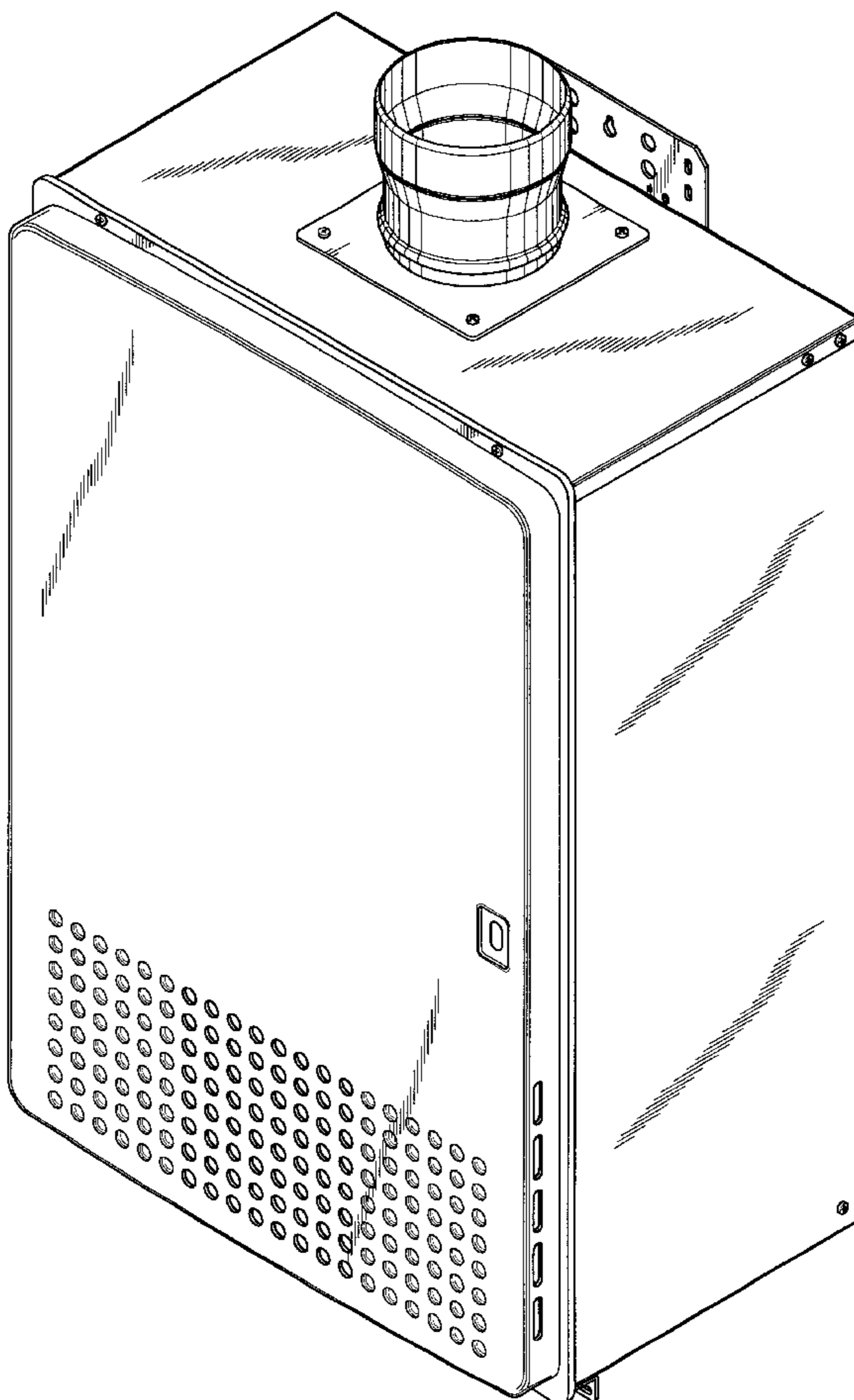


Fig. 1

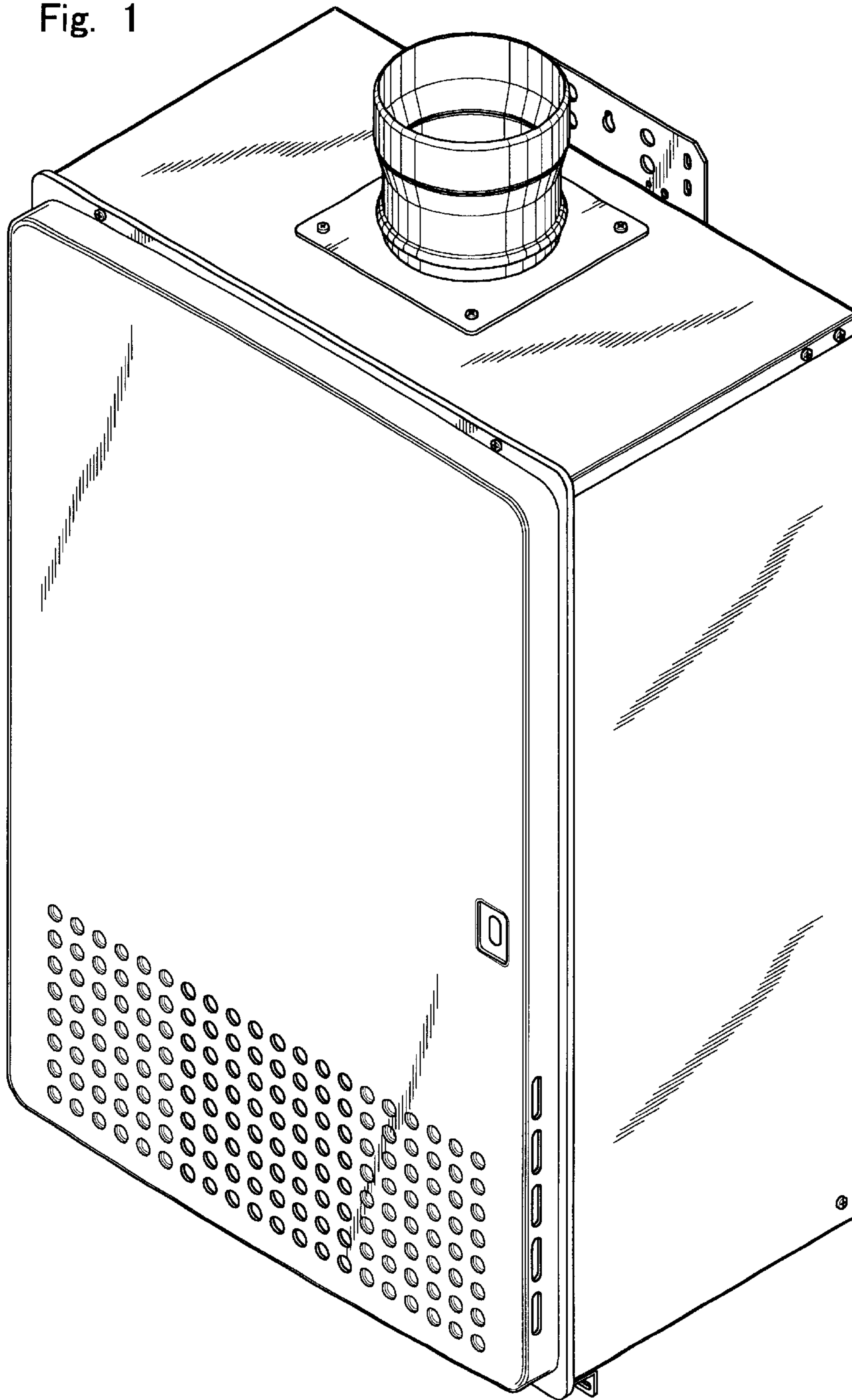


Fig. 2

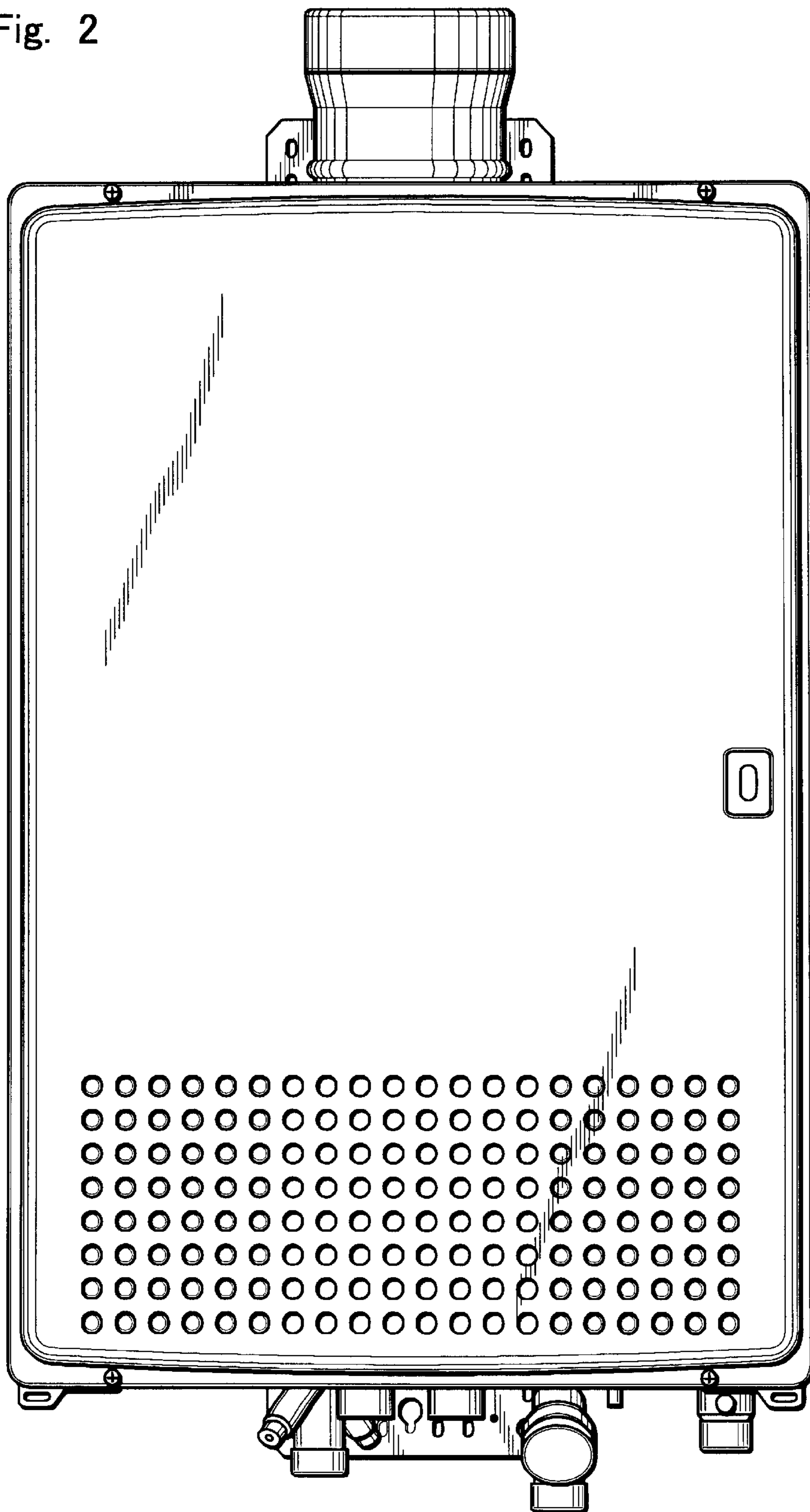


Fig. 3

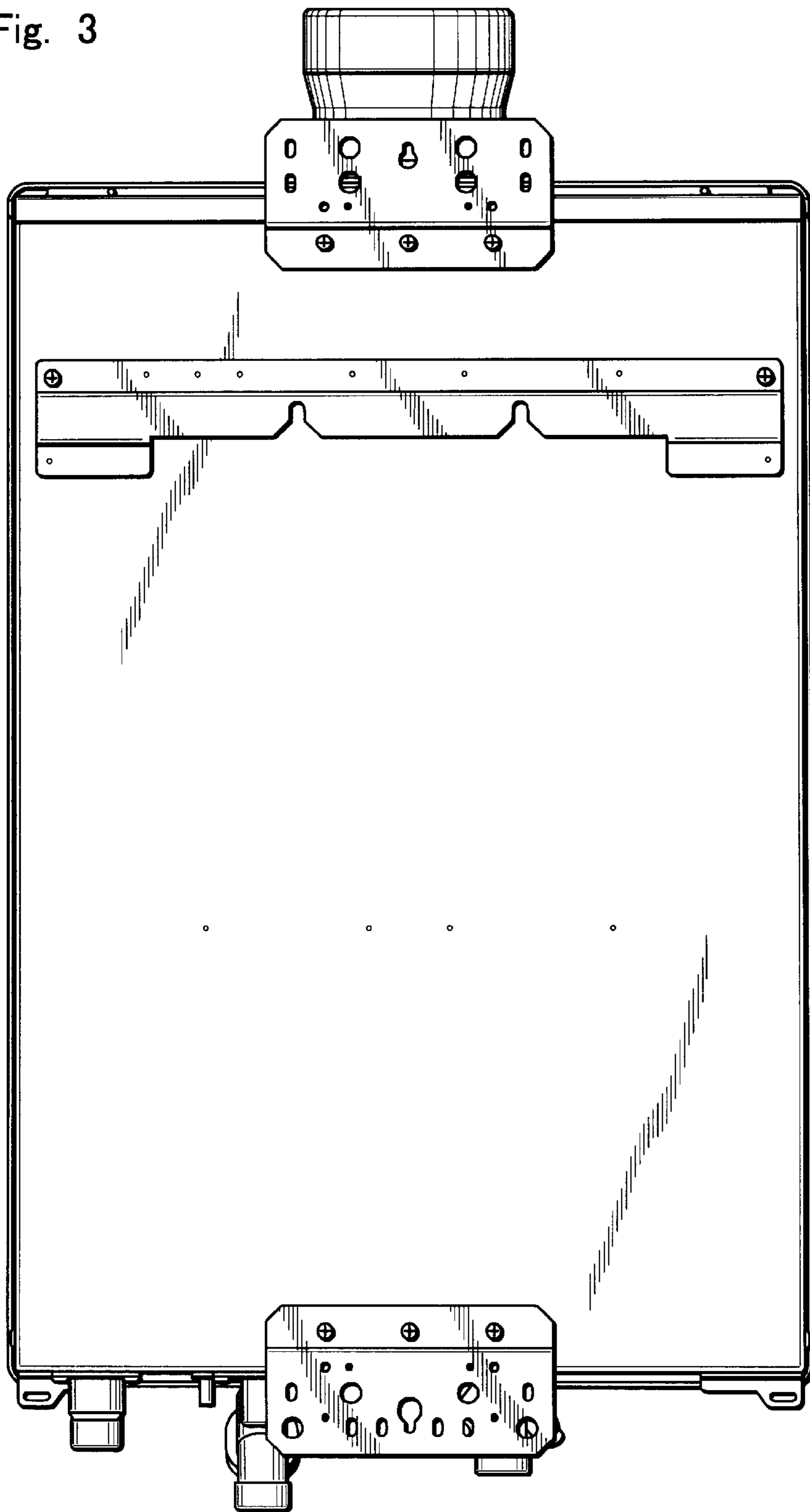


Fig. 4

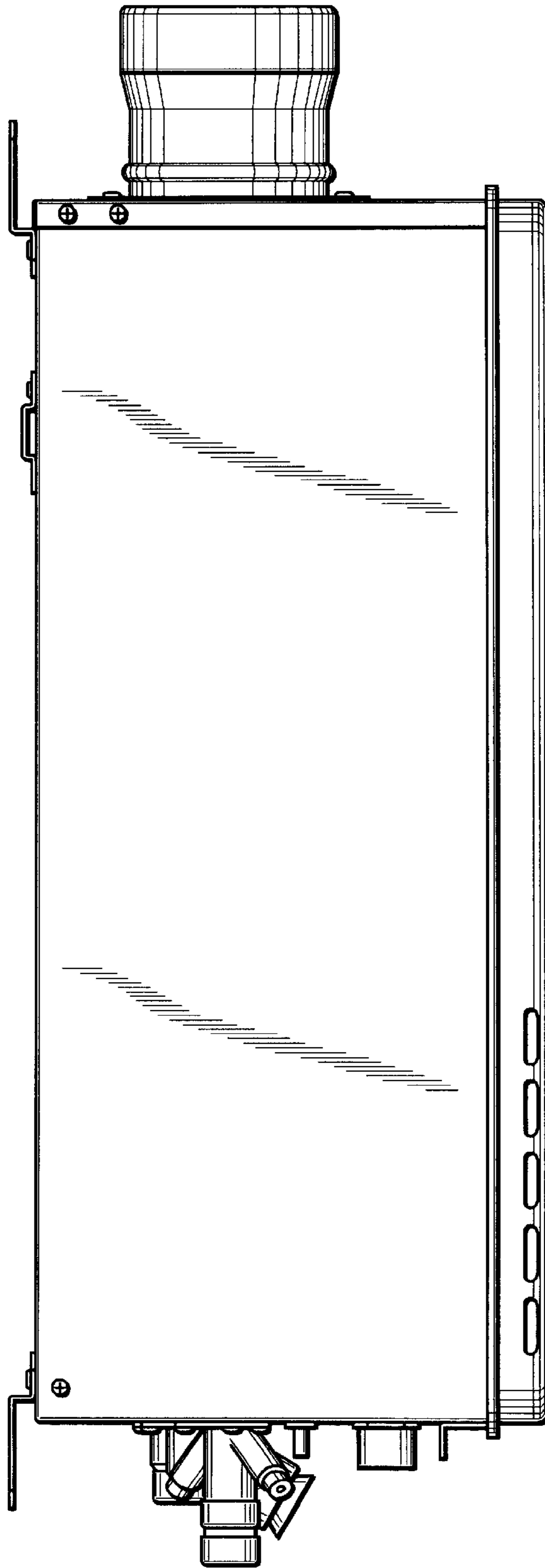


Fig. 5

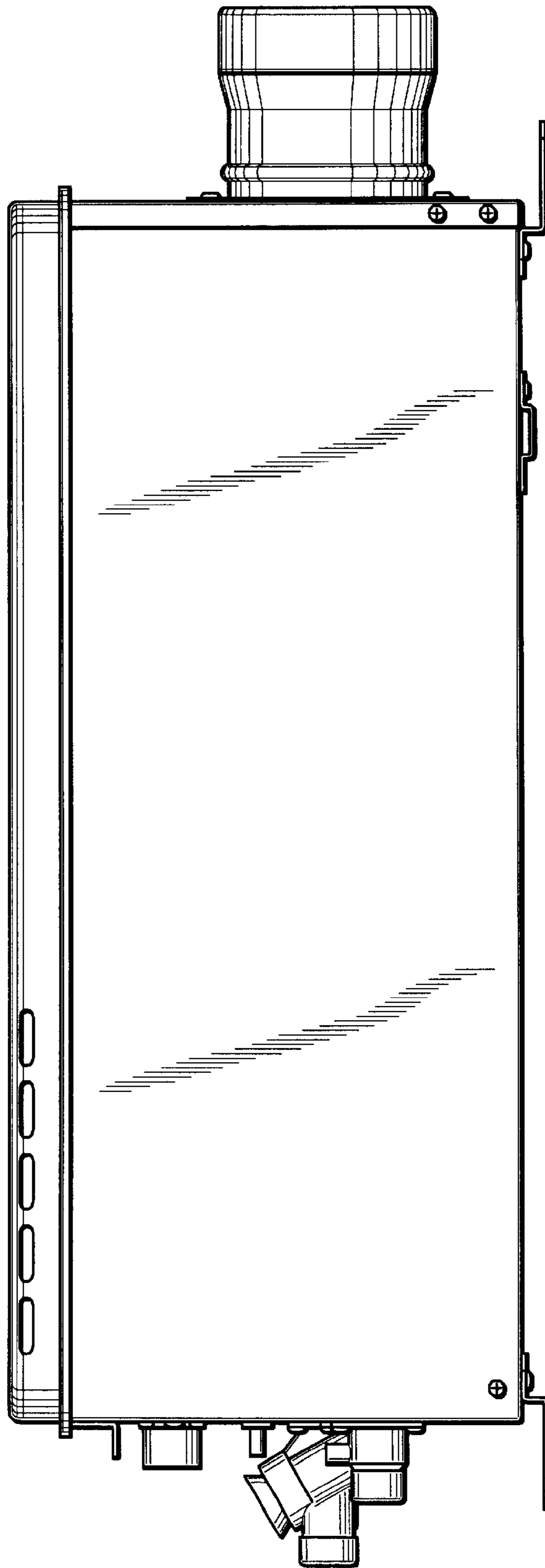




Fig. 6

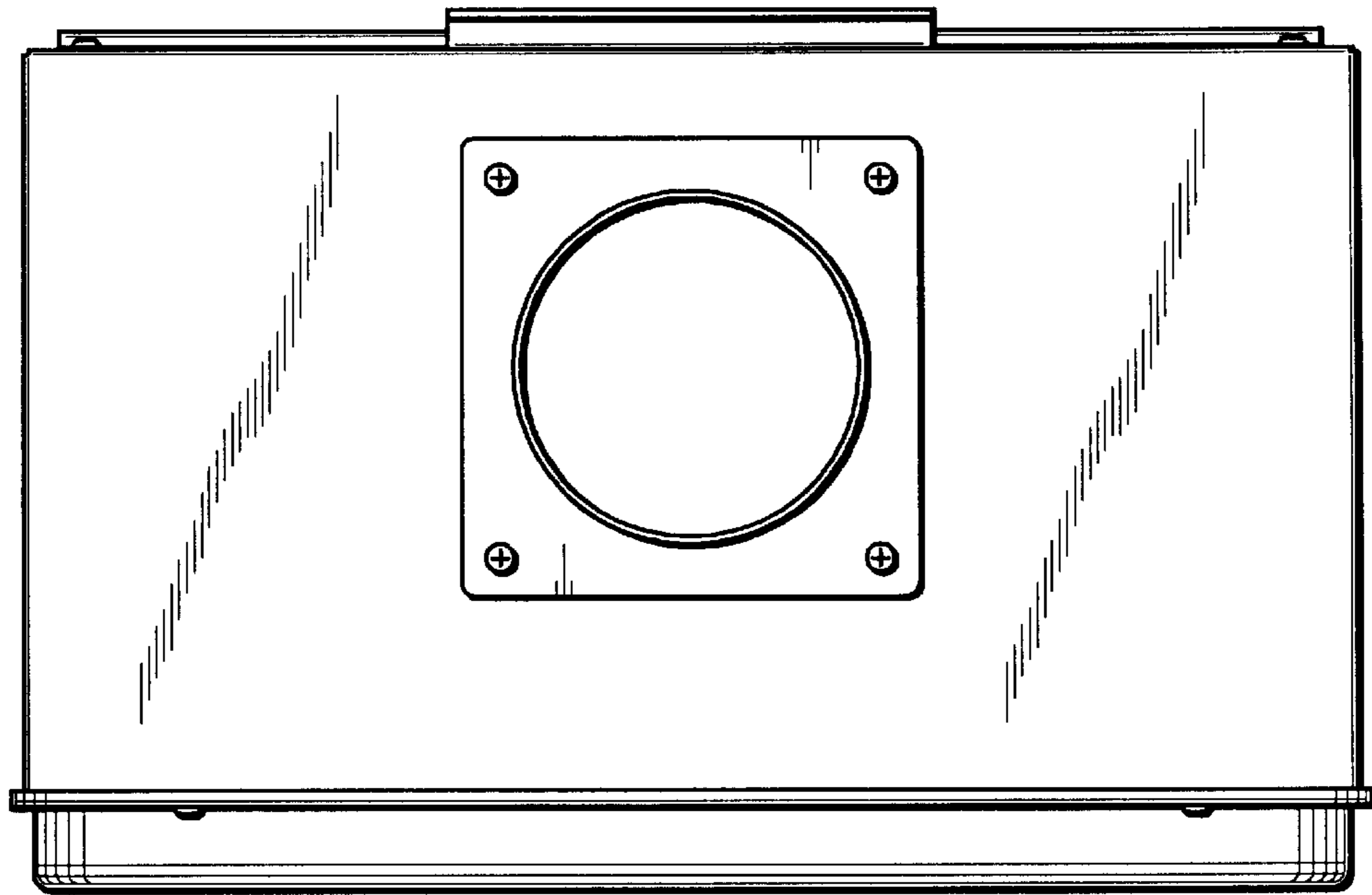


Fig. 7

