



US00D483843S

(12) **United States Design Patent**  
**Ruxchaivan**

(10) **Patent No.:** **US D483,843 S**

(45) **Date of Patent:** **\*\* Dec. 16, 2003**

(54) **TANK**

(75) Inventor: **Somsak Ruxchaivan**, Pathumthani (TH)

(73) Assignee: **American Standard International Inc.**, New York, NY (US)

(\*\*) Term: **14 Years**

(21) Appl. No.: **29/169,580**

(22) Filed: **Oct. 23, 2002**

(30) **Foreign Application Priority Data**

May 17, 2002 (TH) ..... 073755

(51) **LOC (7) Cl.** ..... **23-02**

(52) **U.S. Cl.** ..... **D23/313**

(58) **Field of Search** ..... D23/273-274,  
D23/295, 294, 296-298, 301, 303, 309,  
313; 4/300, 328, 329, 353, 902, 661

(56) **References Cited**

**U.S. PATENT DOCUMENTS**

D412,974 S \* 8/1999 Birsal et al. .... D23/301  
D457,608 S \* 5/2002 Moll ..... D23/301  
D470,580 S \* 2/2003 Tako ..... D23/295

**OTHER PUBLICATIONS**

Domestic Engineering, May, 1983: "Inovation Spurs Sales", item D, IFO Sanitar, p. 55.\*

Toto USA, Inc., Morrow GA, 1999: Pacifica Toilet, MS904114 and Prominence Toilet, MS894114.\*

\* cited by examiner

*Primary Examiner*—Louis S. Zarfaz

*Assistant Examiner*—Robert A. Delehanty

(57) **CLAIM**

The ornamental design for a tank, as shown and described.

**DESCRIPTION**

FIG. 1 is a perspective view of a tank showing my new design;

FIG. 2 is a front elevational view thereof;

FIG. 3 is a right side elevational view thereof;

FIG. 4 is a left side elevational view thereof;

FIG. 5 is a rear elevational view thereof;

FIG. 6 is a top plan view thereof; and,

FIG. 7 is a bottom plan view thereof.

The broken line showing of a toilet bowl and plumbing fixture holes is for illustrative purposes only and forms no part of the claimed design.

**1 Claim, 3 Drawing Sheets**

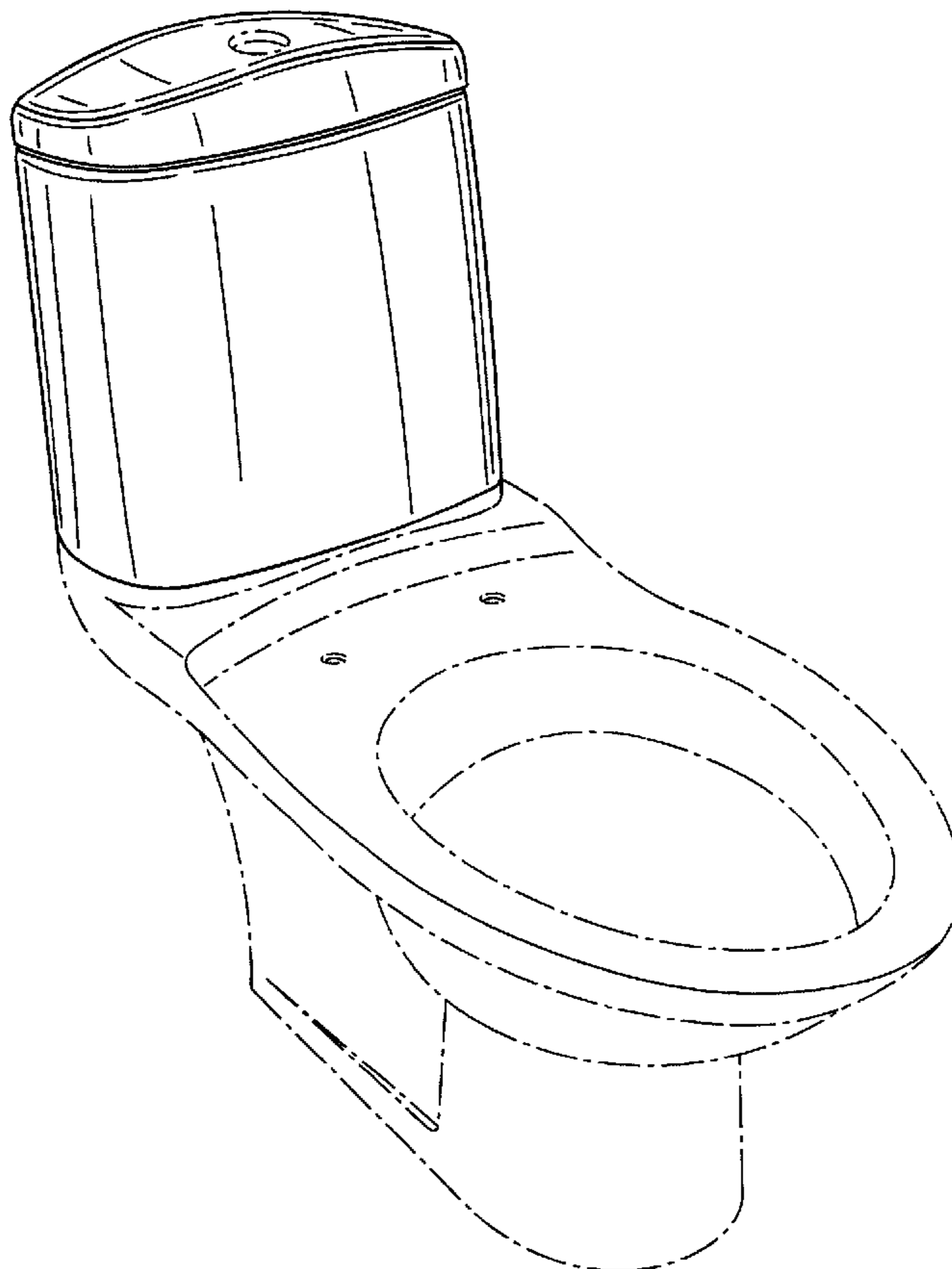


FIG. 1

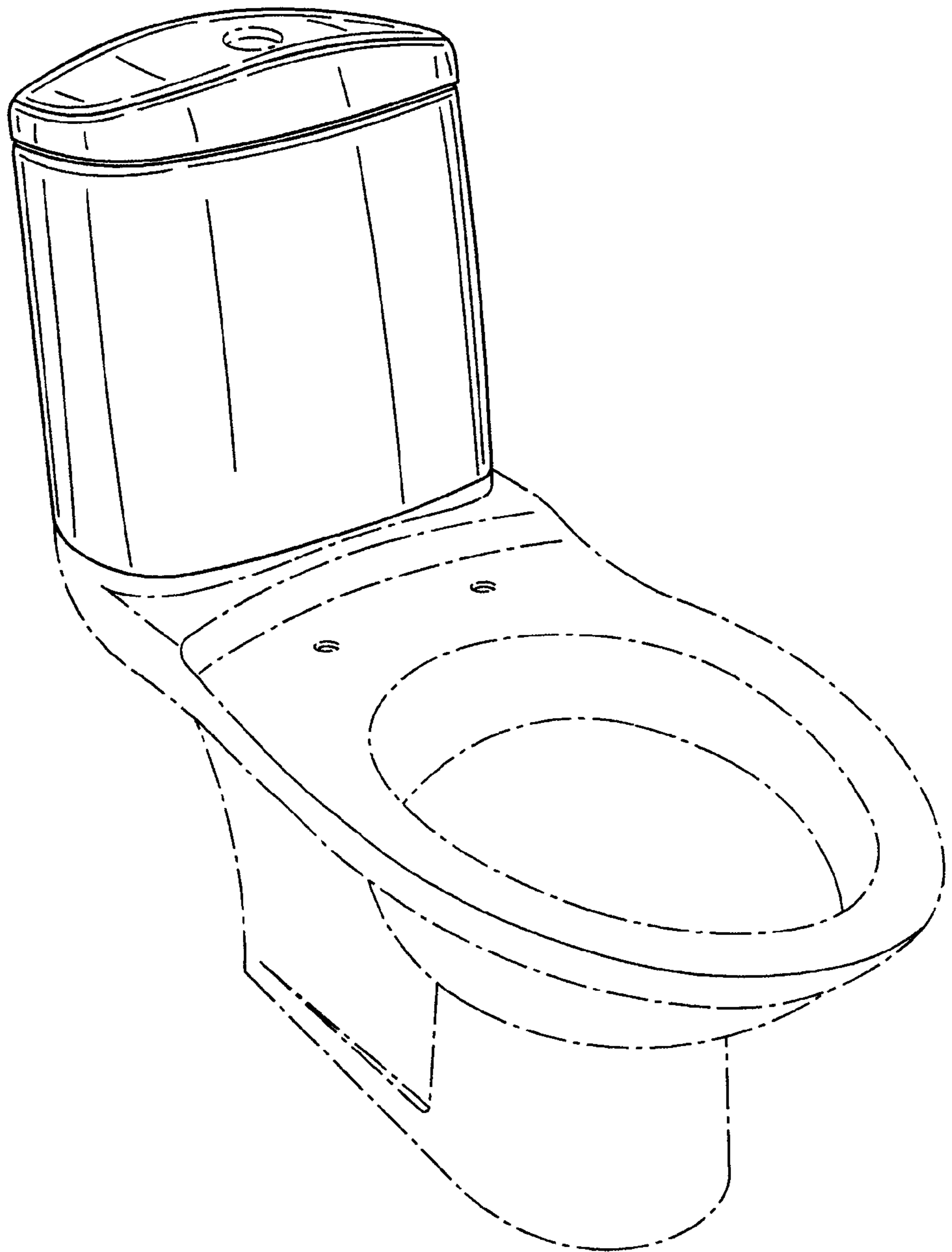


FIG. 2

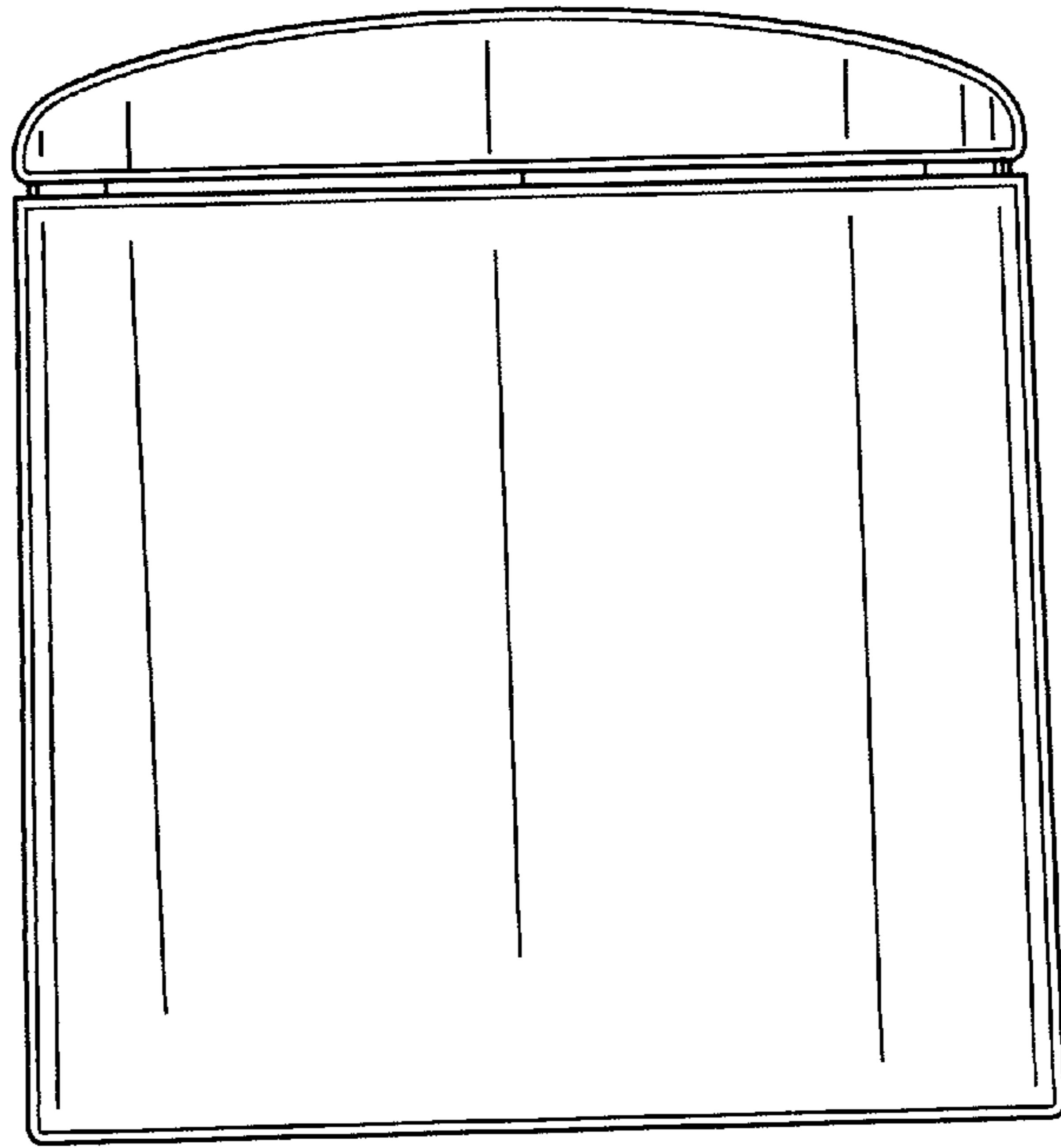


FIG. 3

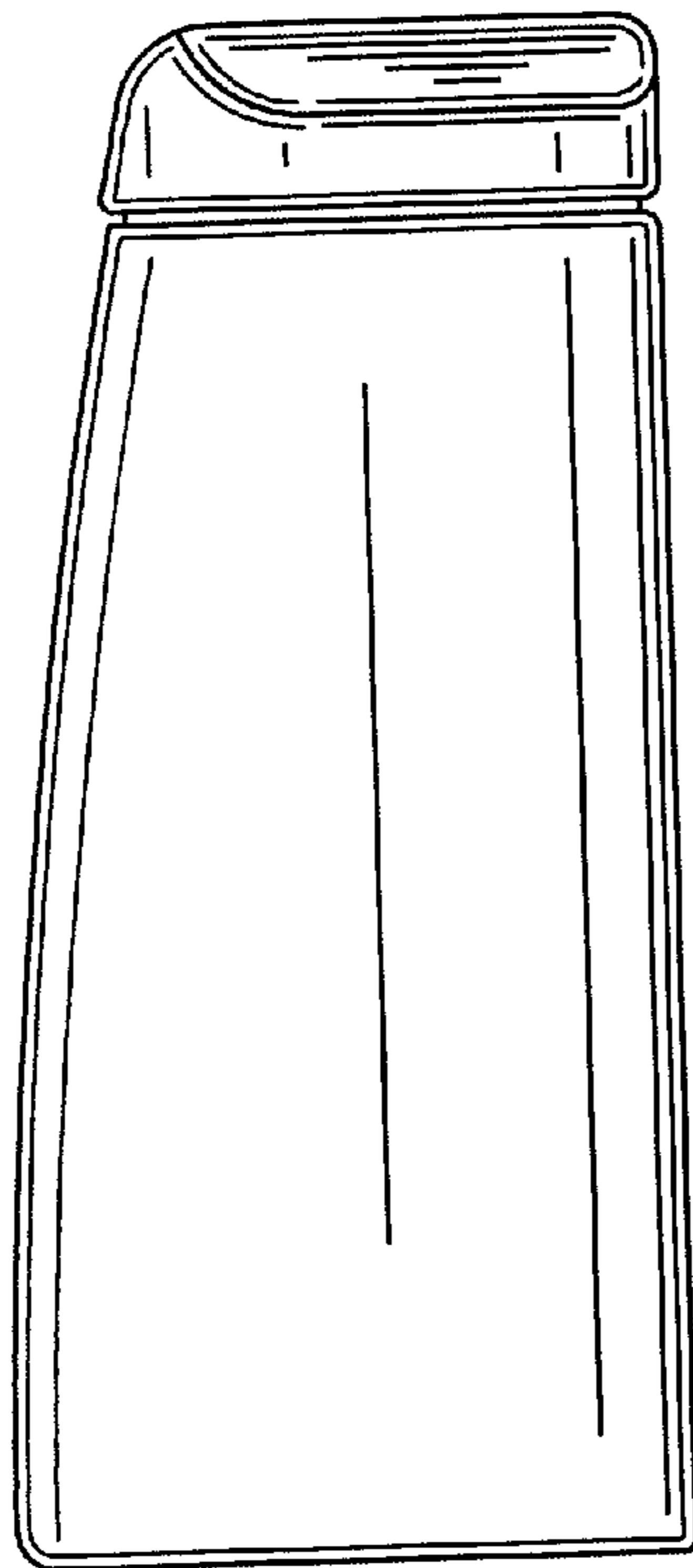


FIG. 4

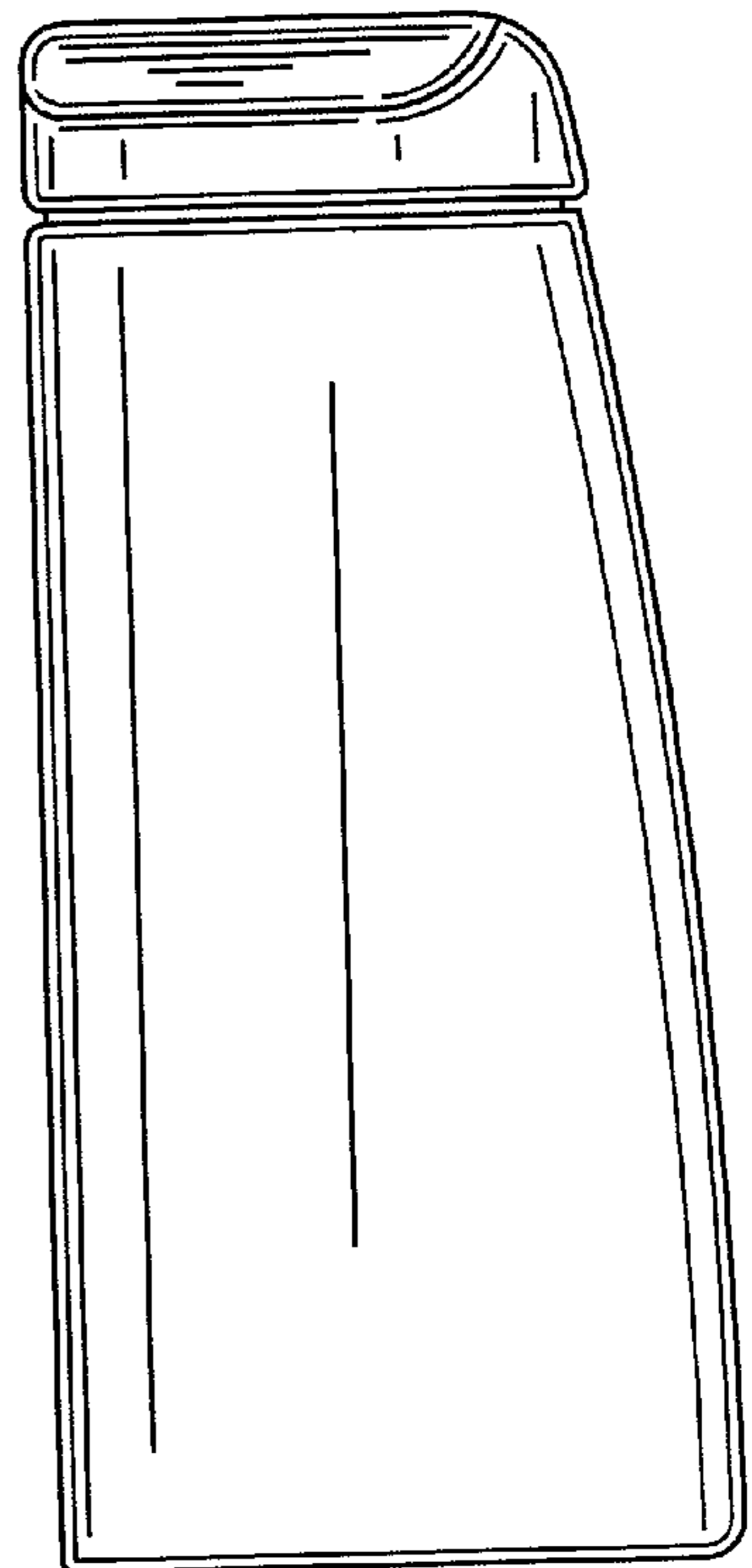


FIG. 5

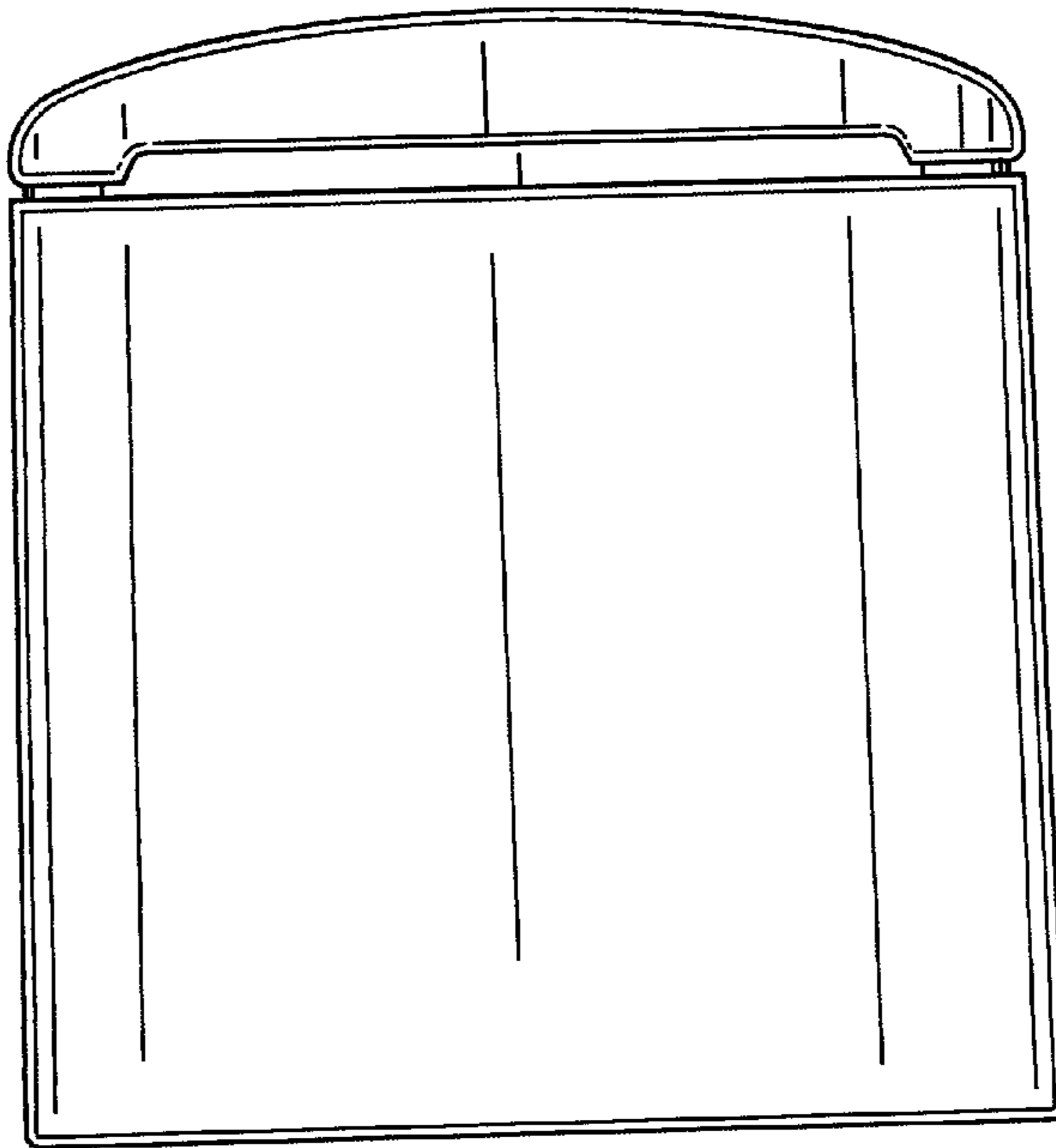


FIG. 6

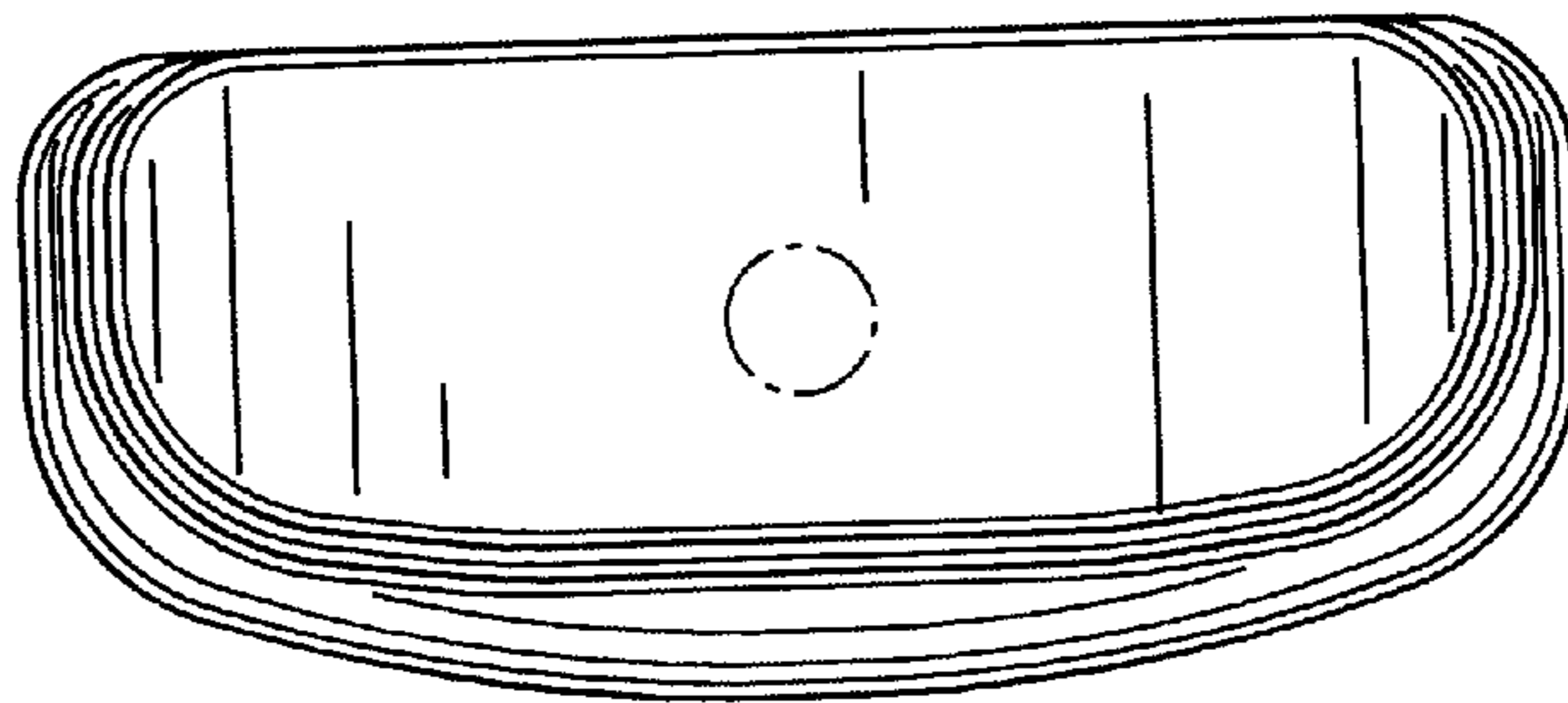


FIG. 7

