



US00D483842S

(12) **United States Design Patent**
Carrick

(10) **Patent No.:** **US D483,842 S**

(45) **Date of Patent:** **** Dec. 16, 2003**

(54) **GOLF CLUB HEAD-SHAPED TOILET HANDLE**

(76) Inventor: **Wayne Matthew Carrick**, 1617 Longview Rd., Mt. Pleasant, SC (US) 29464

(**) Term: **14 Years**

(21) Appl. No.: **29/175,254**

(22) Filed: **Jan. 31, 2003**

(51) **LOC (7) Cl.** **23-02**

(52) **U.S. Cl.** **D23/309**

(58) **Field of Search** D23/251, 295-296, D23/303, 309, 313; 4/411, 300, 661, DIG. 7, 249, 902; D21/753, 733, 735, 747-751

(56) **References Cited**

U.S. PATENT DOCUMENTS

1,653,428	A	*	12/1927	Brinkman	D21/750
1,671,956	A	*	5/1928	Sime	D21/750
D203,936	S	*	3/1966	Long	D21/750
D270,852	S	*	10/1983	Mahaffey et al.	D21/742
D297,446	S	*	8/1988	Shearer	D21/743
D320,646	S	*	10/1991	Hardman	D23/251
5,836,021	A	*	11/1998	Davidson et al.	4/411
D417,722	S	*	12/1999	Jumalon	D23/309
D438,926	S	*	3/2001	Adams et al.	D21/748
D466,960	S	*	12/2002	Imamoto	D21/747

D473,606 S * 4/2003 Mickelson et al. D21/747

* cited by examiner

Primary Examiner—Louis S. Zarfaz

Assistant Examiner—Robert A. Delehanty

(74) *Attorney, Agent, or Firm*—Harleston Law Firm LLC; Kathleen M. Harleston

(57) **CLAIM**

The ornamental design for a golf club head-shaped toilet handle, as shown and described.

DESCRIPTION

FIG. 1 is a perspective view of a golf club head-shaped toilet handle, showing my new design in condition of use on a toilet;

FIG. 2 is an enlarged perspective view of the golf club head-shaped toilet handle thereof, shown separately for clarity of illustration

FIG. 3 is an enlarged top plan view thereof;

FIG. 4 is an enlarged bottom plan view thereof;

FIG. 5 is an enlarged right side elevation view thereof;

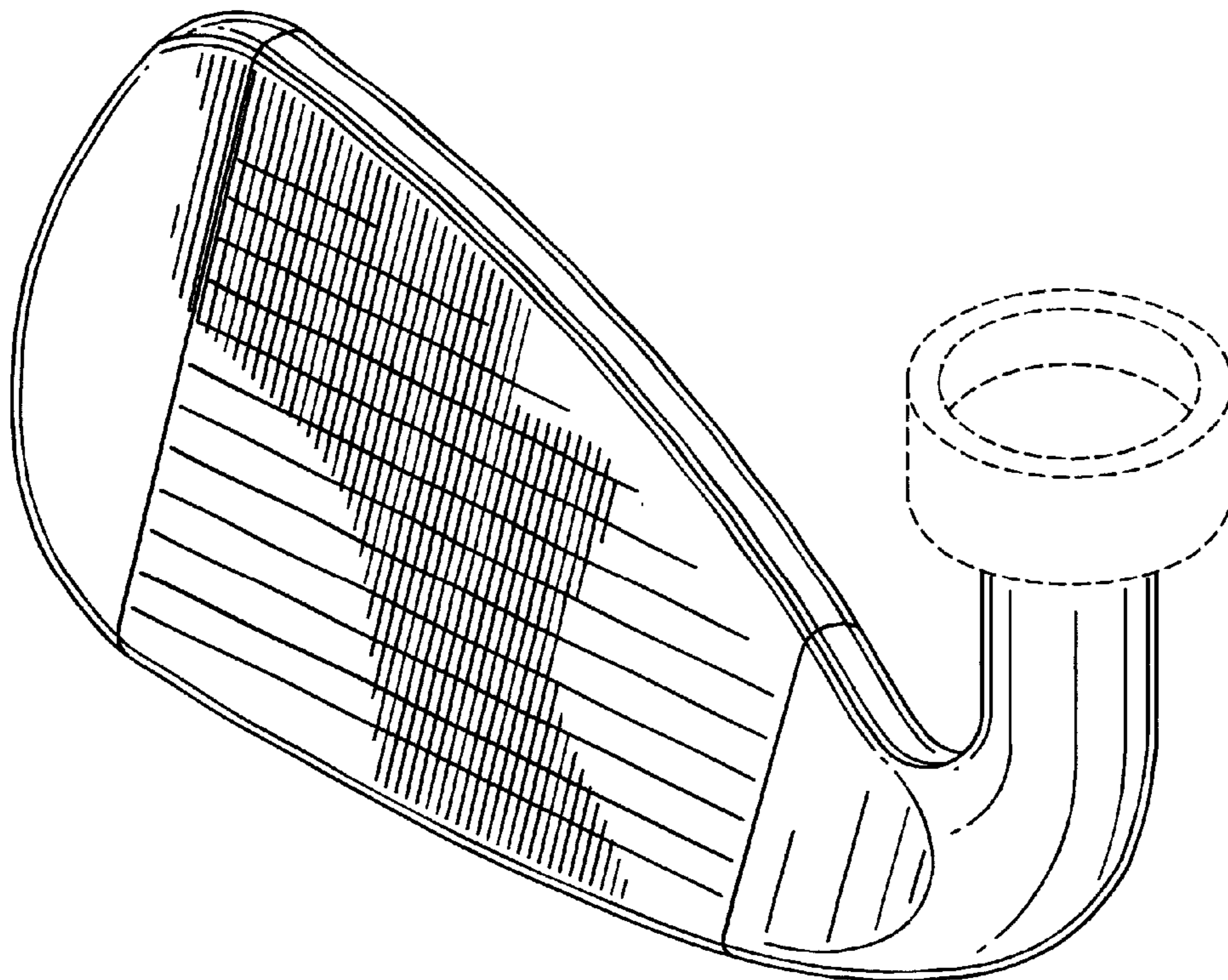
FIG. 6 is an enlarged left side elevation view thereof;

FIG. 7 is an enlarged right end elevation view thereof; and,

FIG. 8 is an enlarged left end elevation view thereof.

The broken line showing of a toilet and handle fitting is for illustrative purposes only and forms no part of the claimed design.

1 Claim, 5 Drawing Sheets



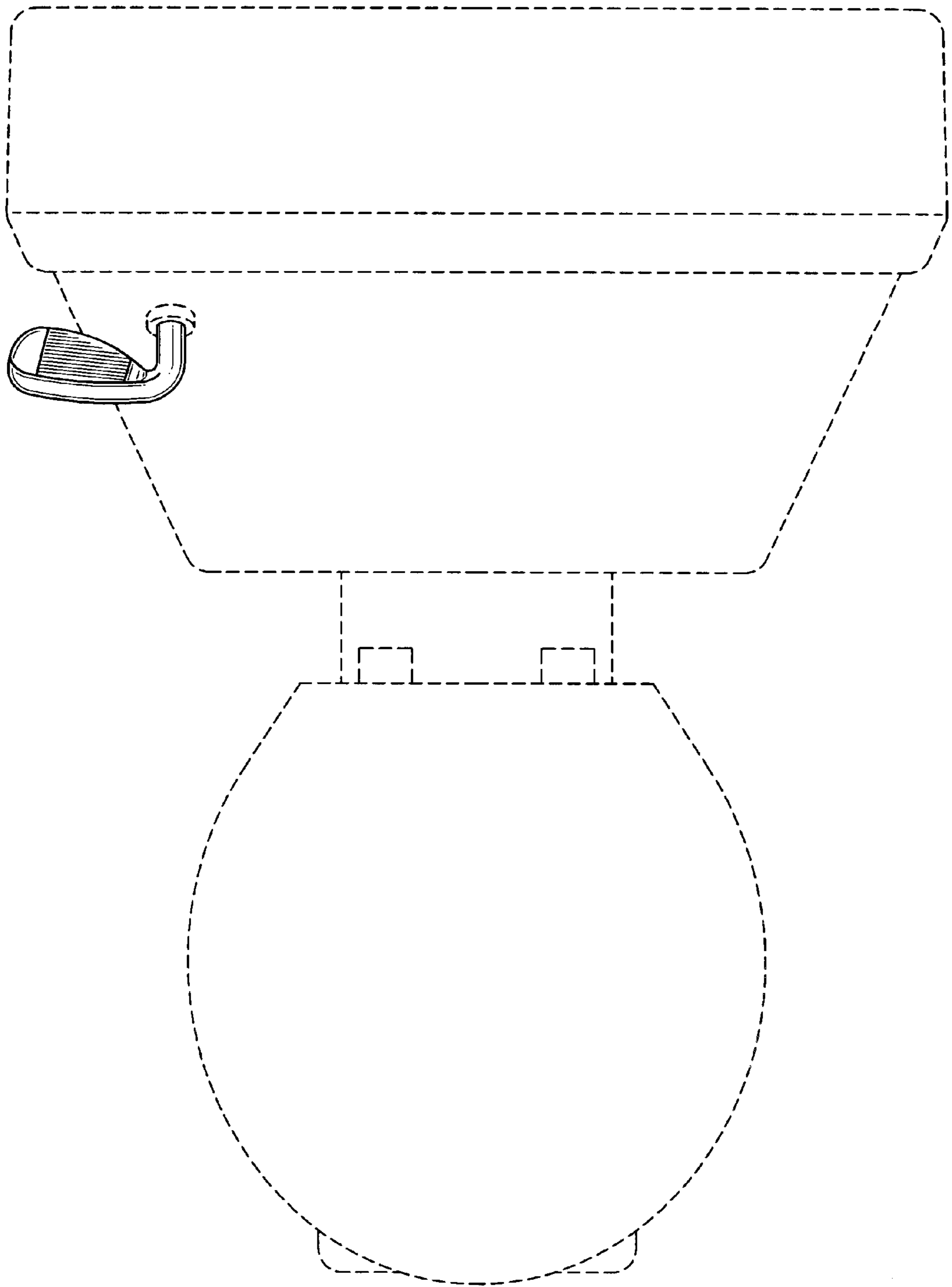


FIG. 1

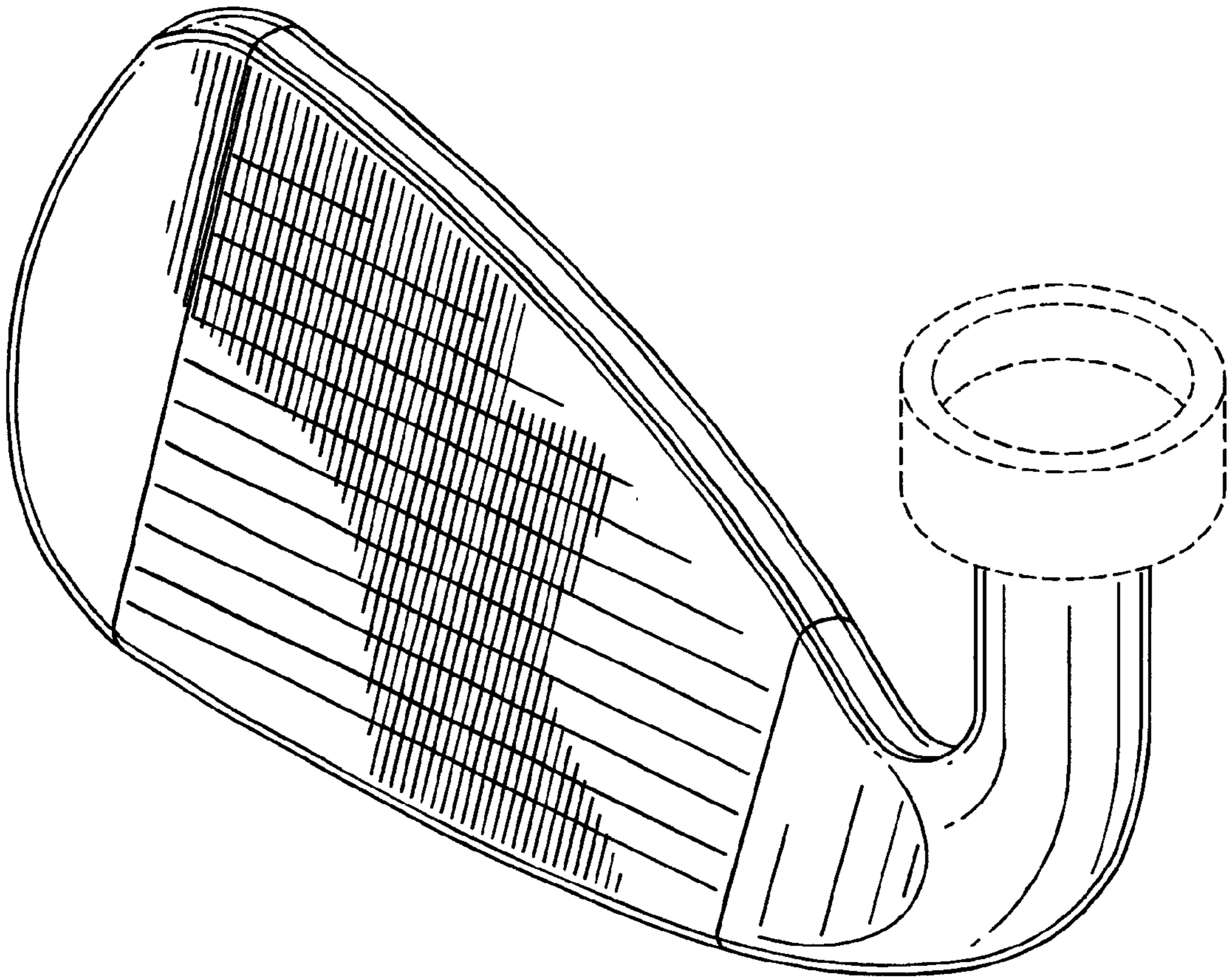


FIG.2

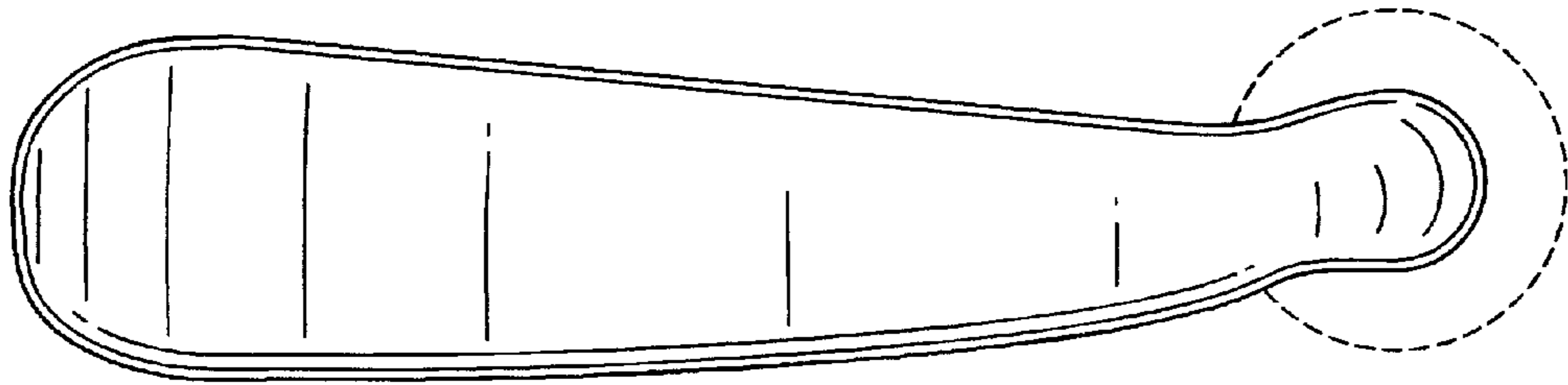


FIG.3

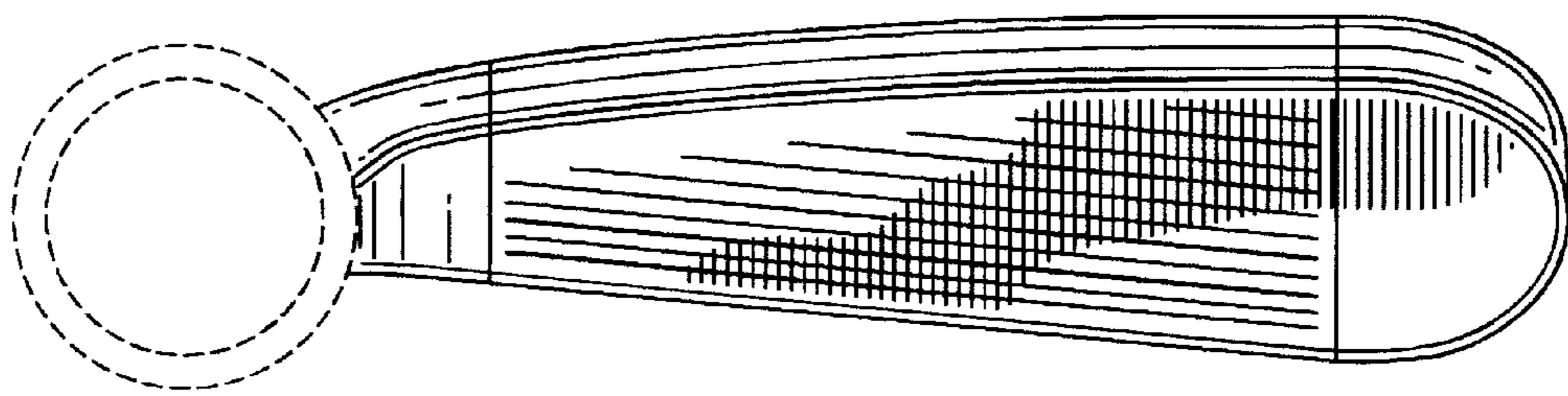


FIG.4

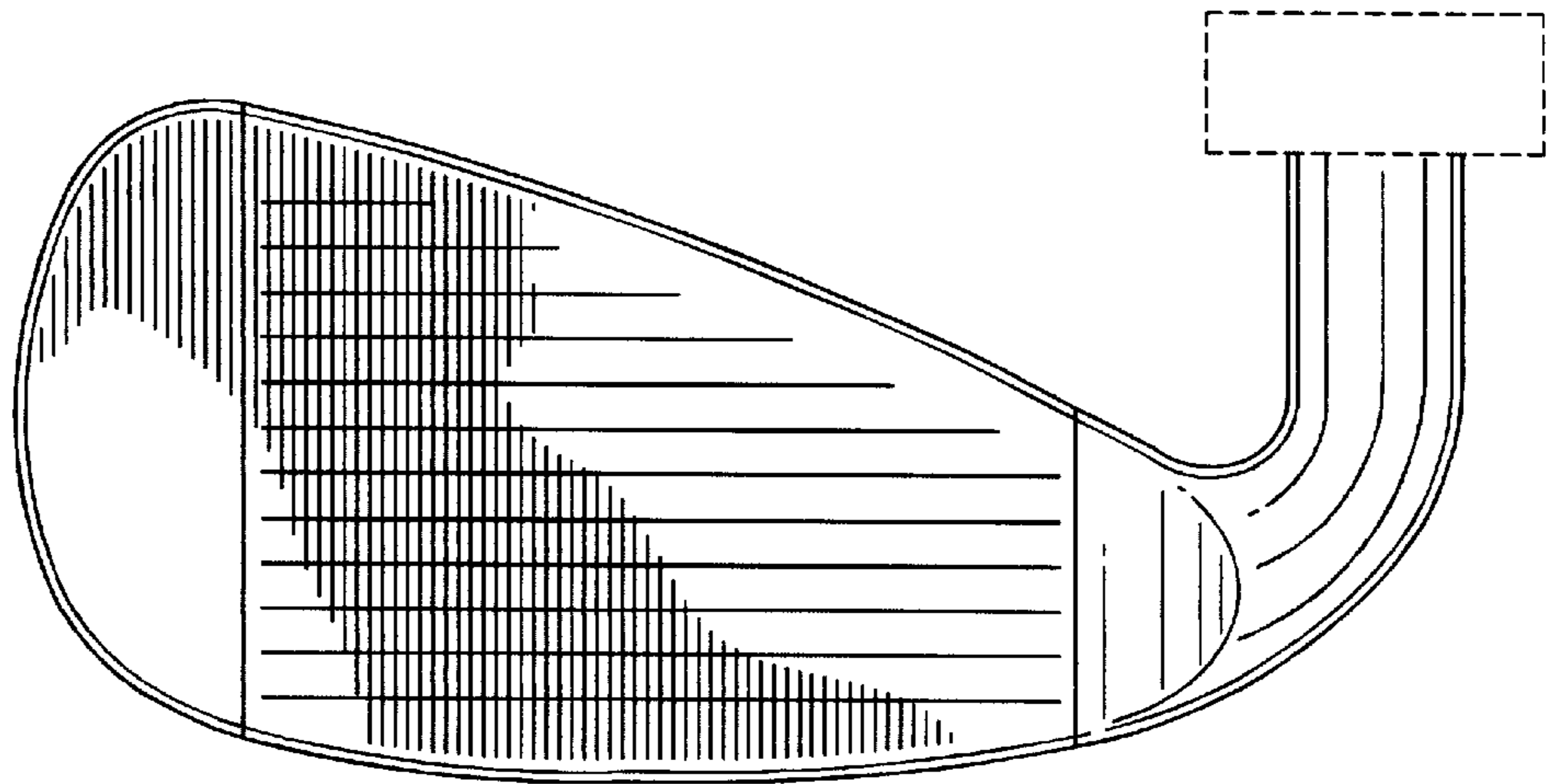


FIG. 5

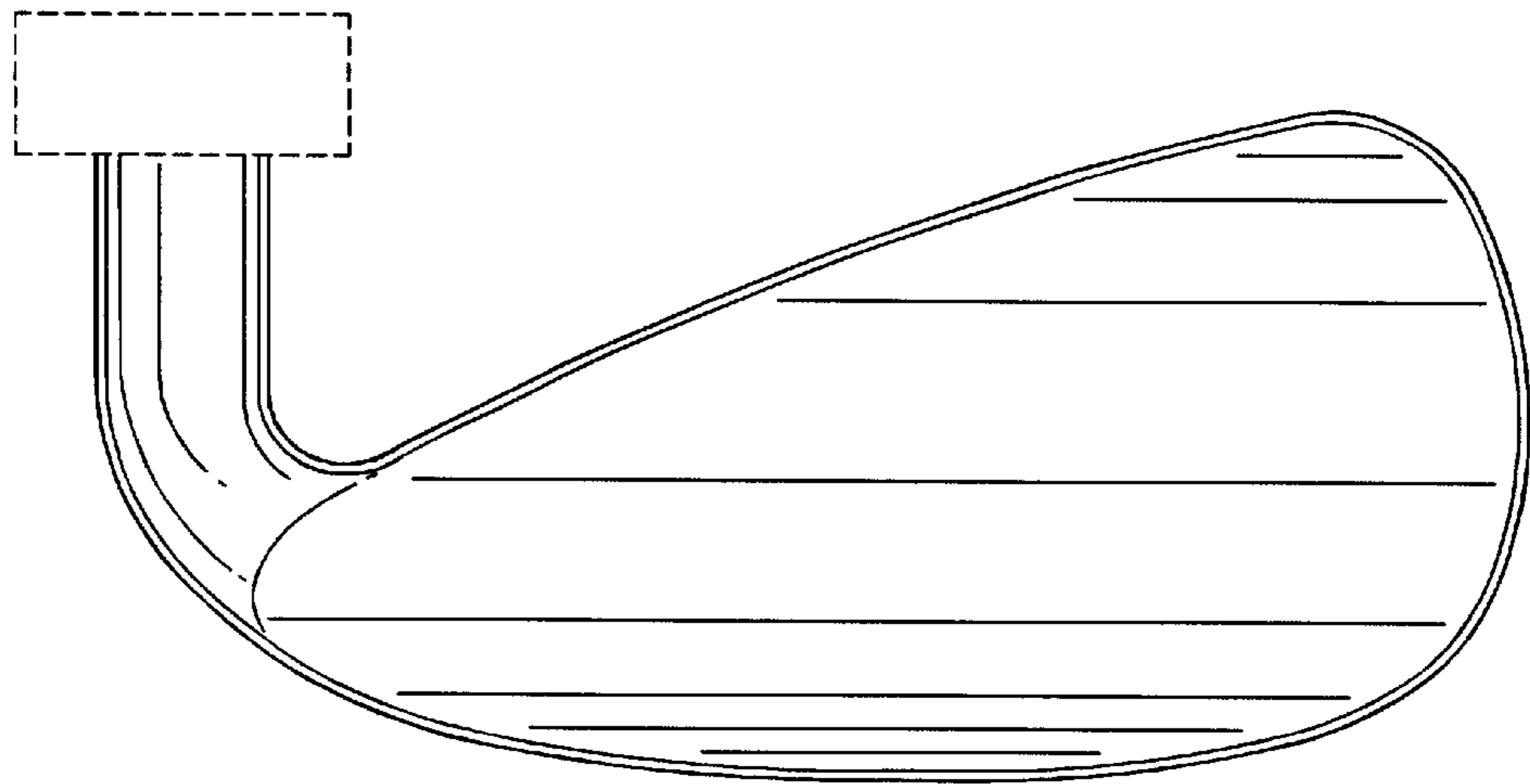


FIG. 6

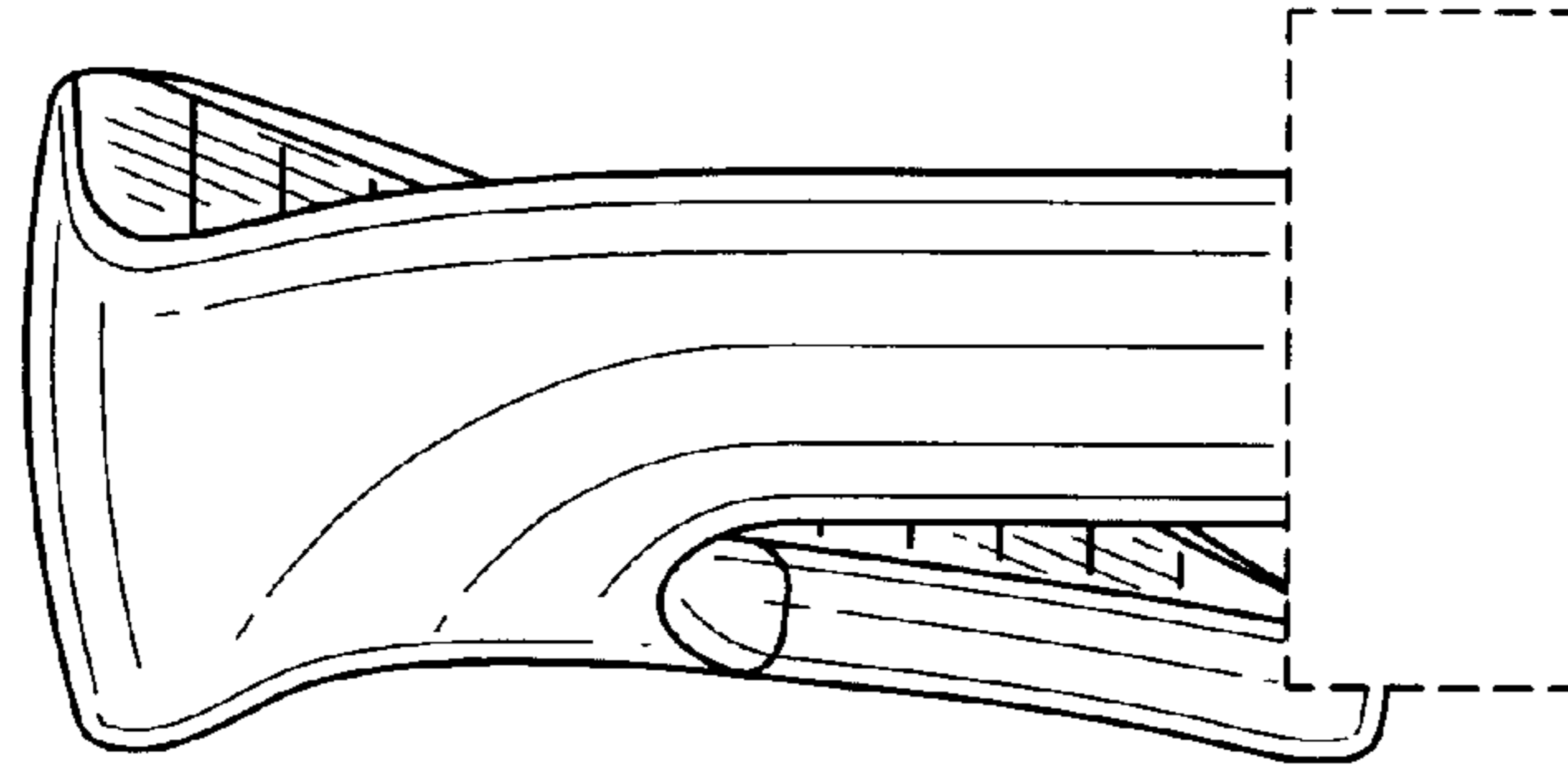


FIG. 7

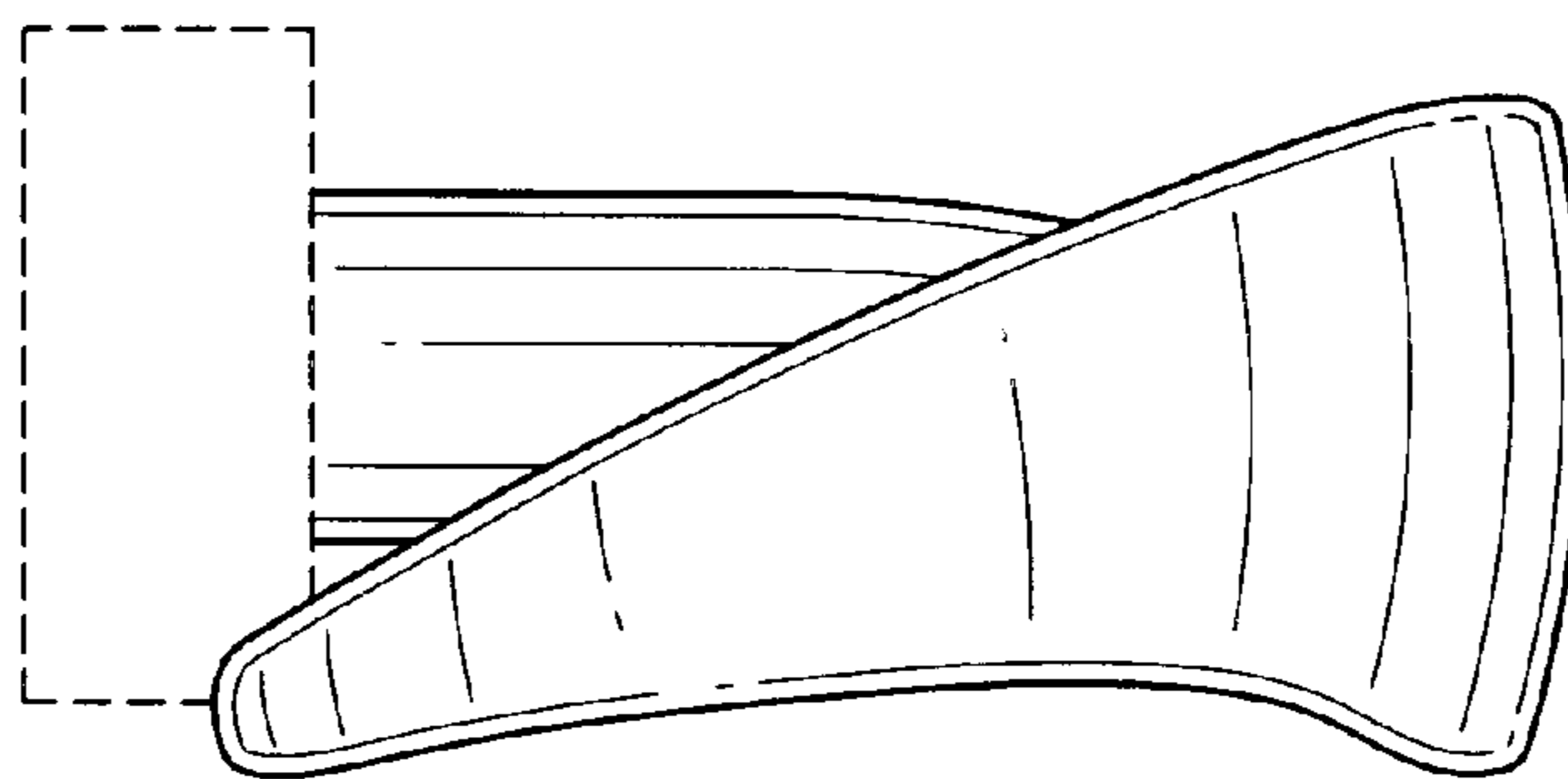


FIG. 8