



US00D483841S

(12) **United States Design Patent**
Piano

(10) **Patent No.:** **US D483,841 S**

(45) **Date of Patent:** **** Dec. 16, 2003**

(54) **WALL HUNG TOILET BOWL**

(75) Inventor: **Matteo Piano**, Genoa (IT)

(73) Assignee: **American Standard International Inc.**, New York, NY (US)

(**) Term: **14 Years**

(21) Appl. No.: **29/138,773**

(22) Filed: **Mar. 20, 2001**

(30) **Foreign Application Priority Data**

Sep. 29, 2000 (IT) RE0000012

(51) **LOC (7) Cl.** **23-02**

(52) **U.S. Cl.** **D23/300**

(58) **Field of Search** D23/295-300,
D23/303, 309, 271-272; 4/663, 300, 300.3,
420, 420.2, 420.3, 443, 446, 252.2, 902,
DIG. 15

(56) **References Cited**

U.S. PATENT DOCUMENTS

D187,365 S * 3/1960 Young D23/300
D252,040 S * 6/1979 Morris et al. D23/274

OTHER PUBLICATIONS

American Standard Product Selection & Pricing Guide, Fixtures, LP-93-1: Afwall EL 1.3 toilet, p. 129; Afwall EL 1.6 elongatged toilet, p. 129A; Instanto EL 3.5+ toilet, p. 130. Jan., 1993.*

* cited by examiner

Primary Examiner—Louis S. Zarfes

Assistant Examiner—Robert A. Delehanty

(57) **CLAIM**

The ornamental design for a wall hung toilet bowl, as shown and described.

DESCRIPTION

FIG. 1 is a side elevational view of a wall hung toilet bowl showing our new design;

FIG. 2 is a front elevational view;

FIG. 3 is a top plan view;

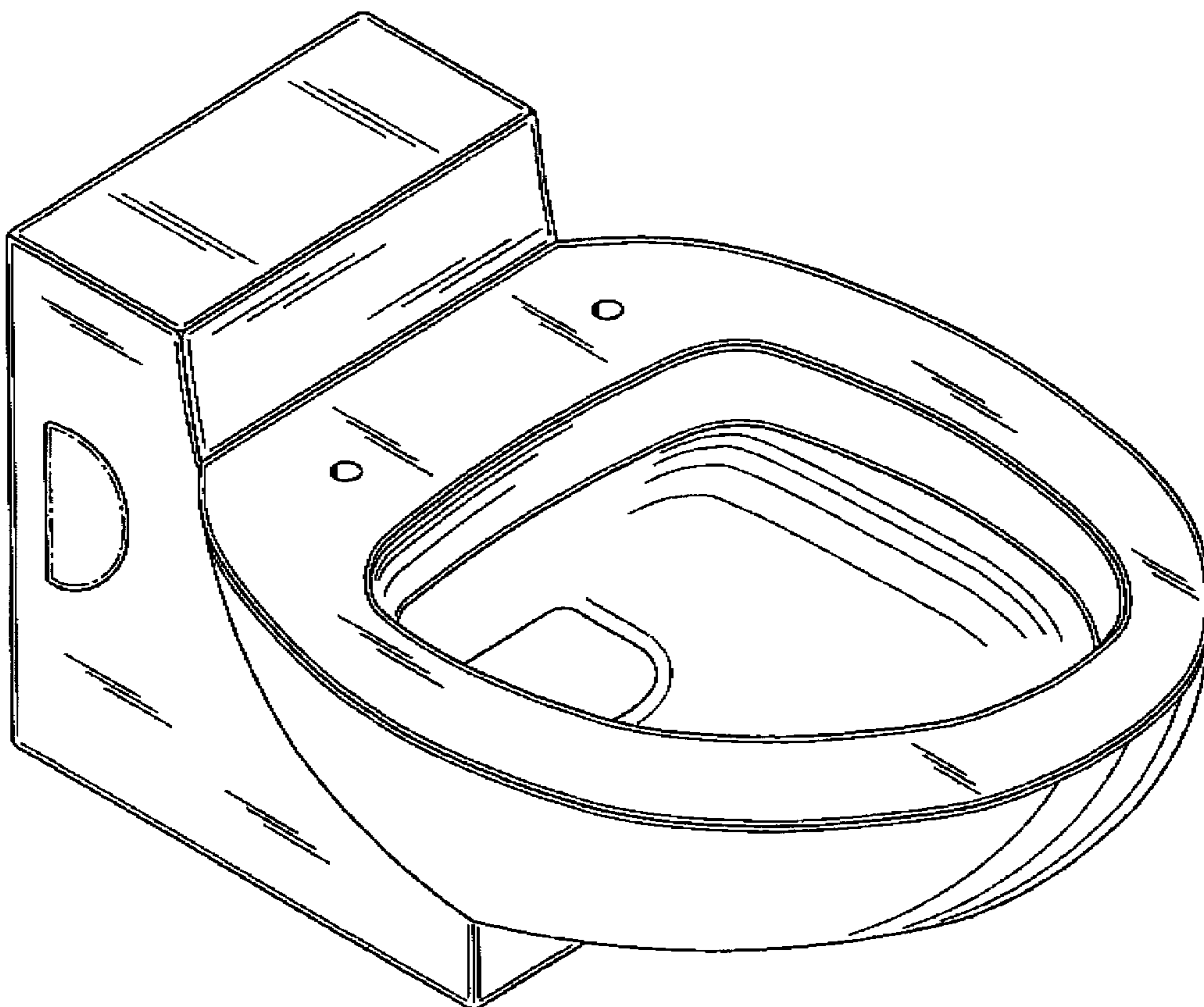
FIG. 4 is a bottom plan view;

FIG. 5 is a rear side elevation view; and,

FIG. 6 is a front, side, top perspective view.

The unshaded areas bounded by the broken lines in the drawing views define the bounds of the claimed design and form no part thereof.

1 Claim, 6 Drawing Sheets



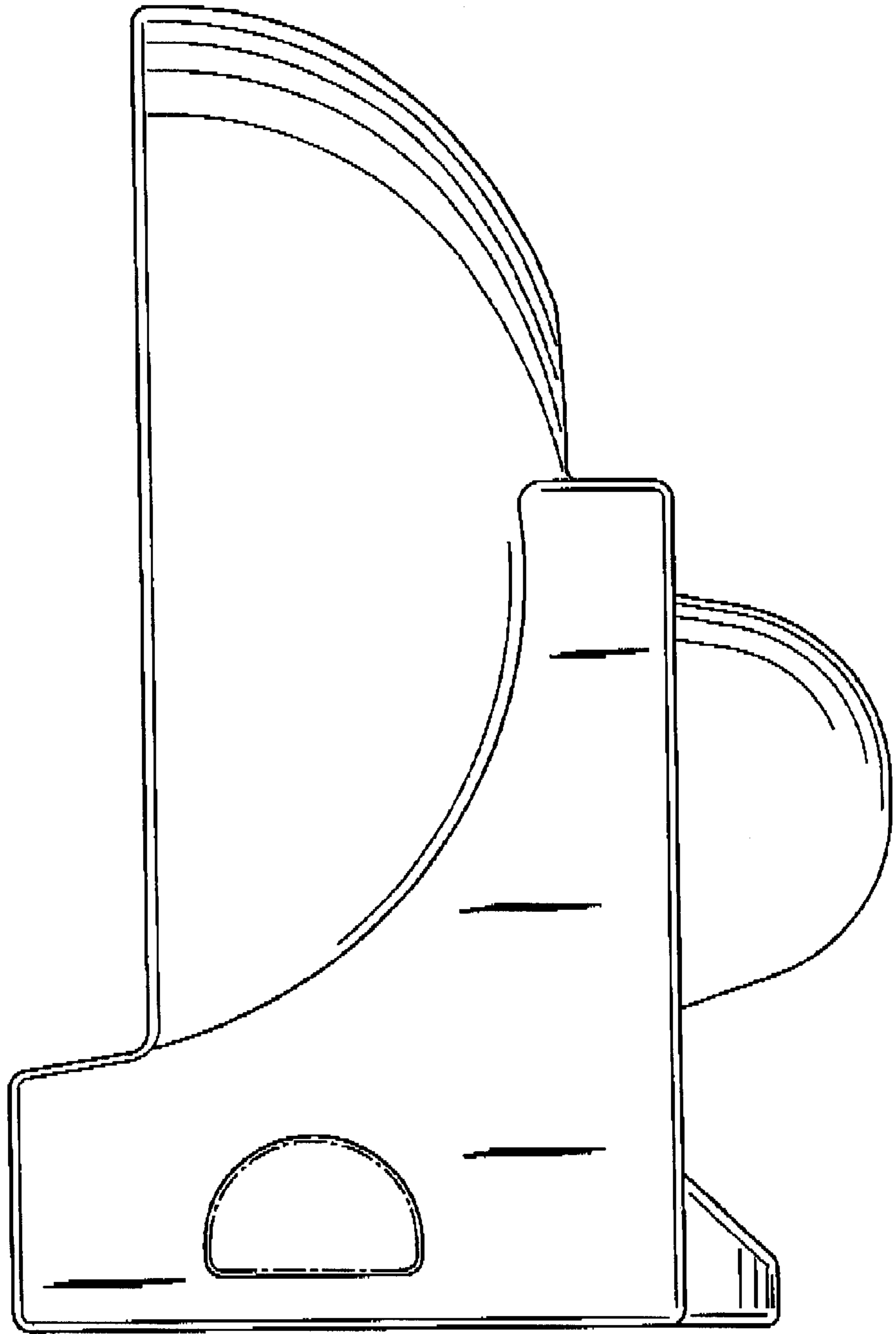


FIG. 1

FIG. 2

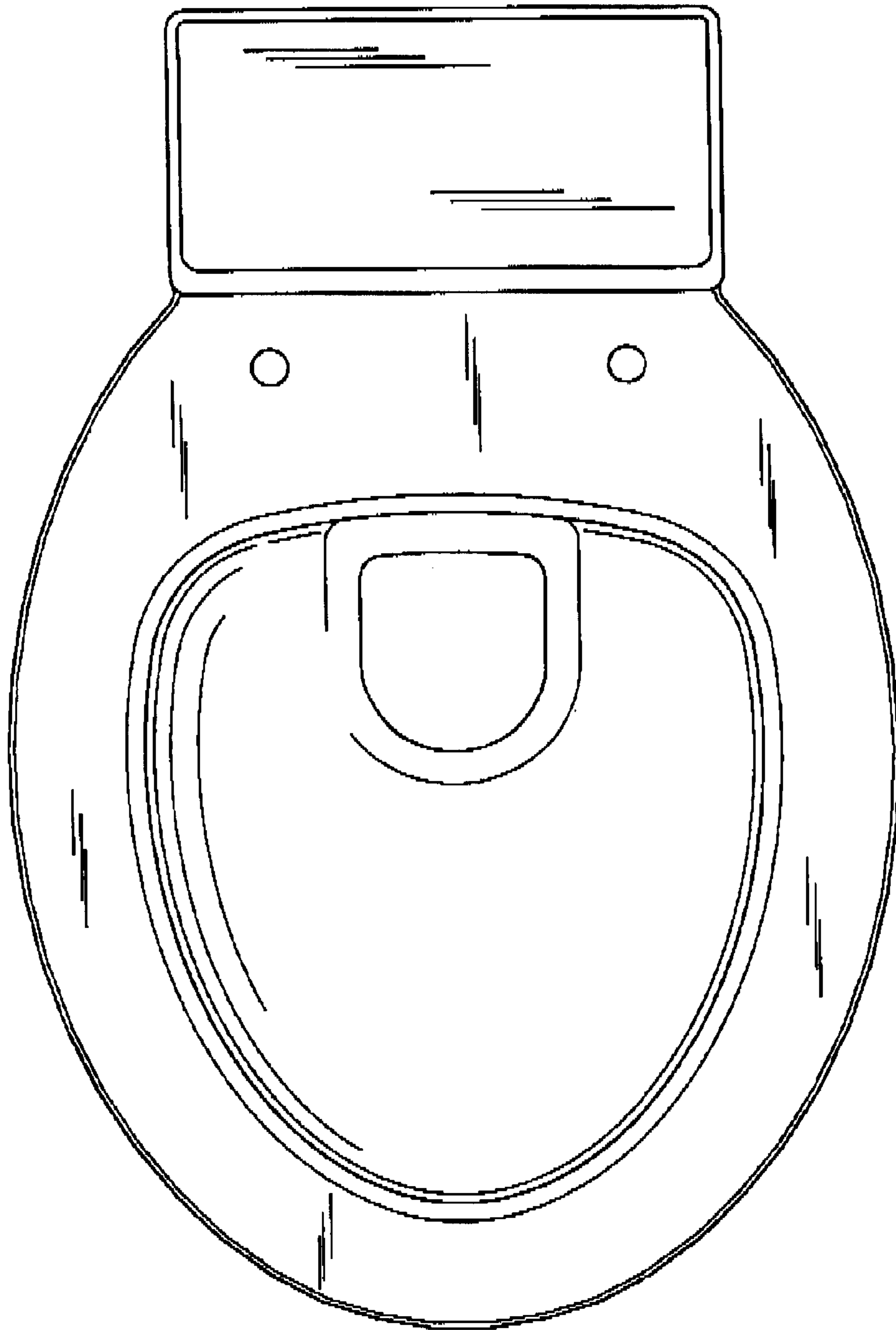


FIG. 3

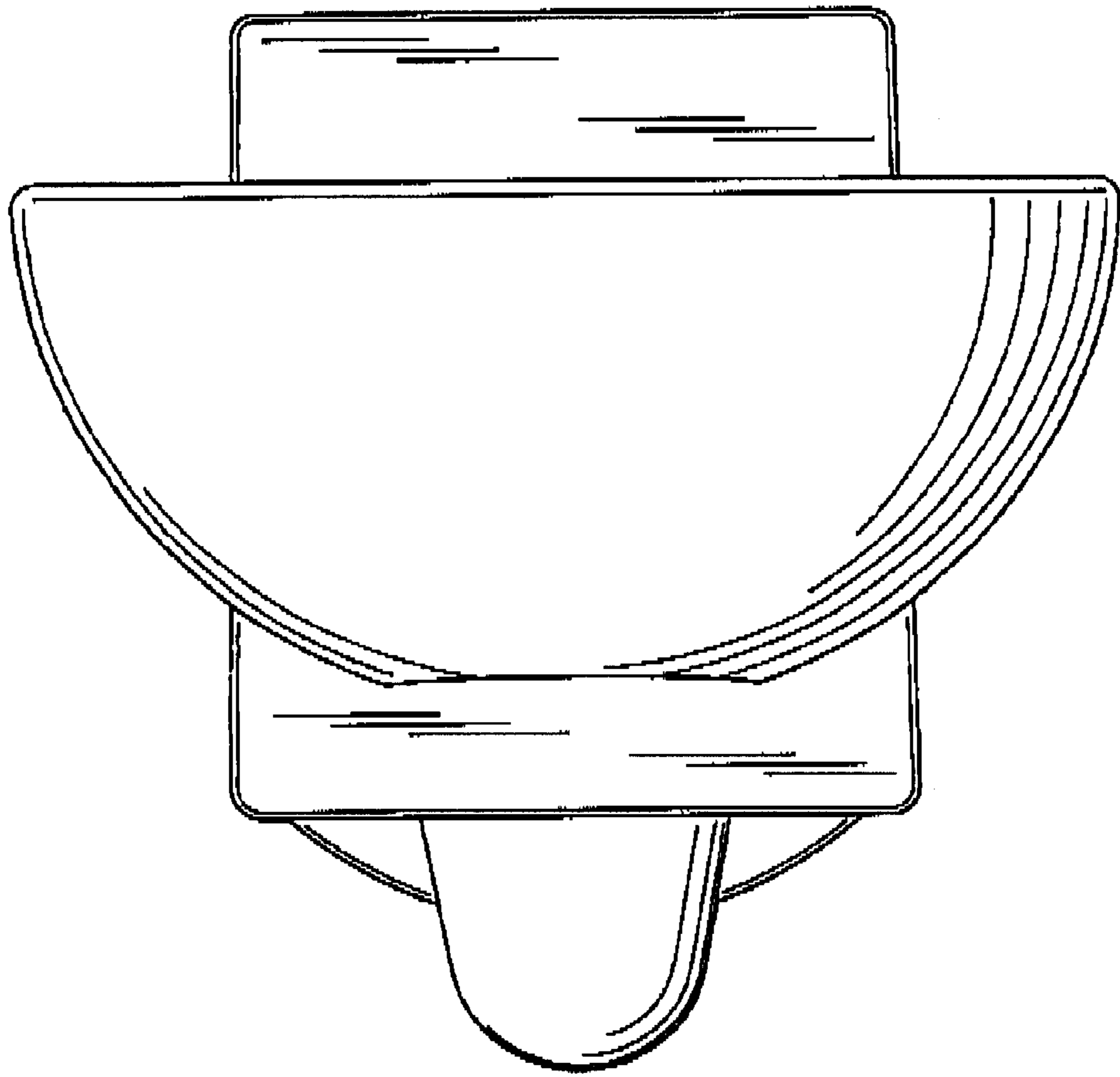


FIG. 4

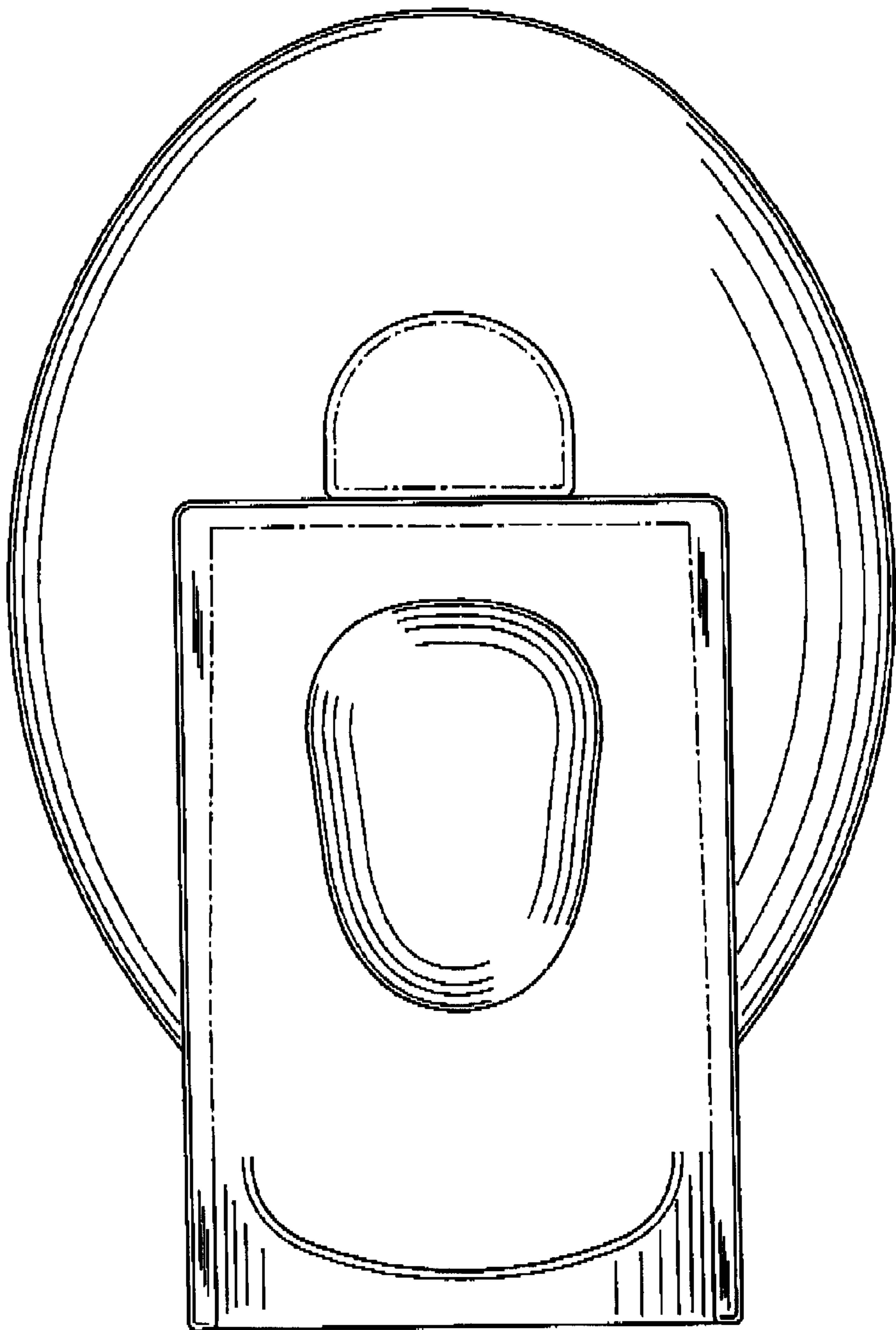
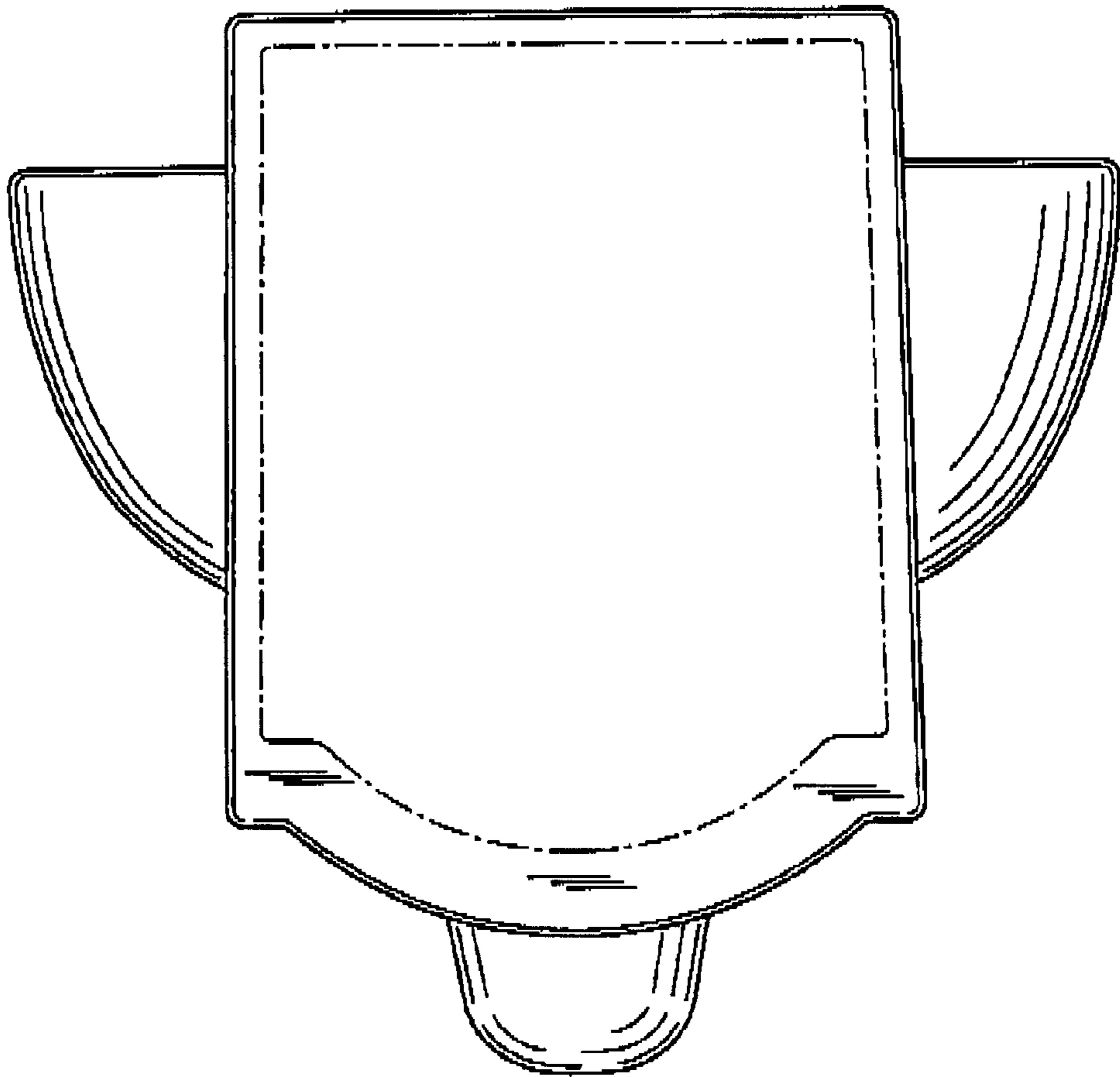


FIG. 5



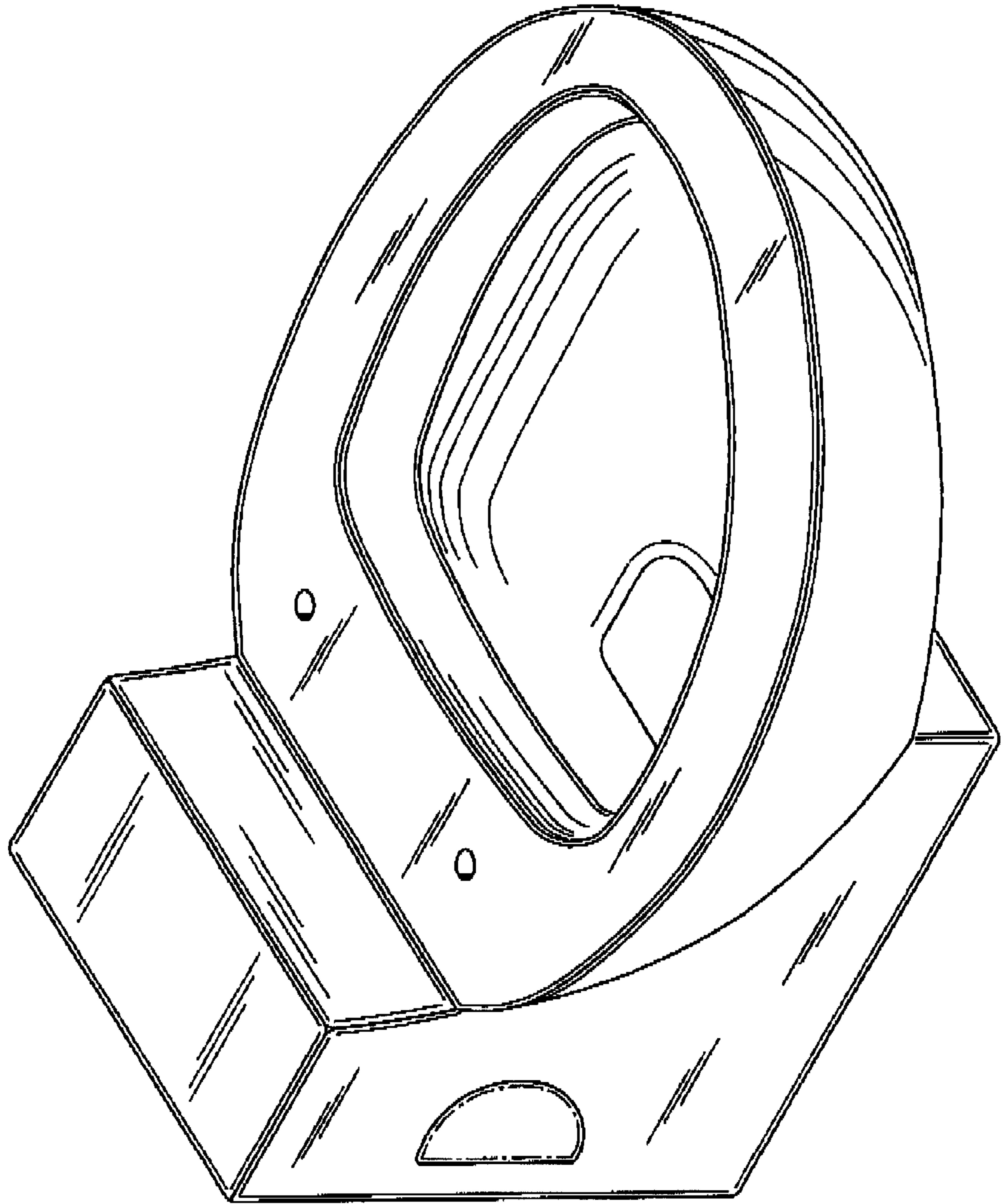


FIG. 6