



US00D483840S

(12) **United States Design Patent**
Molinaro

(10) **Patent No.:** **US D483,840 S**

(45) **Date of Patent:** **** Dec. 16, 2003**

(54) **LAY DOWN TUB**

(75) **Inventor:** **David P. Molinaro**, Diamond Bar, CA (US)

(73) **Assignee:** **Acorn Engineering Company**, City of Industry, CA (US)

(**) **Term:** **14 Years**

(21) **Appl. No.:** **29/179,155**

(22) **Filed:** **Apr. 4, 2003**

(51) **LOC (7) Cl.** **23-02**

(52) **U.S. Cl.** **D23/277**

(58) **Field of Search** D23/273, 276-277,
D23/280.1, 280.2, 280.3, 303-304, 284,
290.1; 4/538, 661

(56) **References Cited**

U.S. PATENT DOCUMENTS

| | | | |
|-------------|-----------|------------------|-------------------|
| 92,364 A | 7/1869 | Rider | |
| D7,106 S | 1/1874 | Mott | |
| 505,041 A | 9/1893 | Furgeson | |
| D24,889 S | 11/1895 | Marschuetz | |
| 1,325,423 A | 12/1919 | Stuart | |
| 1,704,639 A | 3/1929 | Thompson | |
| D90,640 S | 9/1933 | Yent | |
| 2,080,601 A | 5/1937 | Cappuccio | |
| D118,371 S | 1/1940 | Goeltz | |
| 3,132,349 A | 5/1964 | Strouse | |
| D216,466 S | 1/1970 | Armstrong et al. | |
| D229,180 S | * 11/1973 | Mollerstedt | D23/280 |
| 4,119,686 A | 10/1978 | Conger, IV | |
| D258,610 S | 3/1981 | Tulipani | |
| D265,923 S | 8/1982 | Cuttriss | |
| D271,995 S | * 12/1983 | Topete | D23/280.1 X |

| | | | |
|-------------|-----------|-----------------|---------------|
| D282,498 S | 2/1986 | Hasse | |
| 4,858,254 A | 8/1989 | Popovich et al. | |
| 5,408,707 A | 4/1995 | Wilson | |
| 5,444,879 A | 8/1995 | Holtsnider | |
| D368,530 S | 4/1996 | Lawing et al. | |
| D382,945 S | 8/1997 | Hansen et al. | |
| D391,353 S | * 2/1998 | McKeone | D23/284 |
| 5,898,957 A | 5/1999 | Hansen et al. | |
| D415,261 S | * 10/1999 | Thomas | D23/284 |
| 6,112,930 A | 9/2000 | McAtarian | |
| D444,861 S | 7/2001 | Smith | |

* cited by examiner

Primary Examiner—Louis S. Zarfaz

Assistant Examiner—Robert A. Delehanty

(74) *Attorney, Agent, or Firm*—Michael Best & Friedrich LLP

(57) **CLAIM**

I claim the ornamental design for a lay down tub, as shown and described.

DESCRIPTION

FIG. 1 is a top perspective view of a lay down tub embodying the invention.

FIG. 2 is a side view of the lay down tub shown in FIG. 1, the opposite side view being a mirror image thereof.

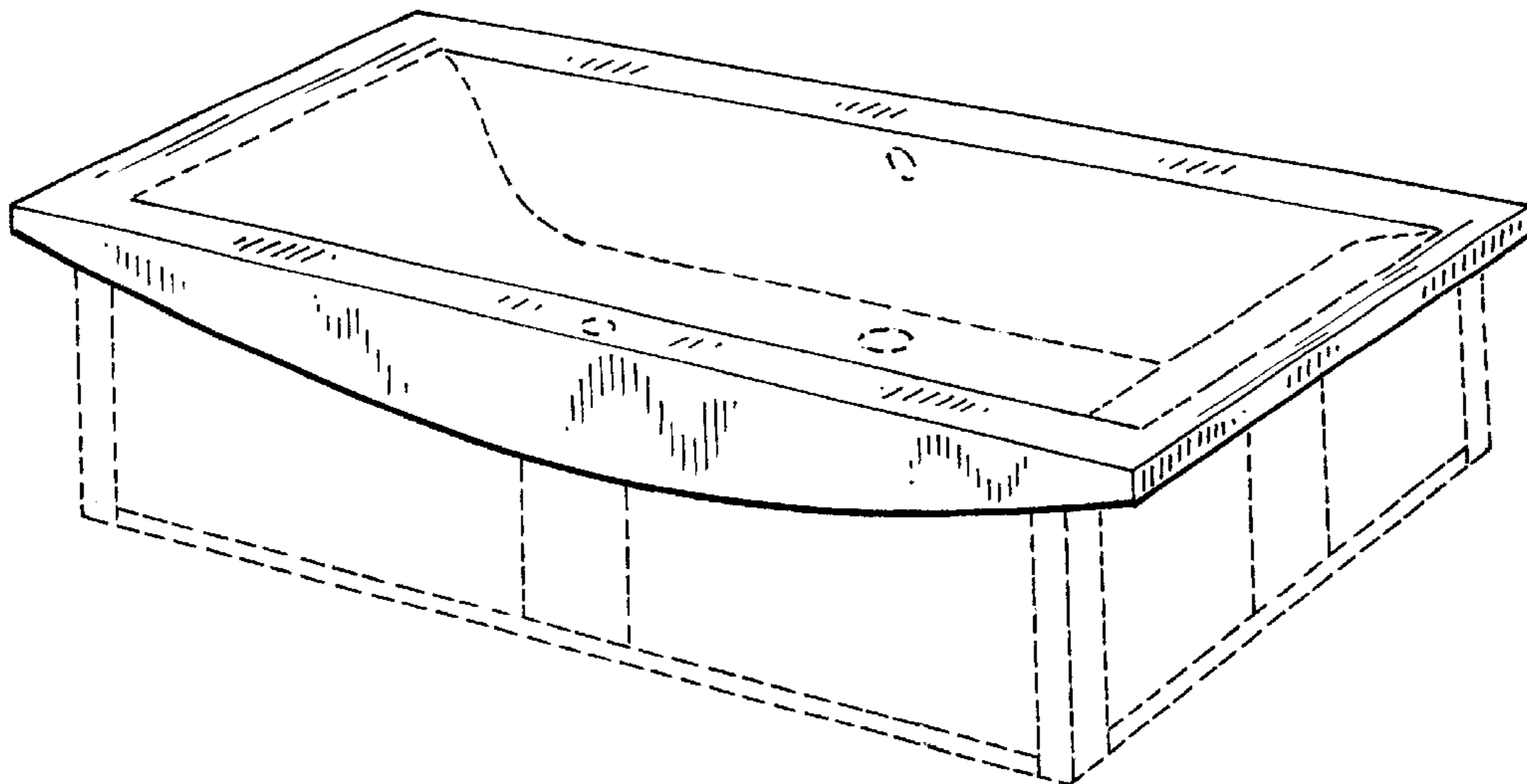
FIG. 3 is a top view of the lay down tub shown in FIG. 1; and,

FIG. 4 is an end view of the lay down tub shown in FIG. 1, the opposite end view being a mirror image thereof.

The broken line showing of the environment is for illustrative purposes only and forms no part of the claimed design.

The broken lines which define the boundaries of the claimed design form no part thereof.

1 Claim, 2 Drawing Sheets



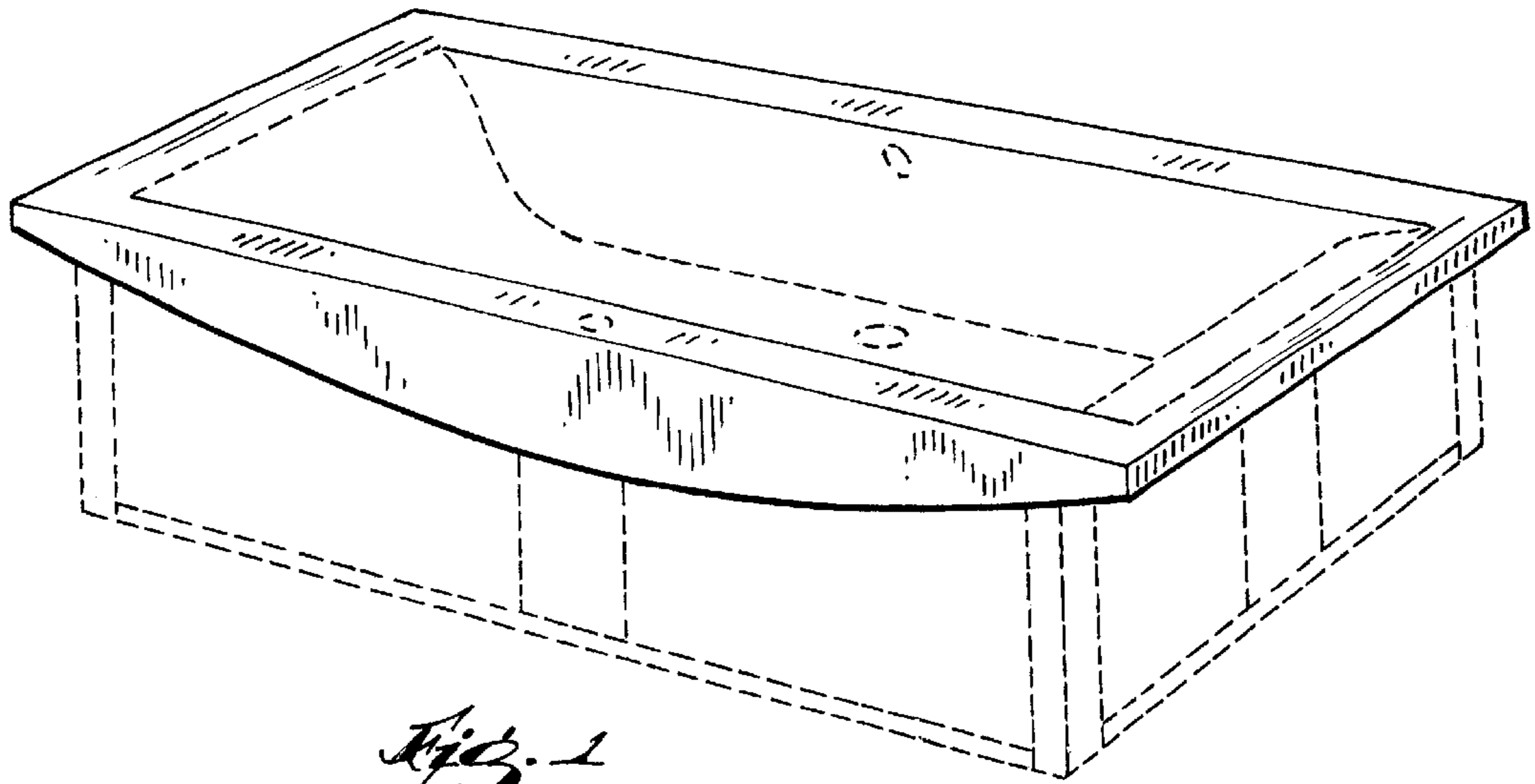


Fig. 1

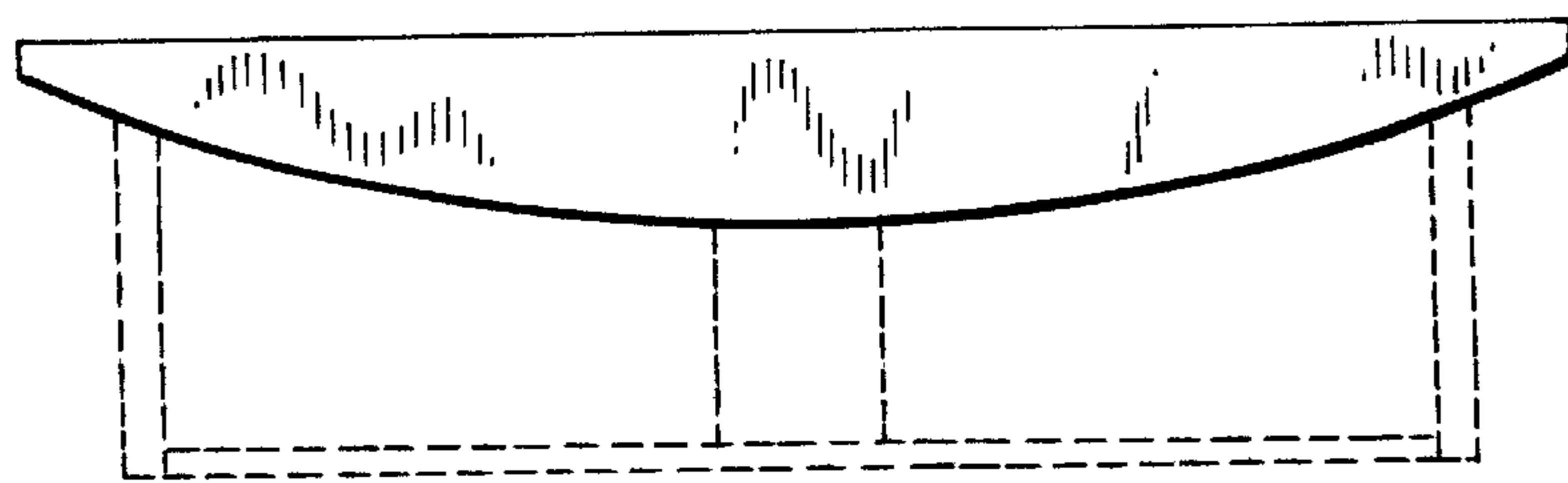


Fig. 2

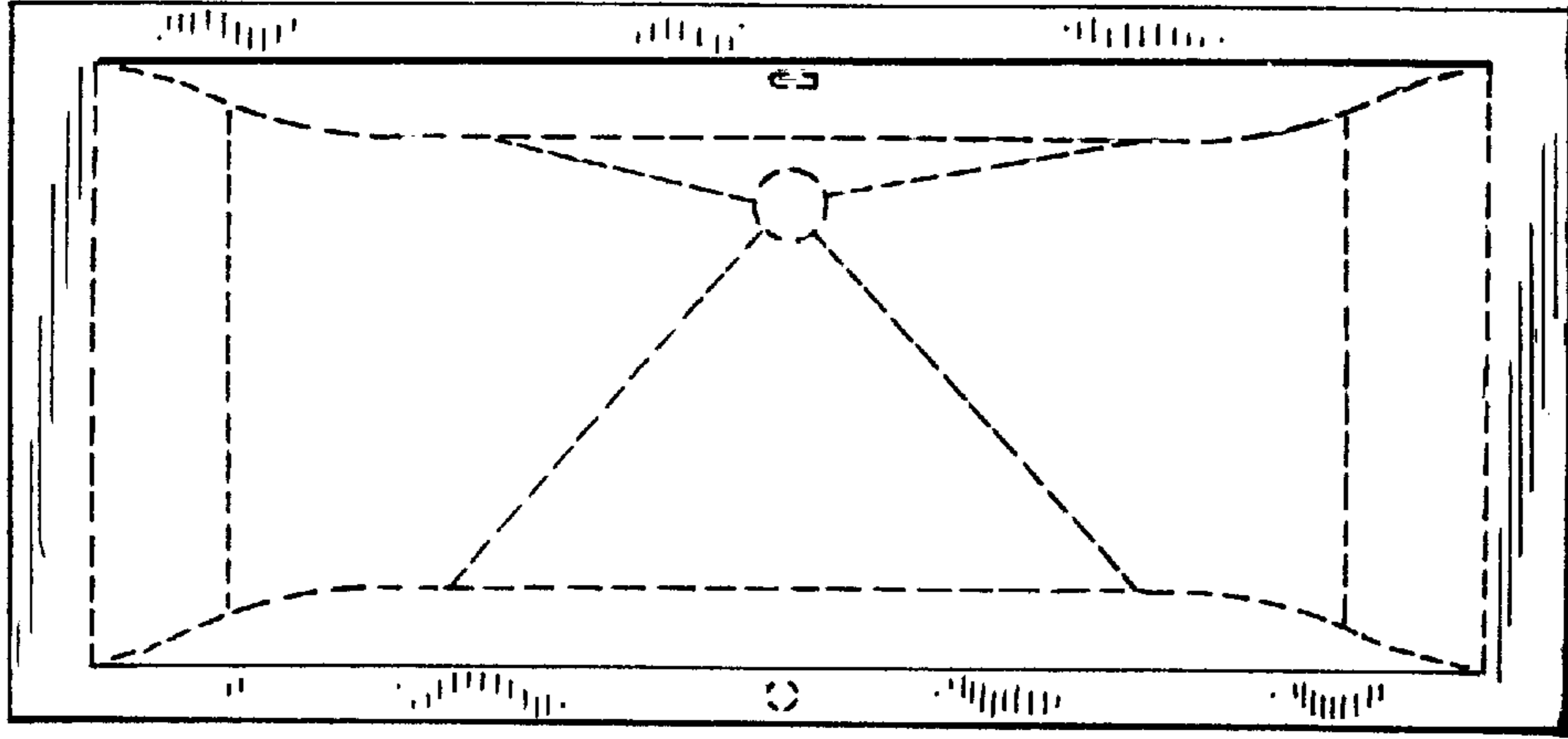


Fig. 3

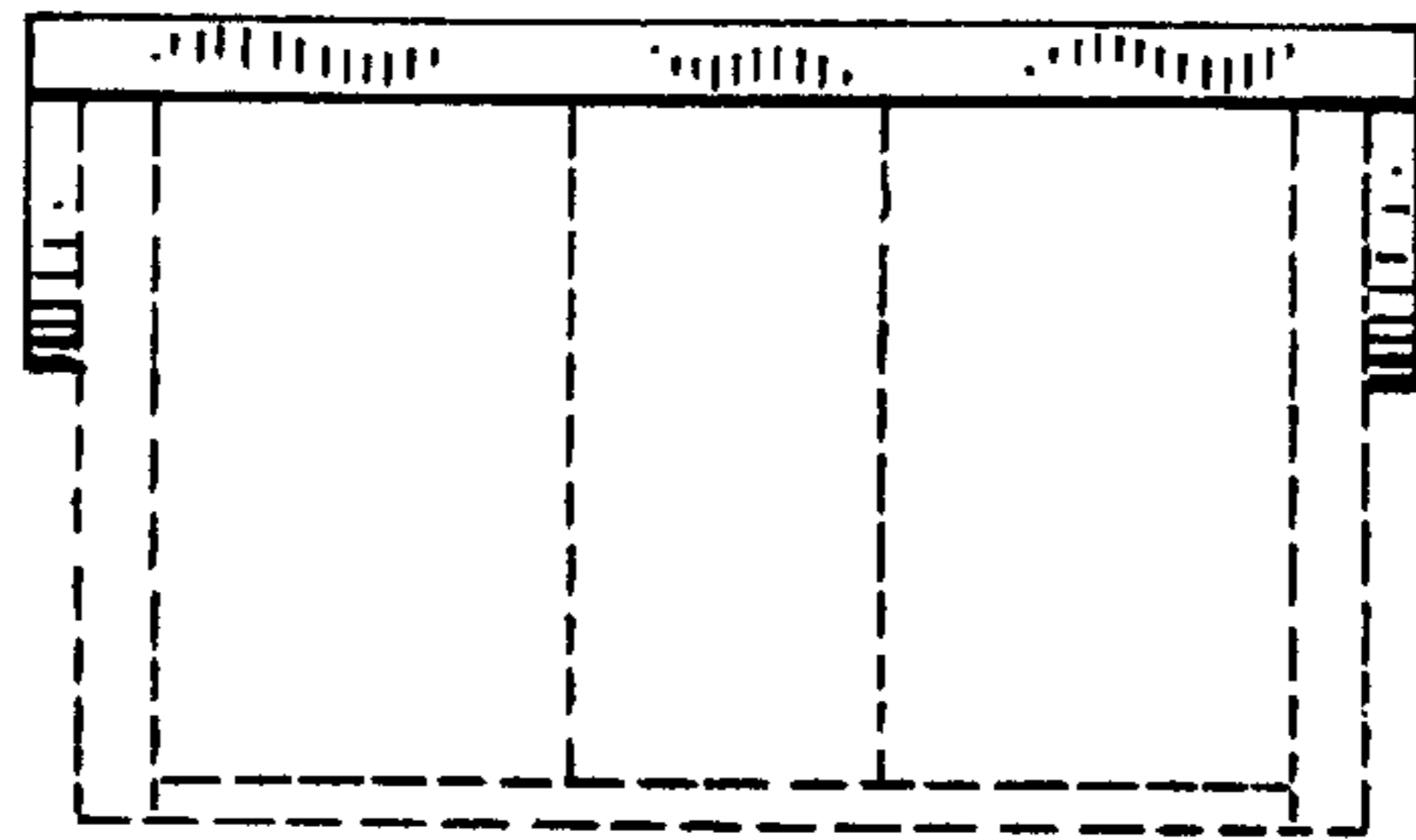


Fig. 4