



US00D483838S

(12) **United States Design Patent**  
**Haug et al.**

(10) **Patent No.:** **US D483,838 S**

(45) **Date of Patent:** **\*\* Dec. 16, 2003**

(54) **SHOWER HEAD, ESPECIALLY FOR BODY SHOWERS**

D447,218 S \* 8/2001 Kollmann et al. .... D23/229  
D451,172 S \* 11/2001 Lindholm et al. .... D23/229  
D463,844 S \* 10/2002 Farley ..... D23/229

(75) Inventors: **Andreas Haug**, Stuttgart (DE); **Tom Schönherr**, Stuttgart (DE); **Fabian Kollmann**, Stuttgart (DE)

**OTHER PUBLICATIONS**

GROHE catalog "Faucets and shower products", one page, 2000.

HANSA catalog "HANSA fur das Bad", p. 68, 1999.

\* cited by examiner

*Primary Examiner*—Robin V. Taylor

(74) *Attorney, Agent, or Firm*—Duane Morris LLP

(73) Assignee: **Hansgrohe AG**, Schiltach (DE)

(\*\*) Term: **14 Years**

(21) Appl. No.: **29/178,350**

(22) Filed: **Mar. 25, 2003**

(30) **Foreign Application Priority Data**

Sep. 26, 2002 (DE) ..... 402 08 058

(51) **LOC (7) Cl.** ..... **23-01**

(52) **U.S. Cl.** ..... **D23/229**

(58) **Field of Search** ..... D23/213, 229,  
D23/230; 239/282, 283, 548

**CLAIM**

The ornamental design for a shower head, especially for body showers, as shown and described.

**DESCRIPTION**

FIG. 1: is a side perspective view of the shower head, especially for body showers showing our new design;

FIG. 2: is a rear elevation view thereof;

FIG. 3: front elevation view thereof;

FIG. 4: is a side elevation view thereof (the opposite side being a mirror image);

FIG. 5: is a bottom plan view thereof; and,

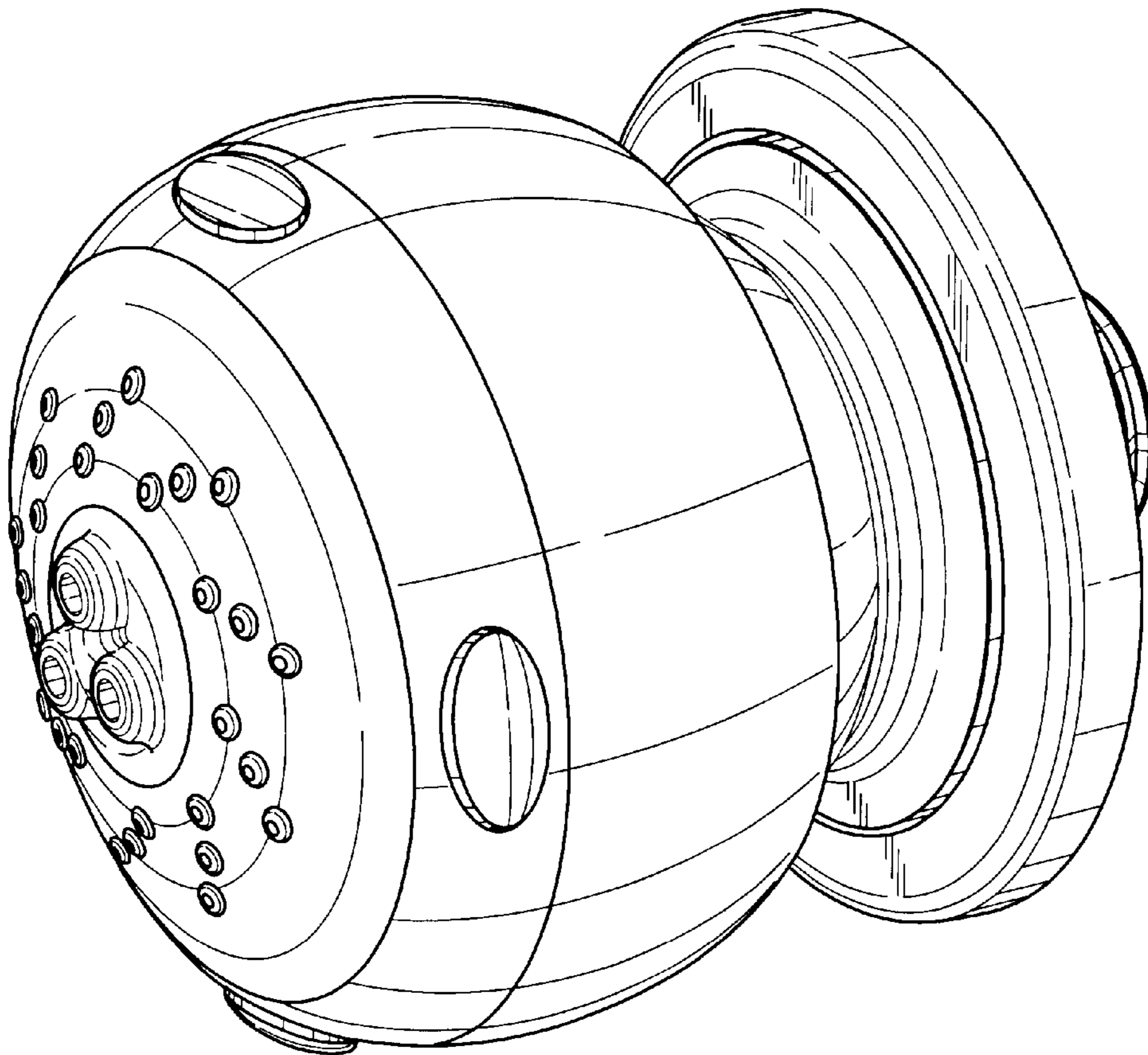
FIG. 6: is a top plan view thereof.

(56) **References Cited**

**U.S. PATENT DOCUMENTS**

D394,897 S \* 6/1998 Chan ..... D23/213  
D432,210 S \* 10/2000 Tse ..... D23/229  
D443,027 S \* 5/2001 Kollmann et al. .... D23/229

**1 Claim, 3 Drawing Sheets**



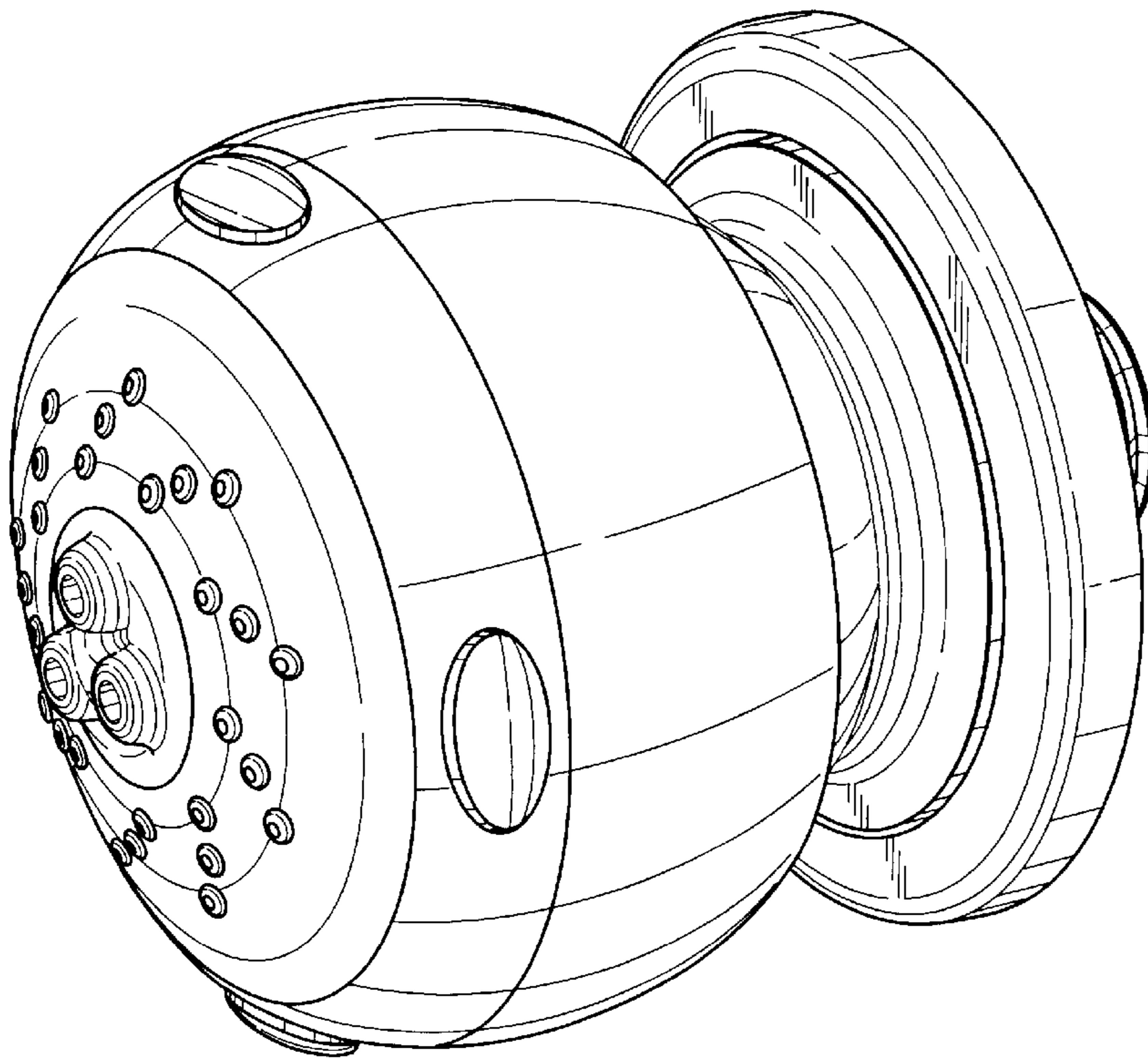


FIG. 1

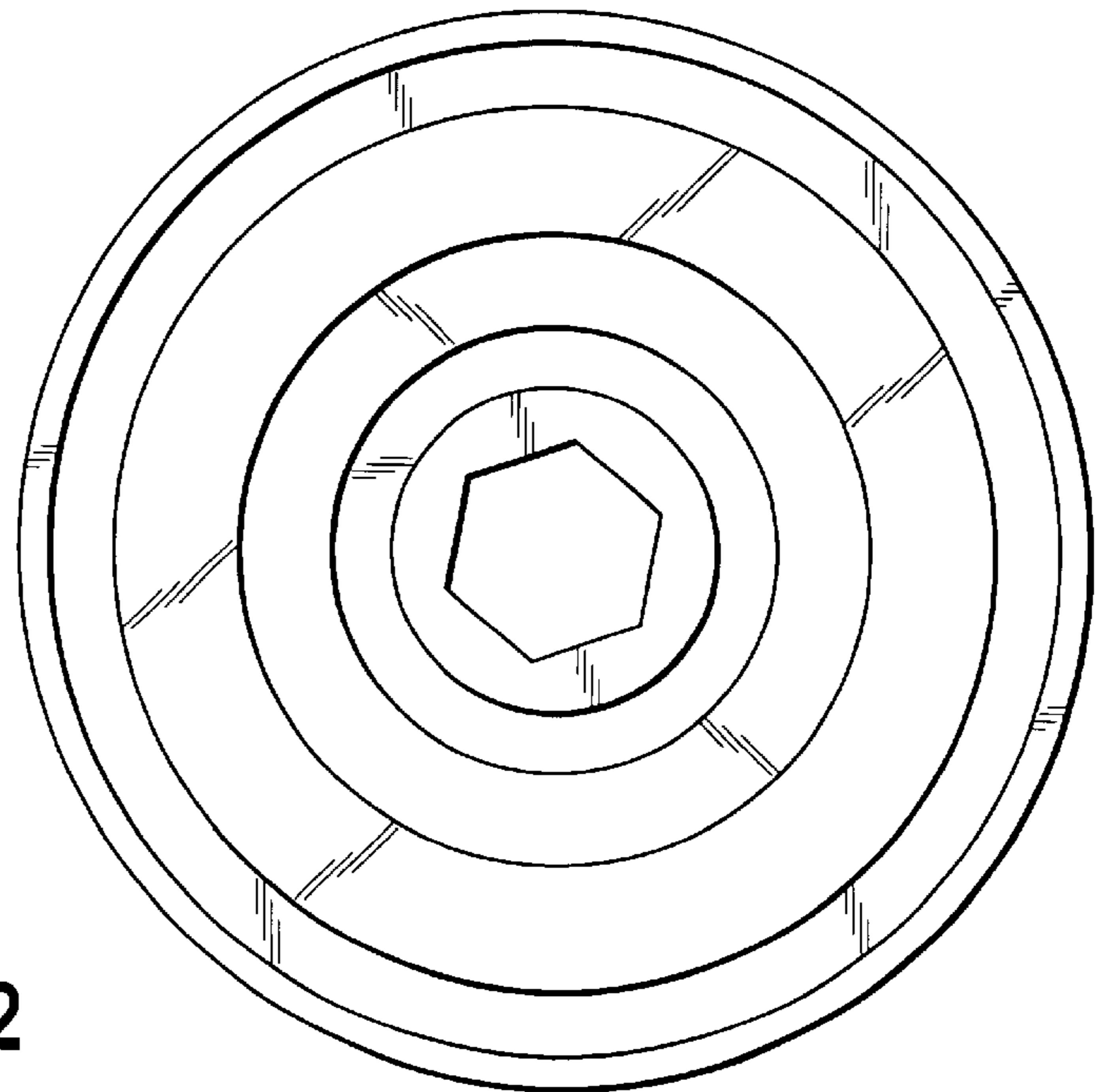


FIG. 2

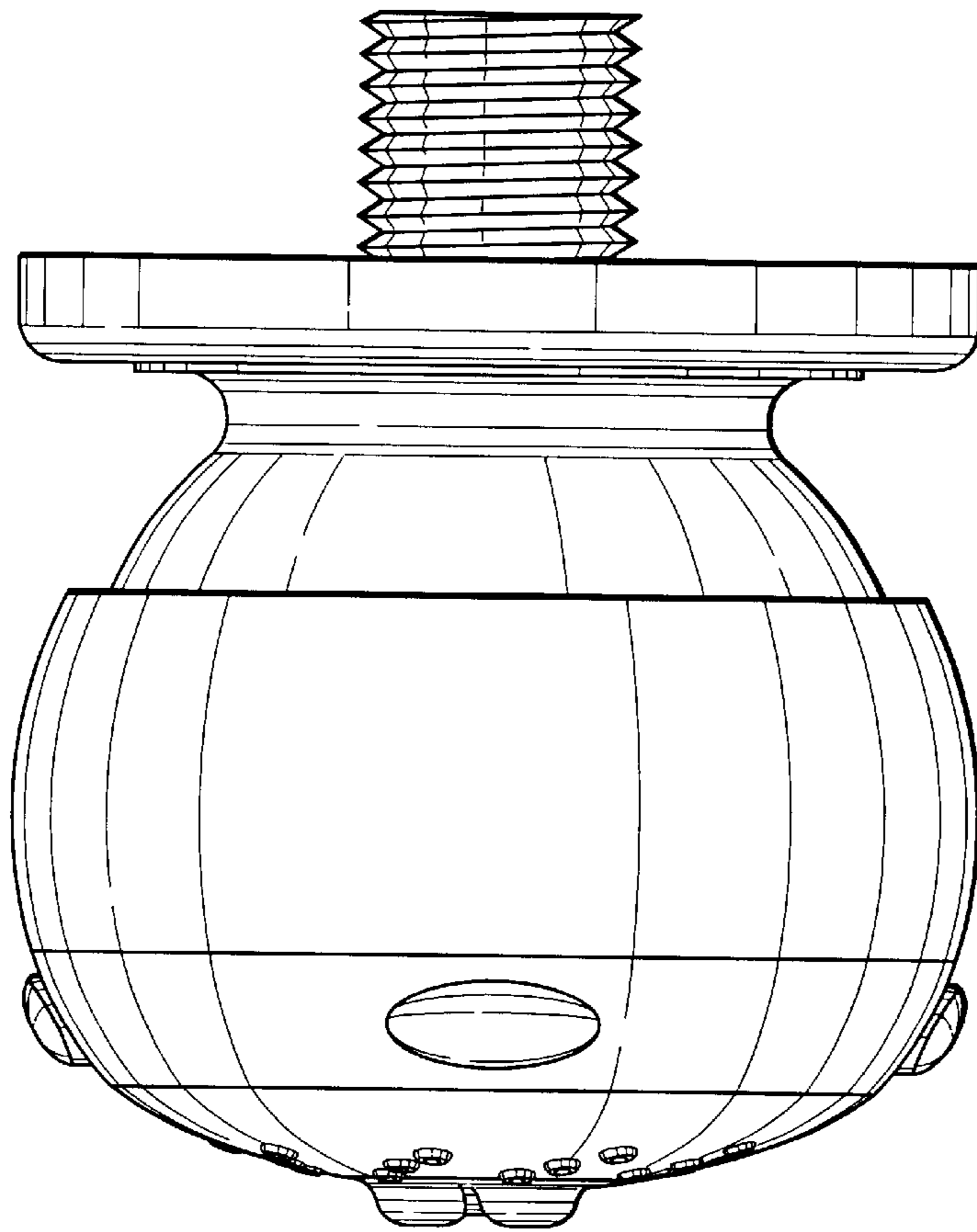


FIG. 4

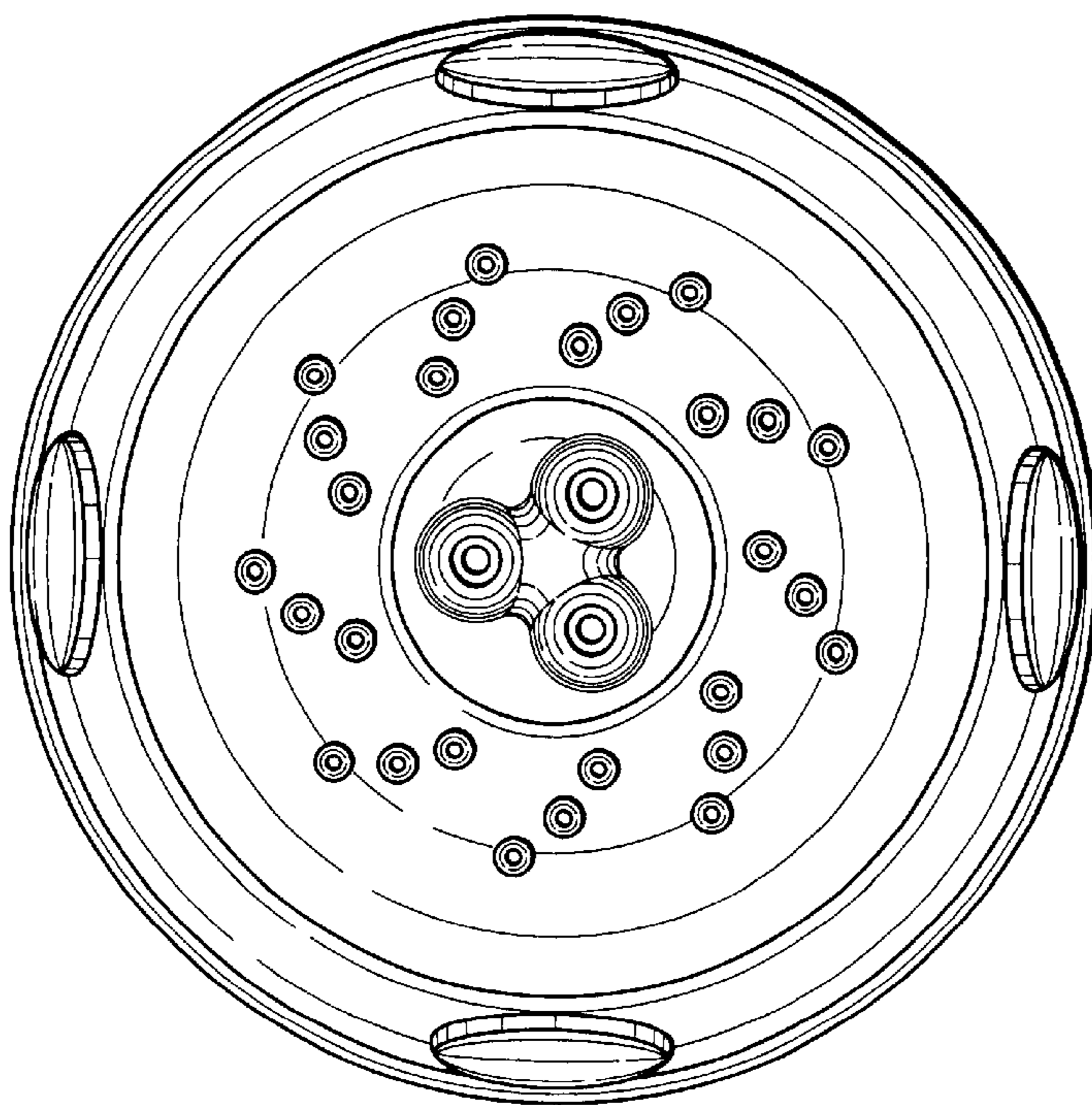


FIG. 3

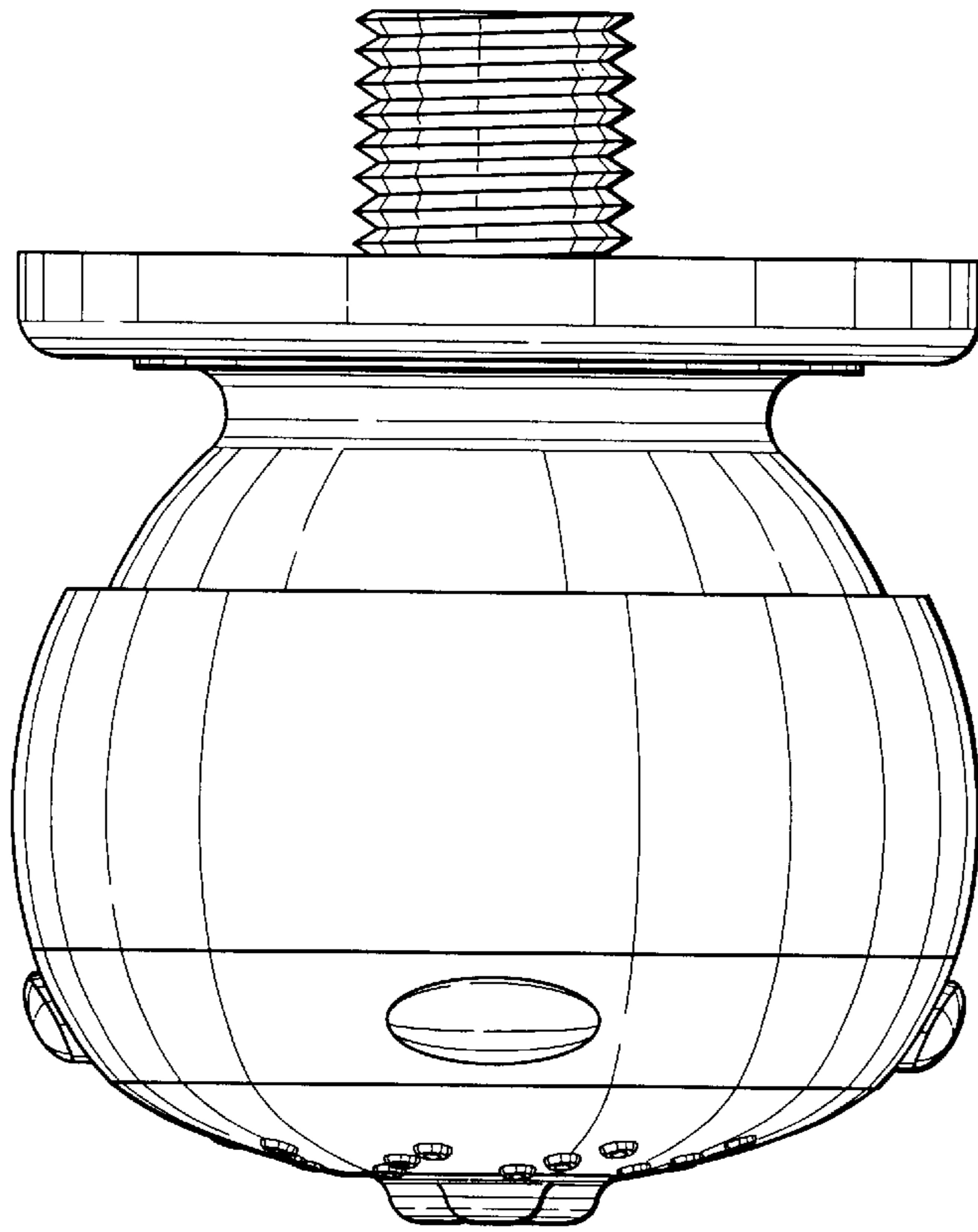


FIG. 5

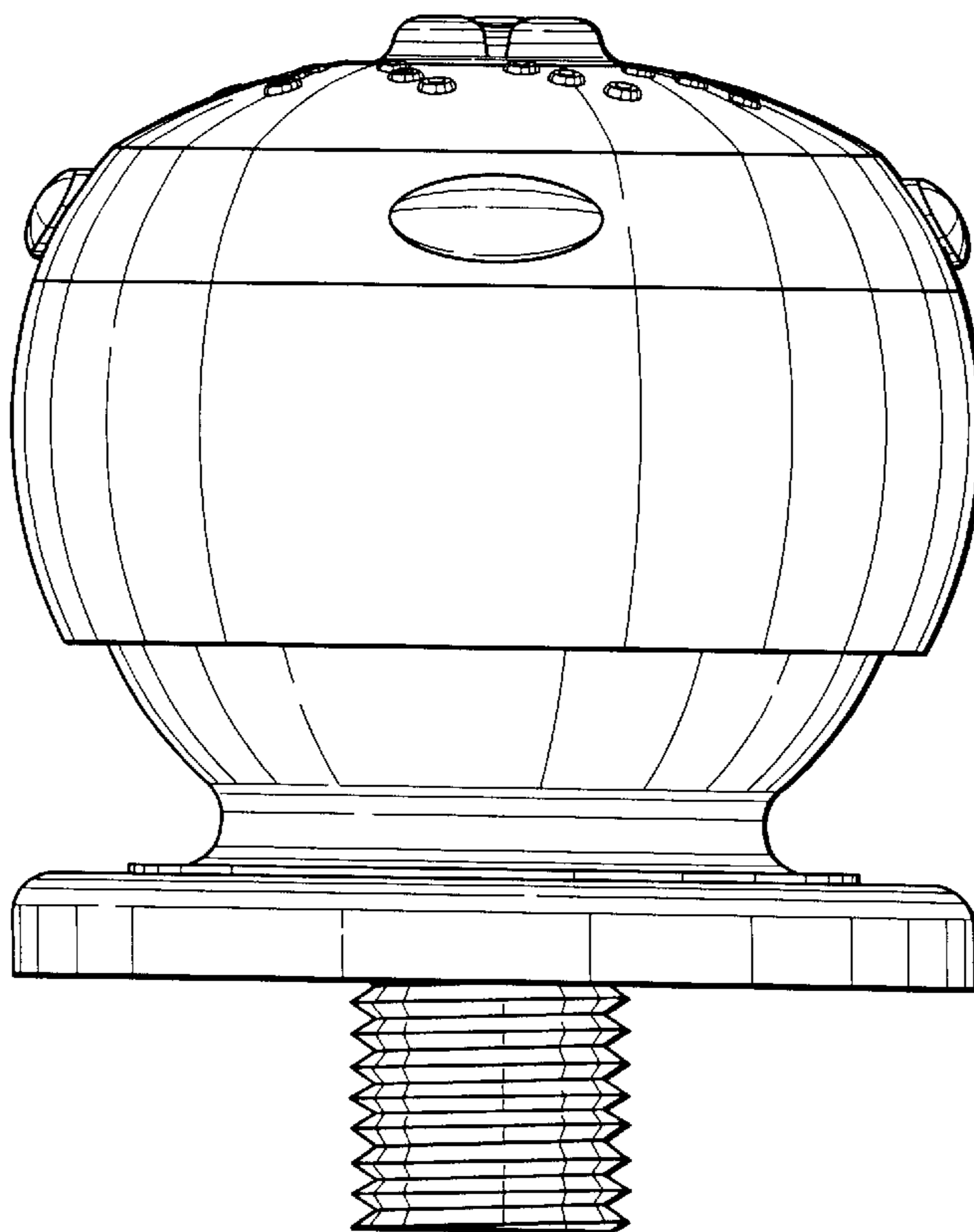


FIG. 6