



US00D483837S

(12) **United States Design Patent**
Fan

(10) **Patent No.:** **US D483,837 S**

(45) **Date of Patent:** **** Dec. 16, 2003**

(54) **SHOWER HEAD**

5,564,139 A * 10/1996 Shorr 4/601
D386,567 S * 11/1997 Reeves D23/213

(76) Inventor: **Chen-Yueh Fan**, Room F/23, 4th Fl.,
No. 5, Sec. 5, Hsinyi Rd., Taipei (TW)

* cited by examiner

(**) Term: **14 Years**

Primary Examiner—Robin V. Taylor

(74) *Attorney, Agent, or Firm*—Rosenberg, Klein & Lee

(21) Appl. No.: **29/173,726**

(57) **CLAIM**

(22) Filed: **Jan. 6, 2003**

The ornamental design for a shower head, as shown.

(51) **LOC (7) Cl.** **23-01**

DESCRIPTION

(52) **U.S. Cl.** **D23/213**

(58) **Field of Search** D23/213, 229,
D23/230; 4/601, 614; 239/548, 282, 283,
76

FIG. 1 is a perspective view of a shower head, showing my new design;

FIG. 2 is a front elevational view thereof;

FIG. 3 is a rear elevational view thereof;

FIG. 4 is a left elevational view thereof;

FIG. 5 is a right elevational view thereof;

FIG. 6 is top plan view thereof; and,

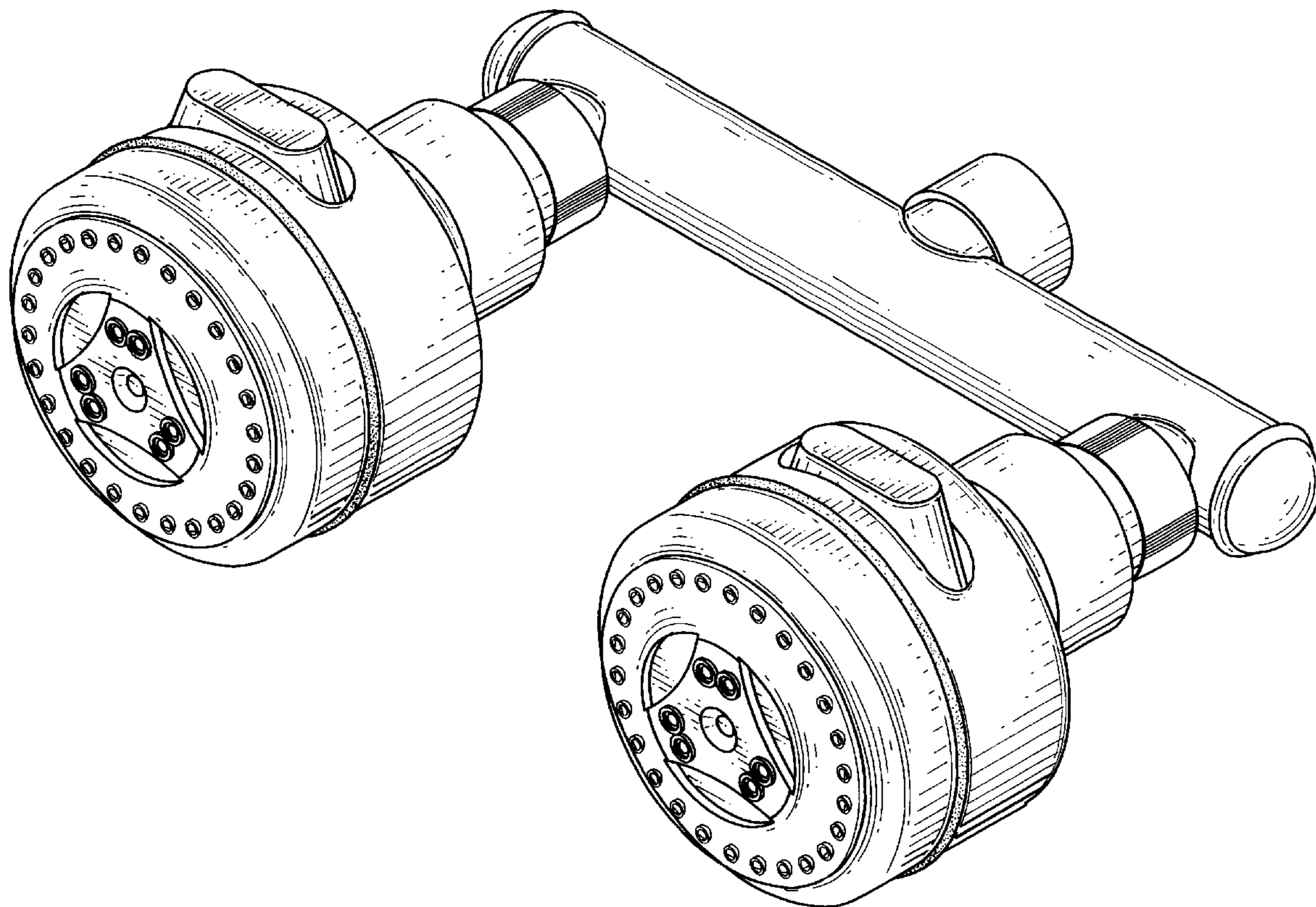
FIG. 7 is a bottom plan view thereof.

(56) **References Cited**

U.S. PATENT DOCUMENTS

D299,850 S * 2/1989 Feher et al. D23/229
D326,310 S * 5/1992 Francoeur D23/213
D329,276 S * 9/1992 Blake D23/213

1 Claim, 4 Drawing Sheets



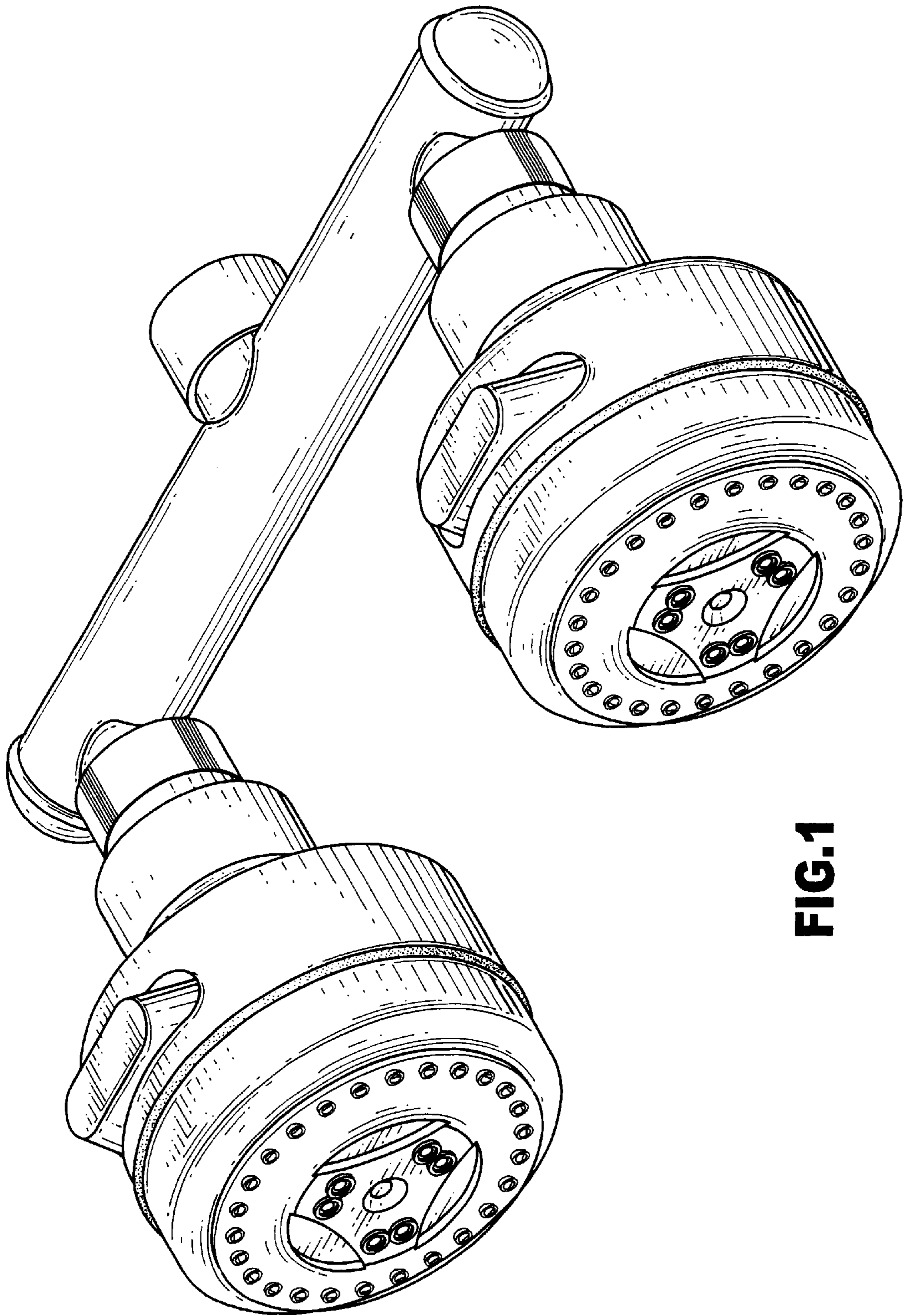


FIG.1

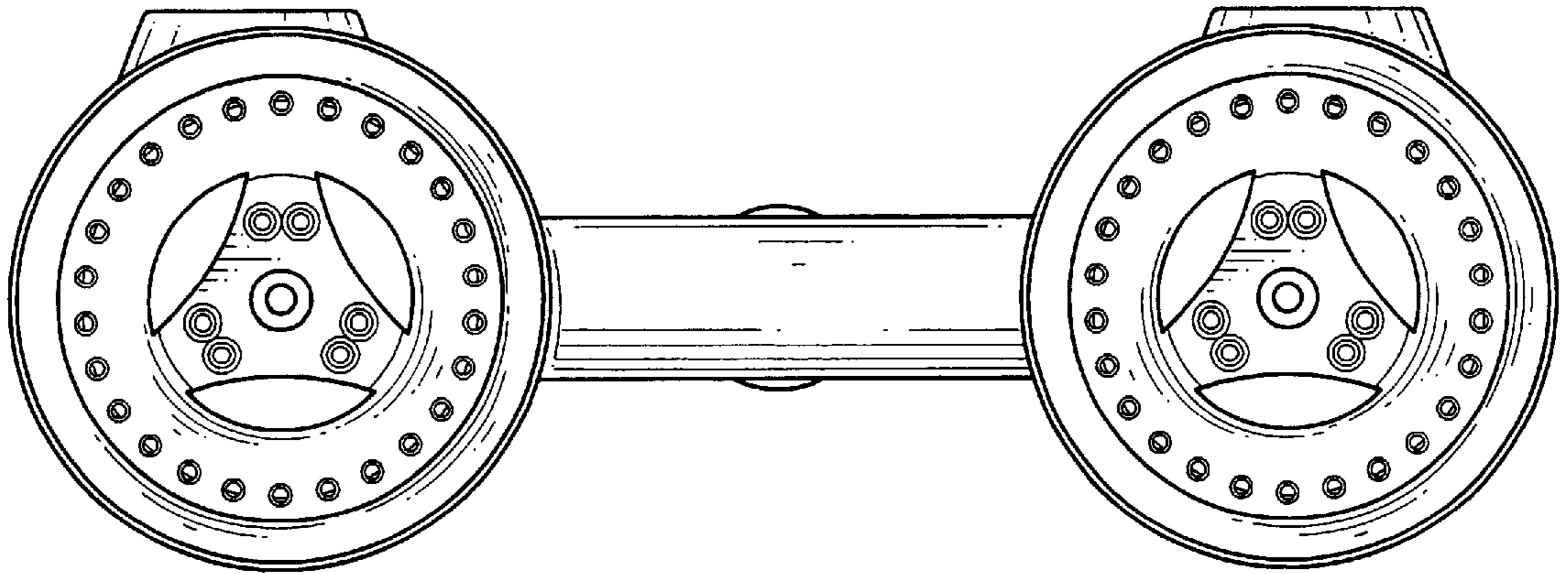


FIG. 2

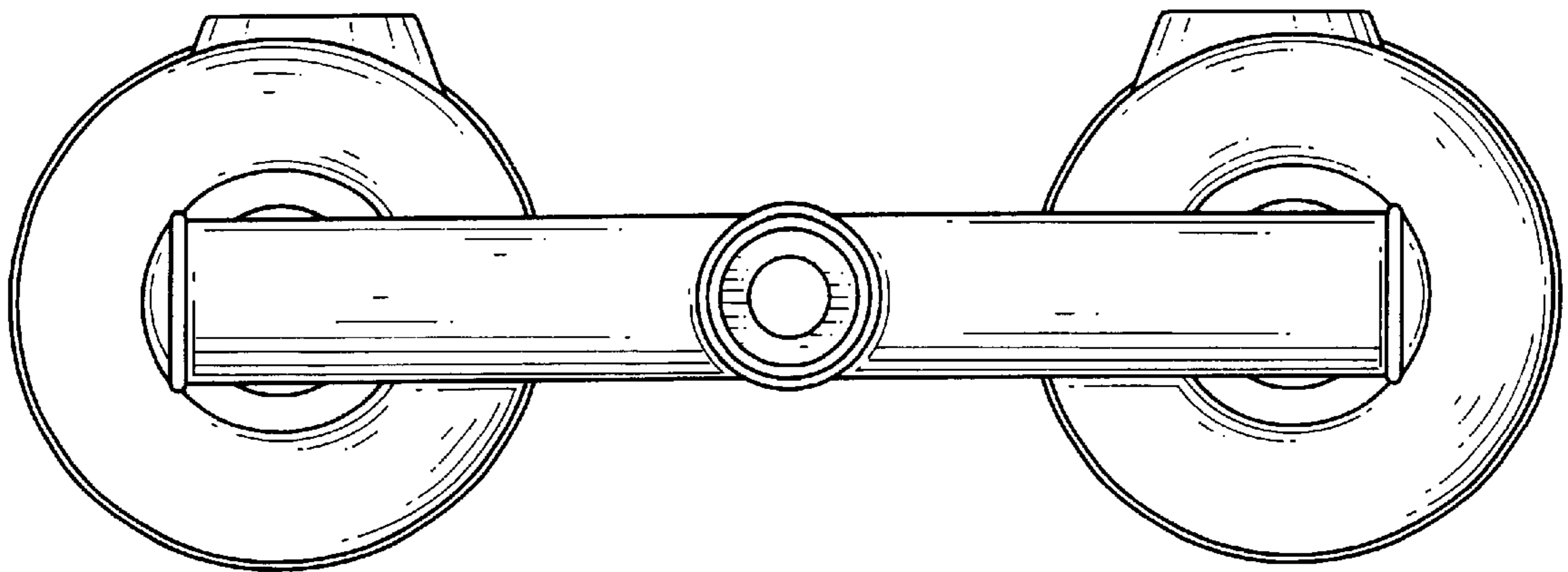


FIG. 3

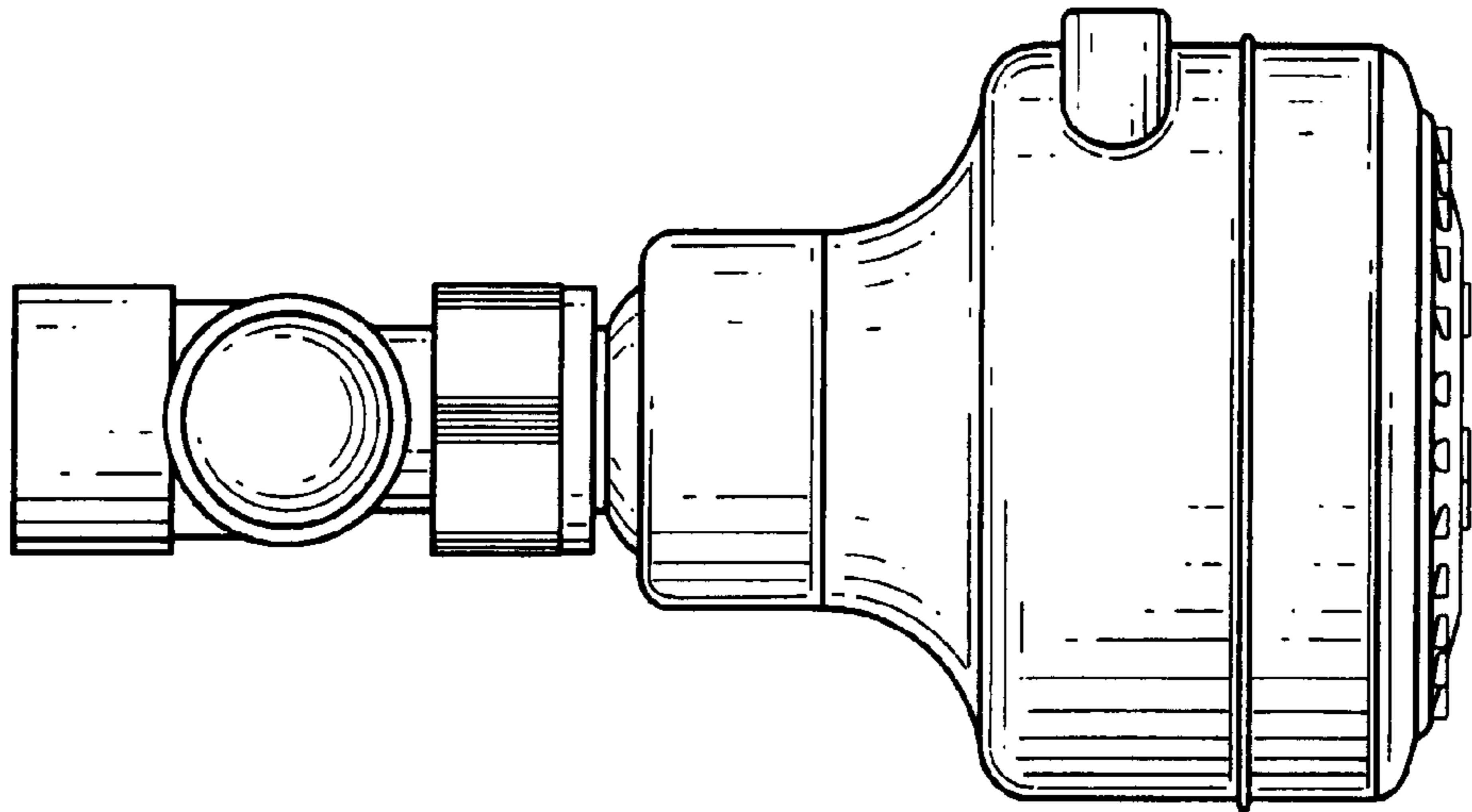


FIG.4

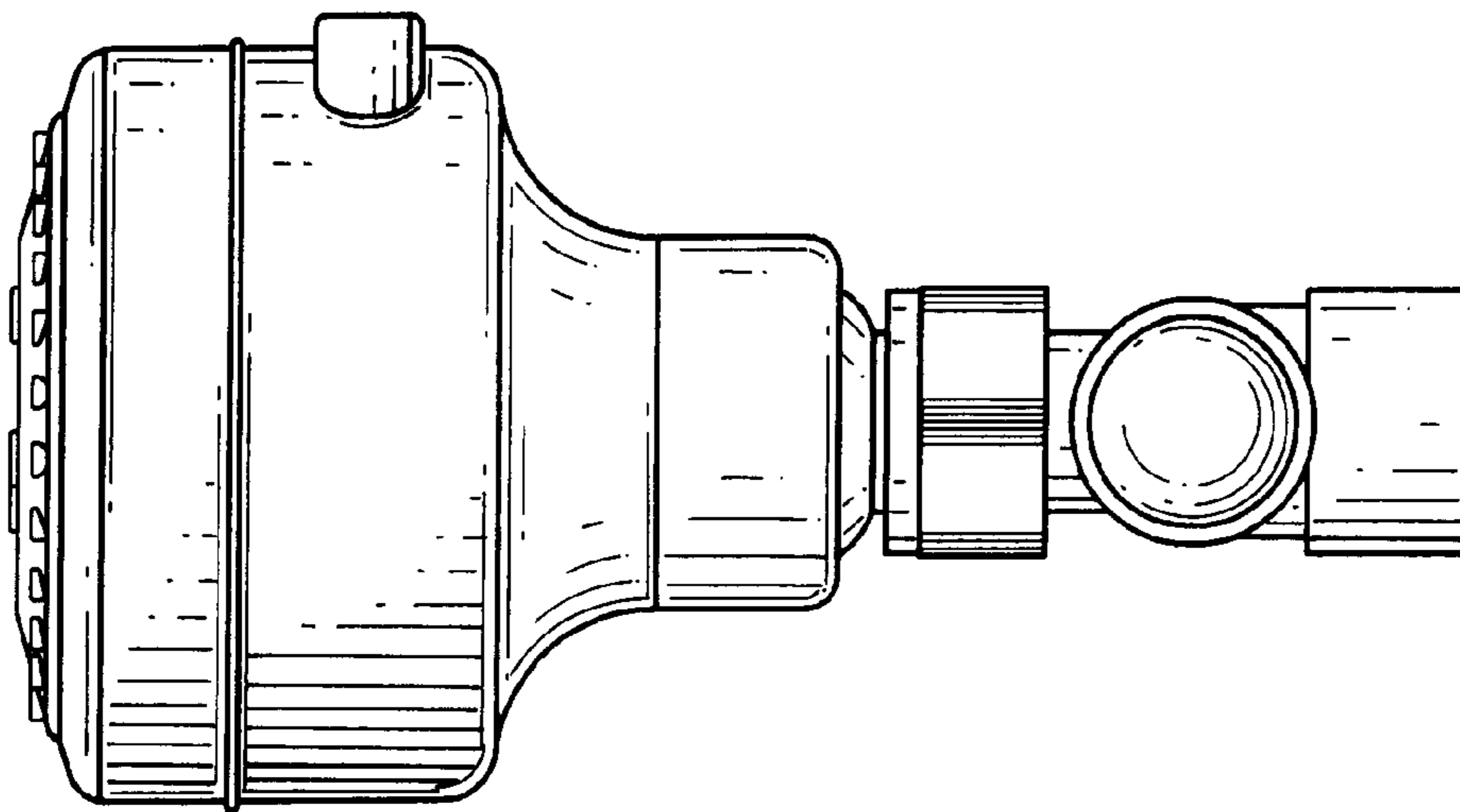


FIG.5

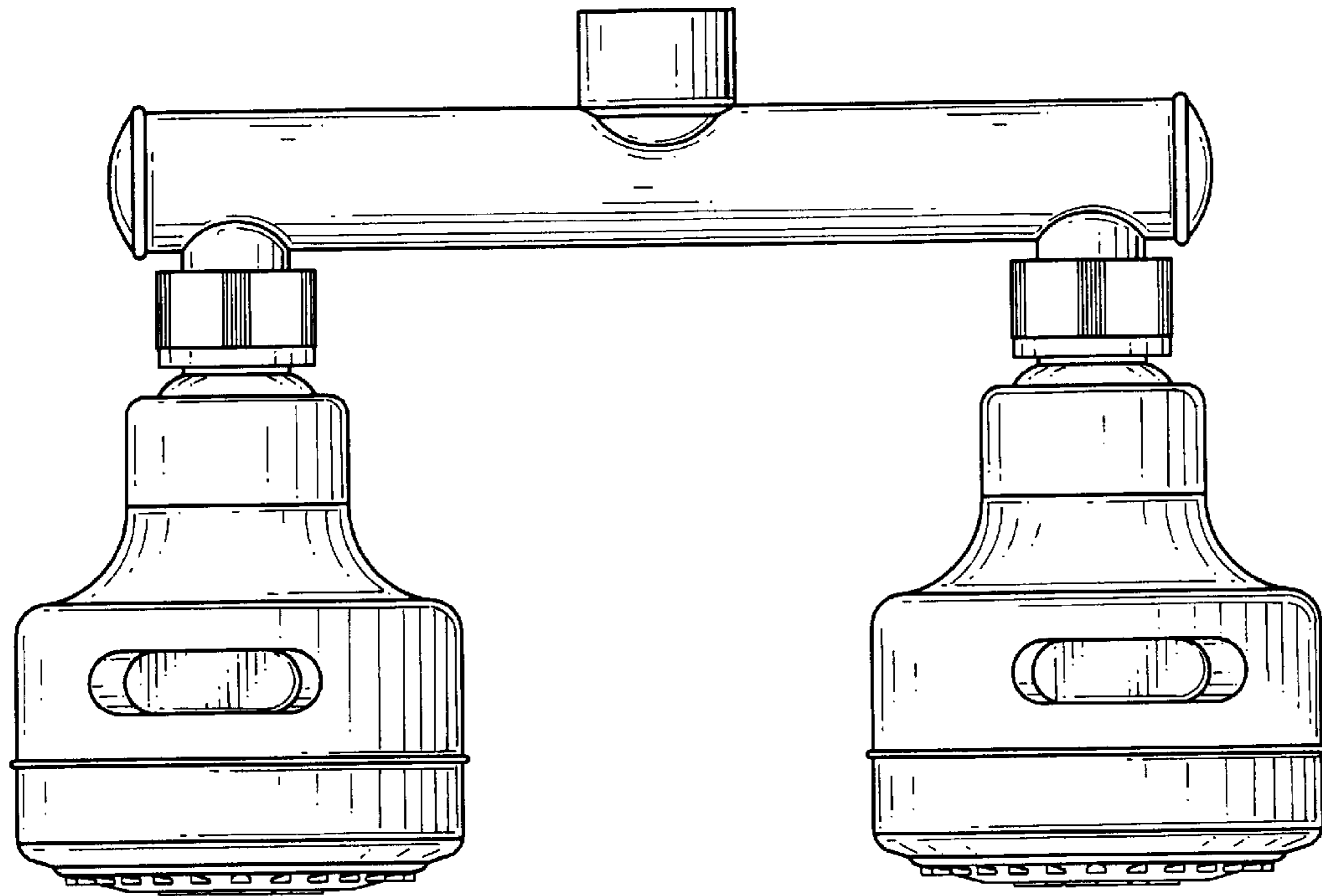


FIG. 6

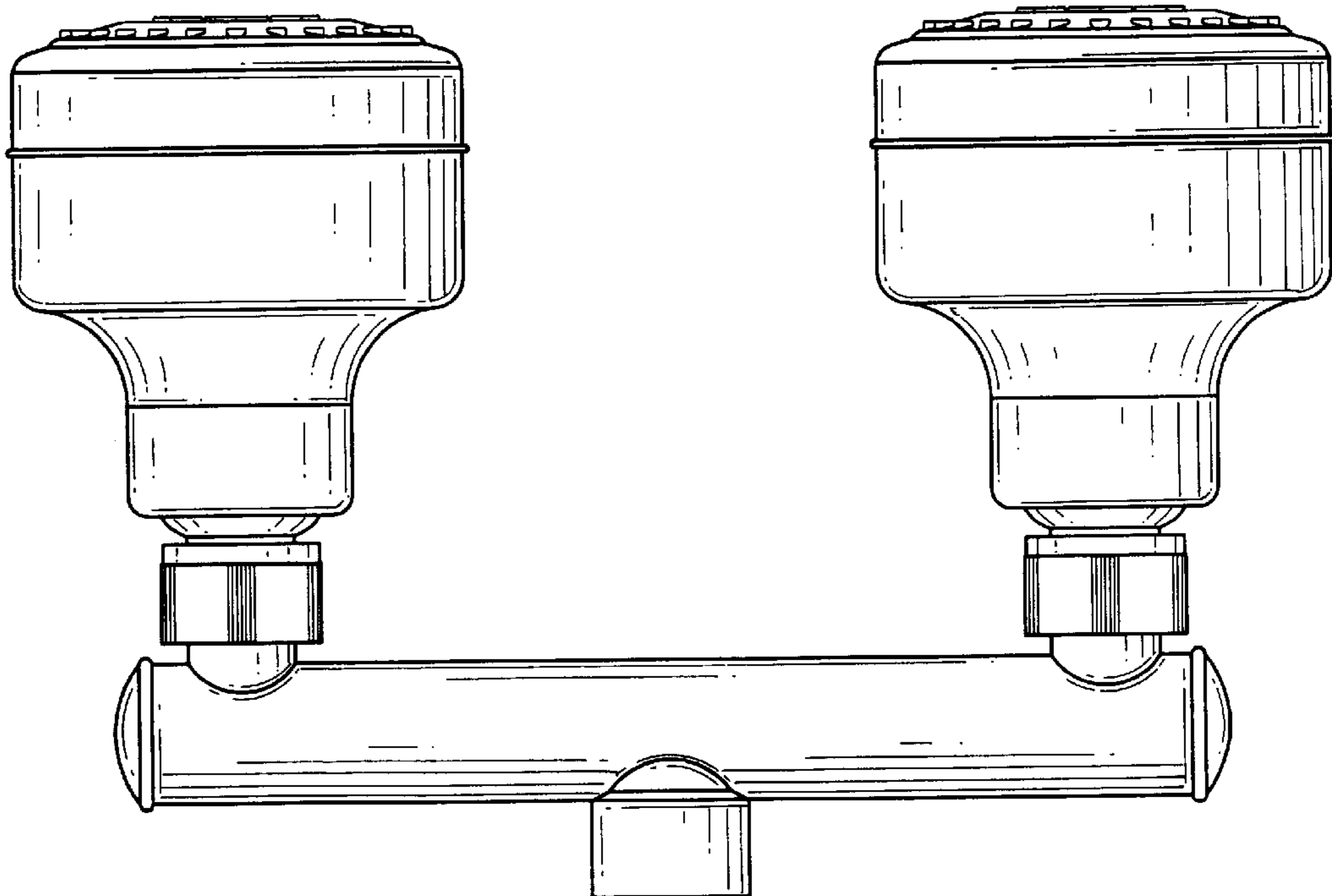


FIG. 7