



US00D483834S

(12) **United States Design Patent**
Shultz

(10) **Patent No.:** **US D483,834 S**

(45) **Date of Patent:** **** Dec. 16, 2003**

(54) **INSECT CONTAINER**

(76) **Inventor:** **Mark A. Shultz**, 2280 Alta Vista Dr.,
Vista, CA (US) 92084

(**) **Term:** **14 Years**

(21) **Appl. No.:** **29/176,855**

(22) **Filed:** **Feb. 26, 2003**

(51) **LOC (7) Cl.** **22-06**

(52) **U.S. Cl.** **D22/122**

(58) **Field of Search** D22/119-125;
43/55, 56, 58, 112, 122; D30/101, 102,
108, 109, 111; 119/207, 246, 256

(56) **References Cited**

U.S. PATENT DOCUMENTS

5,970,918 A	*	10/1999	Bargy	119/246
D426,613 S	*	6/2000	Curtis	D22/123
D448,124 S	*	9/2001	Wang	D30/101
D449,091 S	*	10/2001	Child	D22/122

D457,591 S * 5/2002 Christianson et al. D22/119

* cited by examiner

Primary Examiner—Catherine R. Oliver
(74) *Attorney, Agent, or Firm*—Murphey & Murphey,
A.P.C.

(57) **CLAIM**

The ornamental design for an insect container, as shown and described.

DESCRIPTION

FIG. 1 is a front elevational view of the insect container showing my new design with the rear view a mirror image thereof;

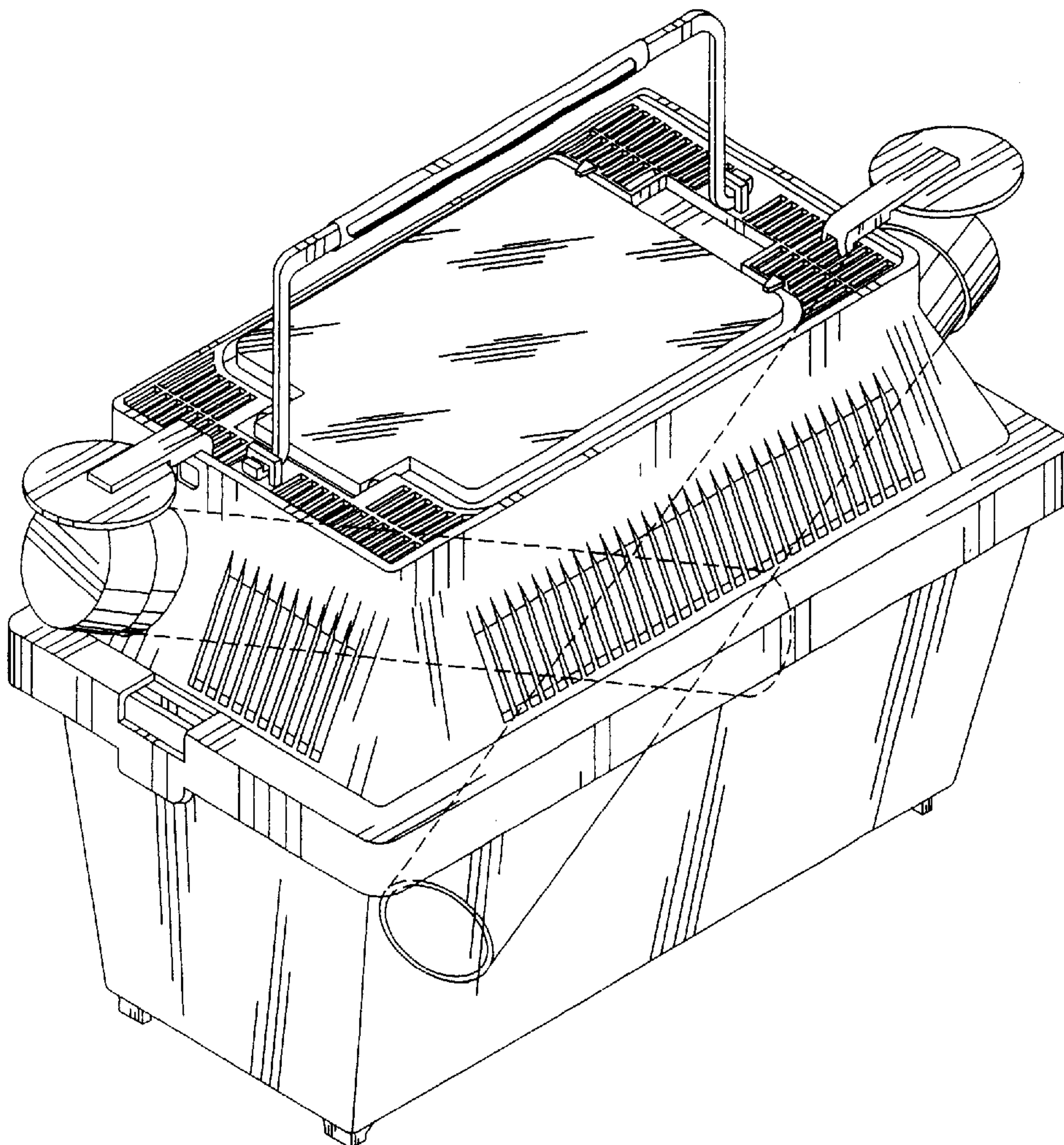
FIG. 2 is a left side elevational view of the design shown in FIG. 1 with the right side a mirror image thereof;

FIG. 3 is a top plan view of the design shown in FIG. 1;

FIG. 4 is a bottom plan view of the design shown in FIG. 1; and,

FIG. 5 is upper perspective view of the design shown in FIG. 1.

1 Claim, 4 Drawing Sheets



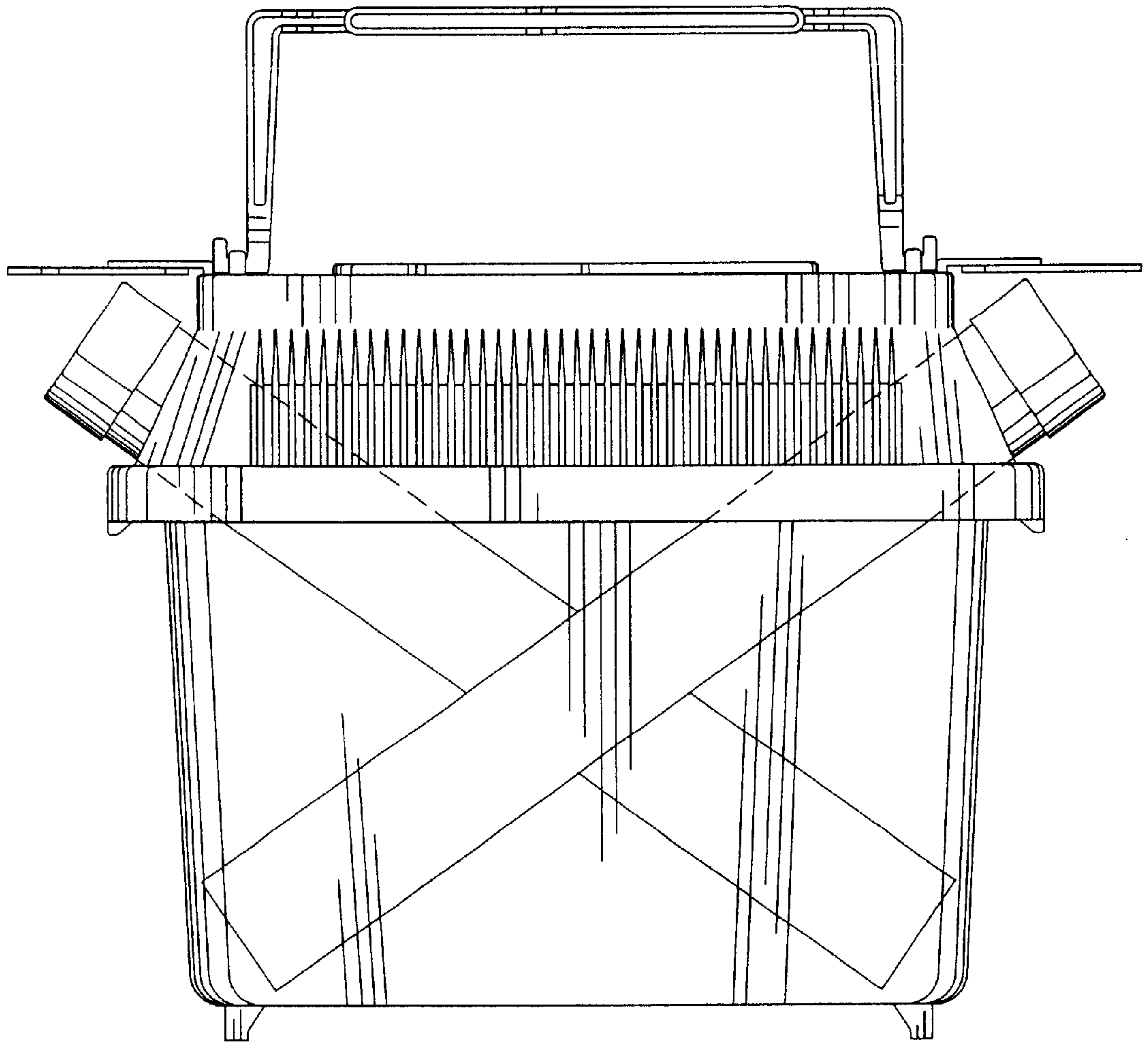


Figure 1

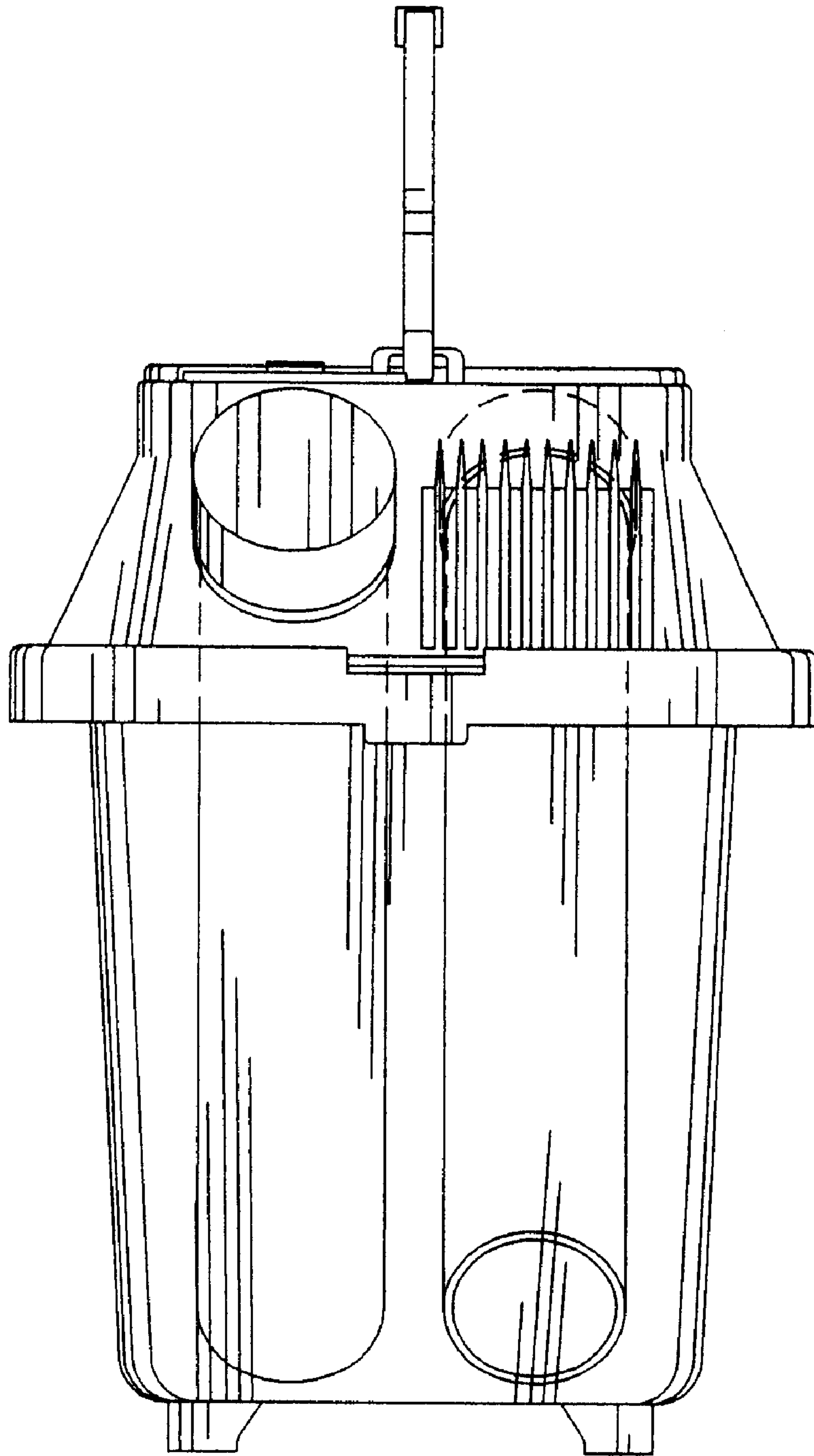


Figure 2

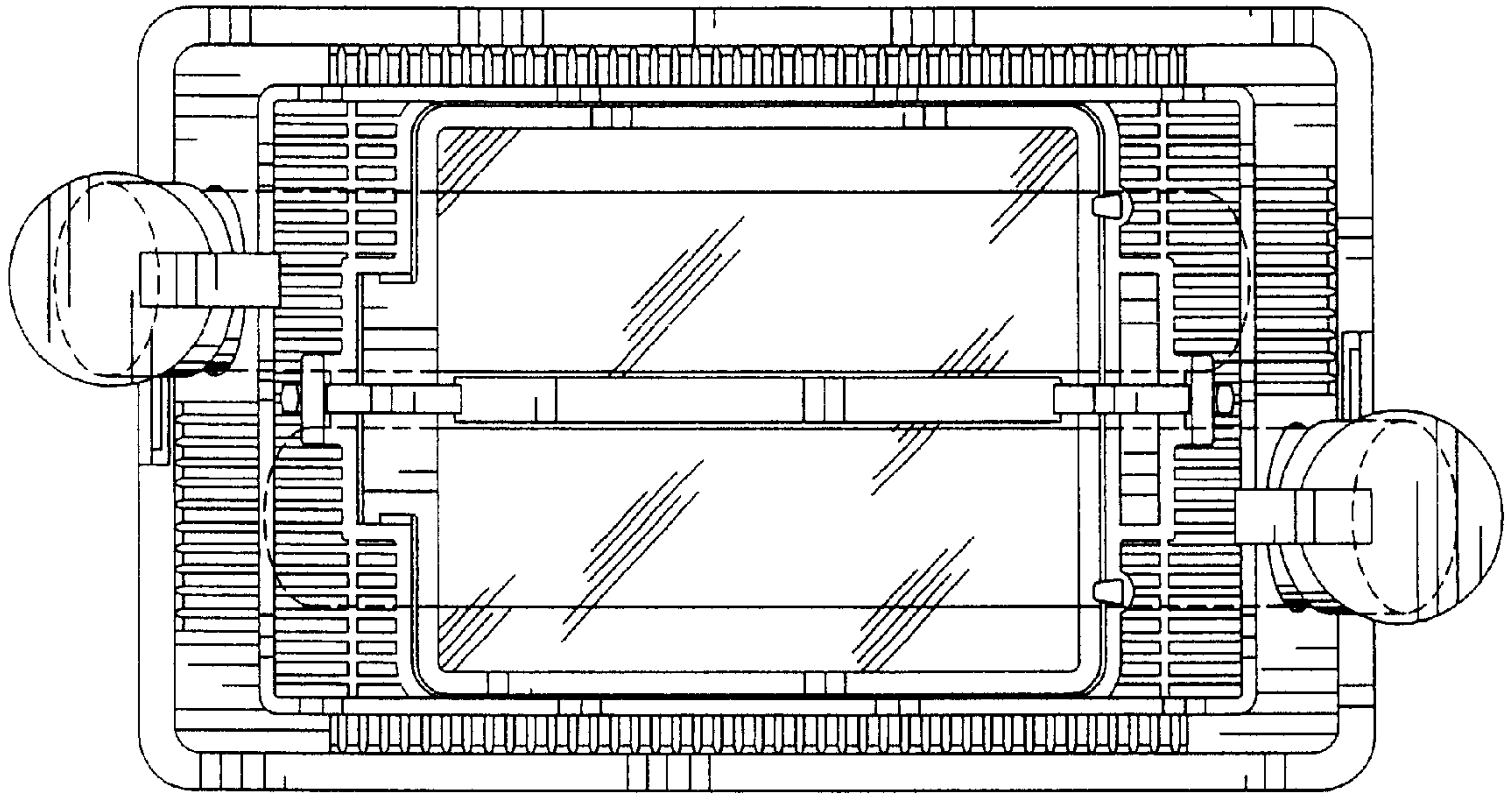


Figure 3

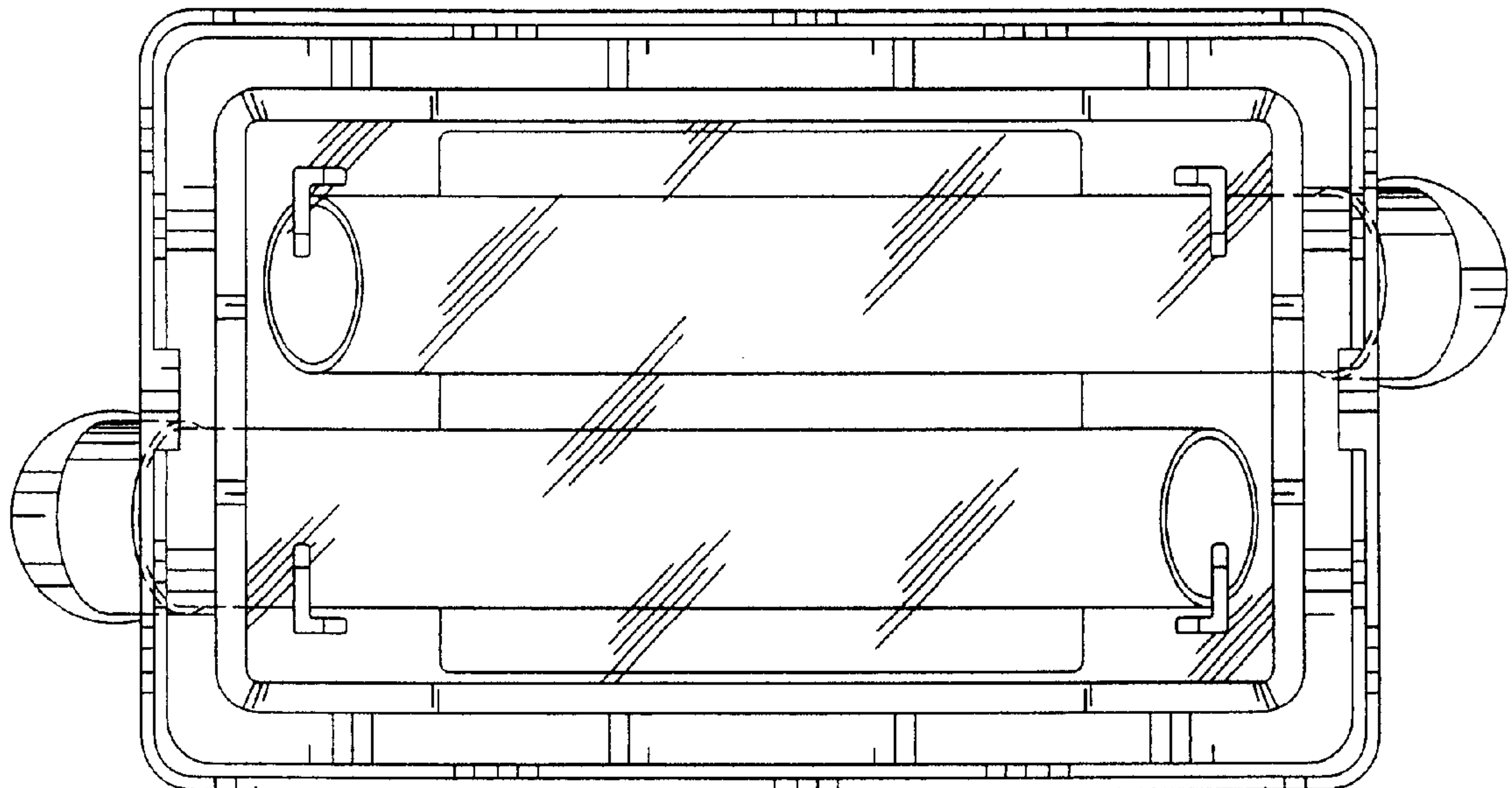


Figure 4

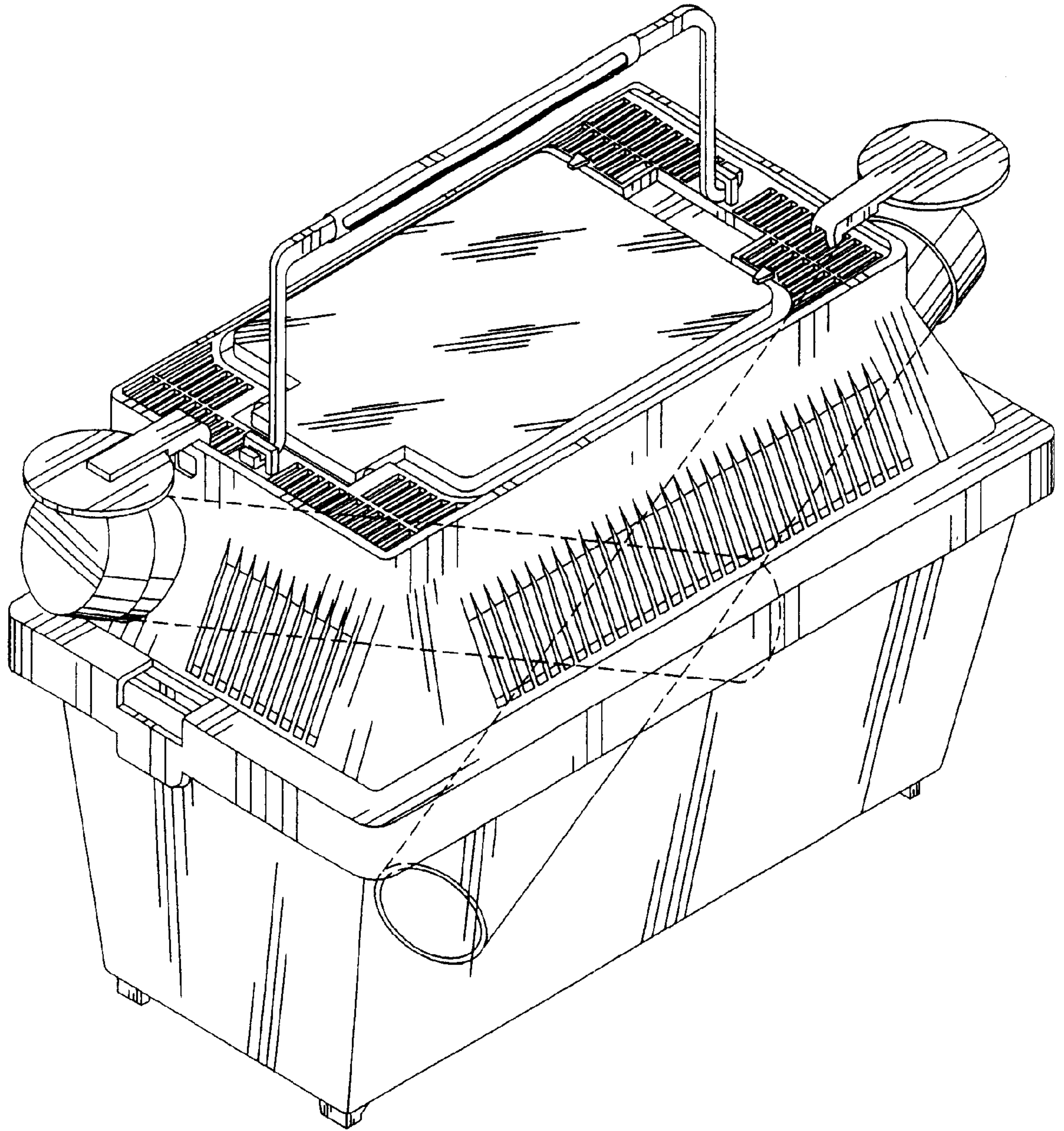


Figure 5