



US00D483830S

(12) **United States Design Patent**
Pylarinos et al.

(10) **Patent No.:** **US D483,830 S**

(45) **Date of Patent:** **** Dec. 16, 2003**

(54) **WATER WALKER**

(76) Inventors: **Demetria Pylarinos**, 39-10208th St.,
Bayside, NY (US) 11361; **Michael**
Hristofidis, 39-10208th St., Bayside,
NY (US) 11361

(**) **Term:** **14 Years**

(21) **Appl. No.:** **29/179,131**

(22) **Filed:** **Apr. 7, 2003**

(51) **LOC (7) Cl.** **21-02**

(52) **U.S. Cl.** **D21/804; D2/903; D21/760;**
D21/766

(58) **Field of Search** **D21/804, 803,**
D21/806, 760, 766, 768, 769; 441/76, 77;
D2/897, 898, 903

(56) **References Cited**

U.S. PATENT DOCUMENTS

22,457 A	*	12/1858	Rowlands	441/76
1,413,602 A	*	4/1922	Michalski	441/76
3,015,830 A	*	1/1962	Clark	441/76
D201,325 S	*	6/1965	Hatao	D21/804

3,758,898 A	*	9/1973	Dougherty	441/77
3,833,956 A	*	9/1974	Meehan	441/76
4,129,912 A	*	12/1978	Robinson	441/76
D274,078 S	*	5/1984	Bland	D21/804
4,801,284 A	*	1/1989	Lieu	441/76
4,954,106 A	*	9/1990	Shuh-Chin	440/21
5,429,537 A	*	7/1995	Seith	441/76
D453,411 S	*	2/2002	Eidem	D2/897

* cited by examiner

Primary Examiner—Lucy Lieberman

(57) **CLAIM**

The ornamental design for a water walker, as shown and described.

DESCRIPTION

FIG. 1 is a side view of a water walker showing my new design.

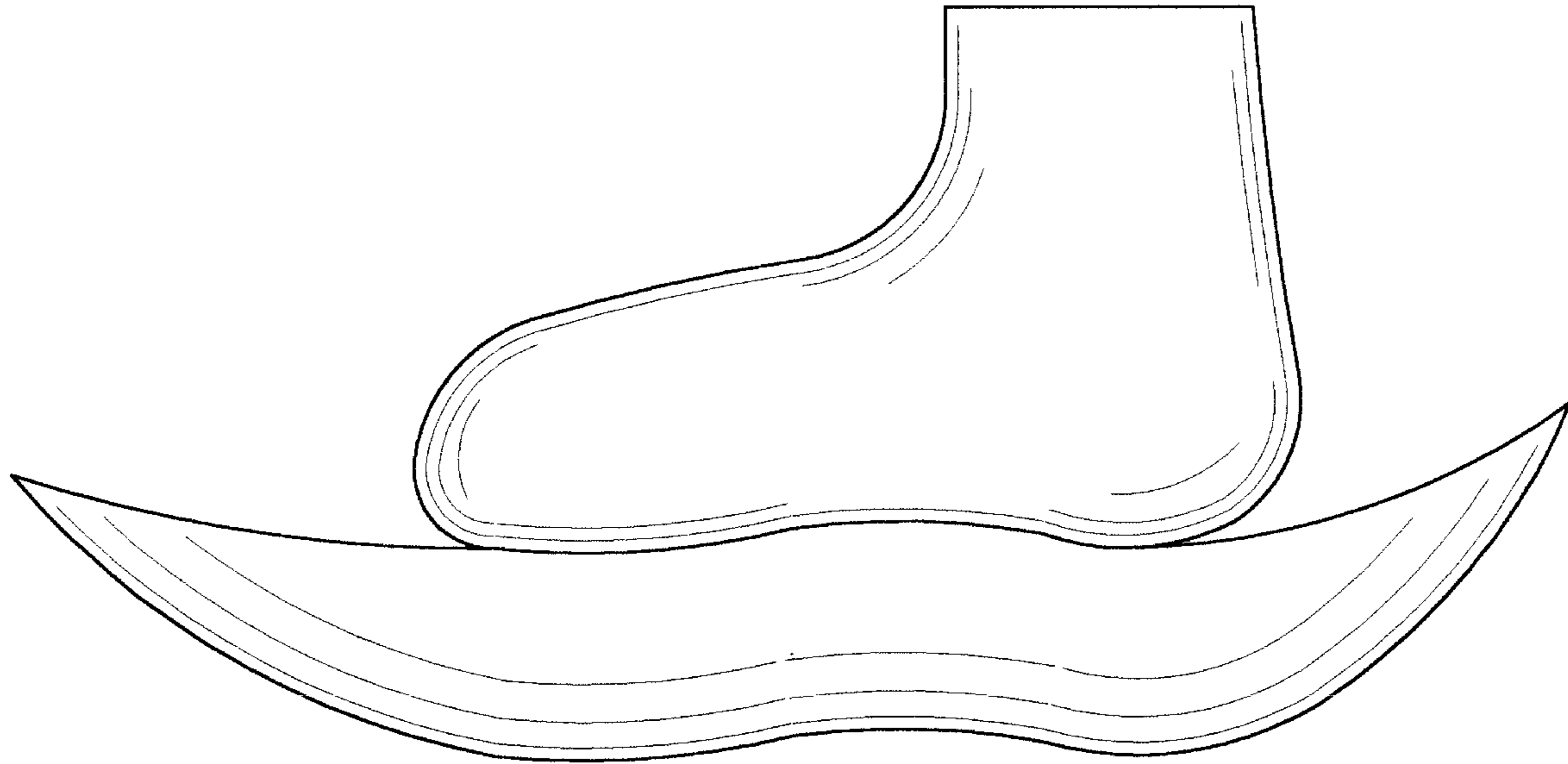
FIG. 2 is a front view of the water walker.

FIG. 3 is a rear view of the water walker.

FIG. 4 is a top view of the water walker; and,

FIG. 5 is a bottom view of the water walker.

1 Claim, 5 Drawing Sheets



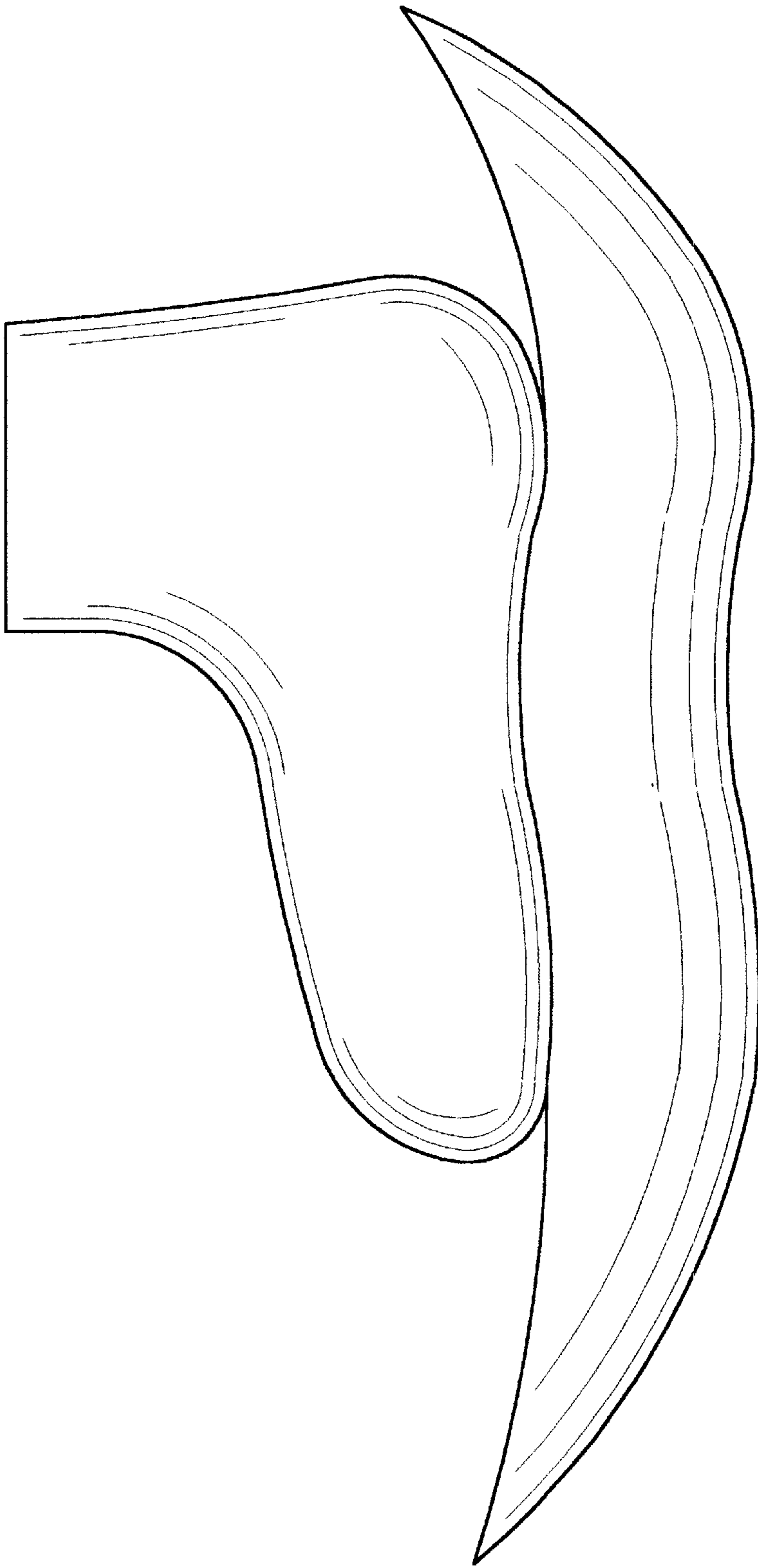


FIG. 1

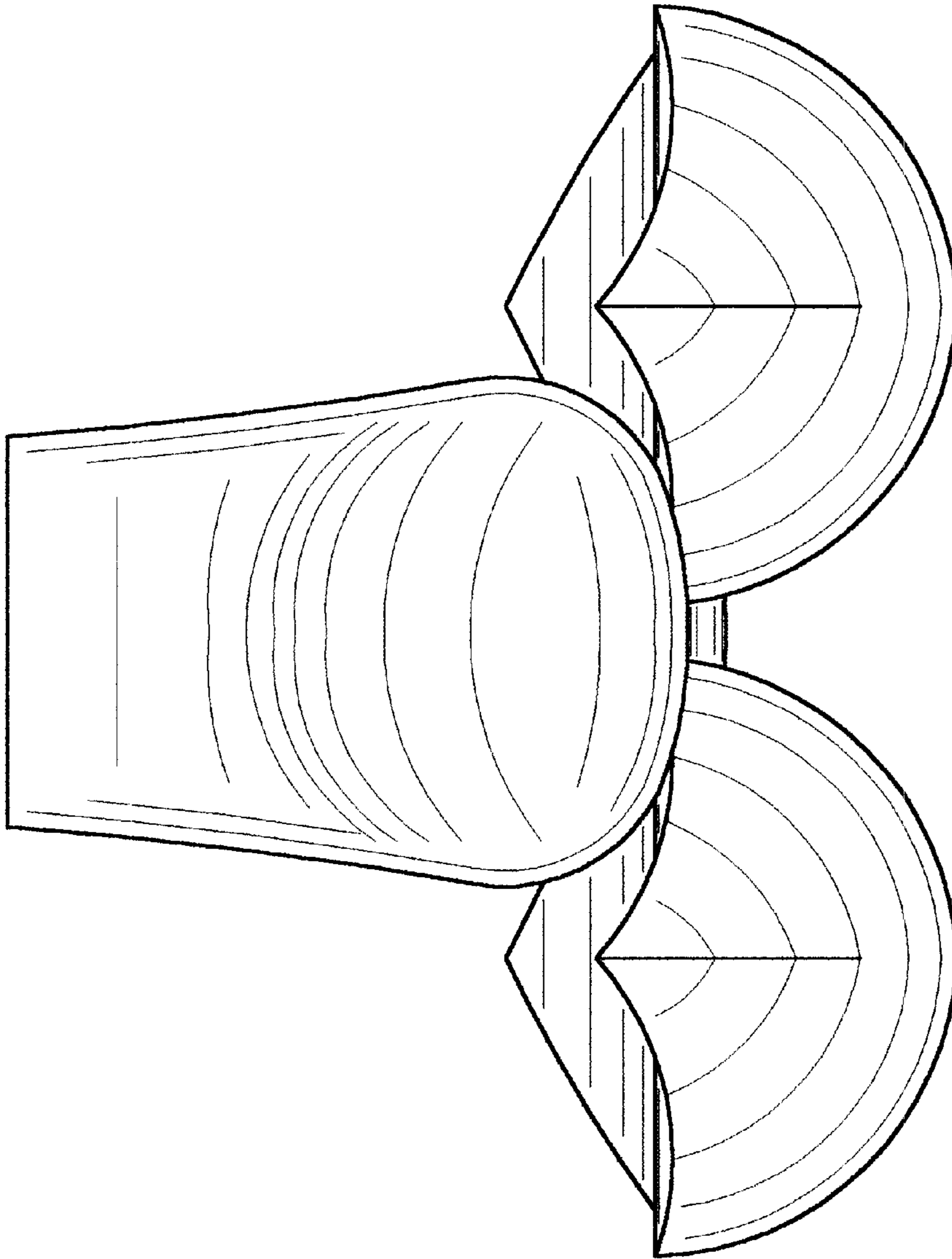


FIG. 2

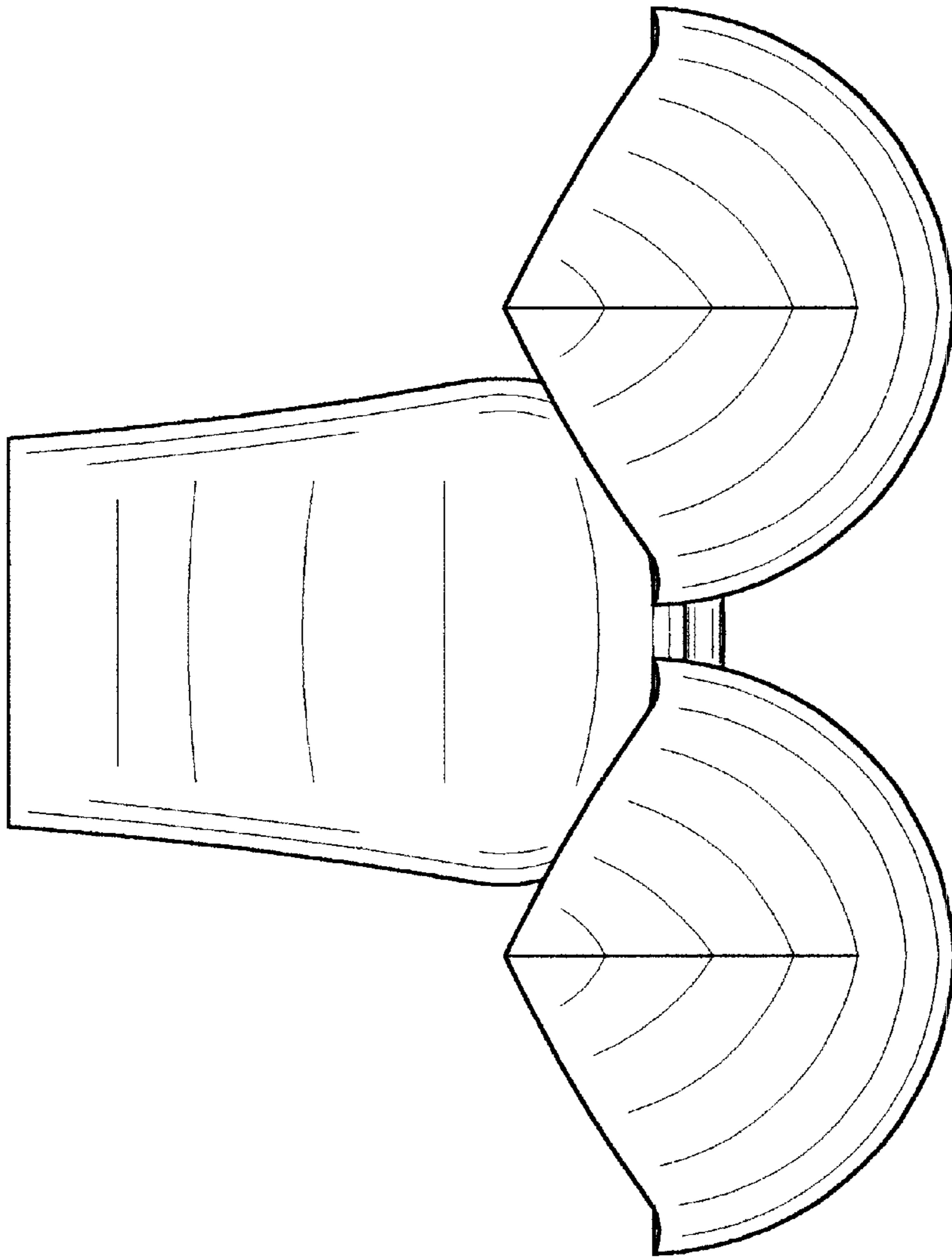


FIG. 3

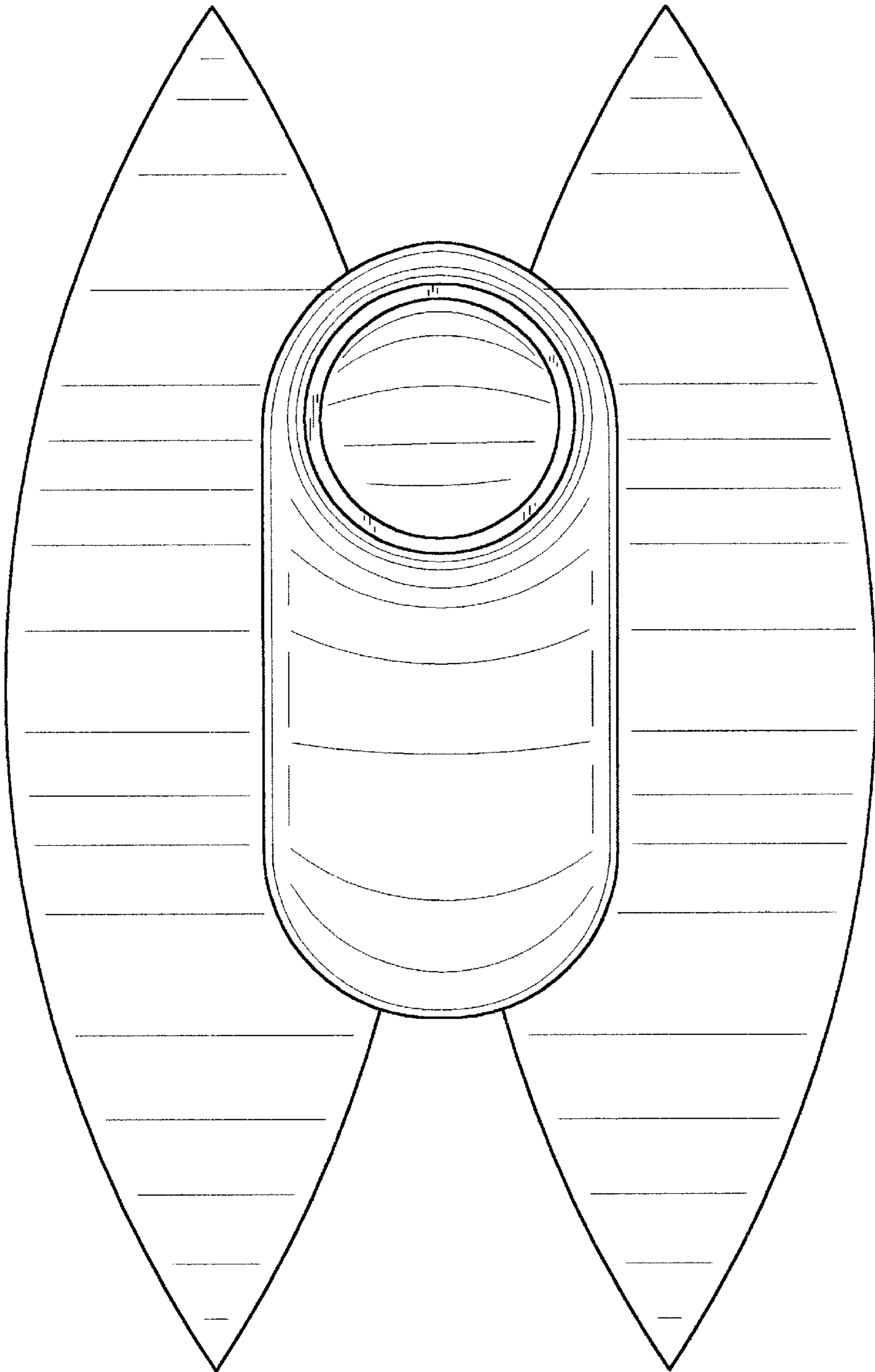


FIG. 4

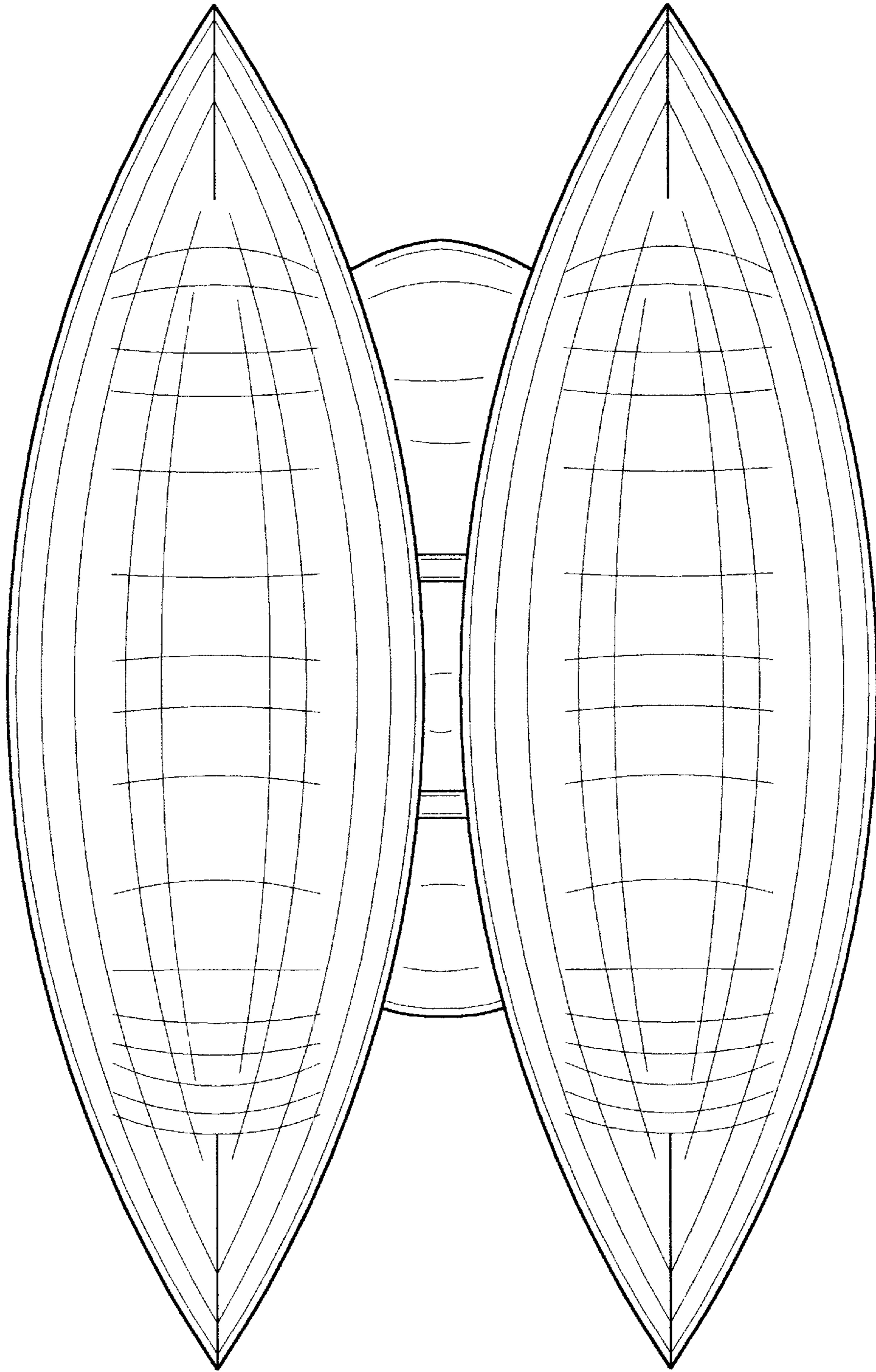


FIG. 5