



US00D483828S

(12) **United States Design Patent**
Perez

(10) **Patent No.:** **US D483,828 S**

(45) **Date of Patent:** **** Dec. 16, 2003**

(54) **PORTABLE PUNCHING EXERCISE DEVICE**

6,398,697 B1 * 6/2002 Nichols, Jr. 482/87

(75) Inventor: **Charles Perez**, Venice, CA (US)

* cited by examiner

(73) Assignee: **DCD, Inc.**, Malibu, CA (US)

Primary Examiner—Philip S. Hyder

(**) Term: **14 Years**

(74) *Attorney, Agent, or Firm*—Kelly Bauersfeld Lowry & Kelley, LLP

(21) Appl. No.: **29/174,450**

(57) **CLAIM**

(22) Filed: **Jan. 16, 2003**

The ornamental design for a portable punching exercise device, as shown.

(51) **LOC (7) Cl.** **21-02**

DESCRIPTION

(52) **U.S. Cl.** **D21/798; D21/787**

(58) **Field of Search** D21/662, 787,
D21/798; 482/83, 85, 86, 87, 89, 90

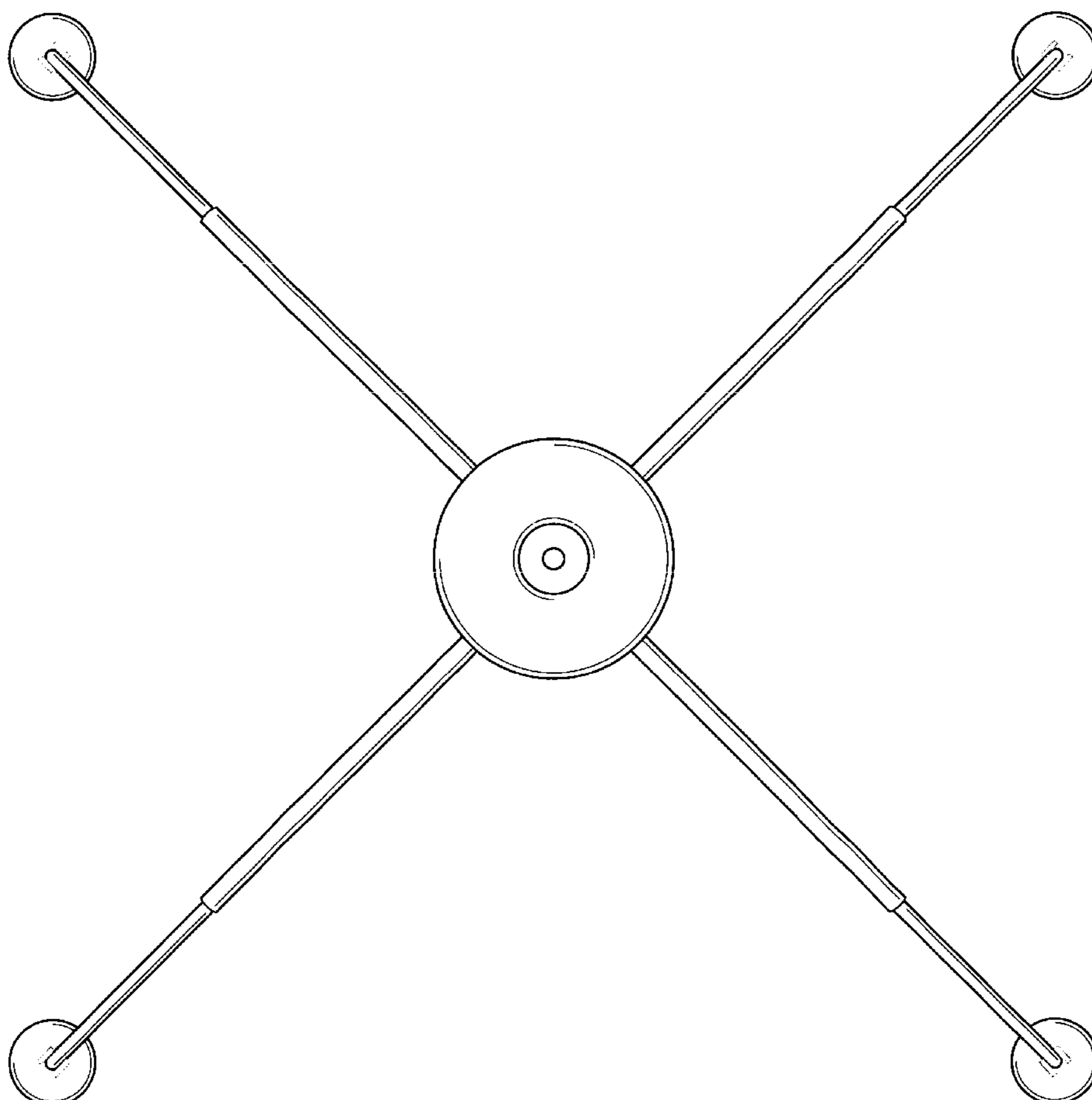
FIG. 1 is a front and top perspective view of a portable punching exercise device embodying my new design; FIG. 2 is a right side elevational view thereof; the left side elevational view being a mirror image; FIG. 3 is a front elevational view thereof, the rear elevational view being a mirror image; FIG. 4 is a top plan view thereof; FIG. 5 is a bottom plan view thereof; and, FIG. 6 is a front elevational view thereof in a folded configuration.

(56) **References Cited**

U.S. PATENT DOCUMENTS

D291,339	S	*	8/1987	Charles	D21/787
5,554,088	A	*	9/1996	Zlojutro	482/83
5,624,358	A	*	4/1997	Hestilow	482/90
5,674,157	A	*	10/1997	Wilkinson	482/83
5,899,835	A	*	5/1999	Puranda	482/90
5,921,895	A	*	7/1999	Lynch et al.	482/83
5,921,896	A	*	7/1999	Boland	482/83

1 Claim, 6 Drawing Sheets



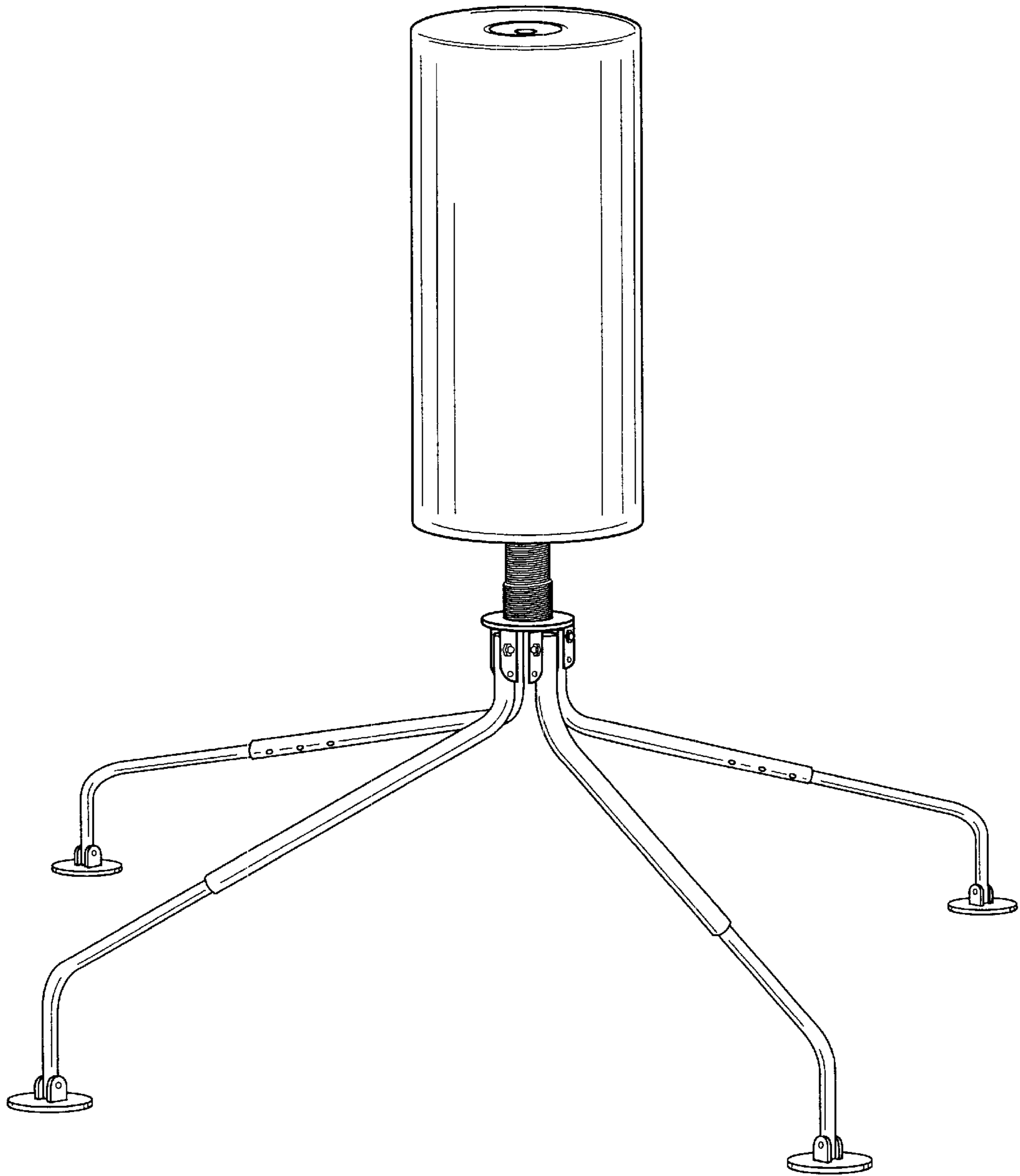


FIG. 1

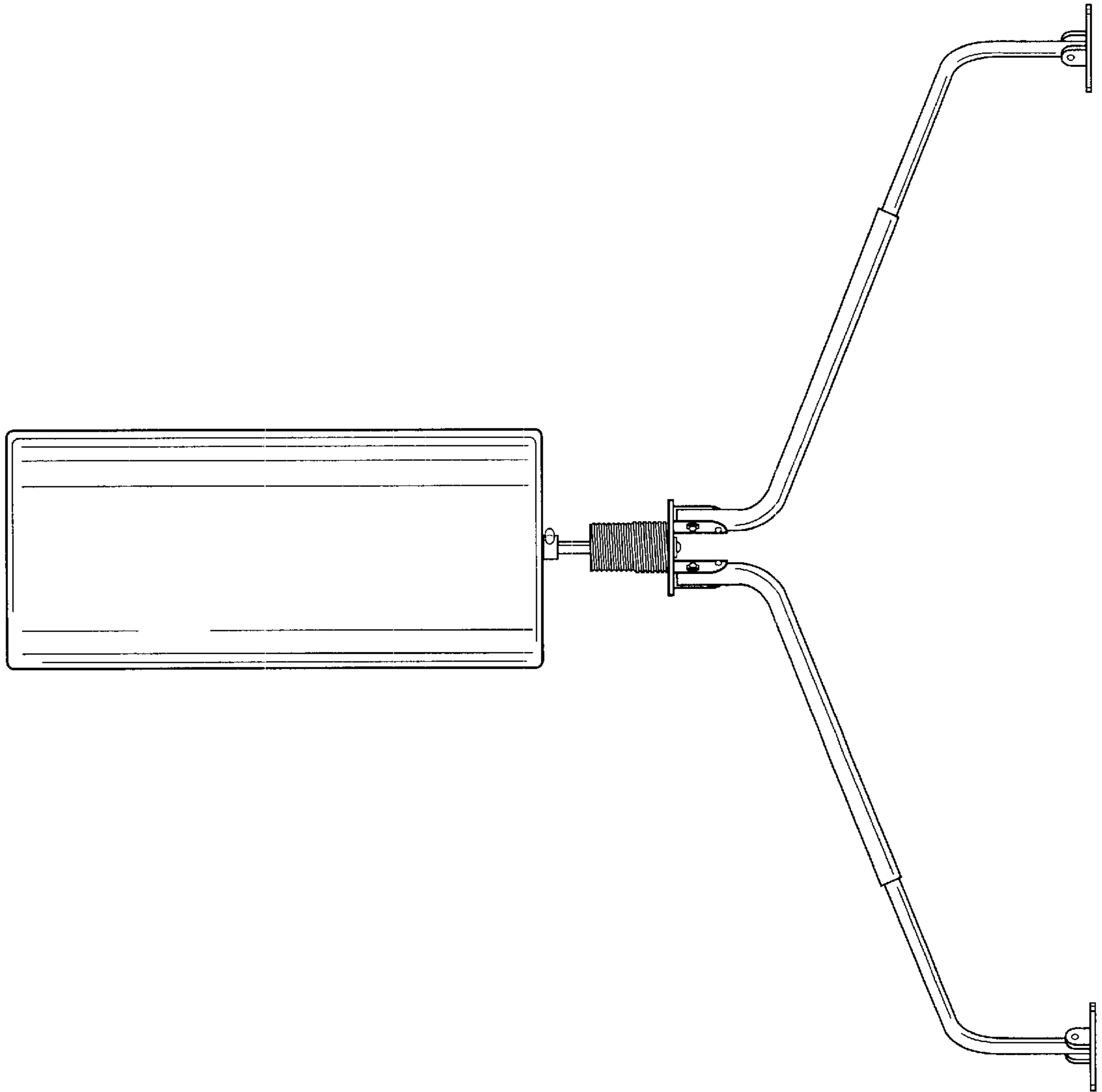


FIG. 2

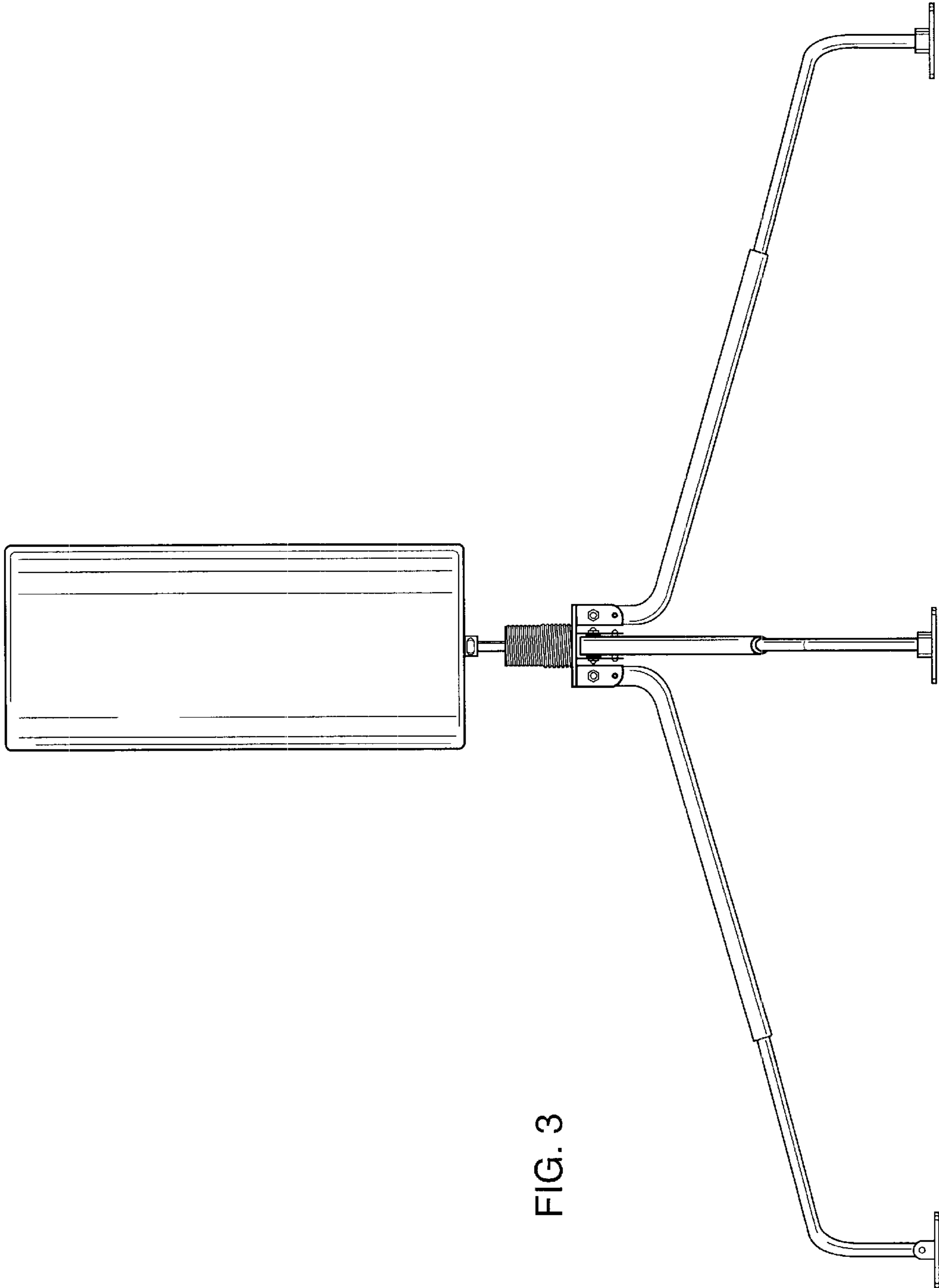


FIG. 3

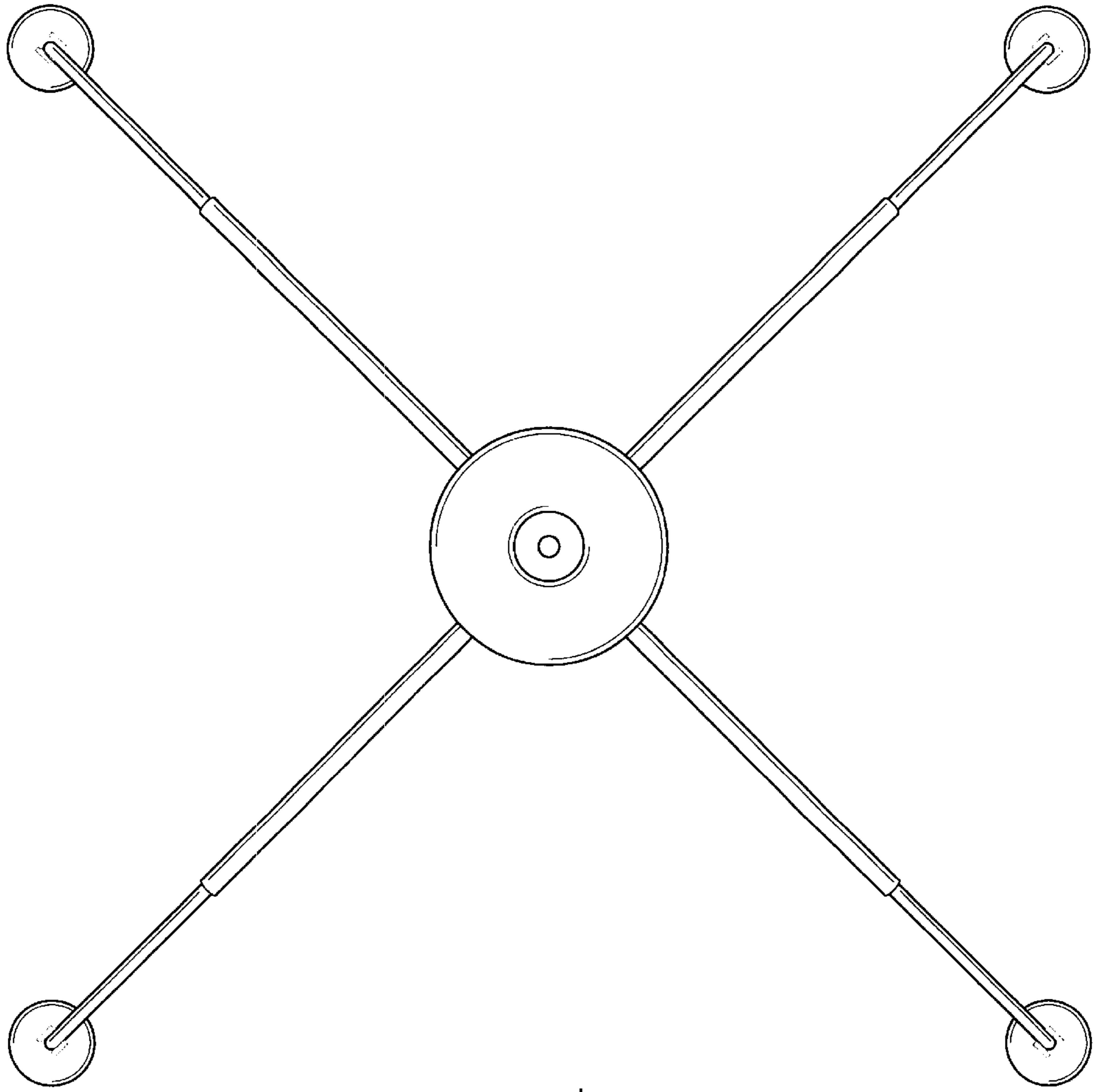


FIG. 4

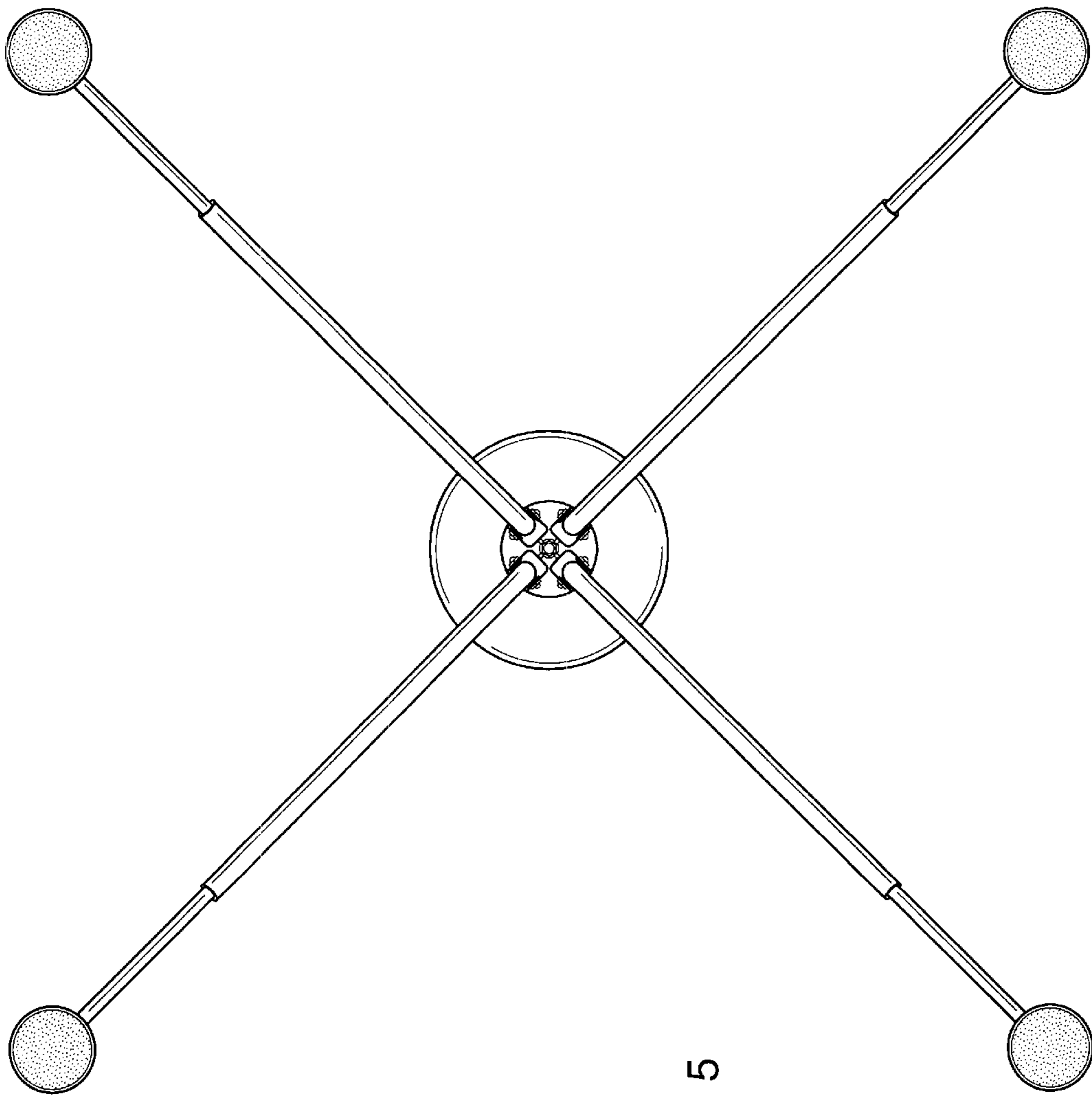


FIG. 5

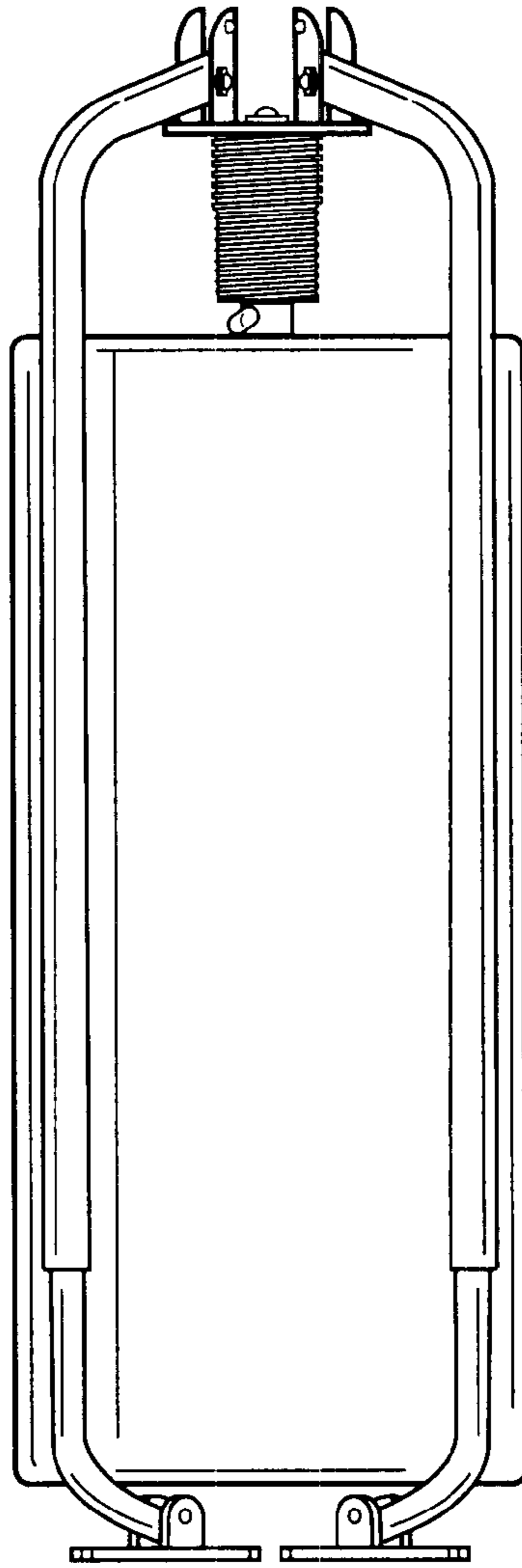


FIG. 6