



US00D483824S

(12) **United States Design Patent**
Tang et al.

(10) **Patent No.:** **US D483,824 S**
(45) **Date of Patent:** **** Dec. 16, 2003**

(54) **PUTTER HEAD**

(75) Inventors: **Larry G. Tang**, Carlsbad, CA (US);
Augustin W. Rollinson, Carlsbad, CA
(US); **Dennis E. Wagner**, Encinitas,
CA (US)

(73) Assignee: **Callaway Golf Company**, Carlsbad,
CA (US)

(**) Term: **14 Years**

(21) Appl. No.: **29/184,012**

(22) Filed: **Jul. 1, 2003**

(51) **LOC (7) Cl.** **21-02**

(52) **U.S. Cl.** **D21/738; D21/744**

(58) **Field of Search** **D21/736-746;**
473/324, 327-330, 340, 341, 251-256

(56) **References Cited**

U.S. PATENT DOCUMENTS

4,688,798 A	8/1987	Pelz
D309,765 S	8/1990	Pelz
D309,766 S	8/1990	Pelz
D317,034 S	5/1991	Pelz
D317,962 S	7/1991	Pelz
D457,586 S	5/2002	Tang et al.
D458,656 S	6/2002	Tang et al.
D461,514 S	8/2002	Tang et al.
D461,515 S	8/2002	Tang et al.
D461,860 S	8/2002	Tang

D461,861 S	8/2002	Tang et al.	
D463,002 S	9/2002	Tang et al.	
D467,985 S	12/2002	Tang et al.	
D470,904 S	2/2003	Tang et al.	
D471,245 S	3/2003	Tang et al.	
D471,940 S	* 3/2003	Tang et al. D21/742
D472,594 S	4/2003	Tang et al.	
D472,595 S	4/2003	Tang et al.	
D475,106 S	5/2003	Tang et al.	
D477,041 S	* 7/2003	Cameron D21/742
D479,291 S	* 9/2003	Murray D21/742

* cited by examiner

Primary Examiner—Mitchell Siegel

(74) *Attorney, Agent, or Firm*—Michael A. Catania; Elaine
H. Lo

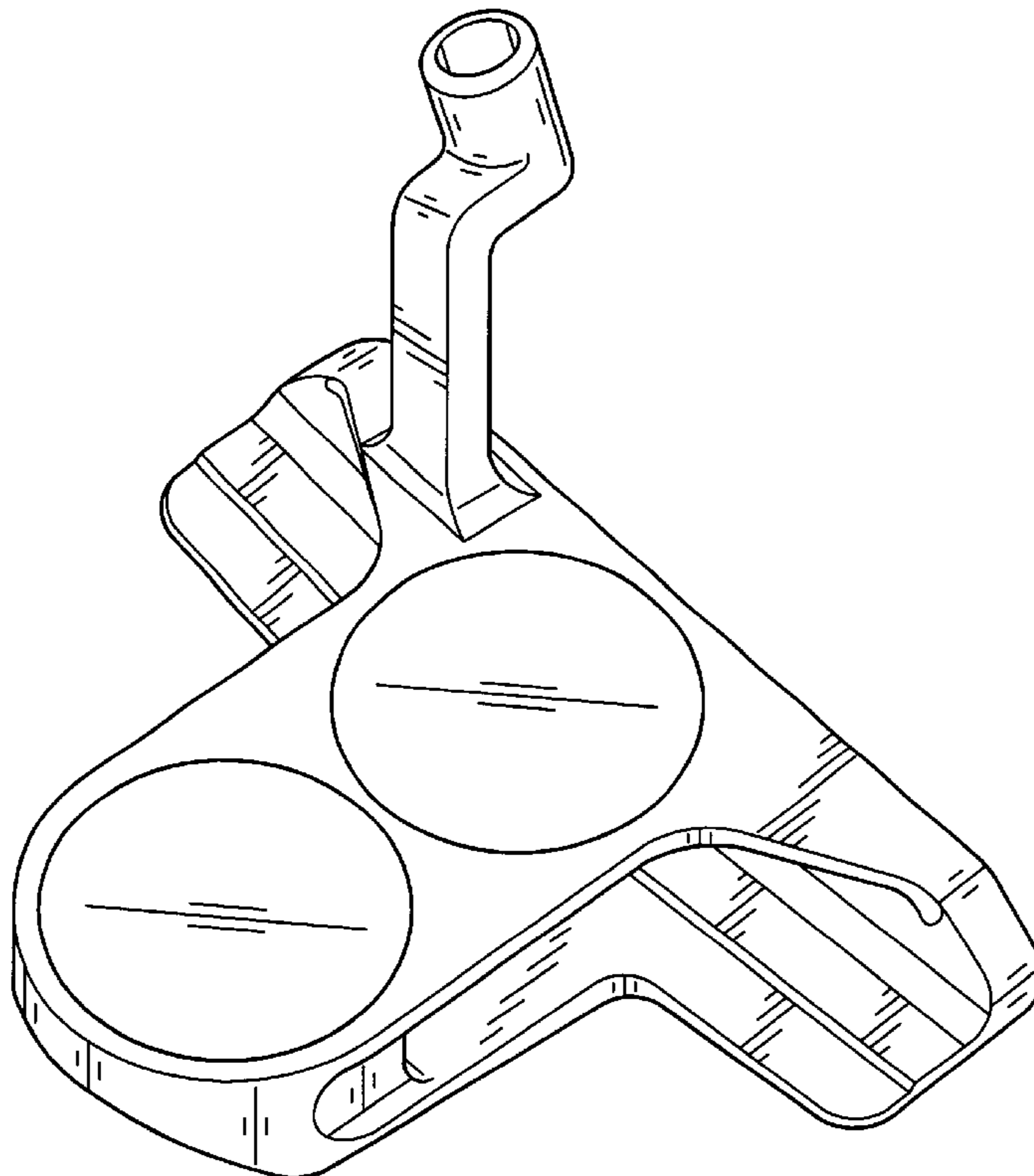
(57) **CLAIM**

The ornamental design for a putter head, as shown and
described.

DESCRIPTION

FIG. 1 is a top perspective of the golf club head as claimed
herein;
FIG. 2 is a back plan view of the golf club head thereof;
FIG. 3 is a top plan view thereof;
FIG. 4 is a bottom plan view thereof;
FIG. 5 is a front plan view thereof;
FIG. 6 is heel plan view thereof; and,
FIG. 7 is toe view thereof.

1 Claim, 3 Drawing Sheets



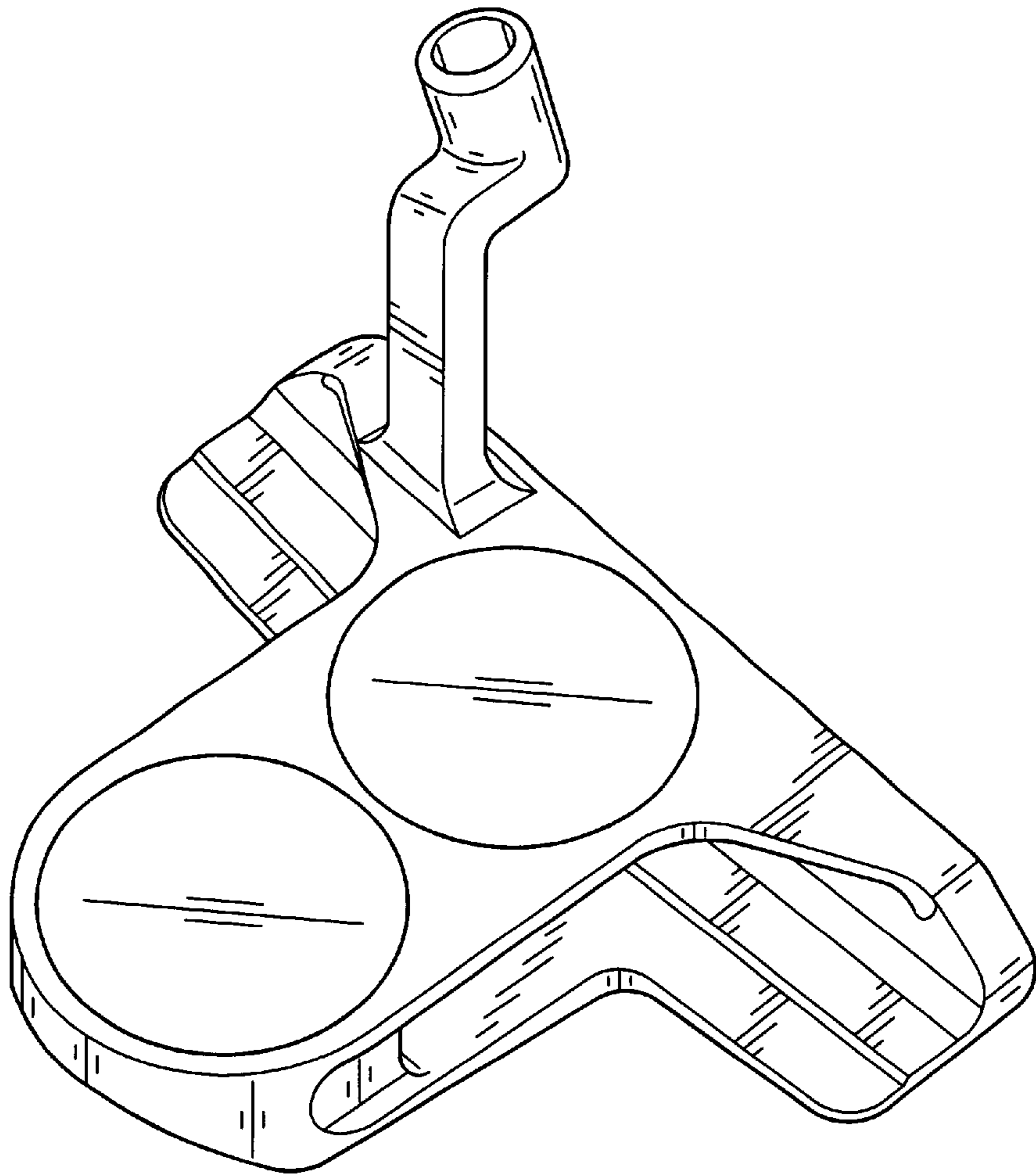


FIG. 1

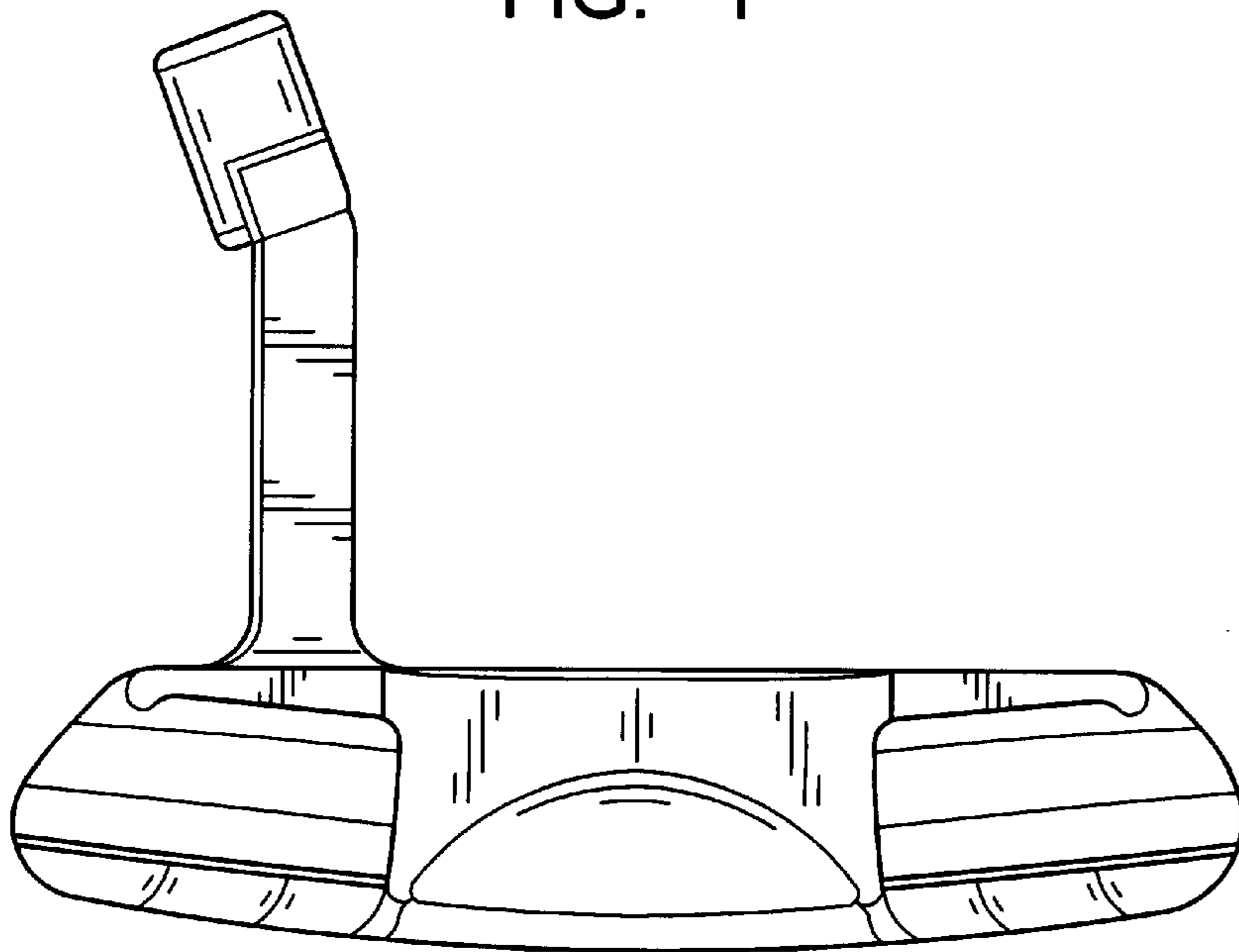


FIG. 2

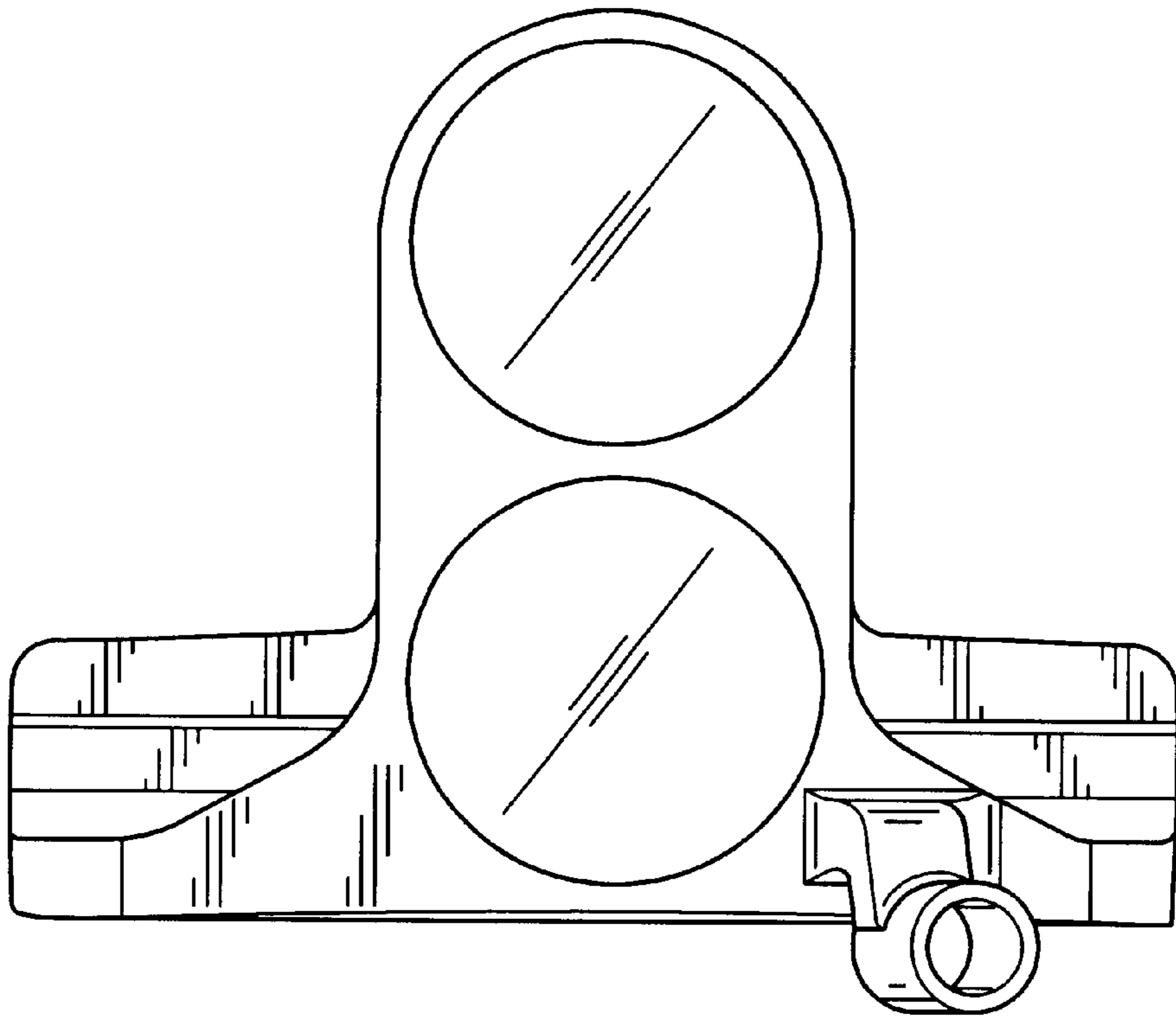


FIG. 3

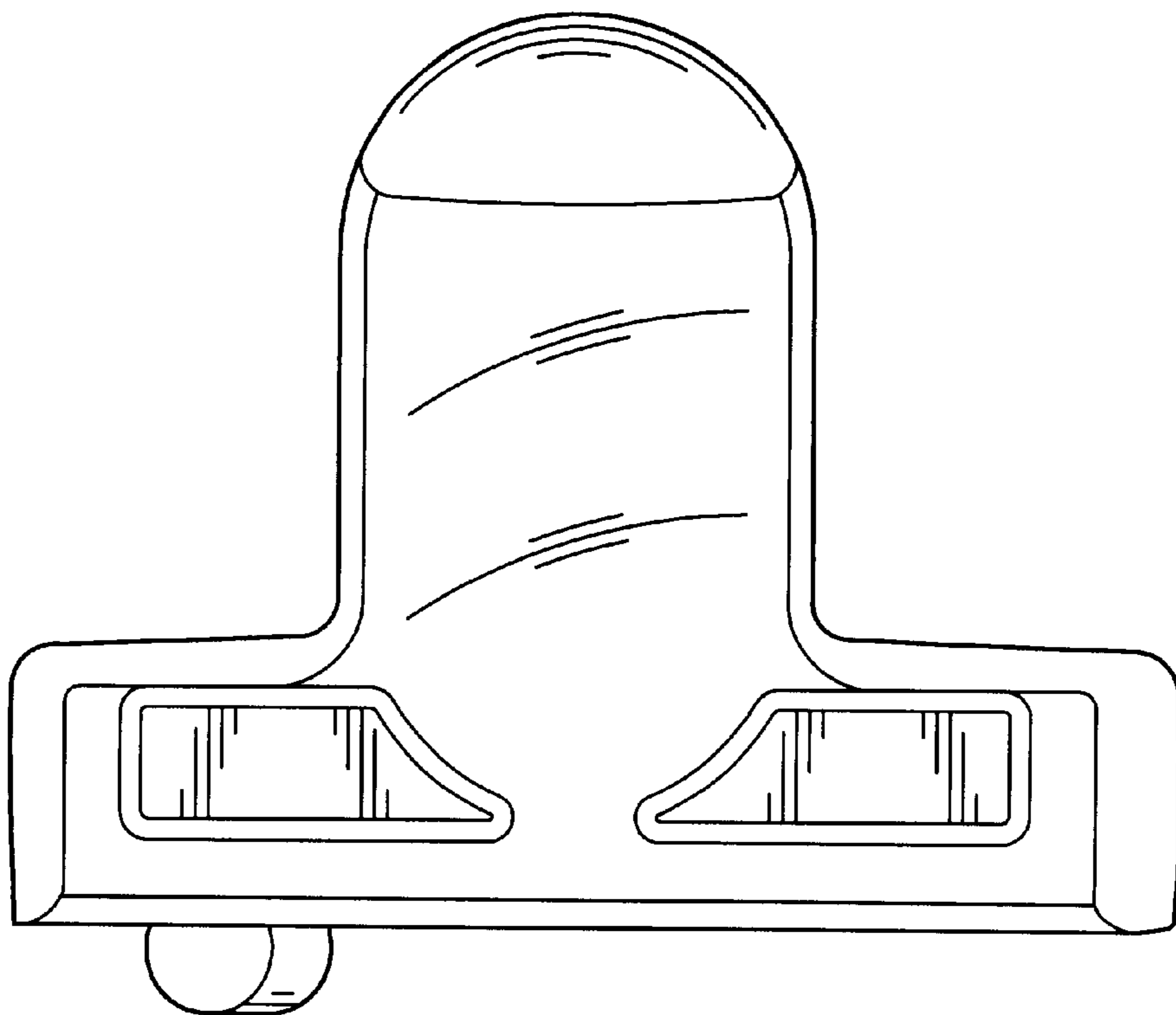


FIG. 4

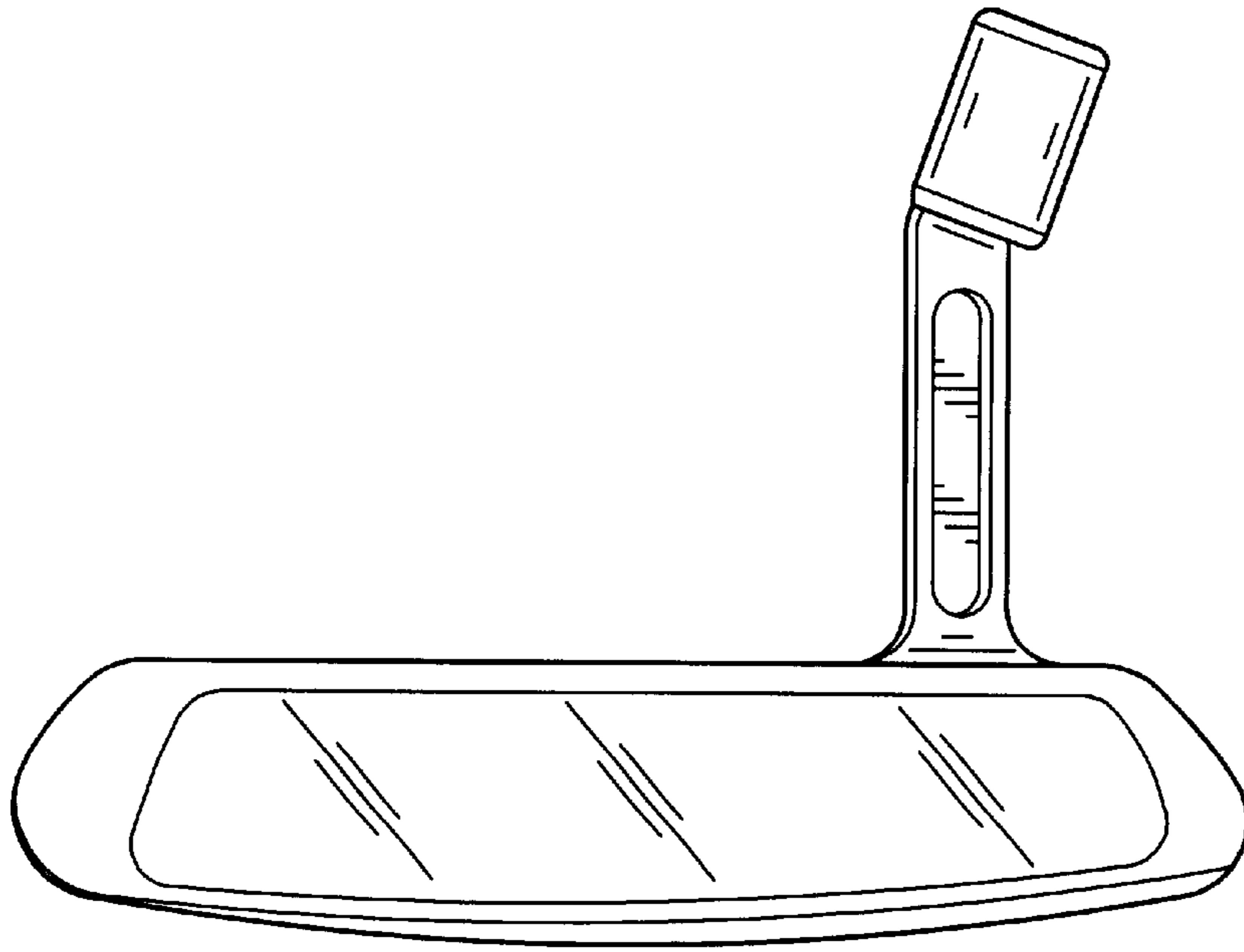


FIG. 5

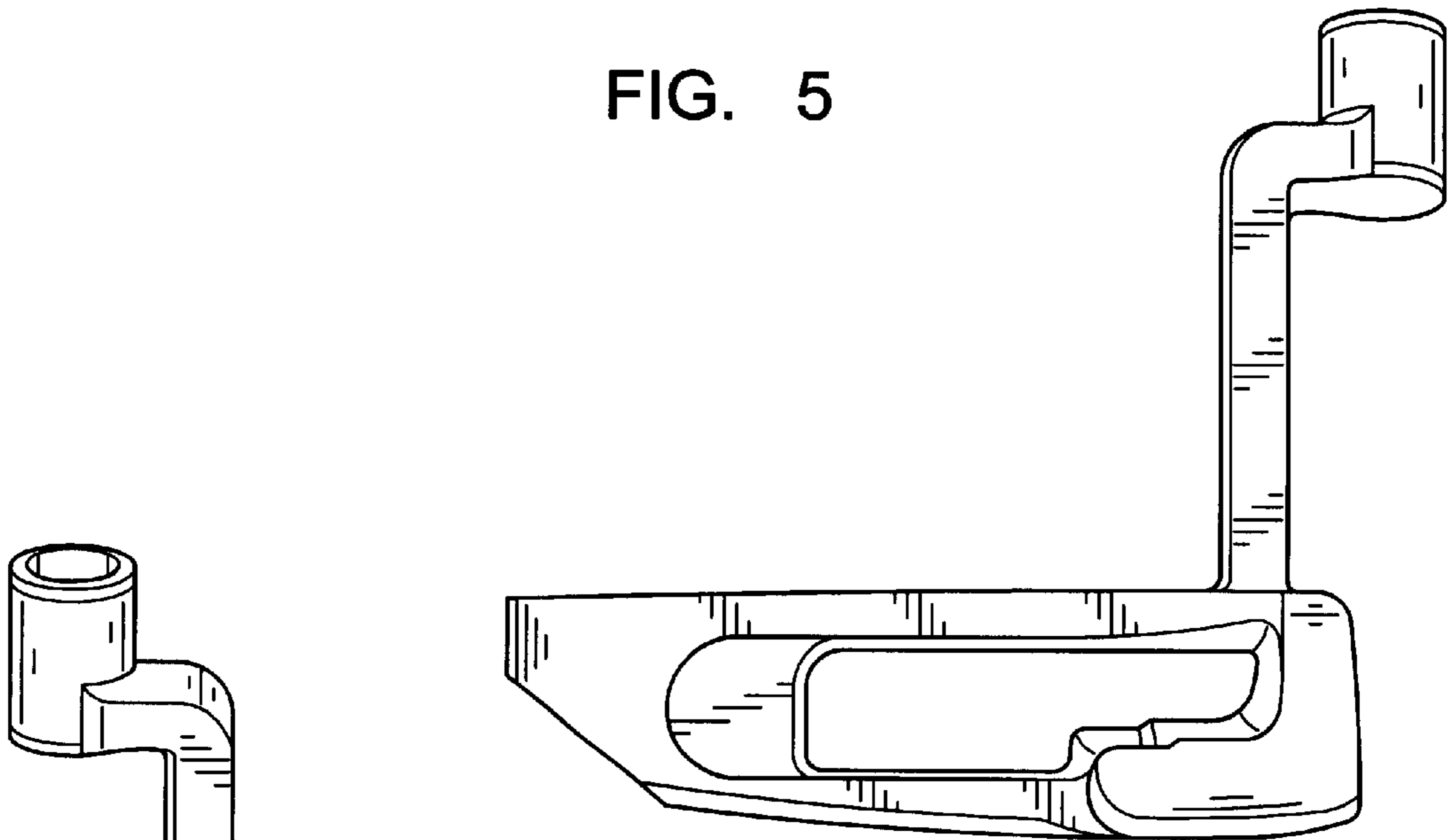


FIG. 6

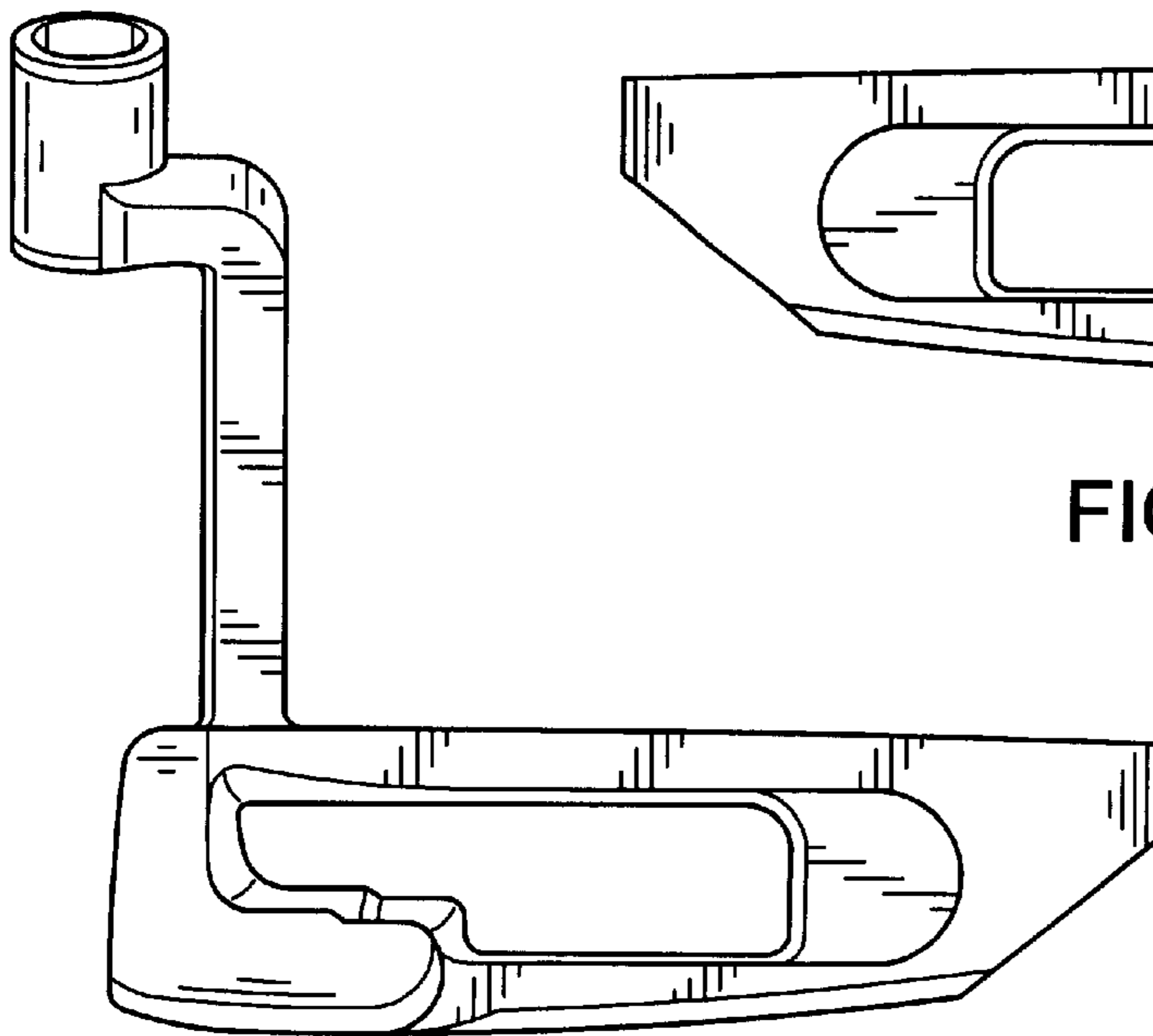


FIG. 7