



US00D483823S

(12) **United States Design Patent**
Swist

(10) **Patent No.:** **US D483,823 S**

(45) **Date of Patent:** **** Dec. 16, 2003**

(54) **NEGATIVE LOFT GOLF PUTTER HEAD**

D447,197 S * 8/2001 Mills D21/736

(76) Inventor: **Jason Swist**, 9720 Riverside Drive,
Edmonton, Alberta (CA), T5N 3M6

FOREIGN PATENT DOCUMENTS

(**) Term: **14 Years**

CA 2274038 11/2000 A63B/53/04

(21) Appl. No.: **29/161,618**

* cited by examiner

(22) Filed: **May 31, 2002**

Primary Examiner—Mitchell Siegel

(30) **Foreign Application Priority Data**

(57) **CLAIM**

Dec. 4, 2001 (CA) 2001-2535

I claim the ornamental design for a negative loft golf putter head, as shown and described.

(51) **LOC (7) Cl.** **21-02**

DESCRIPTION

(52) **U.S. Cl.** **D21/736**

FIG. 1 is a face-side elevation view of a negative loft golf putter head embodying my design;

(58) **Field of Search** D21/736-746;

FIG. 2 is a toe-end elevation view thereof;

473/324-331, 340-342, 251-256

FIG. 3 is a back-side elevation view thereof;

(56) **References Cited**

U.S. PATENT DOCUMENTS

D202,715 S * 11/1965 Solheim D21/743

D326,303 S * 5/1992 Cameron D21/743

D396,258 S * 7/1998 Sheets D21/742

D402,721 S * 12/1998 Gurrola D21/742

5,857,922 A 1/1999 Delio 473/313

D438,274 S * 2/2001 Olson D21/743

D439,295 S 3/2001 Sizemore, Jr. D21/736

FIG. 4 is a heel-end elevation view thereof;

FIG. 5 is a top plan view thereof;

FIG. 6 is a bottom plan view thereof; and,

FIG. 7 is a perspective view thereof.

The broken lines in FIGS. 2 and 7, depicting a portion of golf club shaft, are illustrative of environmental structure only and form no part of the claimed design.

1 Claim, 4 Drawing Sheets

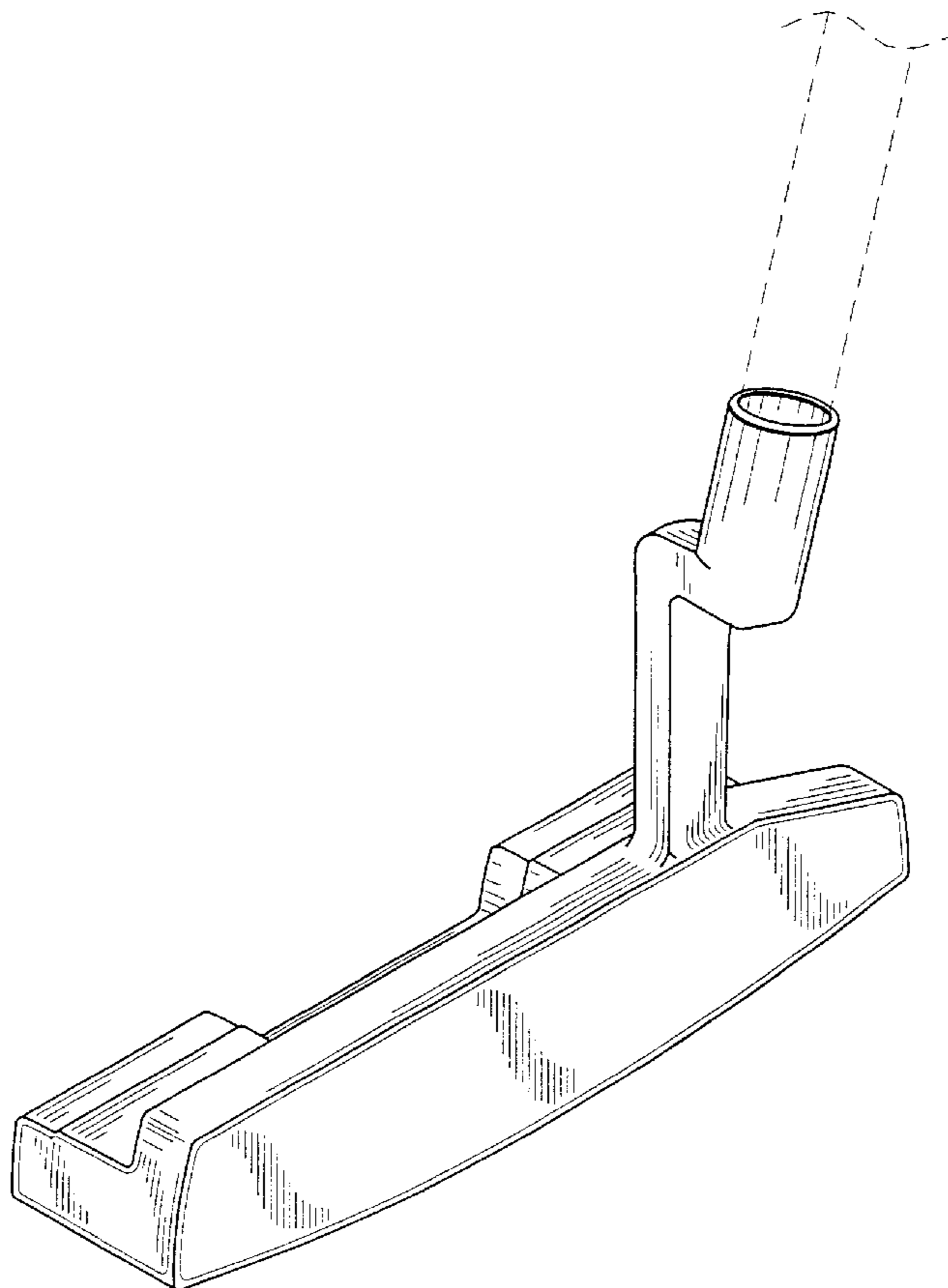


FIG. 1

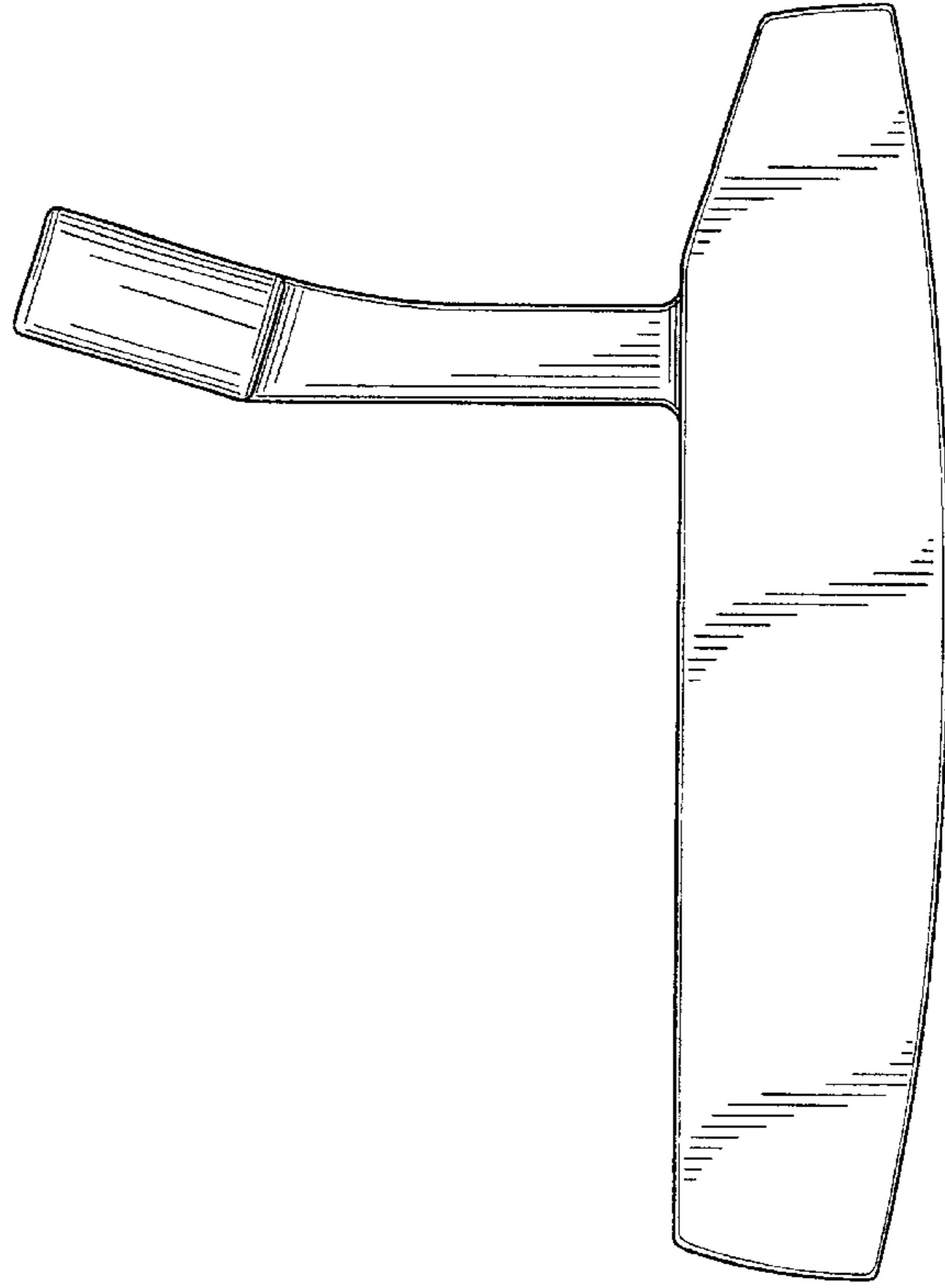


FIG. 2

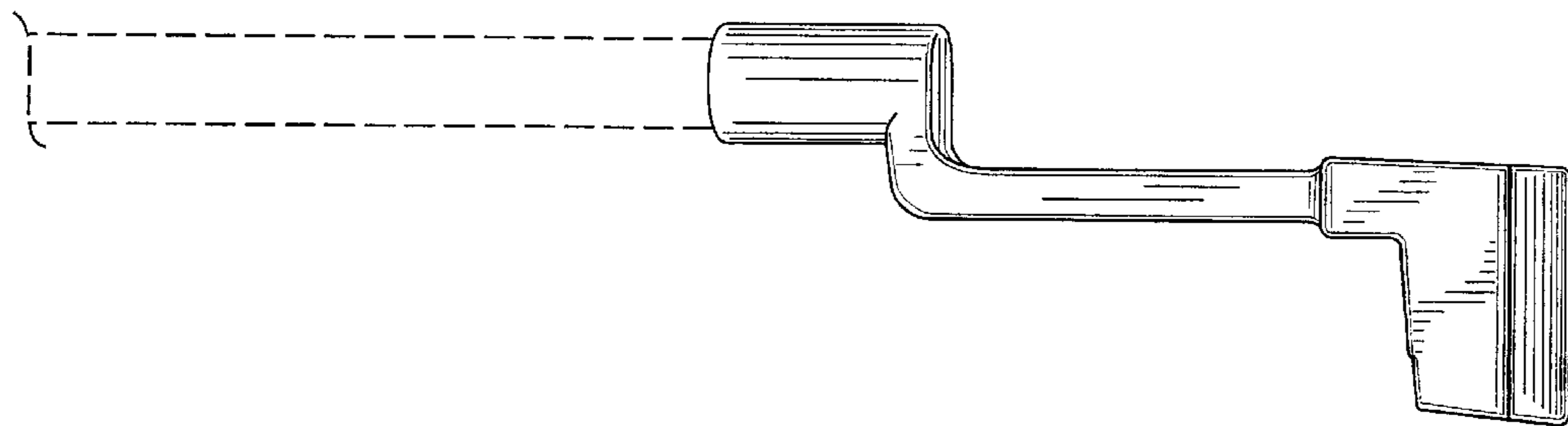


FIG. 3

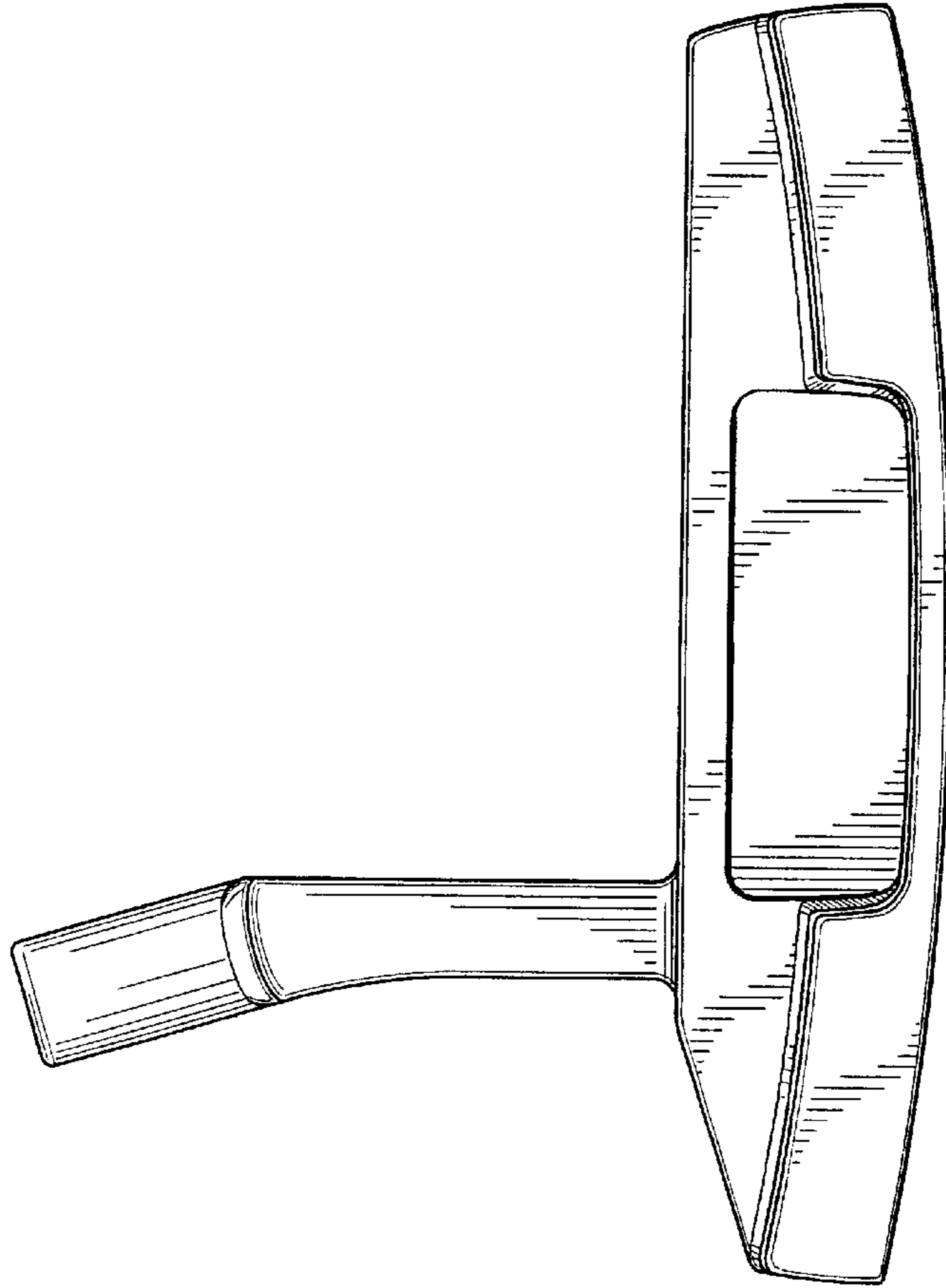


FIG. 4

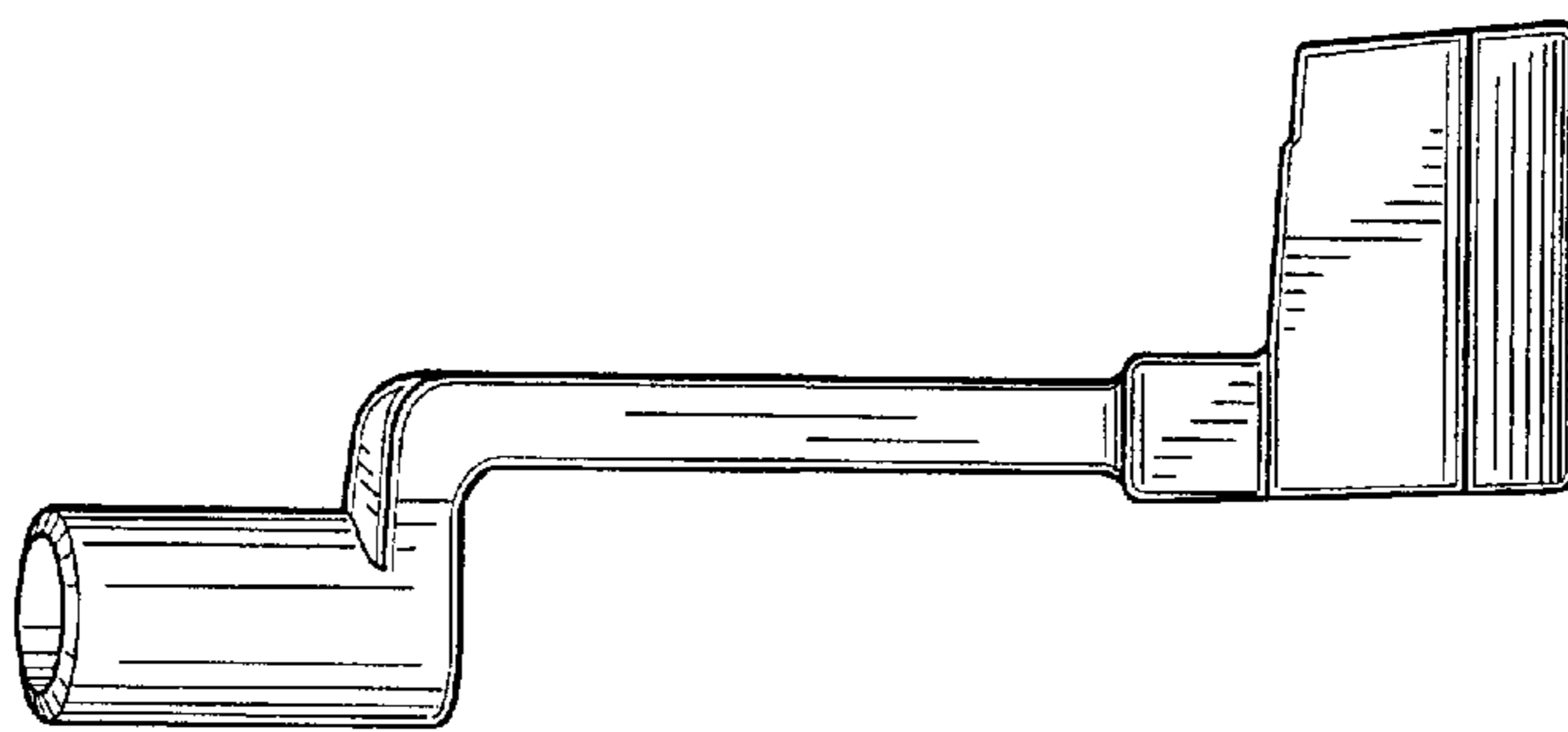


FIG. 5

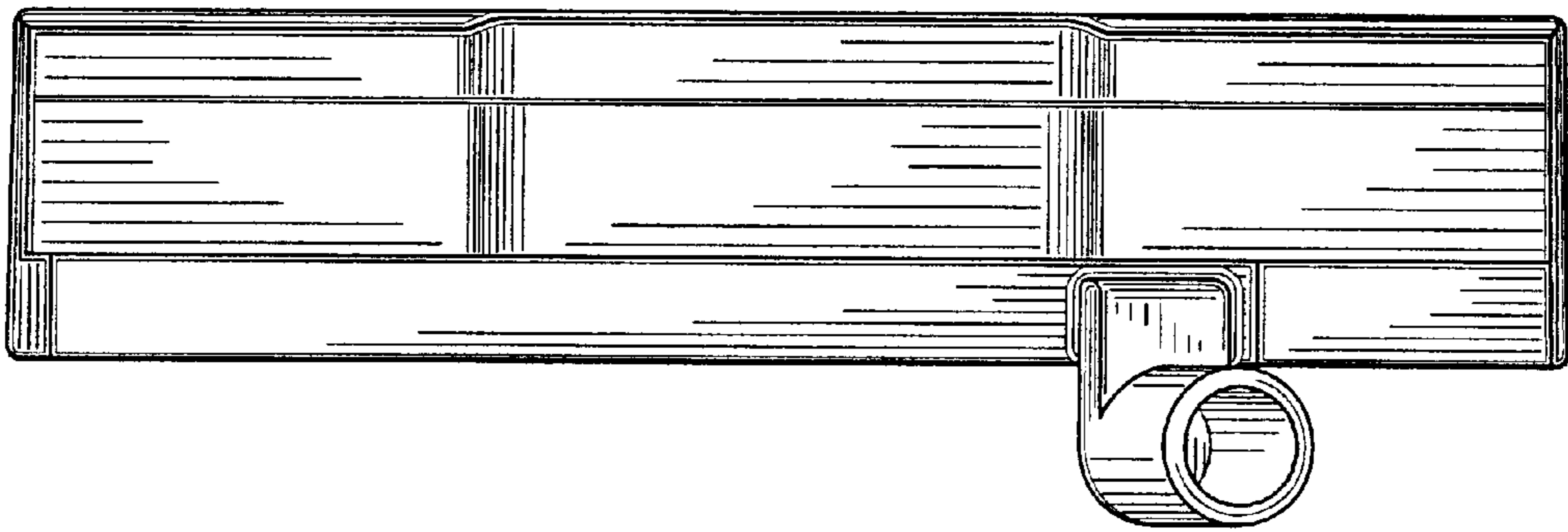
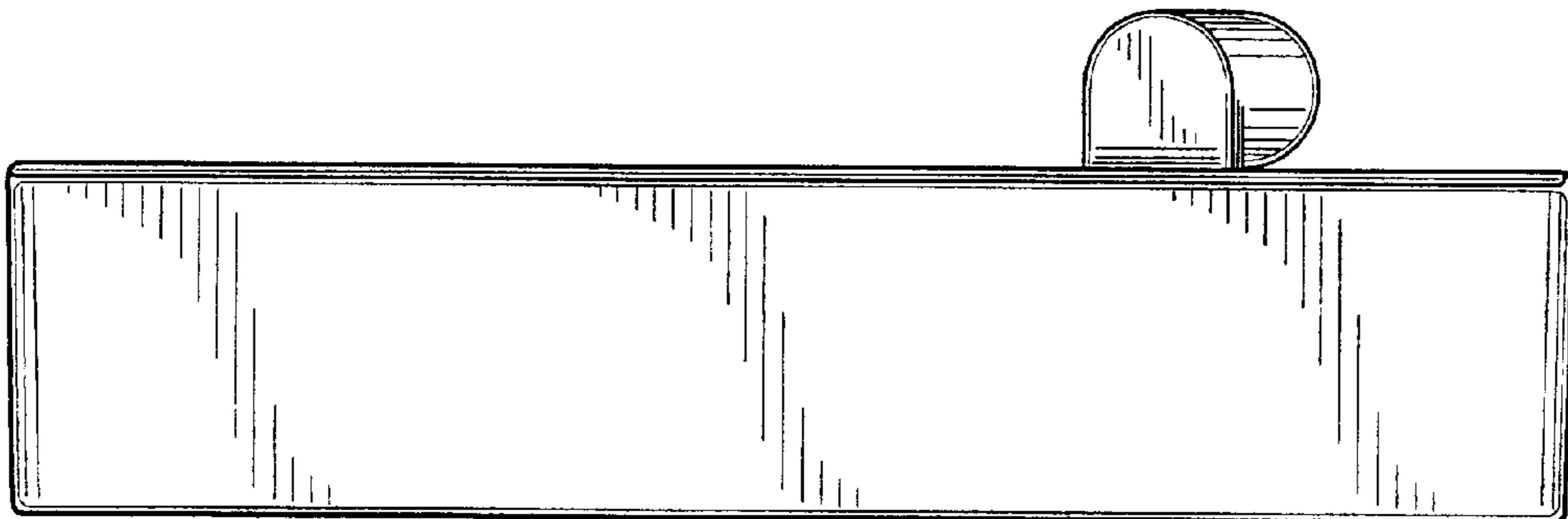


FIG. 6



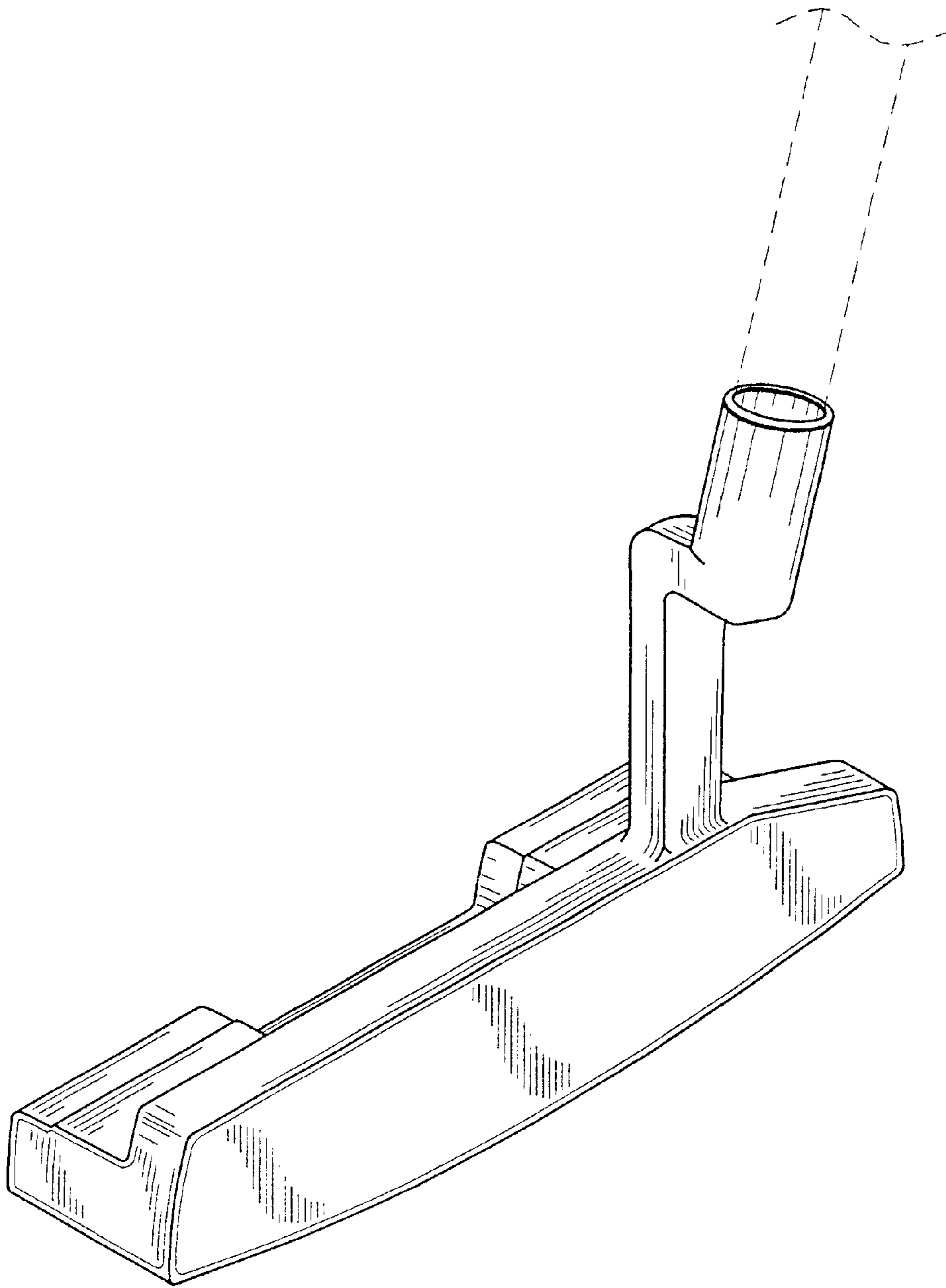


FIG. 7