



US00D483820S

(12) **United States Design Patent**
Weiser et al.

(10) **Patent No.:** **US D483,820 S**

(45) **Date of Patent:** **** Dec. 16, 2003**

(54) **LADYBUG NOVELTY**

D416,047 S * 11/1999 Kwok D21/650
D461,209 S * 8/2002 Hornsby et al. D21/650

(75) Inventors: **Margaret Weiser**, Tarzana, CA (US);
Shari Weiser, Woodland Hills, CA (US)

* cited by examiner

(73) Assignee: **Exhart Environmental Systems, Inc.**,
Chatsworth, CA (US)

Primary Examiner—Sandra L. Morris
(74) *Attorney, Agent, or Firm*—Cislo & Thomas LLP

(**) Term: **14 Years**

(57) **CLAIM**

The ornamental design for a ladybug novelty, as shown and described.

(21) Appl. No.: **29/172,505**

DESCRIPTION

(22) Filed: **Dec. 11, 2002**

(51) **LOC (7) Cl.** **21-01**

(52) **U.S. Cl.** **D21/650; D21/585**

(58) **Field of Search** D11/158, 162;
D21/465, 467, 576, 578, 584, 585, 650;
446/72, 97-98, 268, 272, 295-296, 368-369

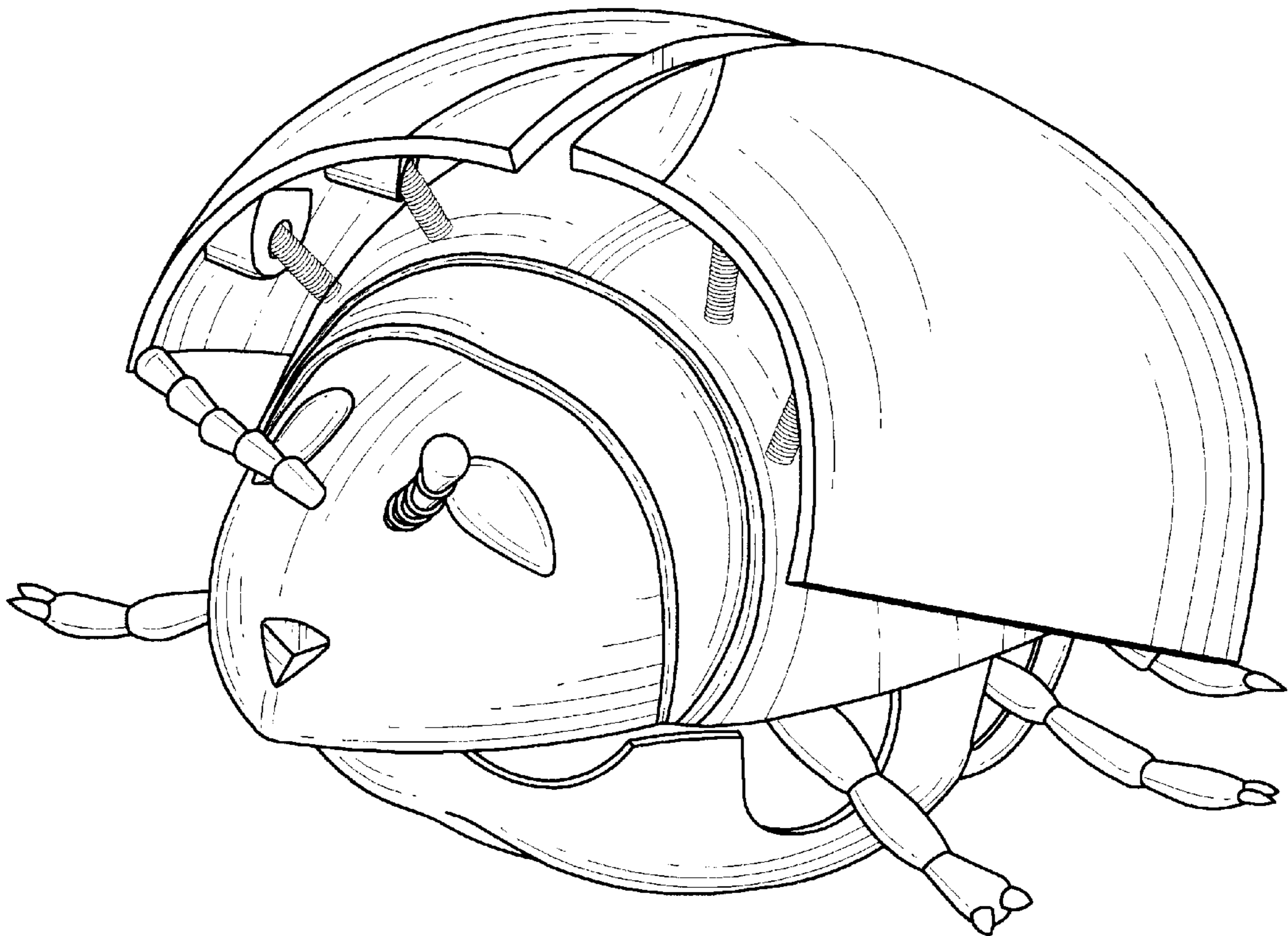
FIG. 1. Is a perspective view of our ladybug novelty;
FIG. 2. Is a right side elevational view thereof with the left side elevational view being a substantial mirror image thereof;
FIG. 3. Is a bottom view thereof;
FIG. 4. Is a front view thereof;
FIG. 5. Is a back view thereof; and,
FIG. 6. Is a top view thereof.

(56) **References Cited**

U.S. PATENT DOCUMENTS

D226,613 S * 4/1973 Stauffer D21/650

1 Claim, 4 Drawing Sheets



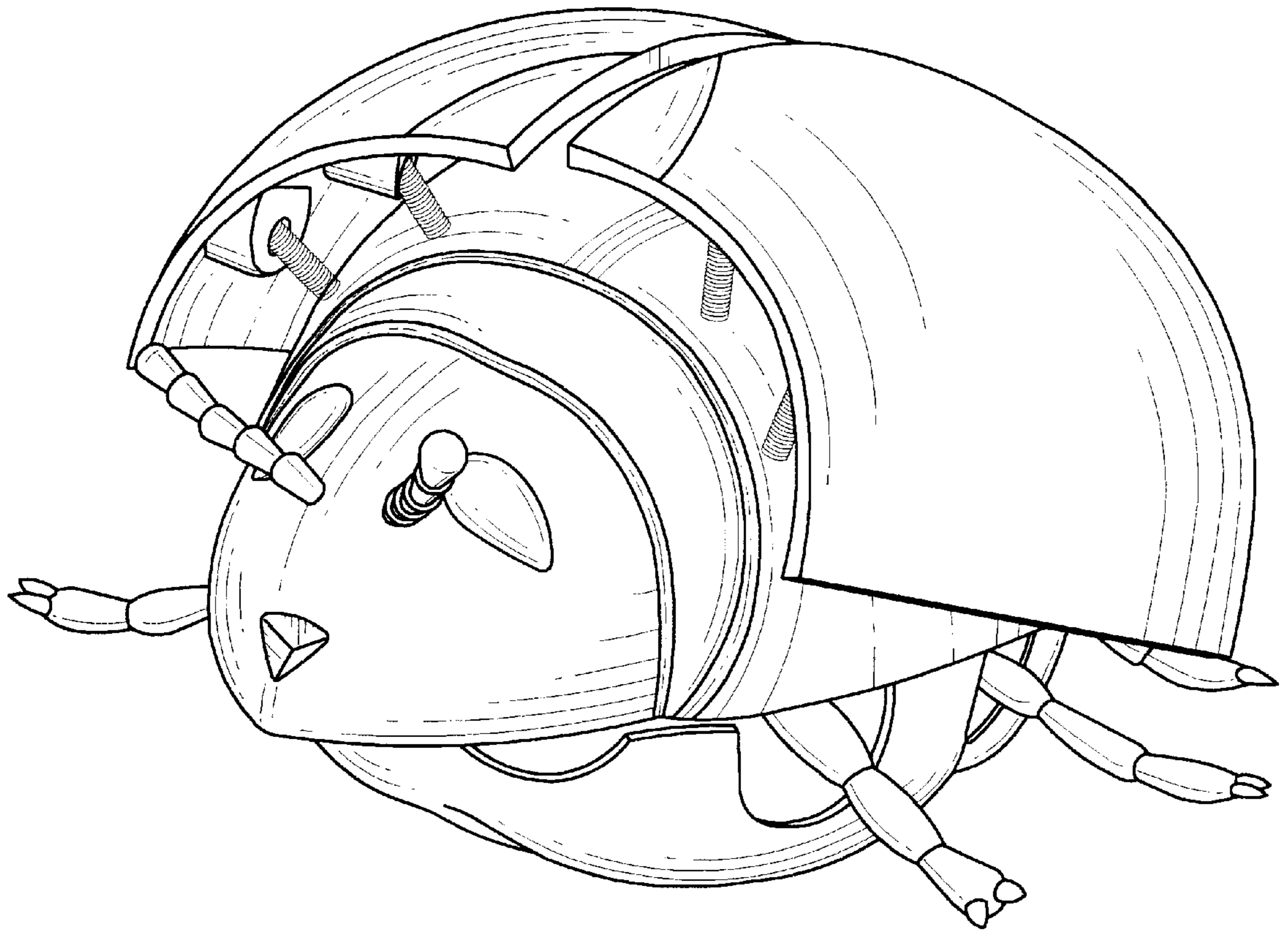


FIG. 1

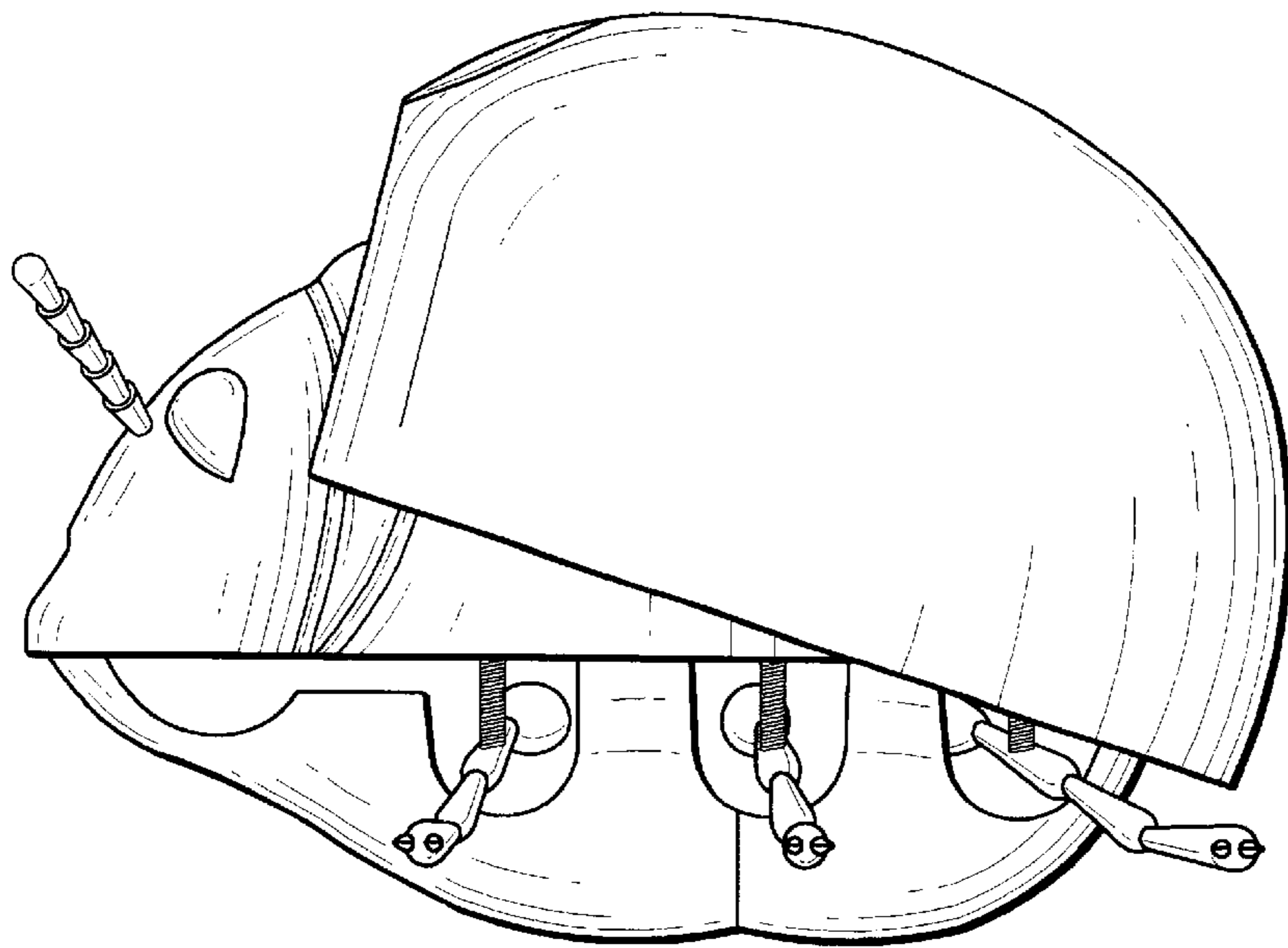


FIG. 2

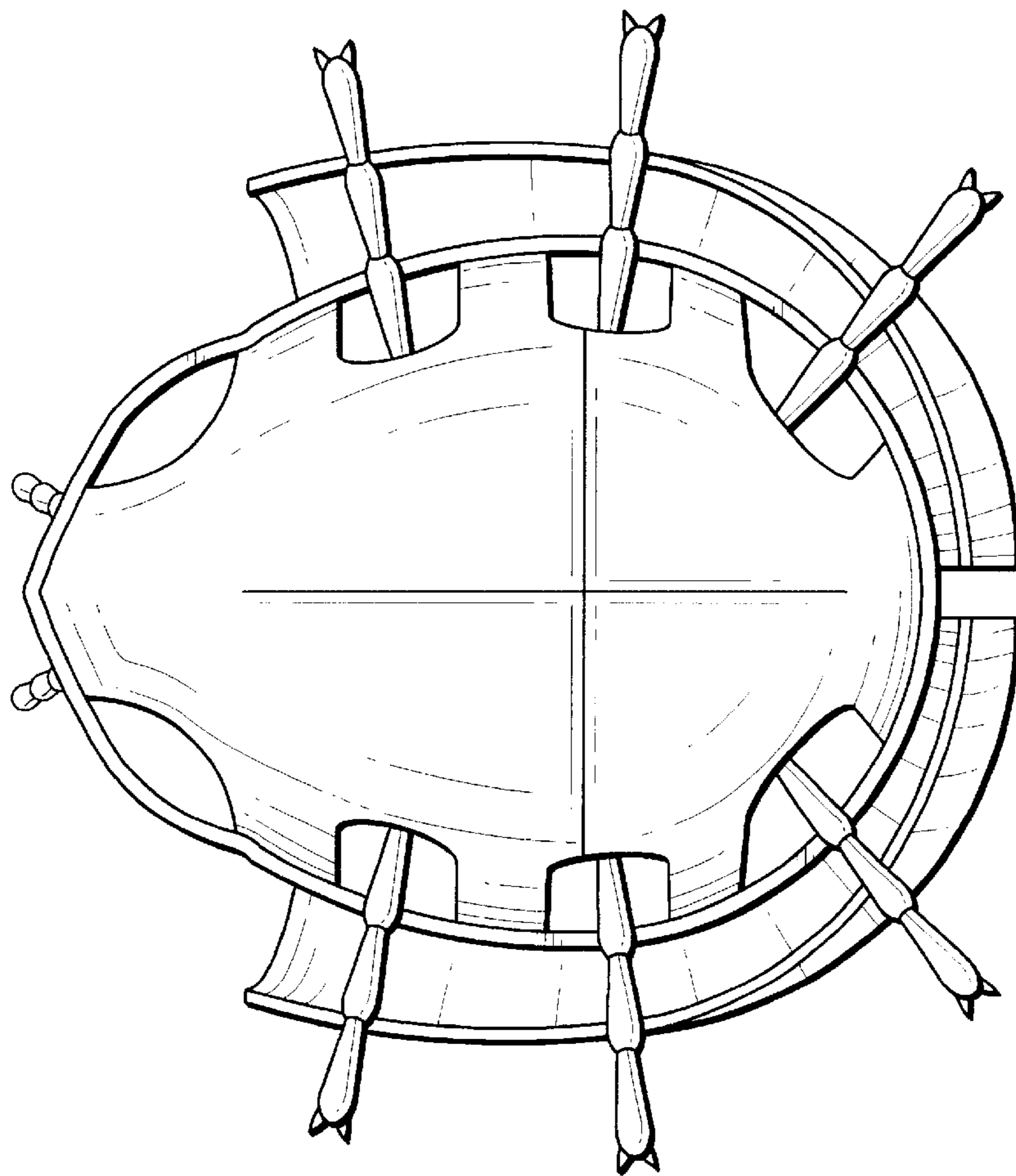


FIG. 3

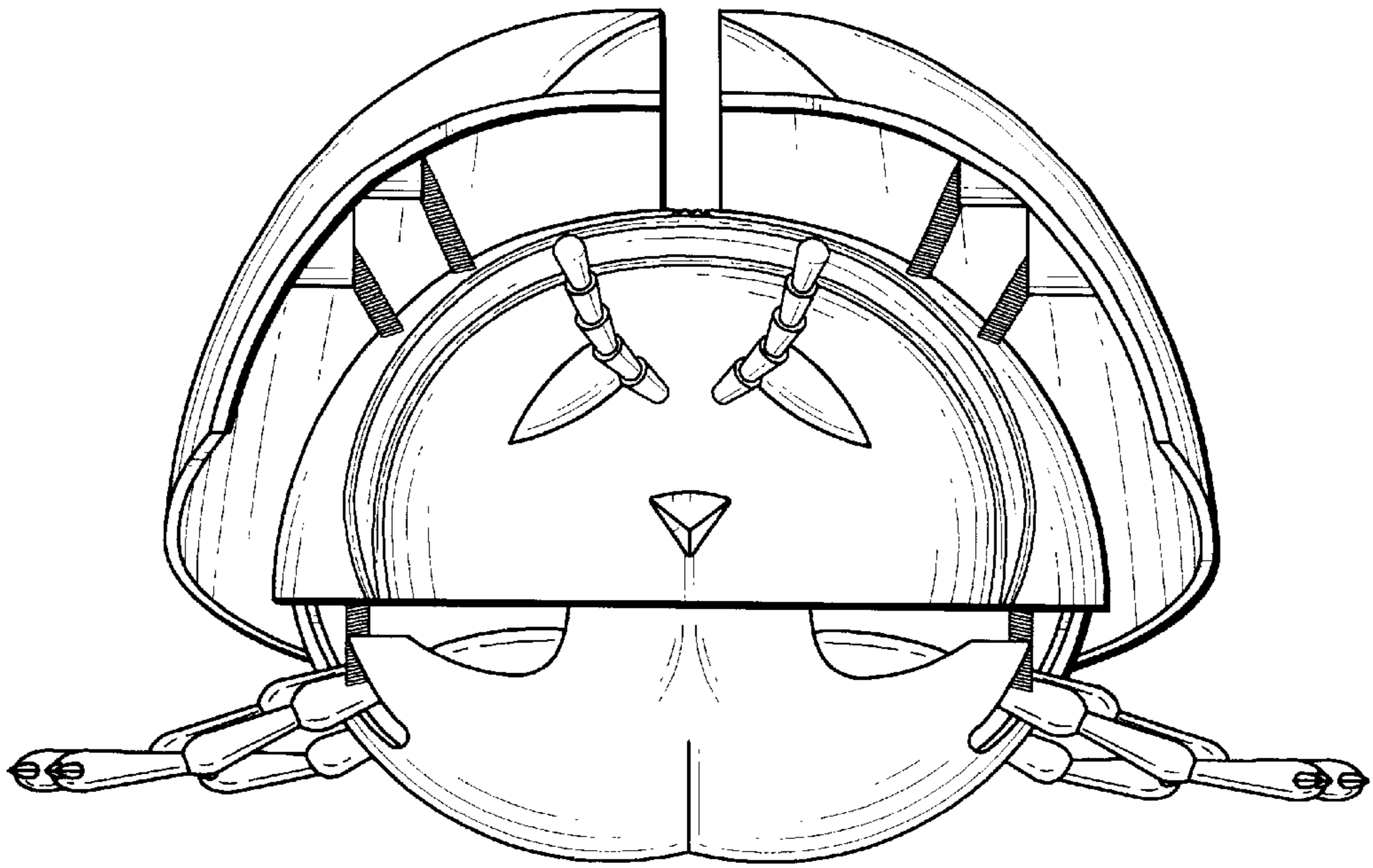


FIG. 4

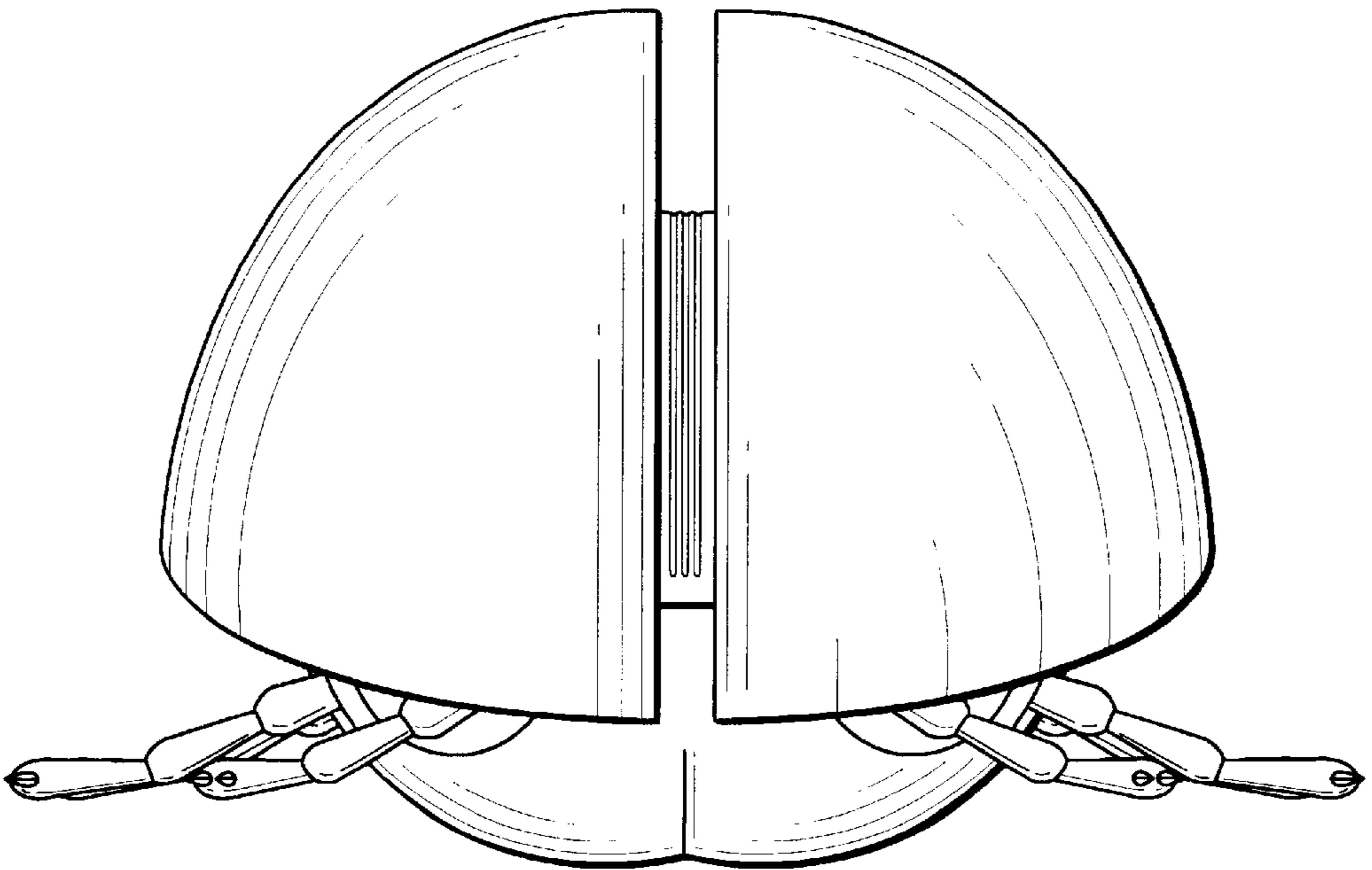


FIG. 5

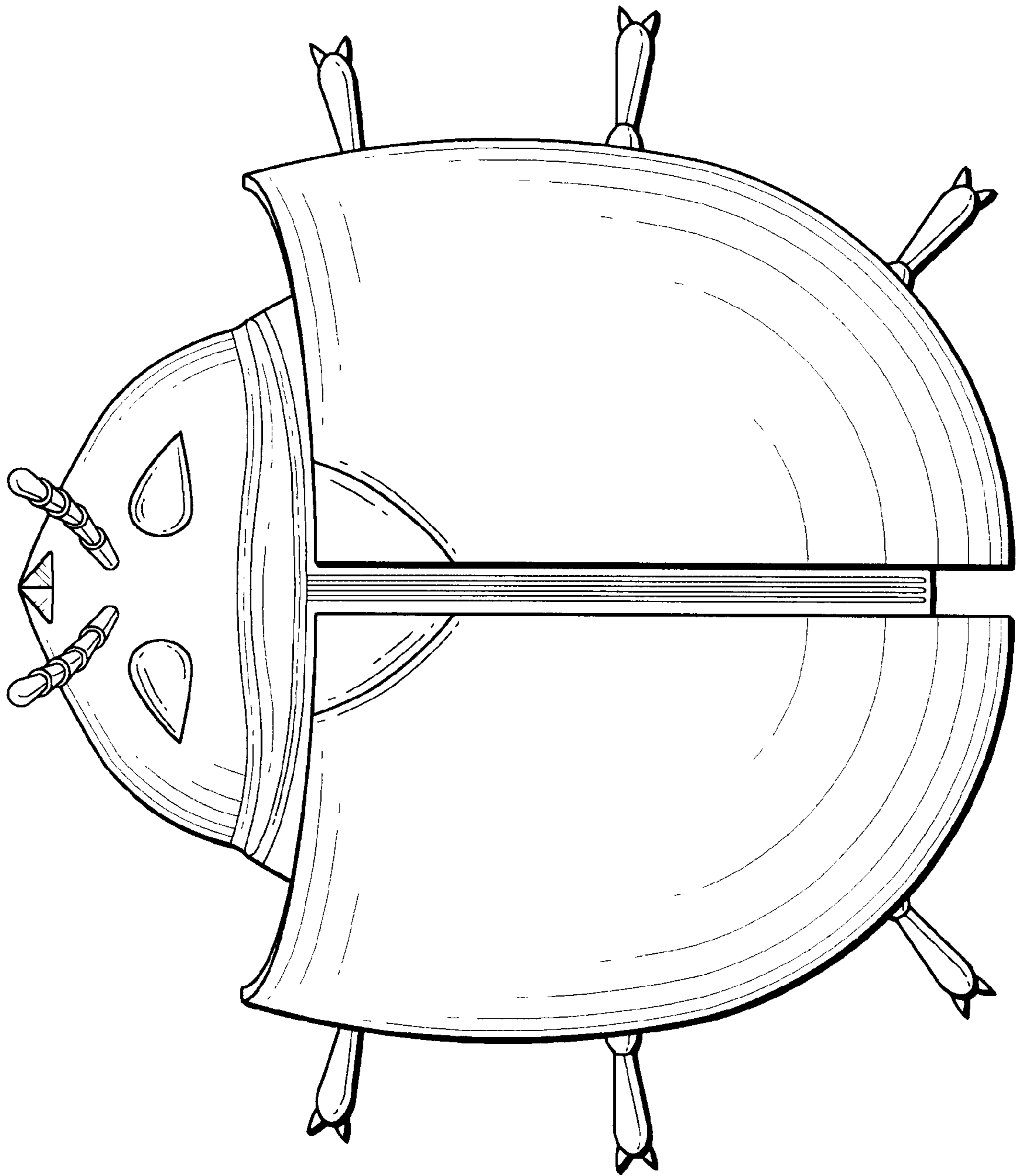


FIG. 6