



US00D483814S

(12) **United States Design Patent**  
**Brieno**

(10) **Patent No.:** **US D483,814 S**

(45) **Date of Patent:** **\*\* Dec. 16, 2003**

(54) **KITE**  
(75) **Inventor:** **Eduardo Gomez Brieno**, Lomita, CA (US)  
(73) **Assignee:** **Marvel Enterprises, Inc.**, New York, NY (US)

(\*\*) **Term:** **14 Years**

(21) **Appl. No.:** **29/165,271**  
(22) **Filed:** **Aug. 6, 2002**

(51) **LOC (7) Cl.** ..... **21-01**  
(52) **U.S. Cl.** ..... **D21/445**  
(58) **Field of Search** ..... D21/436, 445, D21/449, 453, 419, 421, 423, 765, 760, 766, 768, 771, 801, 803; 446/30-32, 34, 36, 61, 66, 68, 217, 218, 236, 490; 244/153 R, 155 R, 155 A, 153 A, 154; 280/87.042

(56) **References Cited**

**U.S. PATENT DOCUMENTS**

1,925,427 A \* 9/1933 Wurtzer ..... 244/154  
2,035,730 A \* 3/1936 Trevor ..... 244/154  
2,476,801 A \* 7/1949 Blazi ..... 244/153 R  
2,931,600 A \* 4/1960 Riker ..... 244/153 R  
3,026,073 A \* 3/1962 Albertson, Jr. .... 244/153 R

3,241,793 A \* 3/1966 Curtis et al. .... 244/153 R  
4,634,085 A \* 1/1987 Cuesta et al. .... 244/153 R  
4,715,564 A \* 12/1987 Kinn et al. .... 244/153 R  
5,706,680 A \* 1/1998 Wroble ..... 70/18  
6,315,246 B1 \* 11/2001 Wu et al. .... 244/153 R  
6,338,494 B1 \* 1/2002 Killian ..... 280/87.042  
6,398,614 B1 \* 6/2002 Wu et al. .... 446/217

\* cited by examiner

*Primary Examiner*—Philip S. Hyder  
*Assistant Examiner*—C Tuttle  
(74) *Attorney, Agent, or Firm*—Melvin I. Stoltz

(57) **CLAIM**

The ornamental design for a kite, as shown and described.

**DESCRIPTION**

FIG. 1 is a perspective view of the kite showing our new design;  
FIG. 2 is a bottom plan view thereof;  
FIG. 3 is a top plan view thereof;  
FIG. 4 is a side elevation view thereof, the opposite side being identical in appearance; and,  
FIG. 5 is a front view thereof, with the rear view thereof being identical in appearance.  
The broken lines shown in FIG. 1 are for illustrative purposes only and form no part of the claimed design.

**1 Claim, 1 Drawing Sheet**

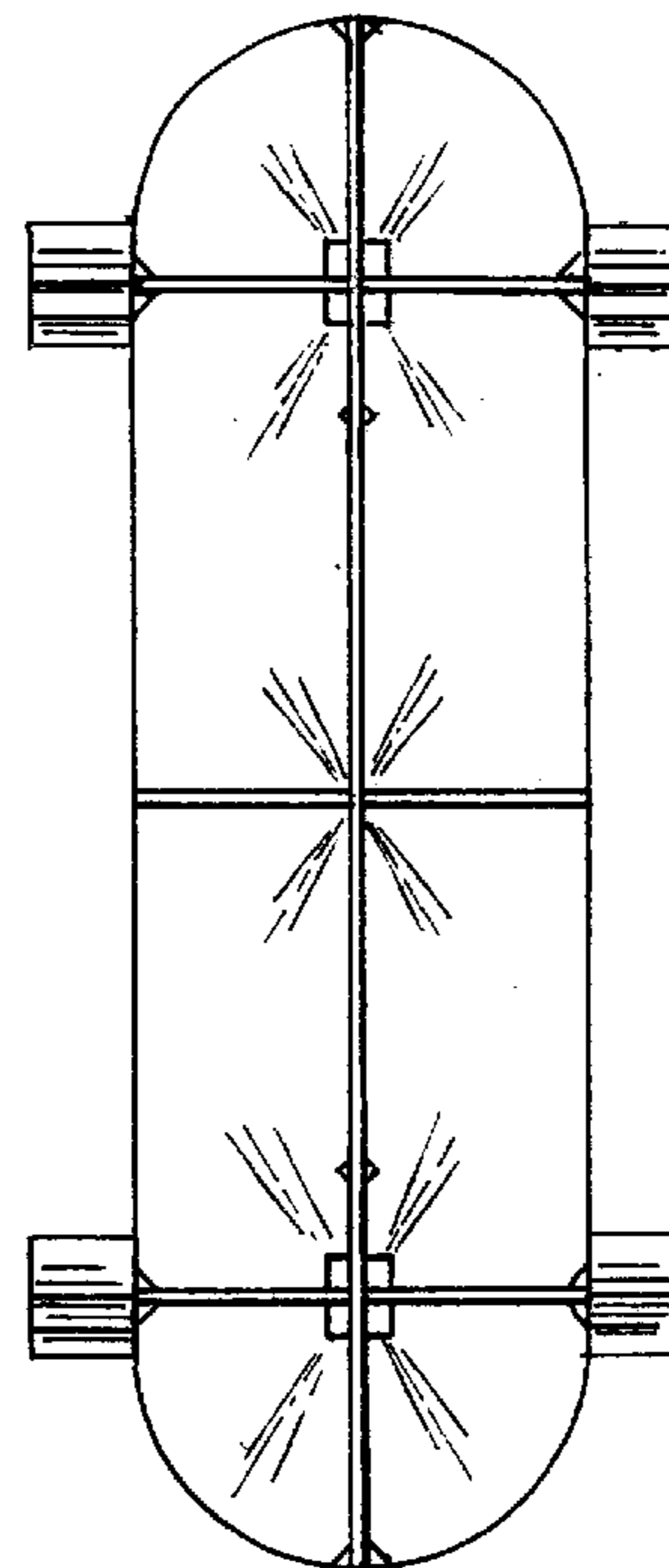
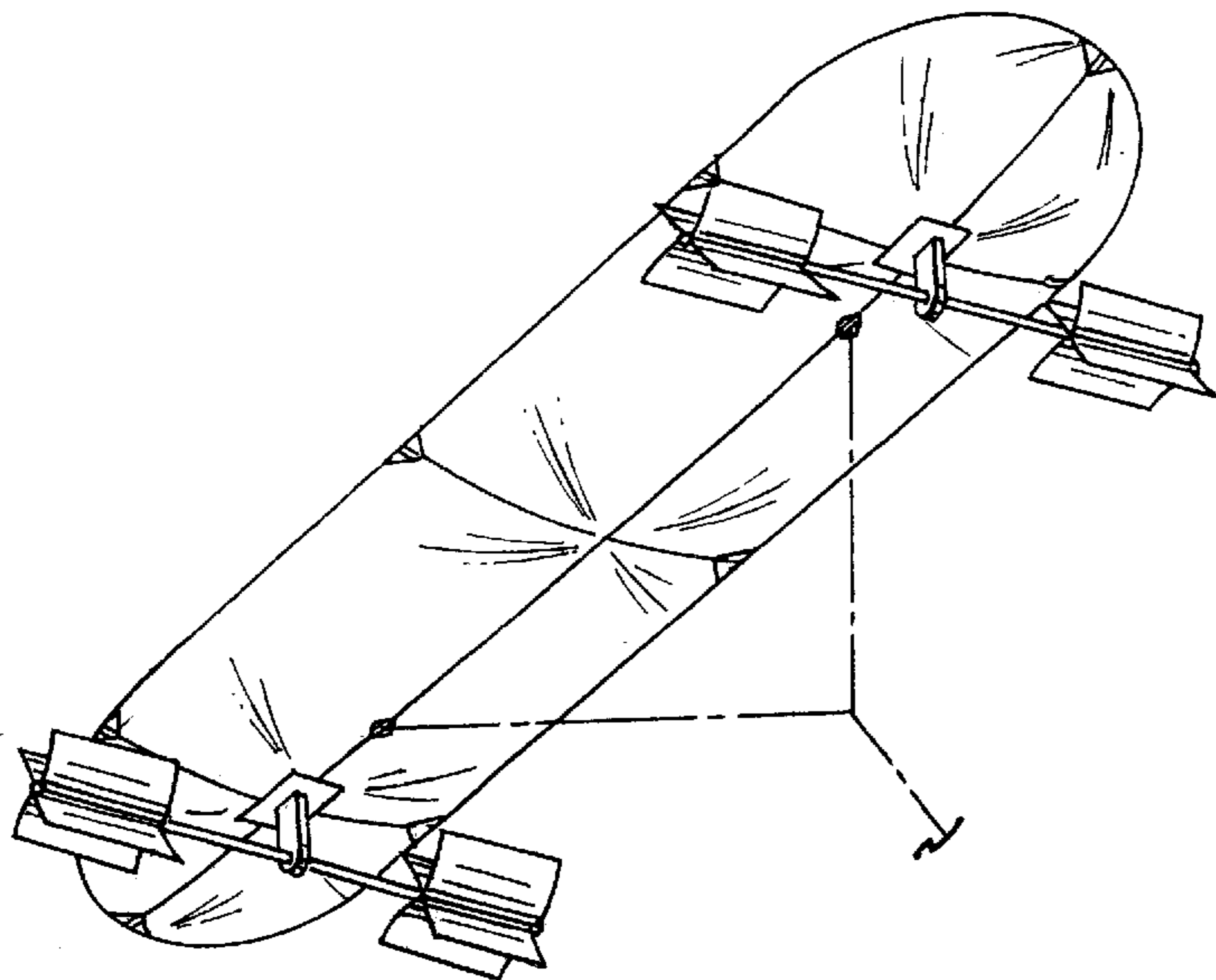


FIG. 1

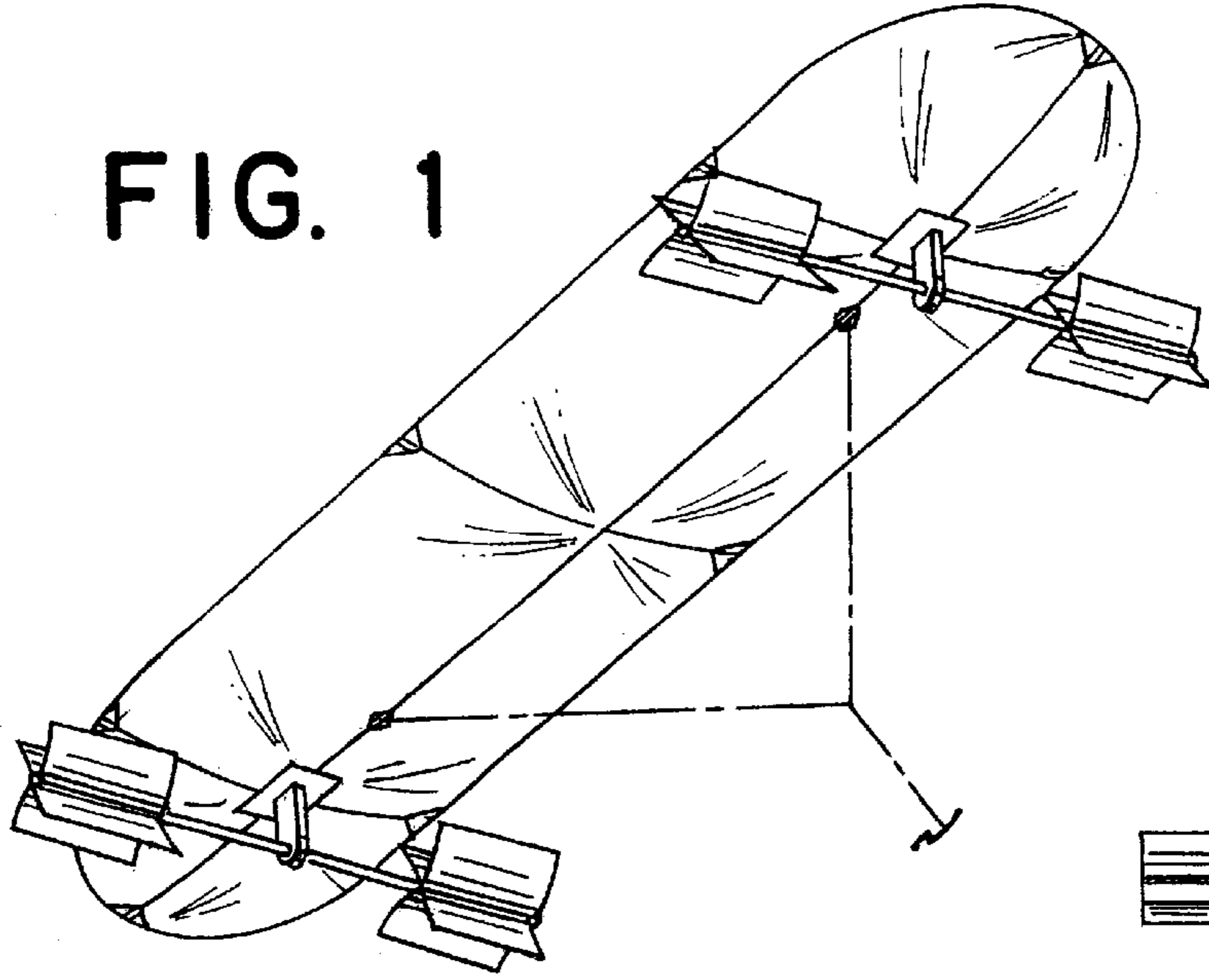


FIG. 3

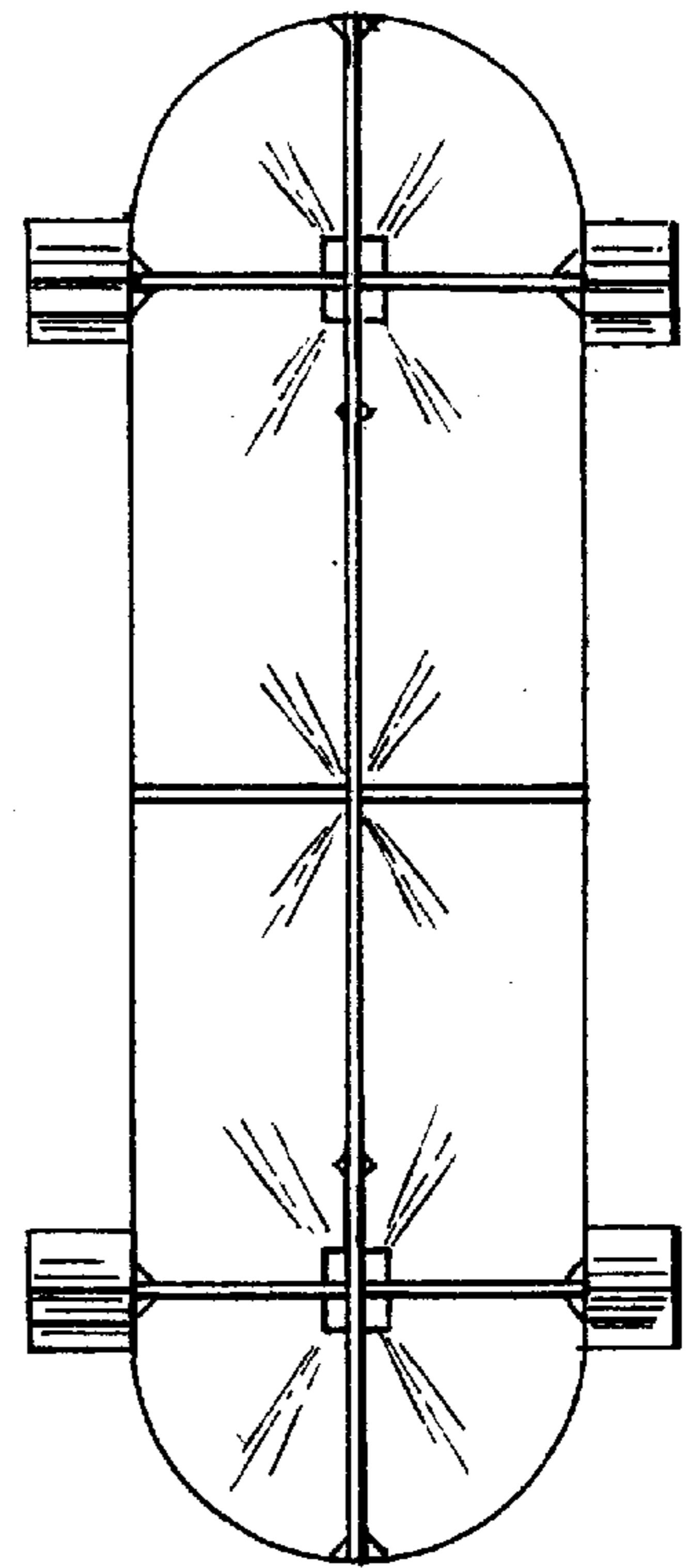


FIG. 2

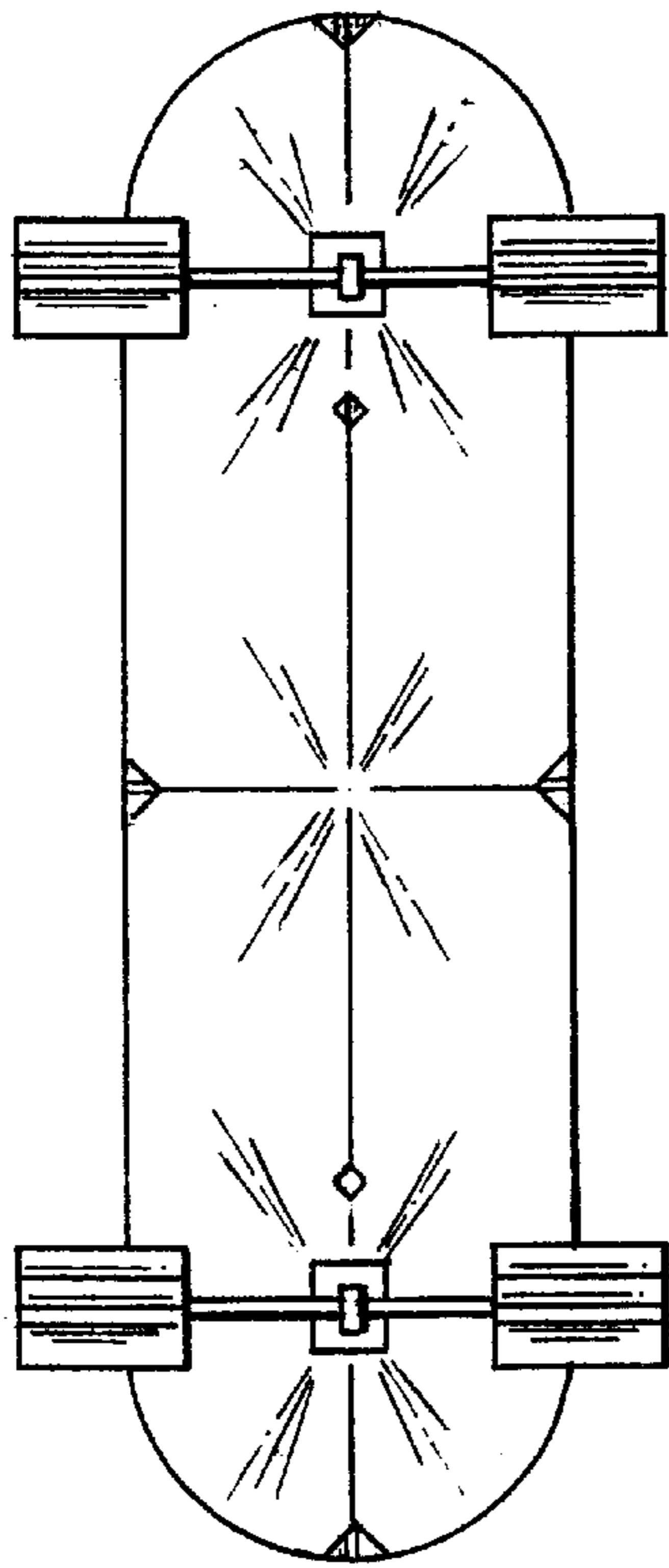


FIG. 5

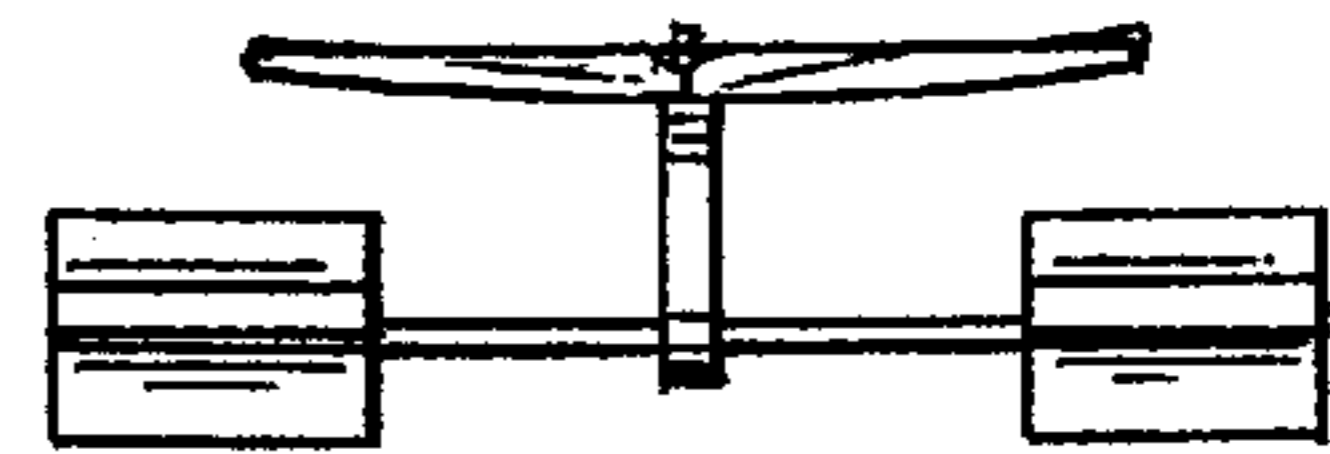


FIG. 4

