



US00D483813S

(12) **United States Design Patent**  
**Brieno et al.**

(10) **Patent No.:** **US D483,813 S**

(45) **Date of Patent:** **\*\* Dec. 16, 2003**

(54) **KITE**

(75) **Inventors:** **Eduardo Gomez Brieno**, Lomita, CA (US); **Karen L. Staff**, Hartsdale, NY (US)

(73) **Assignee:** **Marvel Enterprises, Inc.**, New York, NY (US)

(\*\*) **Term:** **14 Years**

(21) **Appl. No.:** **29/165,260**

(22) **Filed:** **Aug. 6, 2002**

(51) **LOC (7) Cl.** ..... **21-01**

(52) **U.S. Cl.** ..... **D21/445**

(58) **Field of Search** ..... D21/436, 445, D21/449, 453, 419, 421, 423, 760, 765, 766, 768, 769, 771, 801, 803; 446/30-32, 34, 36, 61, 66, 68, 217-218, 236, 490; 244/153 R, 155 R, 155 A, 153 A, 154; 280/87.042

(56) **References Cited**

**U.S. PATENT DOCUMENTS**

1,925,427 A *	9/1933	Wurtzer	.....	244/154
2,035,730 A *	3/1936	Trevor	.....	244/154
2,476,801 A *	7/1949	Blazi	.....	244/153 R
2,931,600 A *	4/1960	Riker	.....	244/153 R
3,026,073 A *	3/1962	Albertson, Jr.	.....	244/153 R

3,241,793 A *	3/1966	Curtis et al.	.....	244/153 R
4,363,458 A *	12/1982	Jones et al.	.....	244/153 R
4,634,085 A *	1/1987	Cuesta et al.	.....	244/153 R
4,715,564 A *	12/1987	Kinn et al.	.....	244/153 R
5,419,570 A *	5/1995	Bollotte	.....	280/47.041
6,059,315 A *	5/2000	Selph	.....	280/87.042 X
6,315,246 B1 *	11/2001	Wu et al.	.....	244/153 R
6,398,614 B1 *	6/2002	Wu et al.	.....	446/217

\* cited by examiner

*Primary Examiner*—Philip S. Hyder

*Assistant Examiner*—C Tuttle

(74) *Attorney, Agent, or Firm*—Melvin I. Stoltz

(57) **CLAIM**

The ornamental design for a kite, as shown and described.

**DESCRIPTION**

FIG. 1 is a perspective view of the kite showing our new design;

FIG. 2 is a bottom plan view thereof;

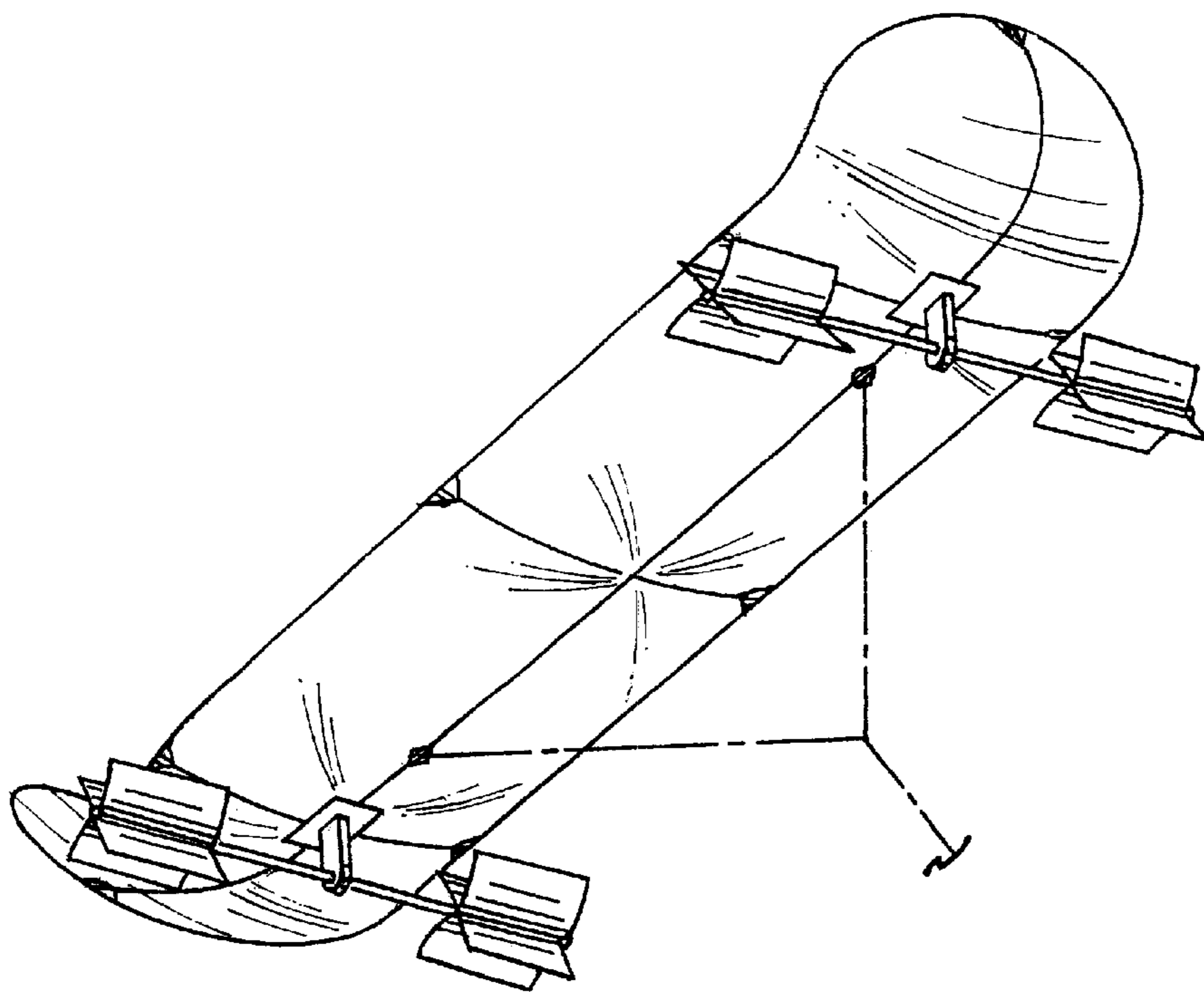
FIG. 3 is a top plan view thereof;

FIG. 4 is a side elevation view thereof, the opposite side being identical in appearance; and,

FIG. 5 is a front view thereof, with the rear view thereof being identical in appearance.

The broken lines shown in FIG. 1 are for illustrative purposes only and form no part of the claimed design.

**1 Claim, 1 Drawing Sheet**



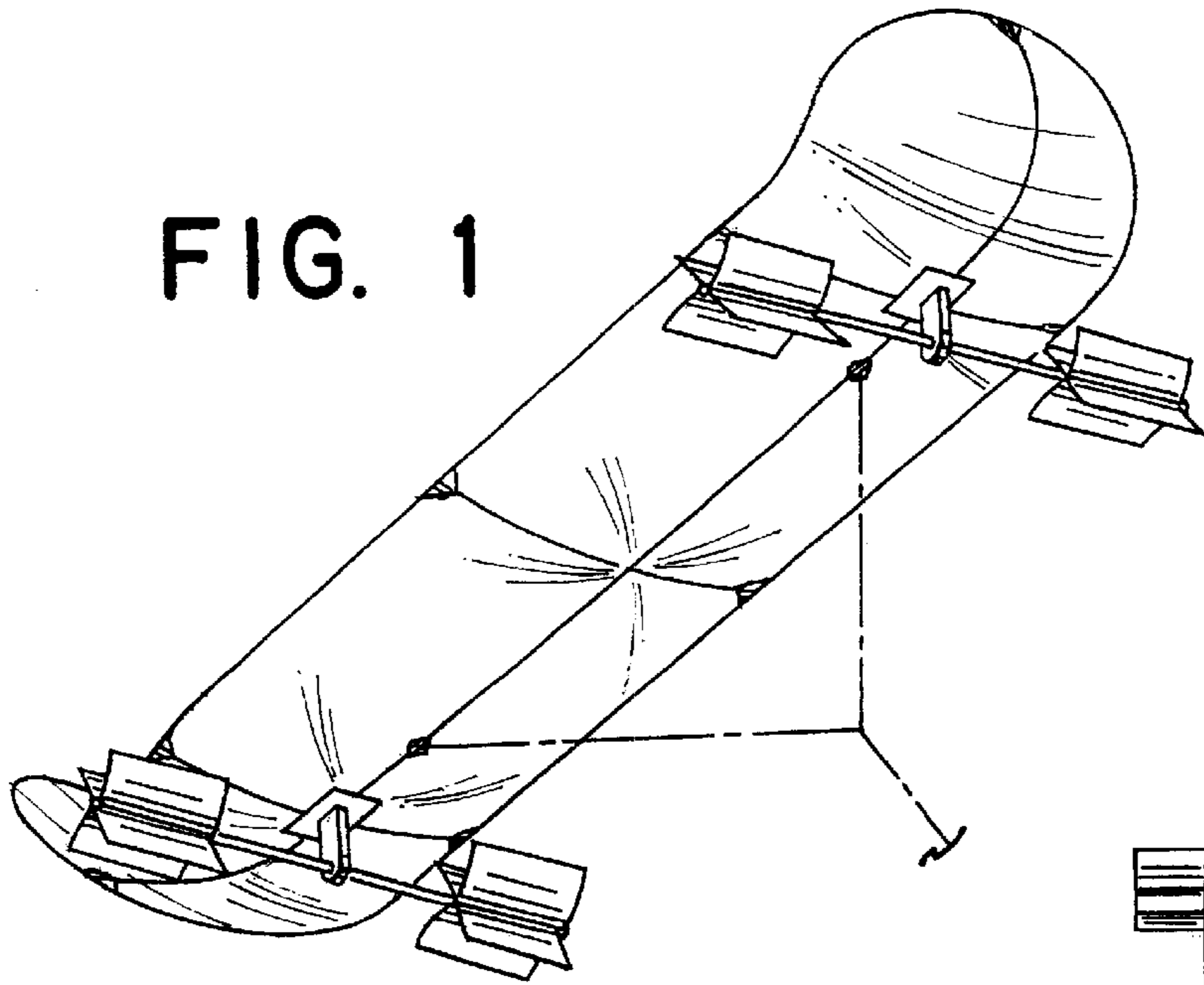


FIG. 1

FIG. 3

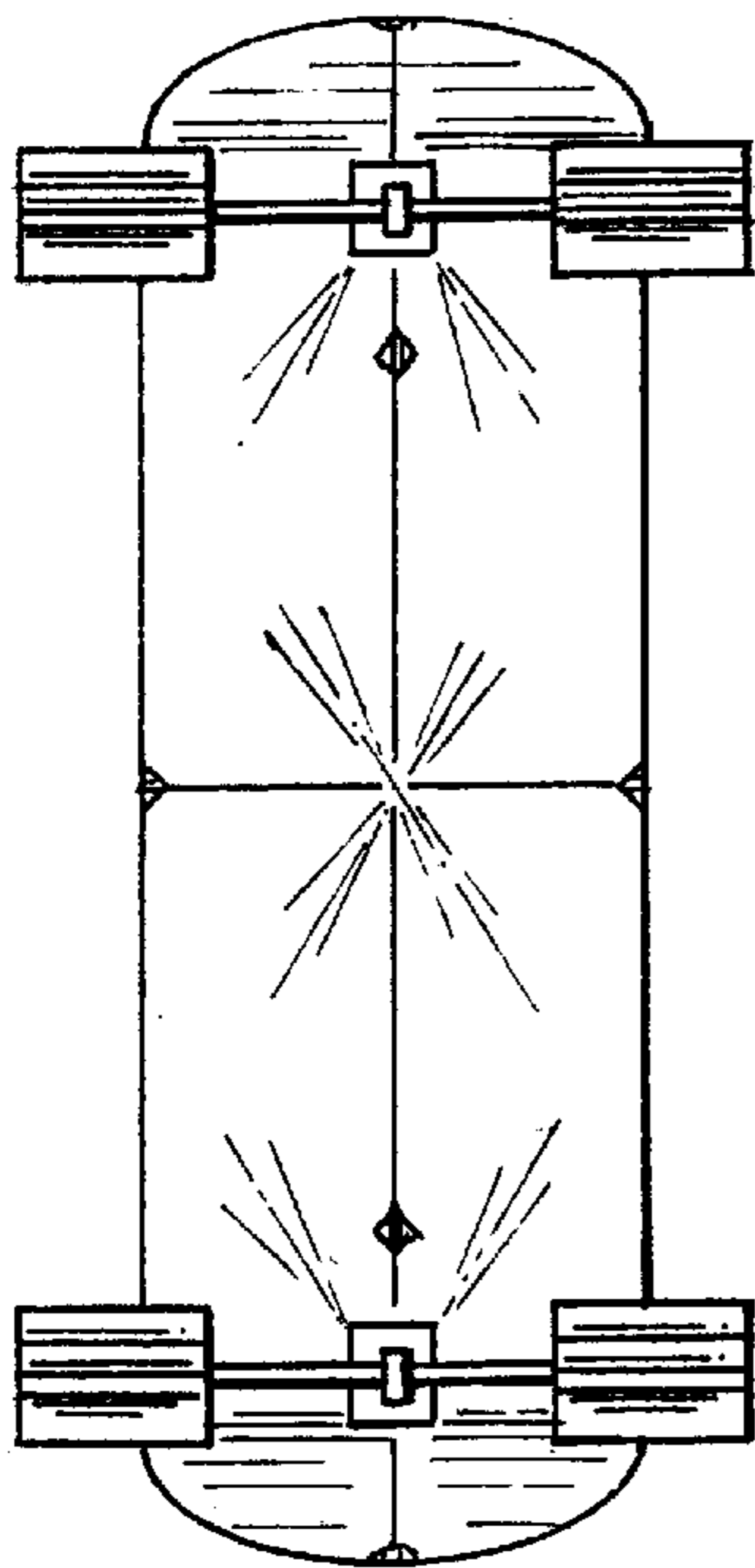
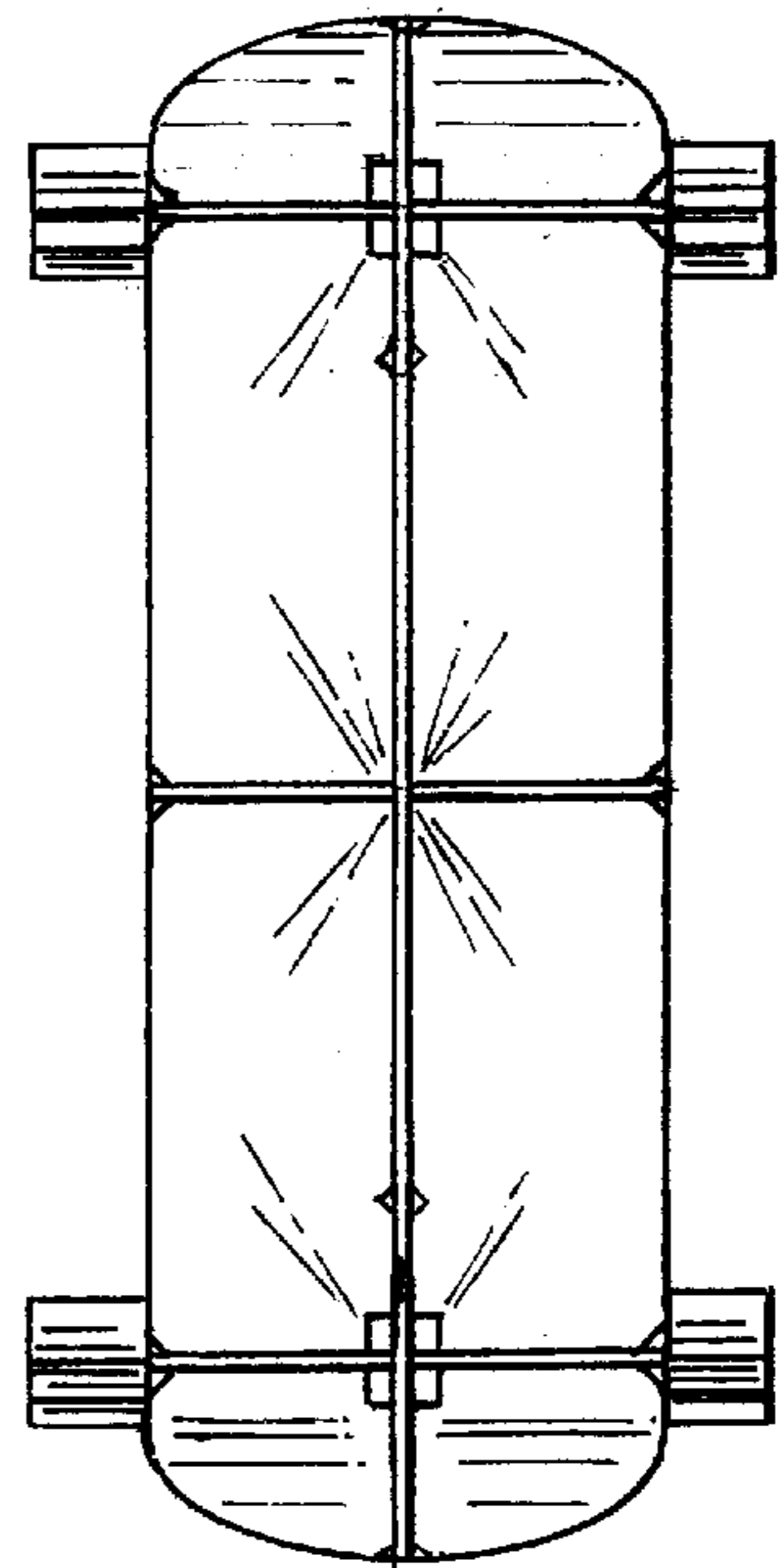


FIG. 2

FIG. 5

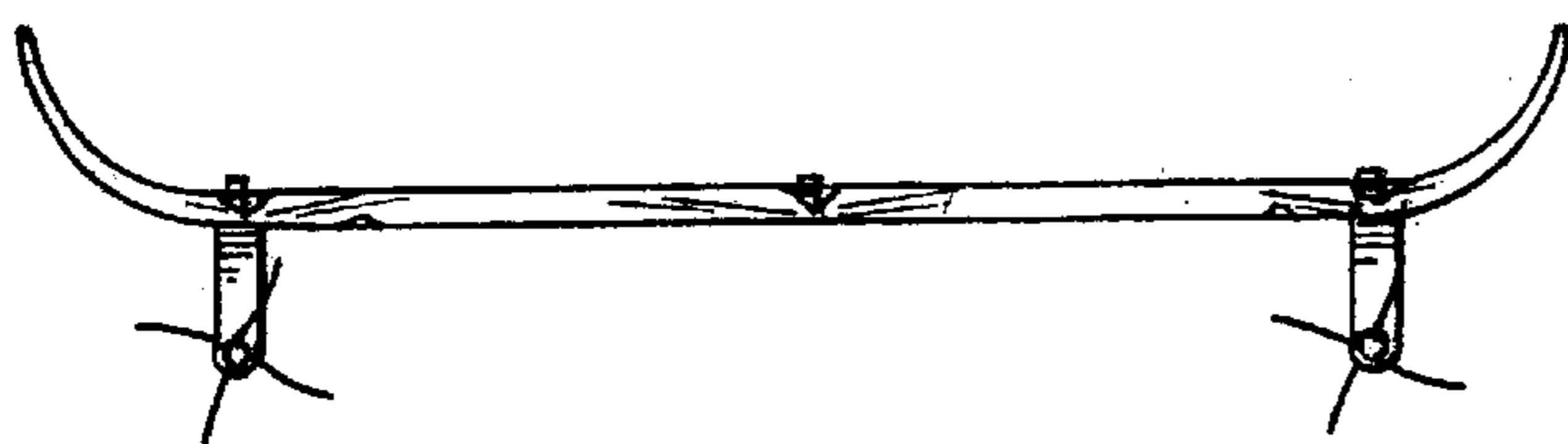
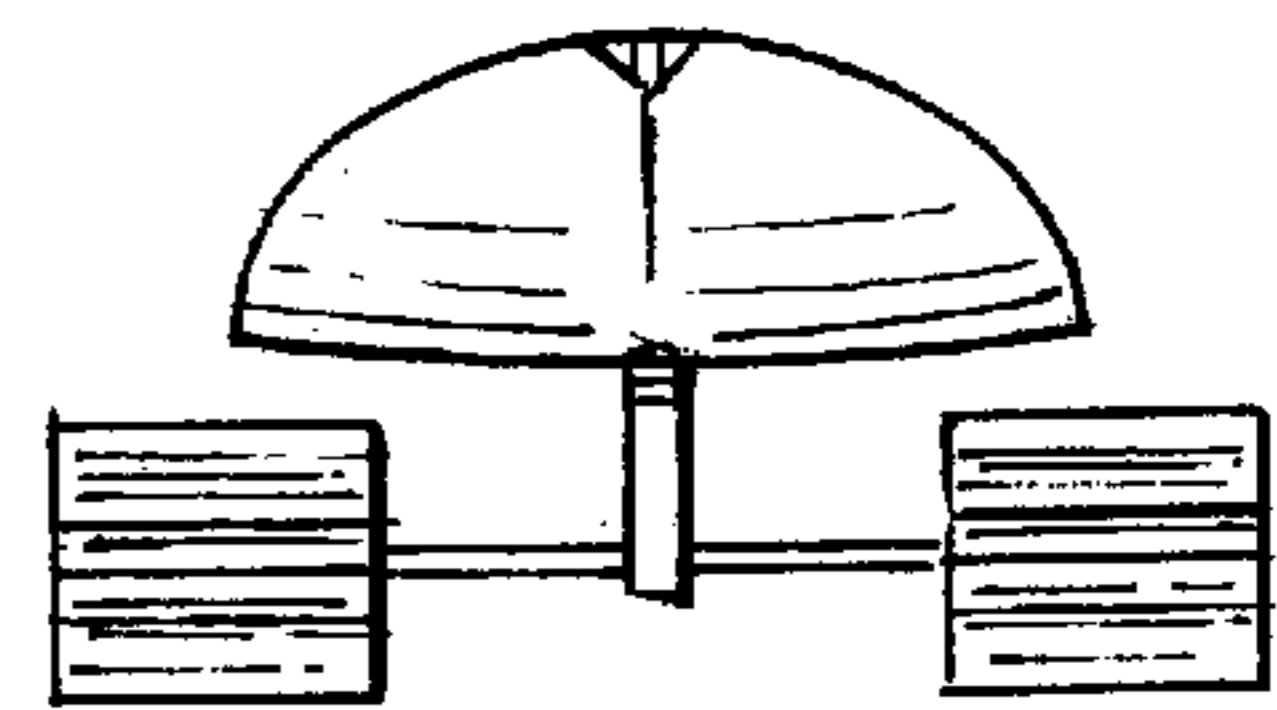


FIG. 4