



US00D483811S

(12) **United States Design Patent**
White et al.

(10) **Patent No.:** **US D483,811 S**

(45) **Date of Patent:** **** Dec. 16, 2003**

(54) **HANDHELD BINGO PLAYING DEVICE**

(75) Inventors: **Rick White**, Rancho Mirage, CA (US);
Dave Foreman, Rancho Mirage, CA (US)

(73) Assignee: **Planet Bingo, Inc.**, Rancho Mirage, CA (US)

(**) Term: **14 Years**

(21) Appl. No.: **29/177,013**

(22) Filed: **Mar. 3, 2003**

(51) **LOC (7) Cl.** **21-01**

(52) **U.S. Cl.** **D21/392; D21/396**

(58) **Field of Search** D21/334-368,
D21/369, 377, 392-394, 396; 273/236-285,
148 R, 148 A, 309; 206/315

(56) **References Cited**

U.S. PATENT DOCUMENTS

D244,223 S	*	5/1977	Kucera	D21/396
4,948,139 A	*	8/1990	Heeszel	273/148 A
5,120,069 A	*	6/1992	Shaw	273/309
D363,317 S	*	10/1995	Sternberg et al.	D21/334
5,711,523 A	*	1/1998	Sternberg et al.	273/309
6,431,548 B1	*	8/2002	Voigt, IV et al.	273/284

OTHER PUBLICATIONS

Hong Kong Enterprise, Oct. 1981. p. 318, Multiplay magnetic travel set.*

* cited by examiner

Primary Examiner—Sandra L. Morris

(74) *Attorney, Agent, or Firm*—Jeffrey D. Moy; Harry M. Weiss; Weiss, Moy & Harris, P.C.

(57) **CLAIM**

The ornamental design for a handheld bingo playing device, as shown and described.

DESCRIPTION

FIG. 1 is an front elevated perspective view of the ornamental design for a handheld bingo playing device showing my new design;

FIG. 2 is a rear elevated perspective view thereof;

FIG. 3 is a top view thereof;

FIG. 4 is a front view thereof;

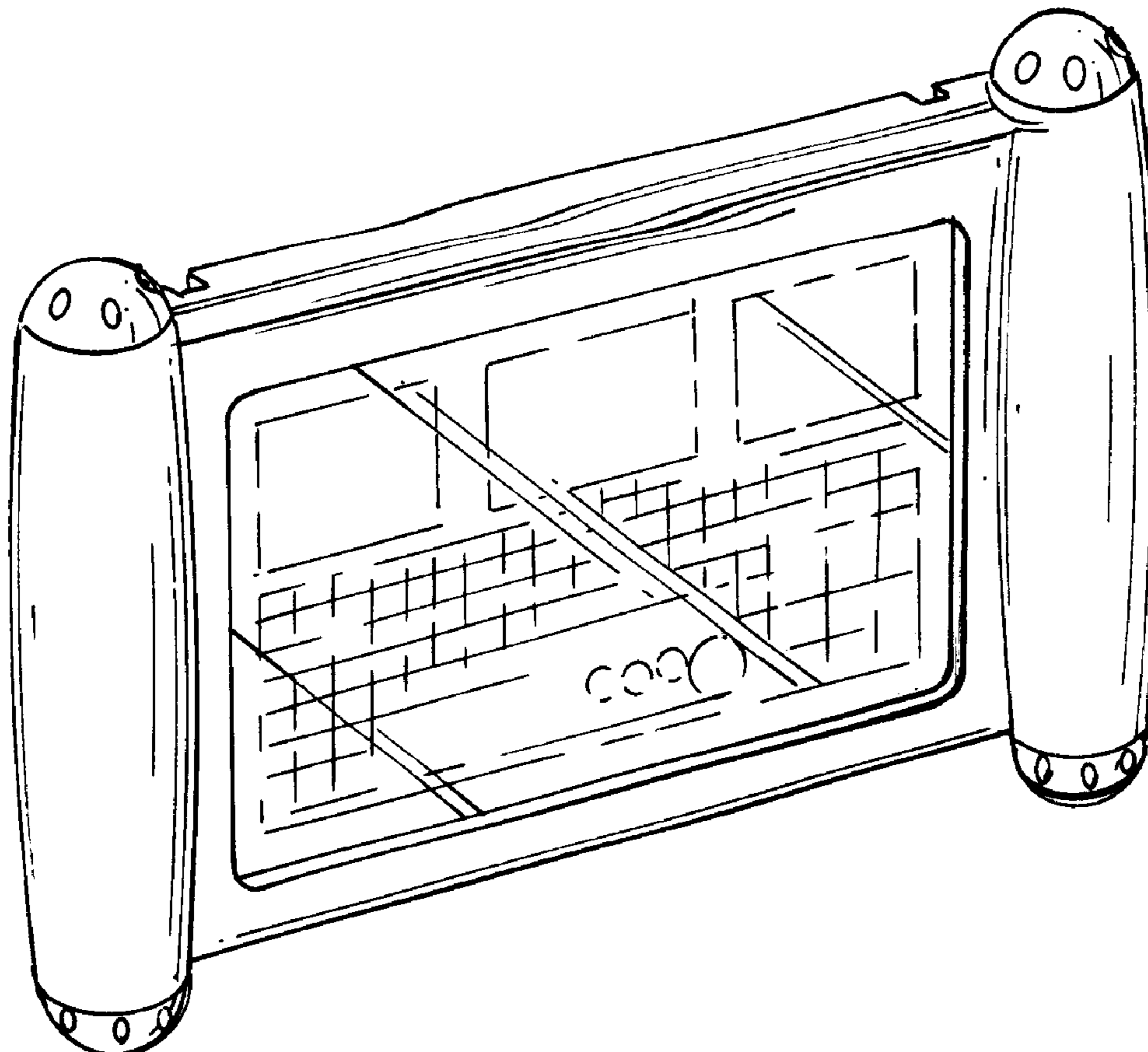
FIG. 5 is a rear view thereof;

FIG. 6 is a bottom view thereof; and,

FIG. 7 is a side view, the other side being a mirror image thereof.

The broken line showing in FIG. 1 is for illustrative purposes only, and forms no part of the claimed design.

1 Claim, 2 Drawing Sheets



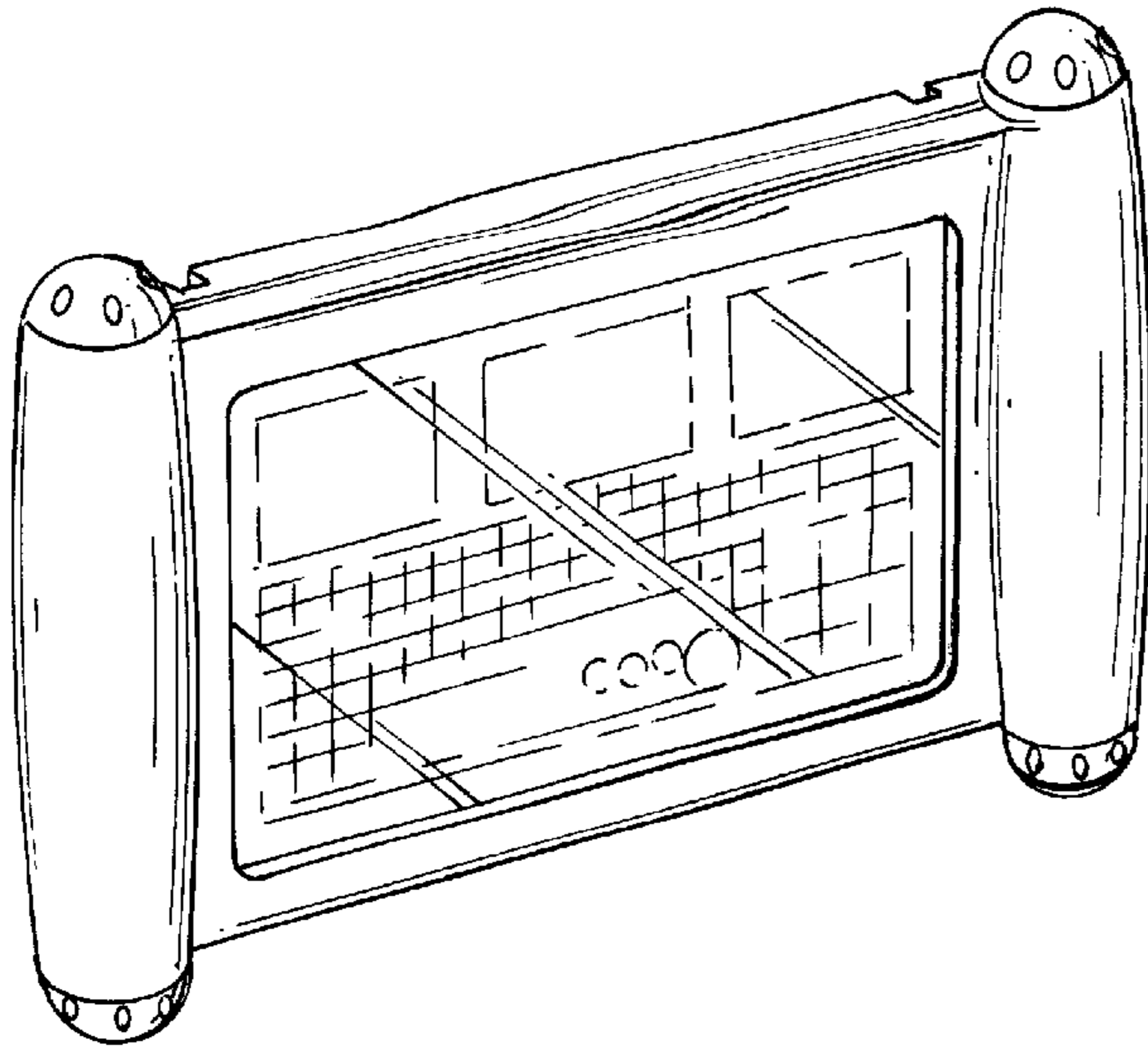


FIG. 1

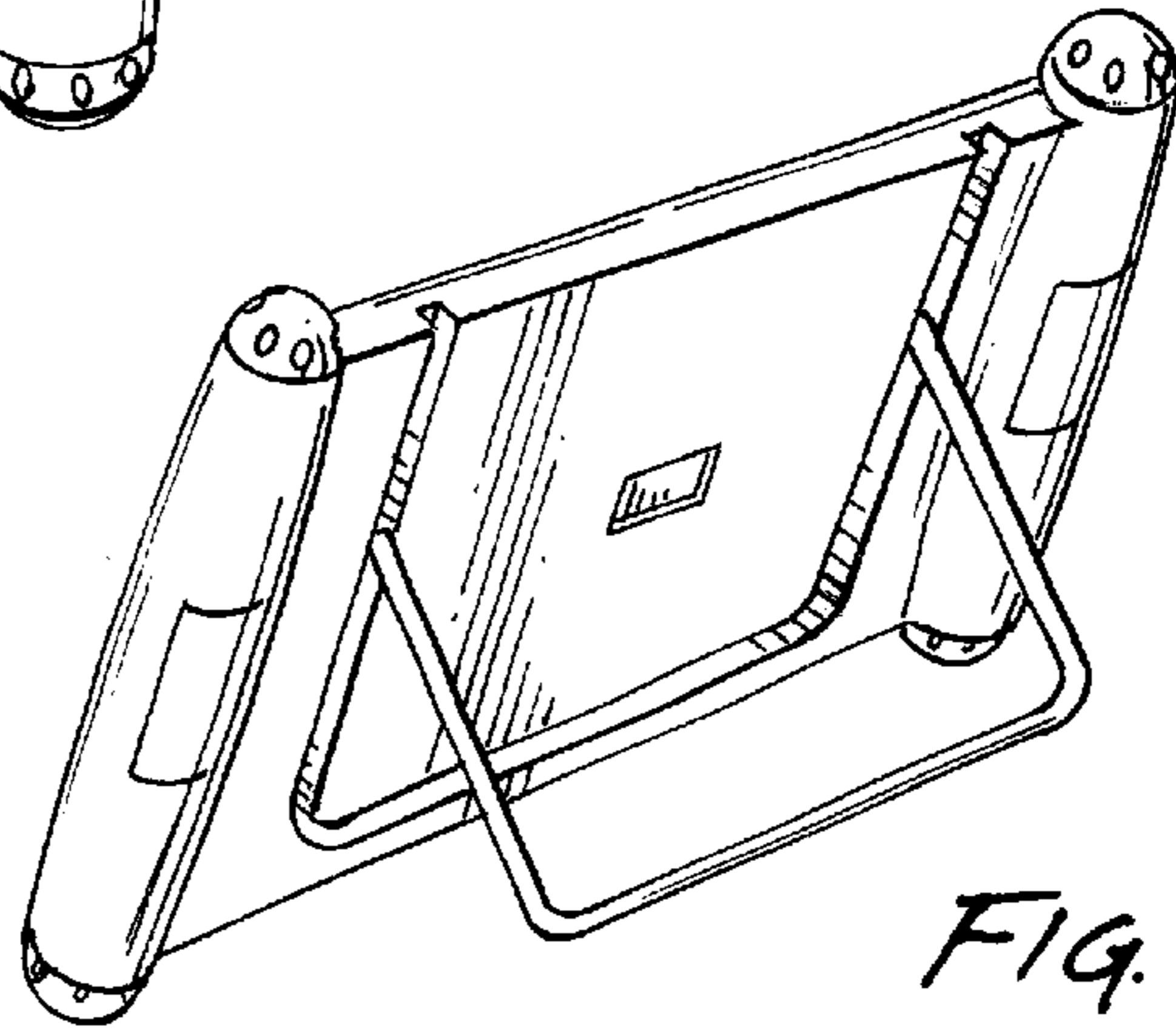


FIG. 2

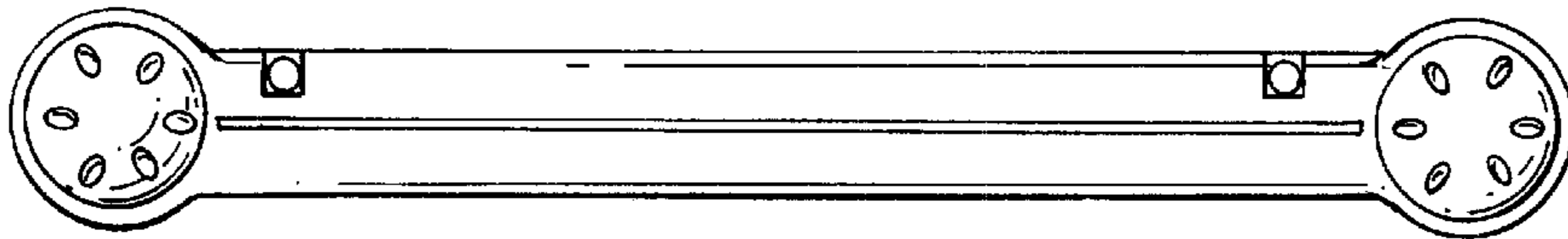


FIG. 3

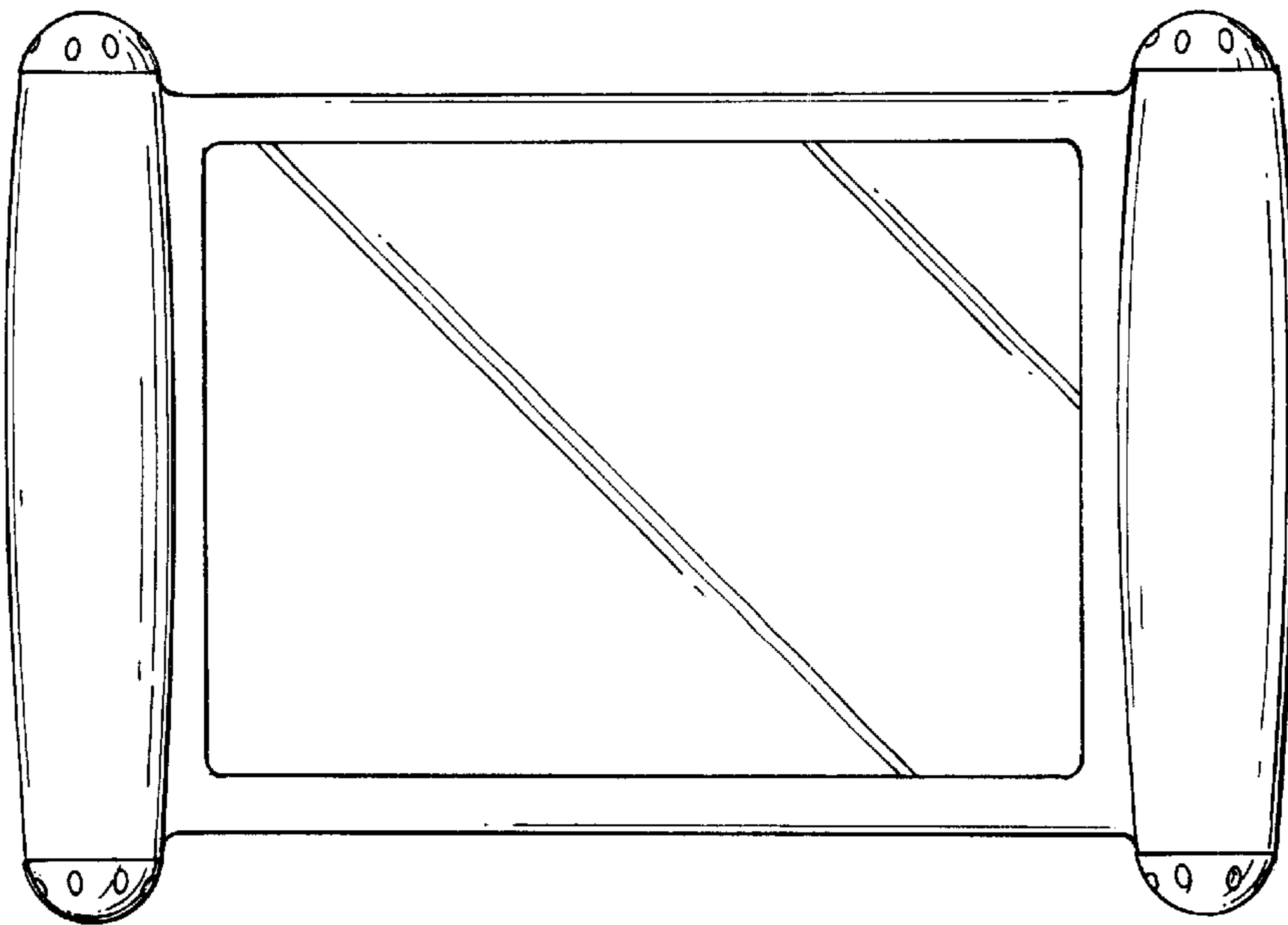


FIG. 4

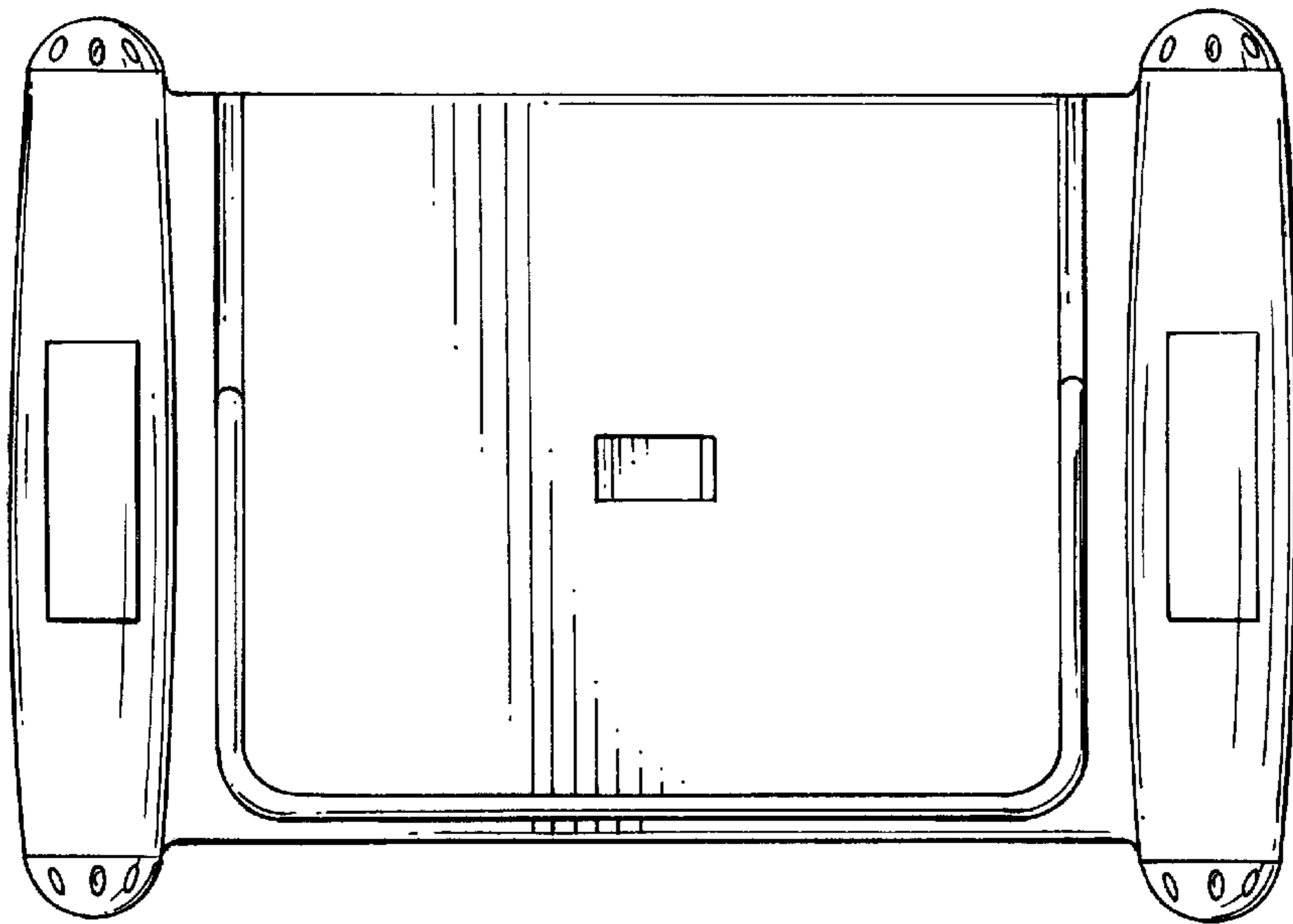


FIG. 5

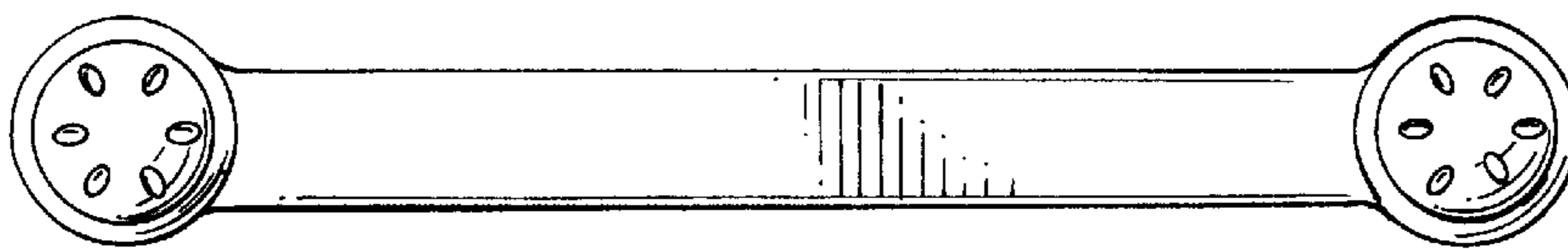


FIG. 6

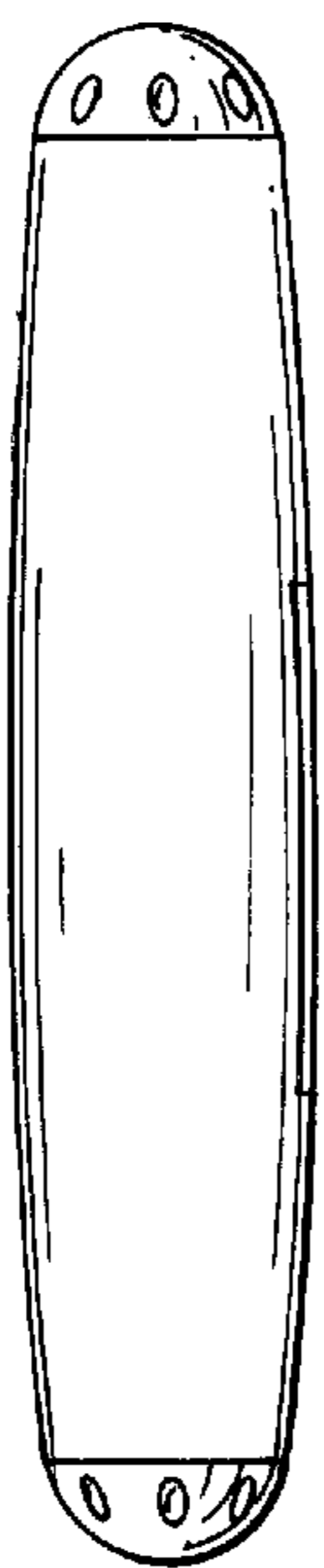


FIG. 7