



US00D483809S

(12) **United States Design Patent**
Lim

(10) **Patent No.:** **US D483,809 S**

(45) **Date of Patent:** **** Dec. 16, 2003**

(54) **SYSTEM SELECTOR FOR ELECTRONIC GAME CONSOLE**

(75) **Inventor:** **Tsz-Kin Lim**, Kowloon (CN)

(73) **Assignee:** **Storm Electronics Company Limited**,
Kowlood (CN)

(**) **Term:** **14 Years**

(21) **Appl. No.:** **29/168,807**

(22) **Filed:** **Oct. 8, 2002**

(30) **Foreign Application Priority Data**

May 13, 2002 (HK) 0210662

(51) **LOC (7) Cl.** **21-01**

(52) **U.S. Cl.** **D21/324; D14/496**

(58) **Field of Search** D14/496, 125;
D21/324-333; 273/148 B; 463/1, 30-35,
46, 47, 40, 48; 345/156, 157, 905, 903

(56) **References Cited**

U.S. PATENT DOCUMENTS

4,422,105 A * 12/1983 Rodesch et al. 345/723
5,766,077 A * 6/1998 Hongo 463/30

D412,940 S * 8/1999 Kato et al. D21/324
D437,860 S * 2/2001 Suzuki et al. D14/496
6,254,477 B1 * 7/2001 Sasaki et al. 463/47
D448,810 S * 10/2001 Goto D21/324
D453,800 S * 2/2002 Ashida D21/324
D472,245 S * 3/2003 Andre et al. D14/496

* cited by examiner

Primary Examiner—Phabhakar Deshmukh

(74) *Attorney, Agent, or Firm*—Alix, Yale & Ristas, LLP

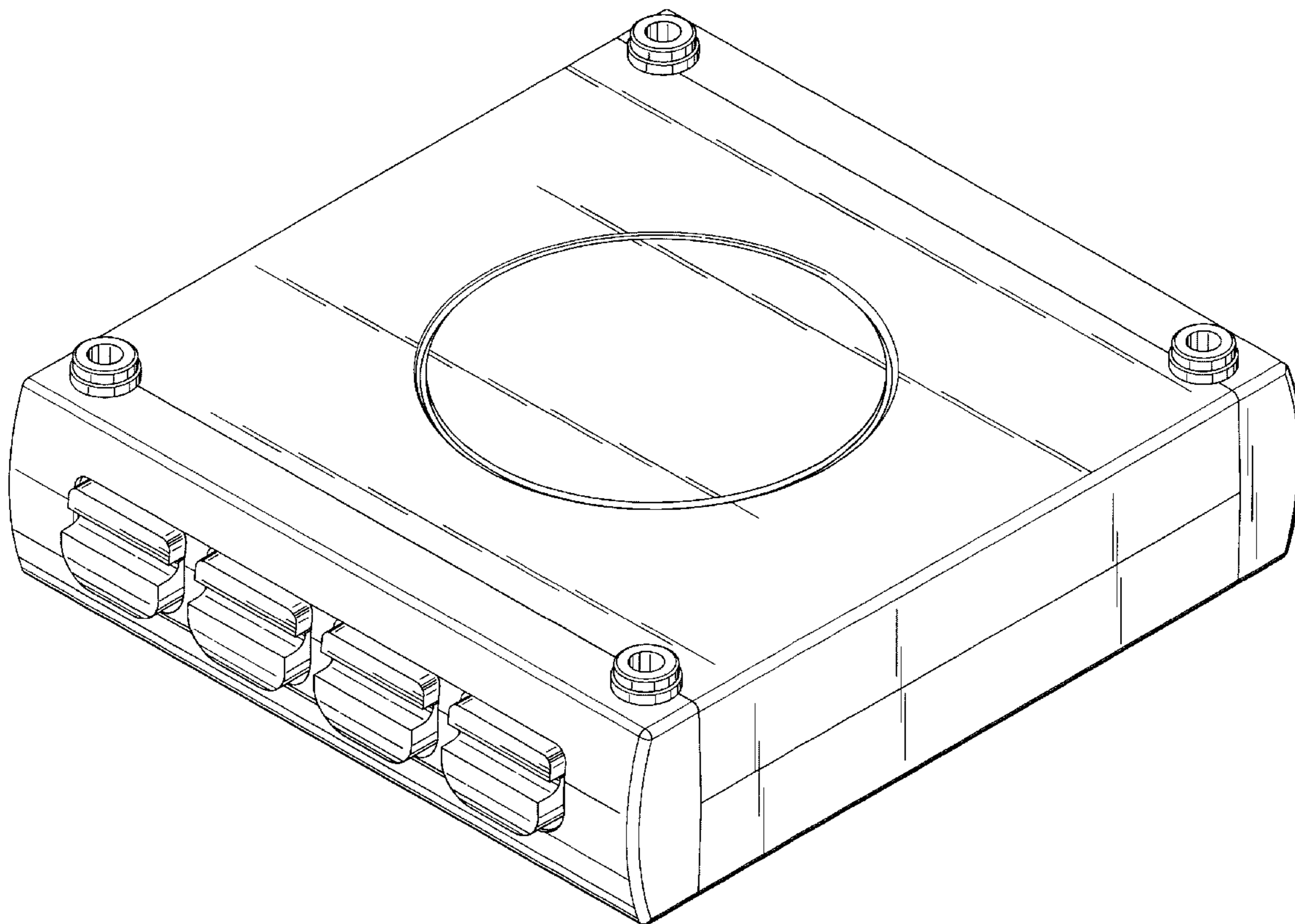
(57) **CLAIM**

The ornamental design for a system selector for electronic game console, as shown and described.

DESCRIPTION

FIG. 1 is a front perspective view of a system selector for electronic game console showing my new design;
FIG. 2 is a front elevational view thereof;
FIG. 3 is a rear elevational view thereof;
FIG. 4 is a left side elevational view thereof;
FIG. 5 is a right side elevational view thereof;
FIG. 6 is a top plan view thereof; and,
FIG. 7 is a bottom plan view thereof.

1 Claim, 5 Drawing Sheets



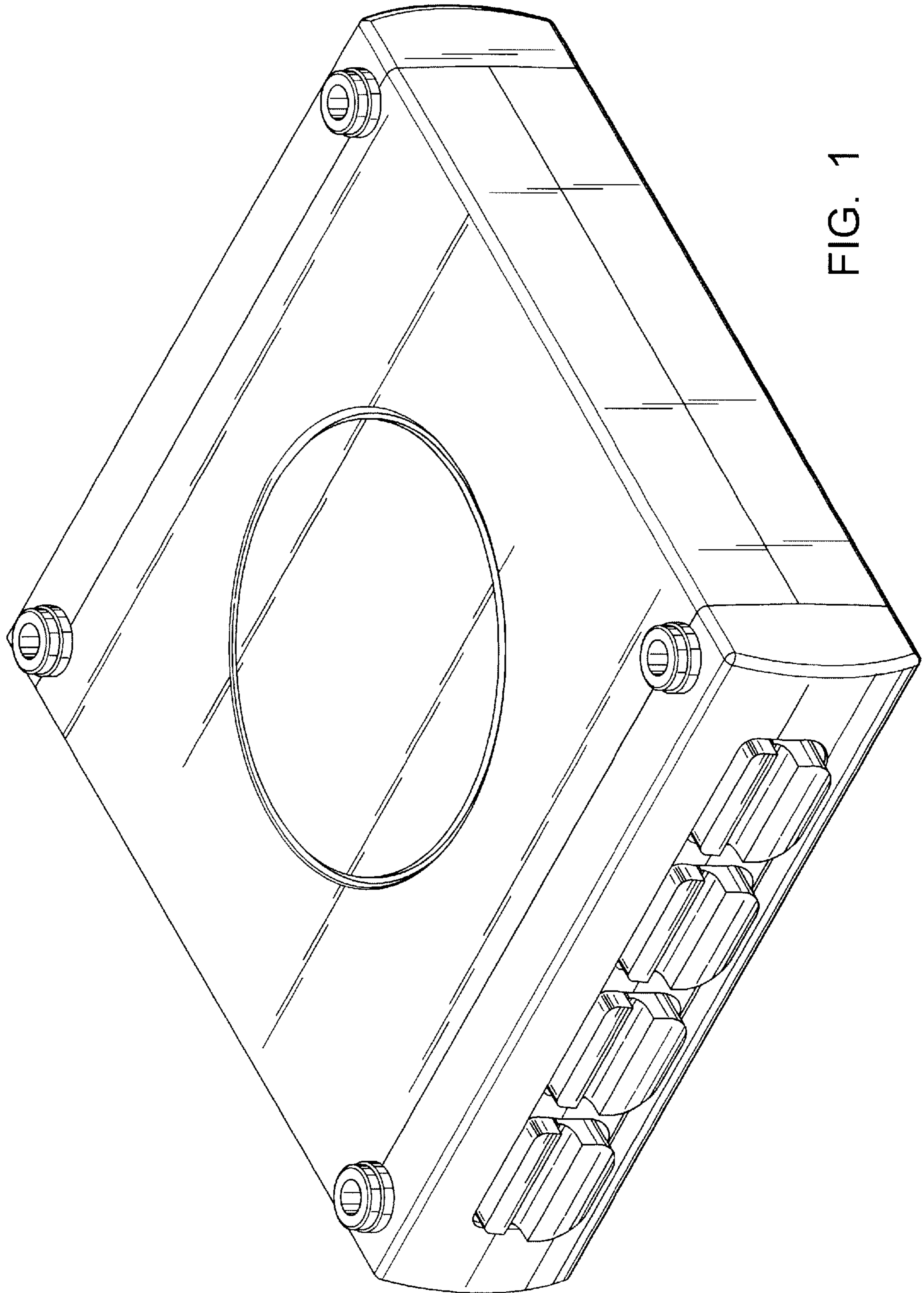


FIG. 1

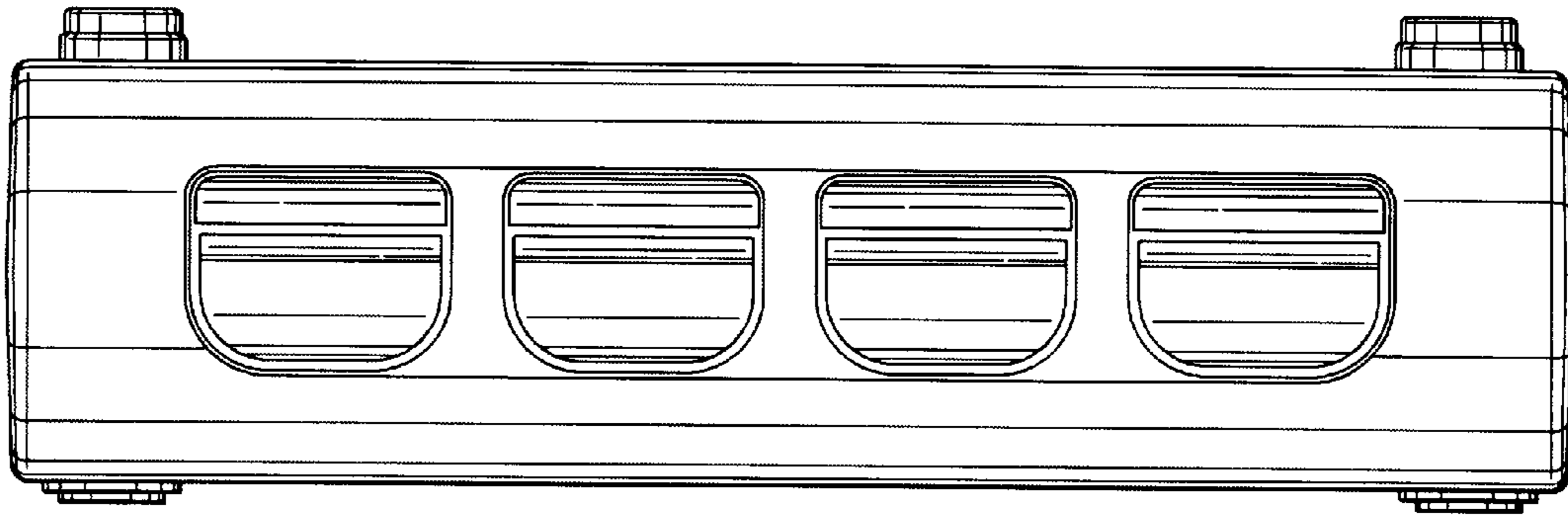


FIG. 2

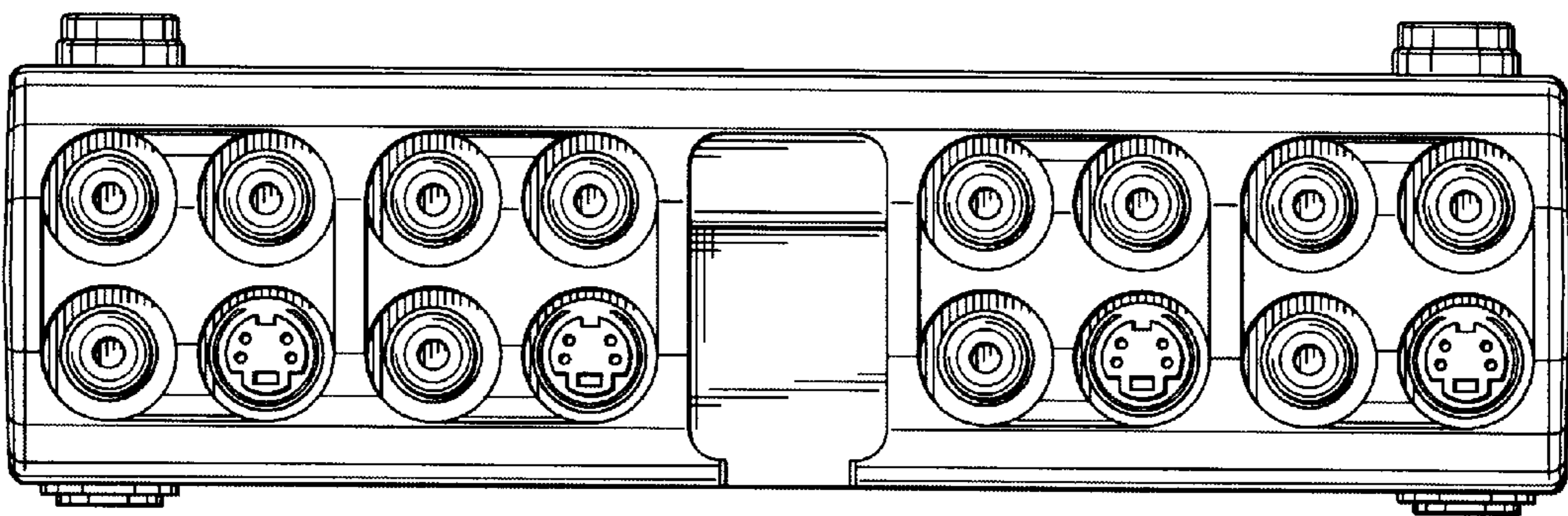


FIG. 3

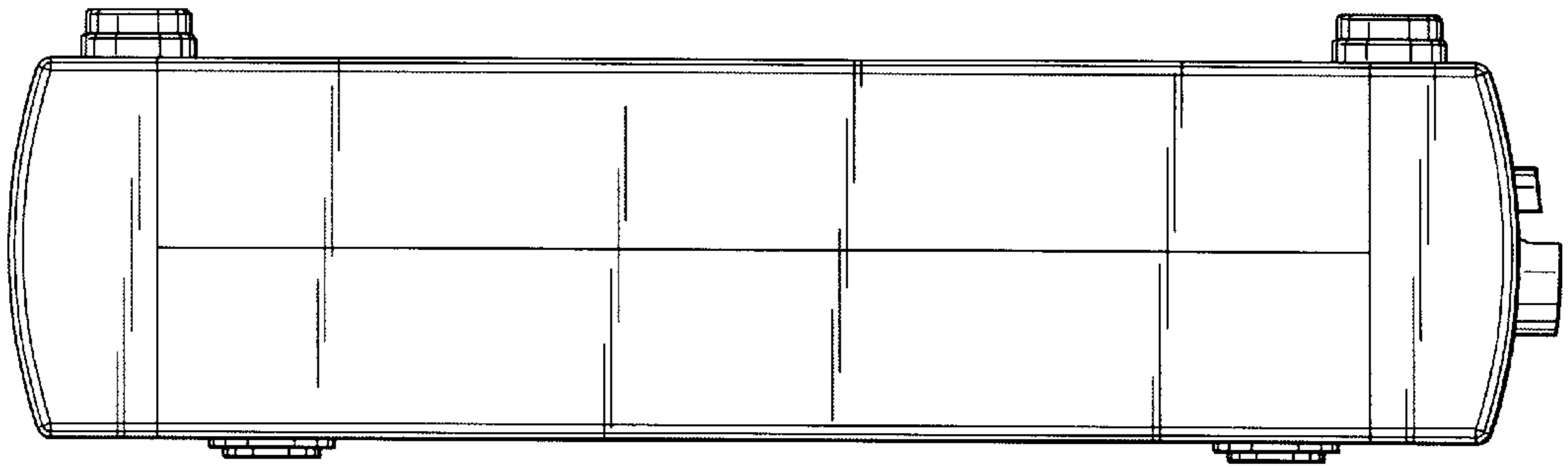


FIG. 4

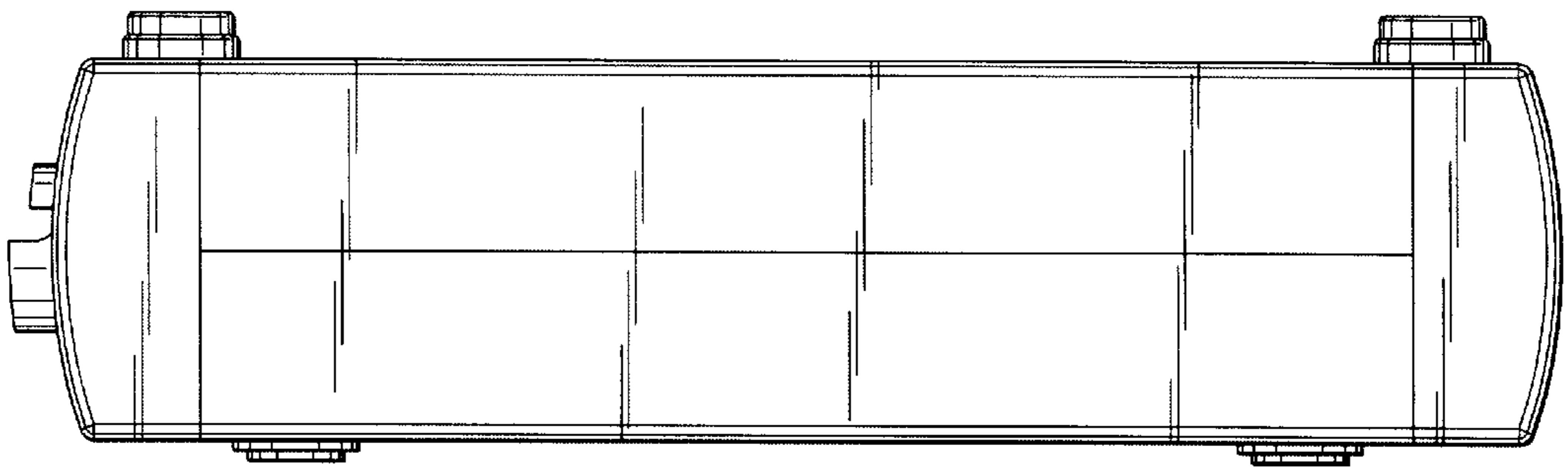


FIG. 5

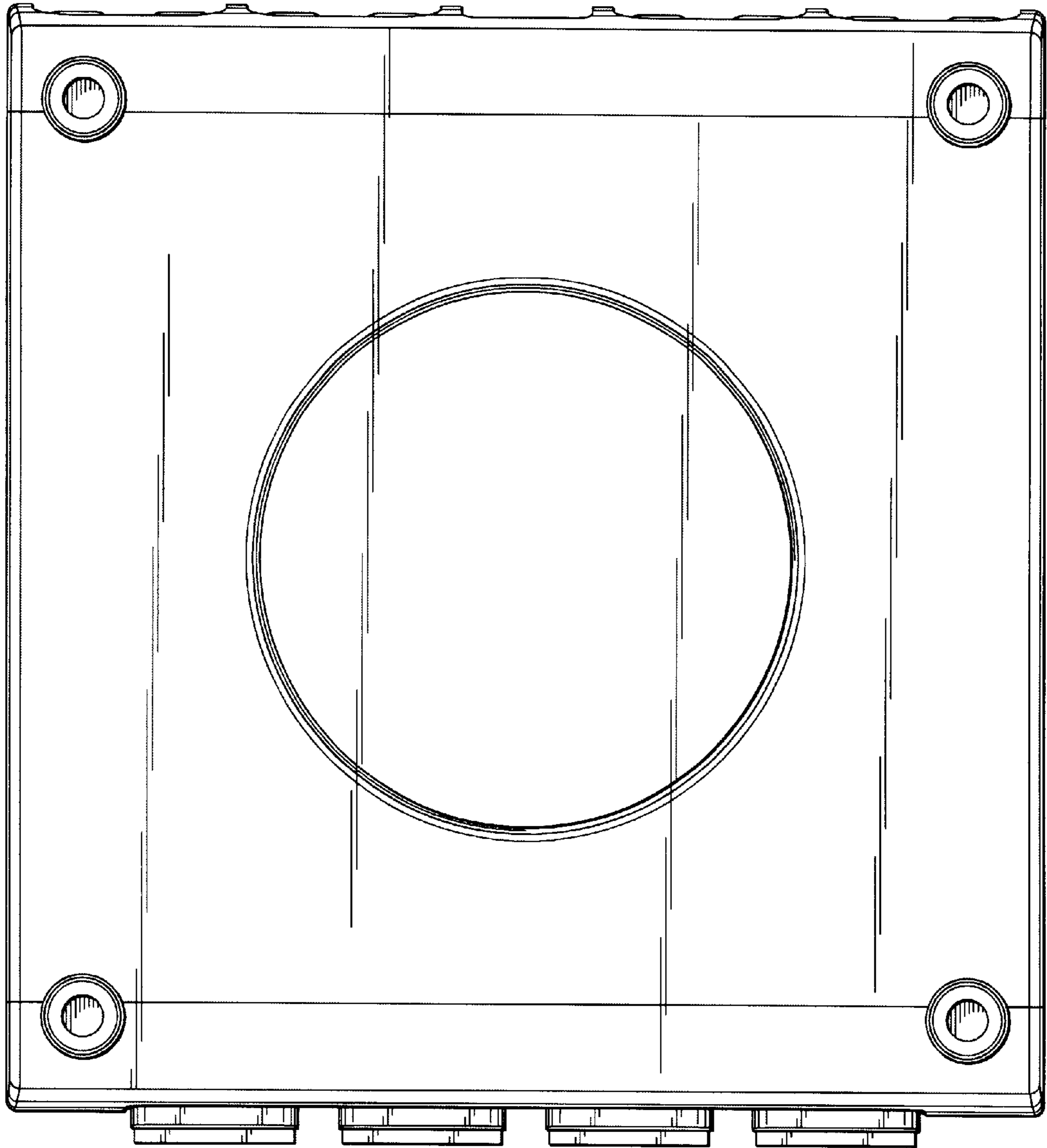


FIG. 6

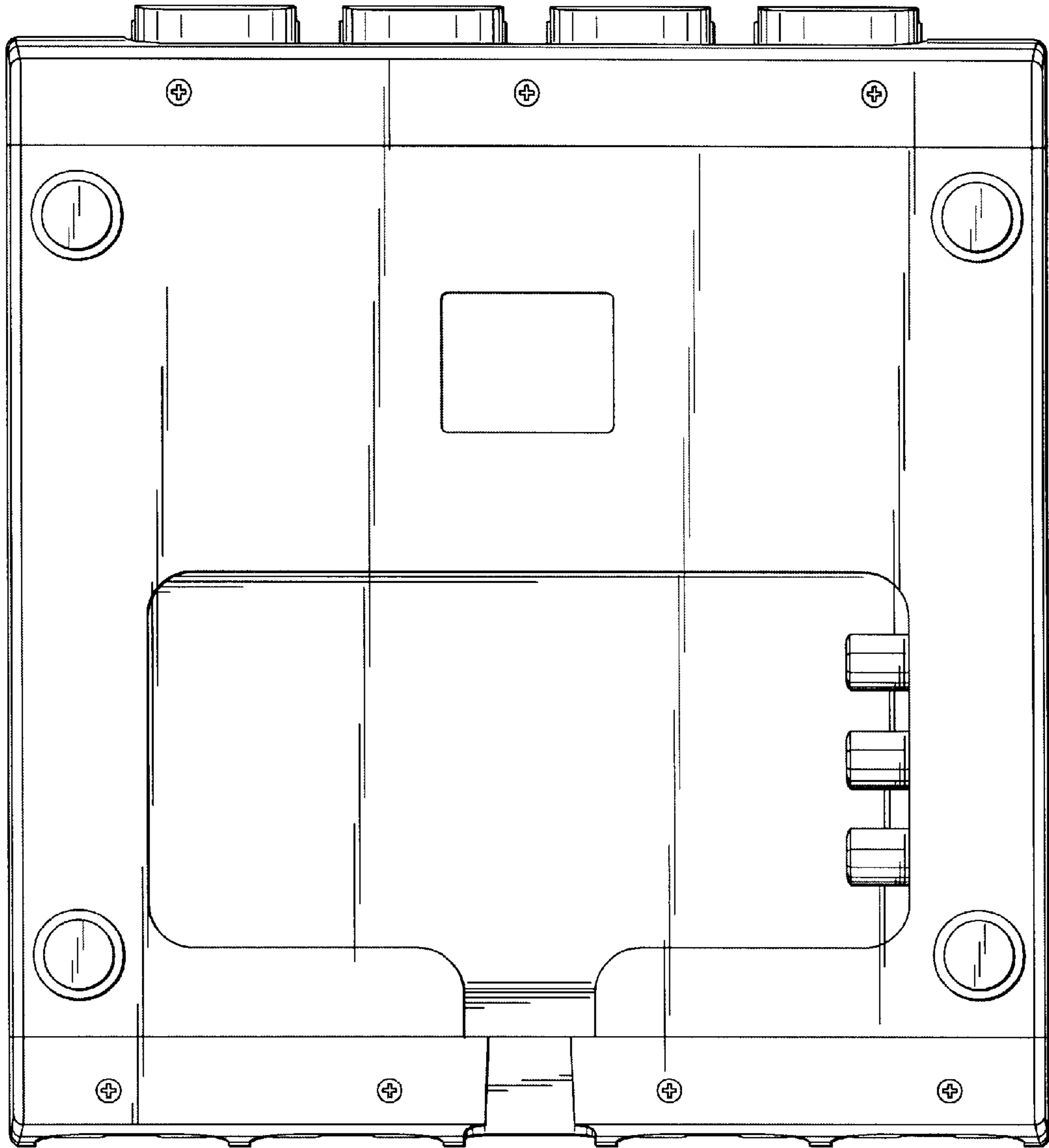


FIG. 7