



US00D483806S

(12) **United States Design Patent**
Fermgård

(10) **Patent No.:** **US D483,806 S**

(45) **Date of Patent:** **** Dec. 16, 2003**

(54) **MOUNTING PART FOR AN ELECTRONIC PEN**

(75) **Inventor:** **Björn Fermgård, Lund (SE)**

(73) **Assignee:** **Anoto AB, Lund (SE)**

(**) **Term:** **14 Years**

(21) **Appl. No.:** **29/152,485**

(22) **Filed:** **Dec. 26, 2001**

(30) **Foreign Application Priority Data**

Jun. 26, 2001 (SE) 01-1081

(51) **LOC (7) Cl.** **19-06**

(52) **U.S. Cl.** **D19/84; D14/411; D14/432**

(58) **Field of Search** D14/411, 432,
D14/439, 453; D19/35, 36, 77, 78, 81-85,
95, 99, 100; 211/69.1-69.9; 178/19.01-19.05,
20.01; 345/157-159, 179, 173; 206/214,
224, 371; 382/188

(56) **References Cited**

U.S. PATENT DOCUMENTS

417,082 A * 12/1889 Pichereau 211/69.2
2,379,588 A * 7/1945 Morris 211/69.2 X
3,462,548 A * 8/1969 Rinder 382/188
3,834,409 A * 9/1974 Kuparinen 206/371 X
4,090,613 A * 5/1978 McPherson 211/69.5

5,132,671 A * 7/1992 Louis et al. 345/179
5,178,285 A * 1/1993 Soucy 211/69.5
5,696,538 A * 12/1997 Kishi 345/179
D400,589 S * 11/1998 Ham D19/84
6,479,768 B1 * 11/2002 How 178/19.03
6,515,654 B1 * 2/2003 Liao 345/173

* cited by examiner

Primary Examiner—Martie K. Holtje

(74) *Attorney, Agent, or Firm*—Birch, Stewart, Kolasch & Birch, LLP

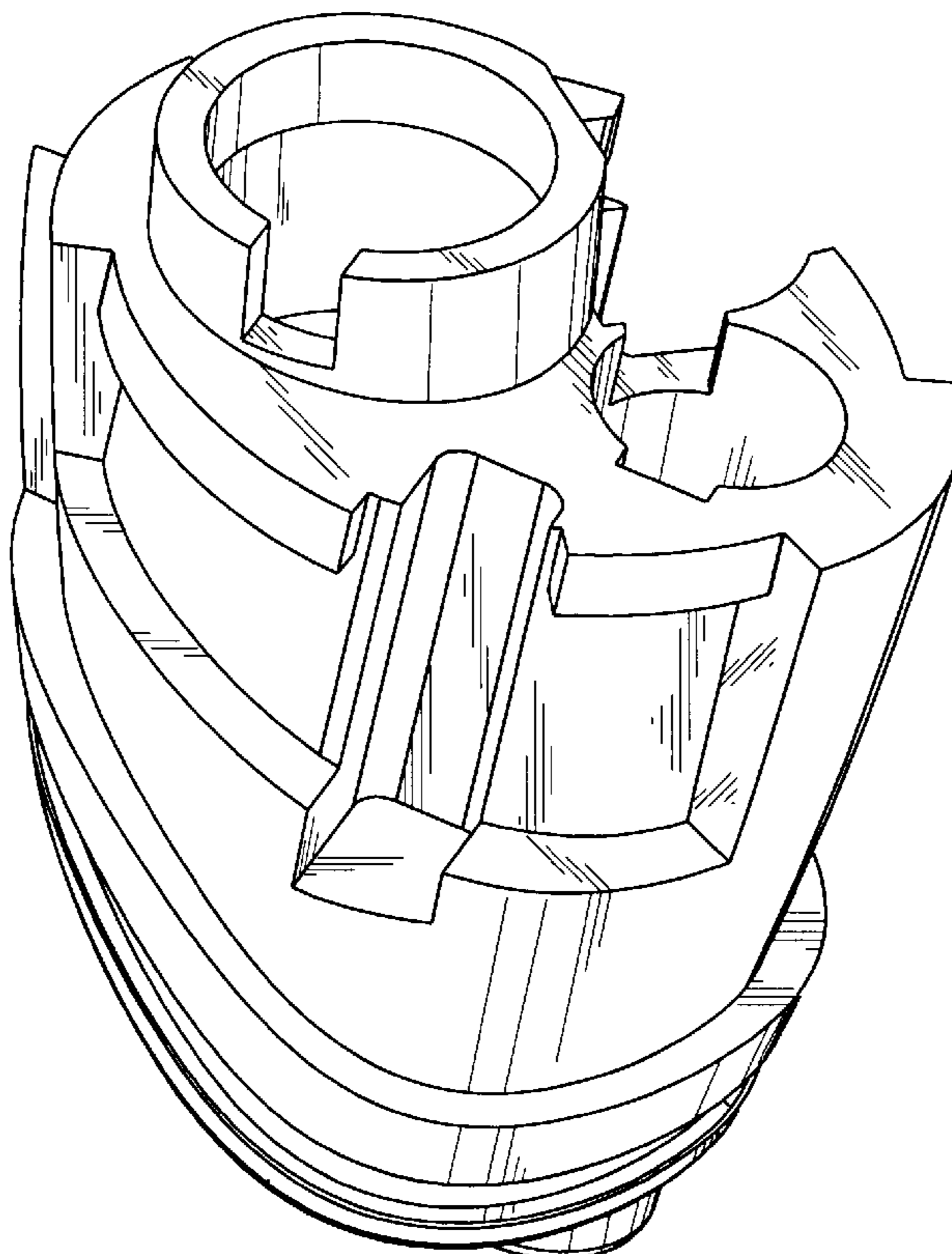
(57) **CLAIM**

The ornamental design for a mounting part for an electronic pen, as shown and described.

DESCRIPTION

FIG. 1 is a perspective view of a mounting part showing my new design, as viewed from a top side;
FIG. 2 is a perspective view thereof, as viewed from a bottom side;
FIG. 3 is a perspective view thereof, as viewed from a rear side;
FIG. 4 is a bottom plan view thereof;
FIG. 5 is a rear view thereof;
FIG. 6 is a top plan view thereof;
FIG. 7 is a front view thereof;
FIG. 8 is a side view thereof, as viewed from one side; and,
FIG. 9 is a side view thereof, as viewed from the other side.

1 Claim, 5 Drawing Sheets



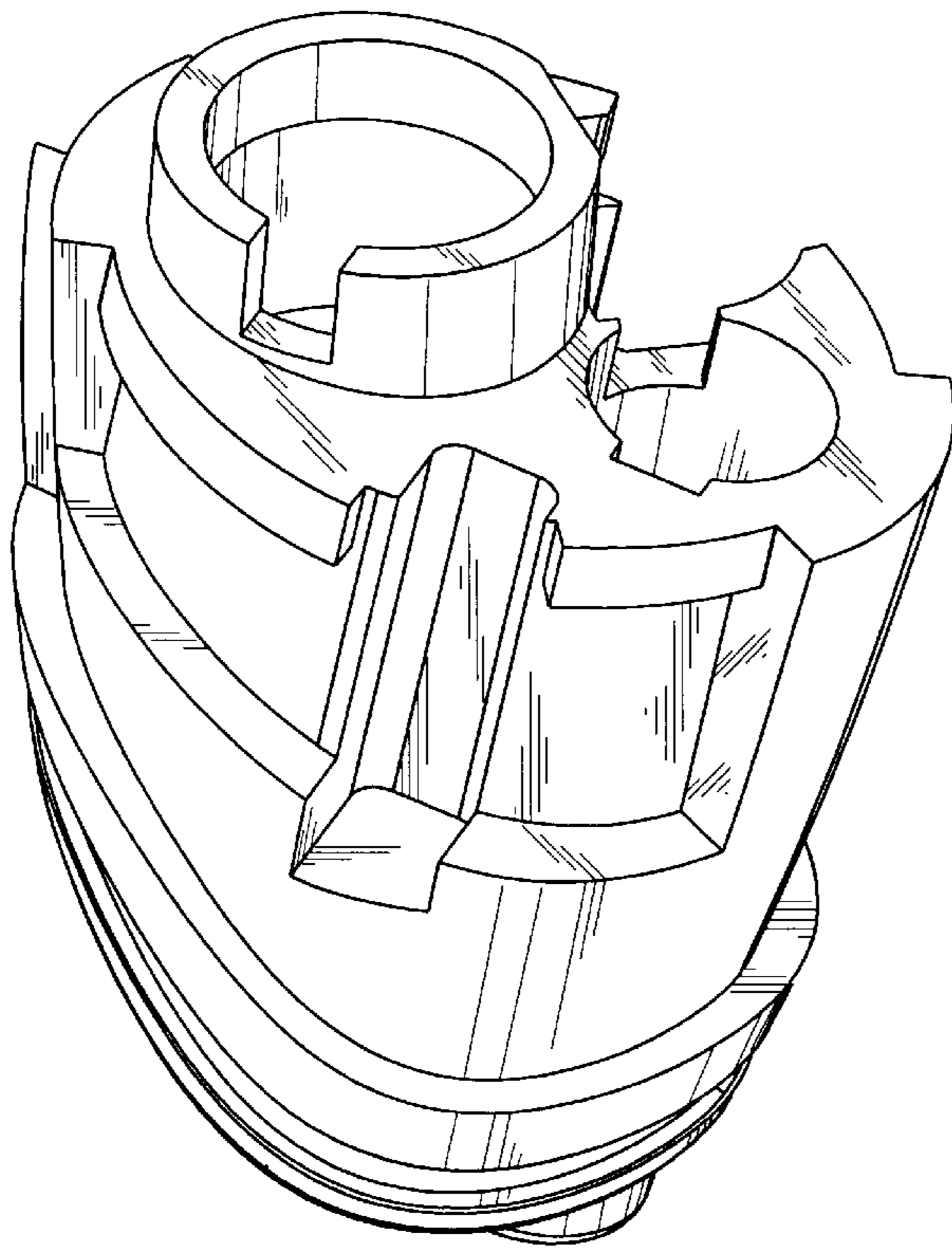


Figure 1

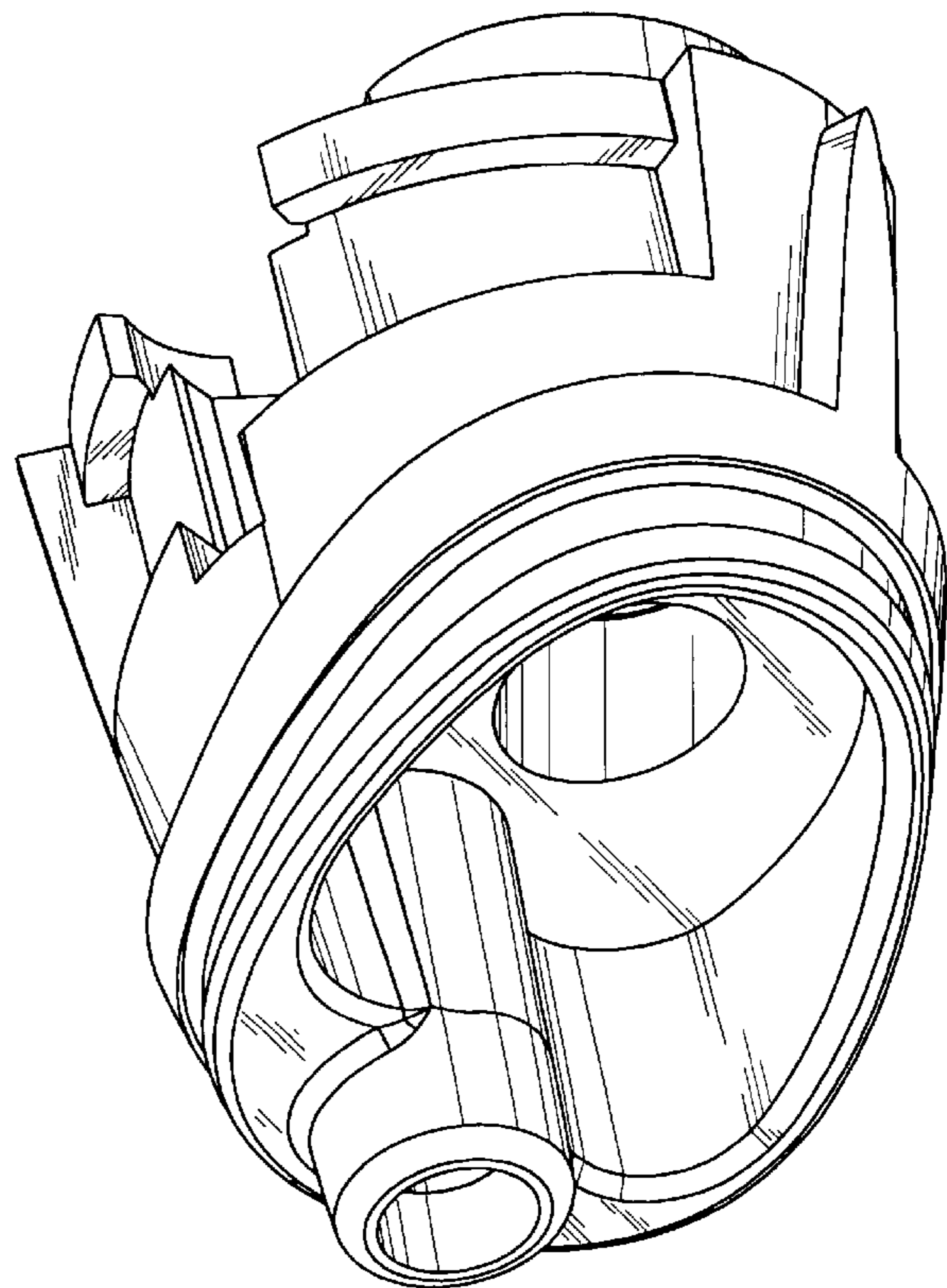


Figure 2

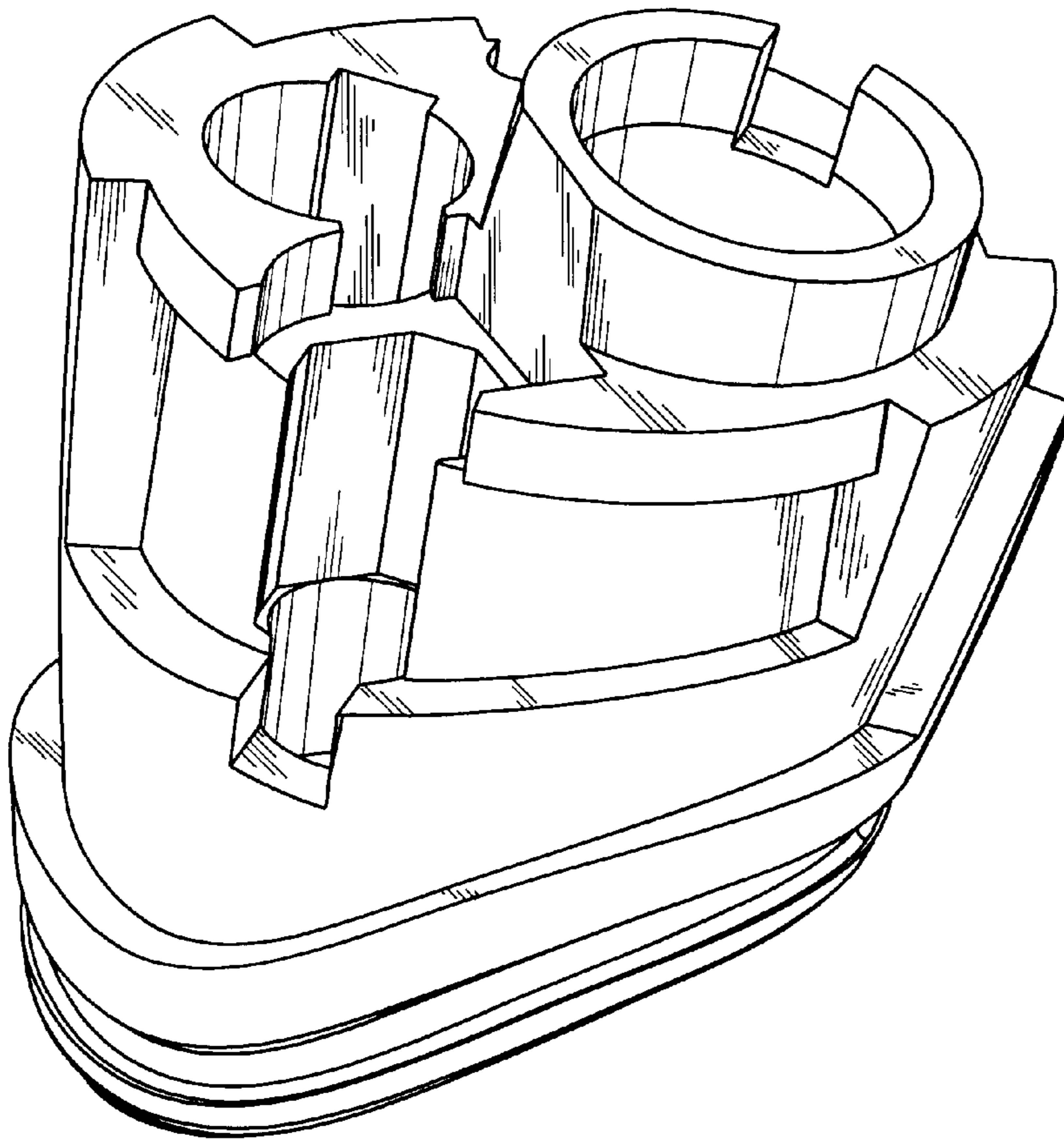


Figure 3

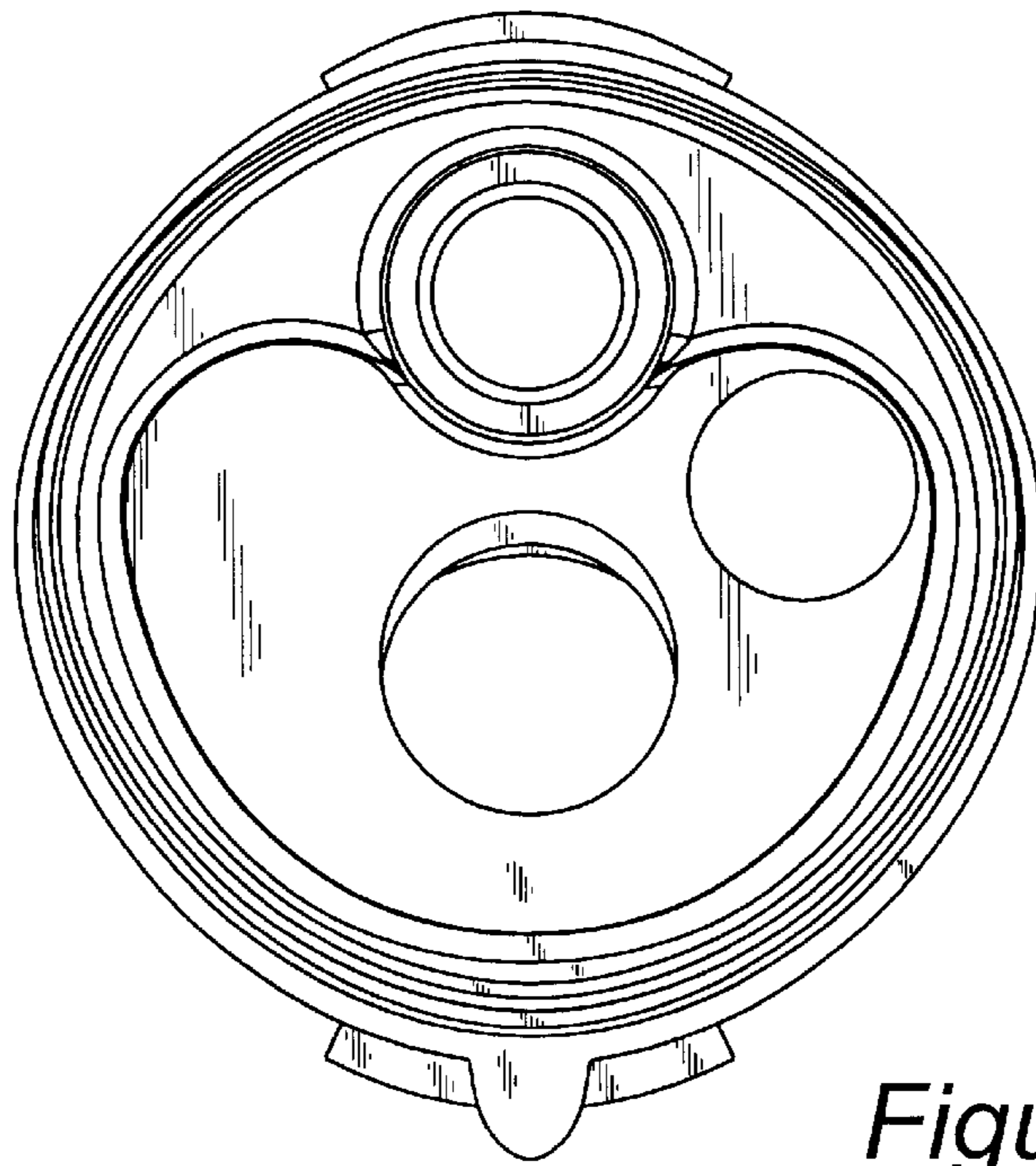


Figure 4

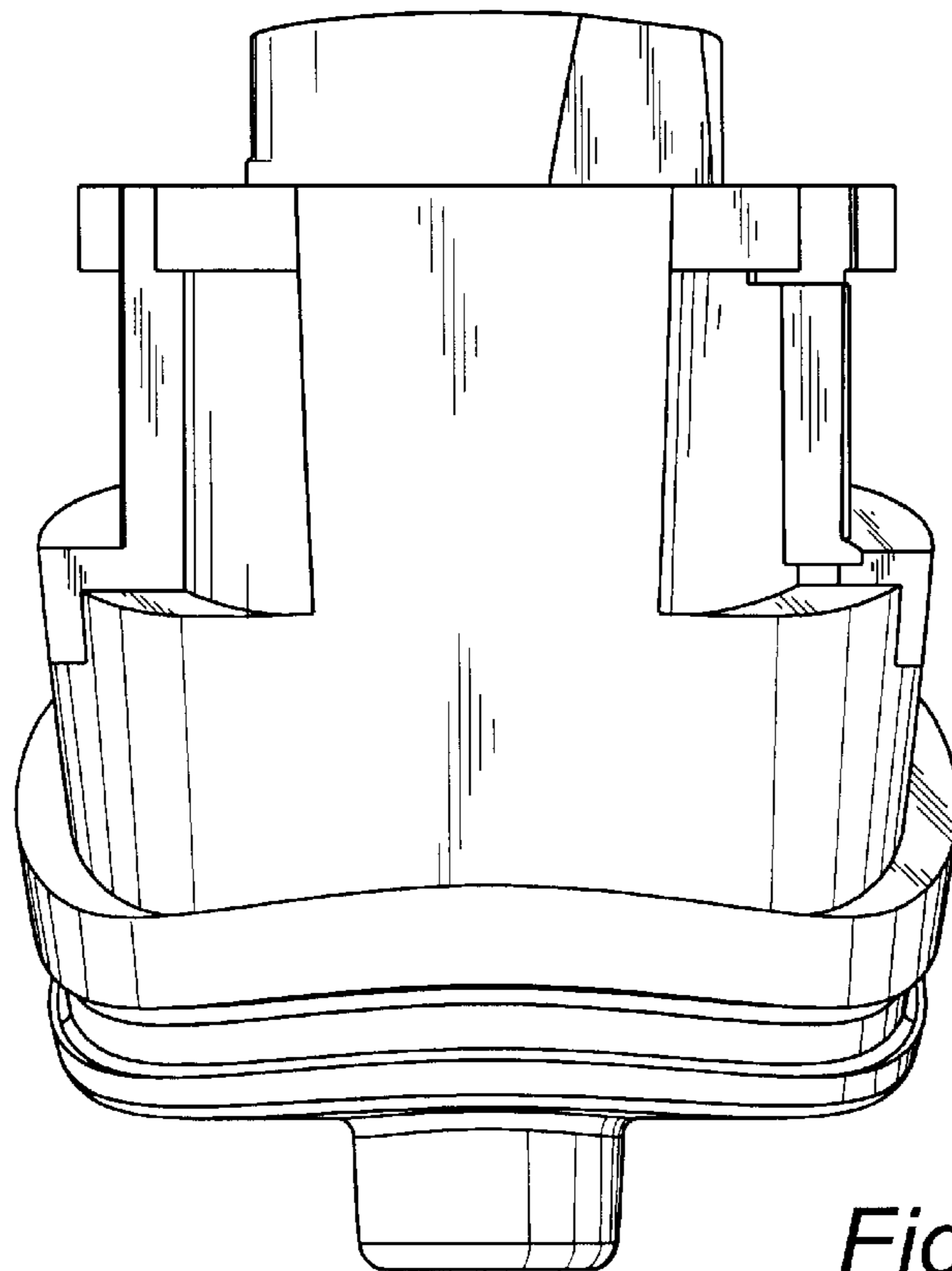


Figure 5

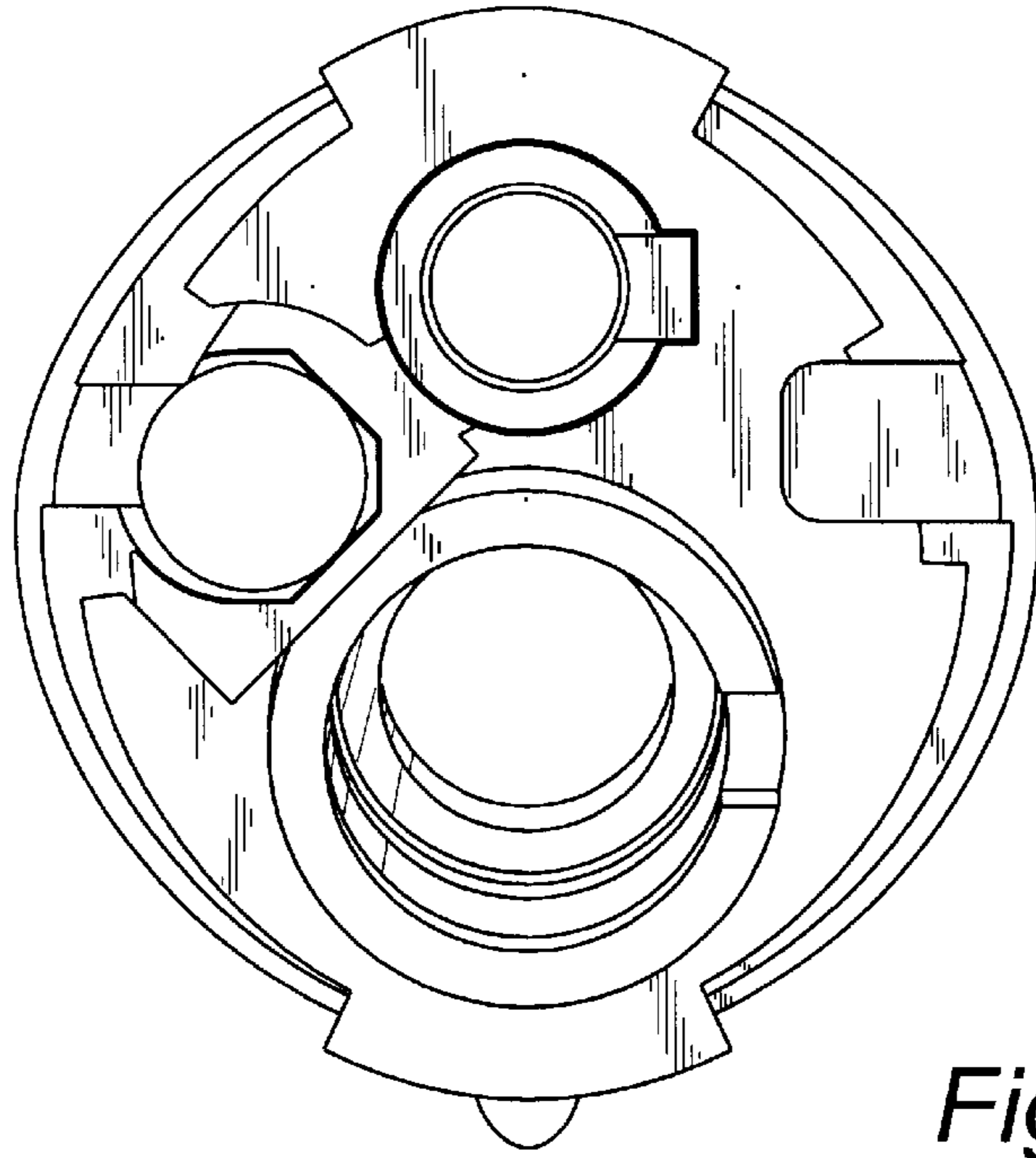


Figure 6

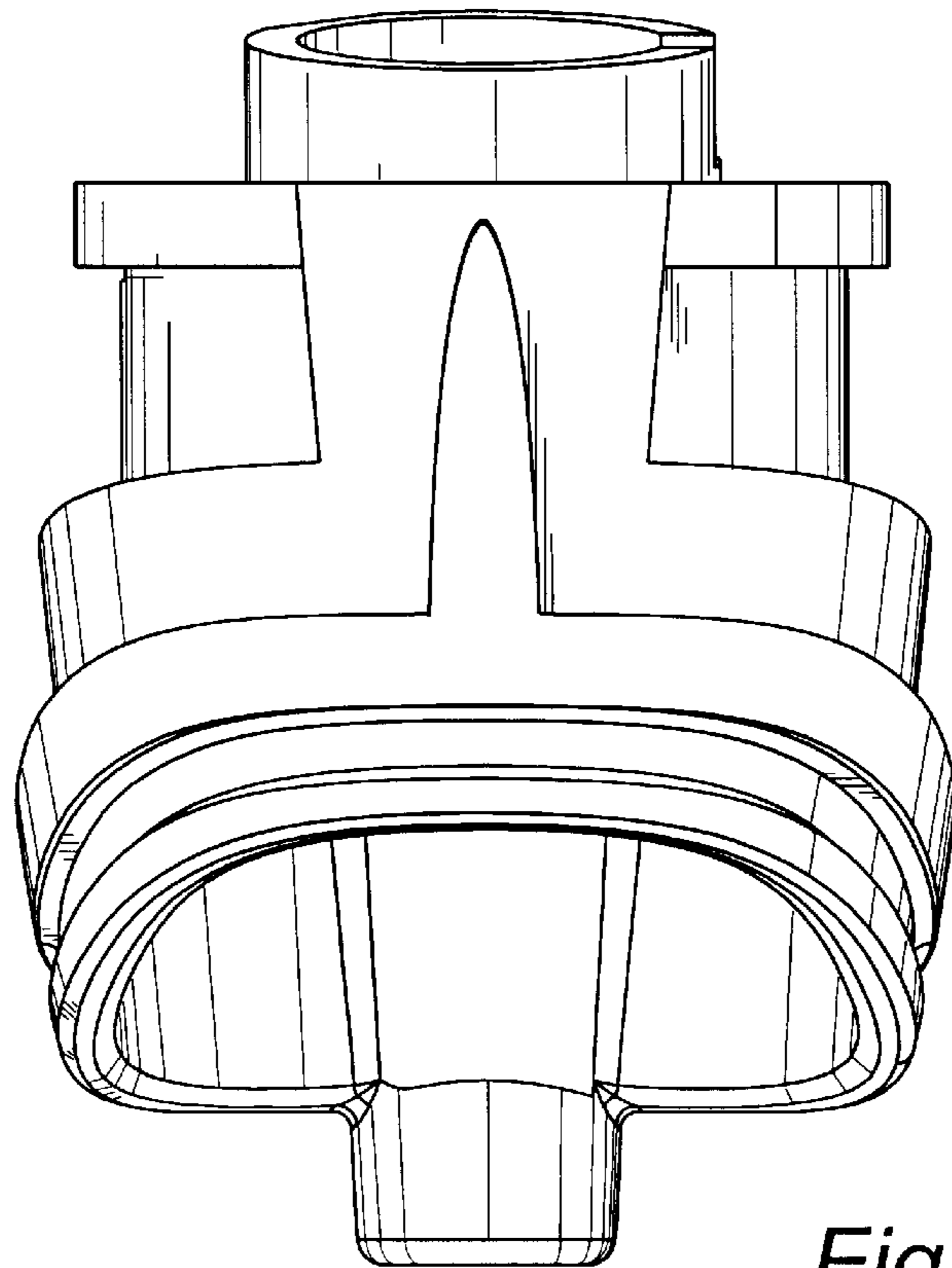


Figure 7

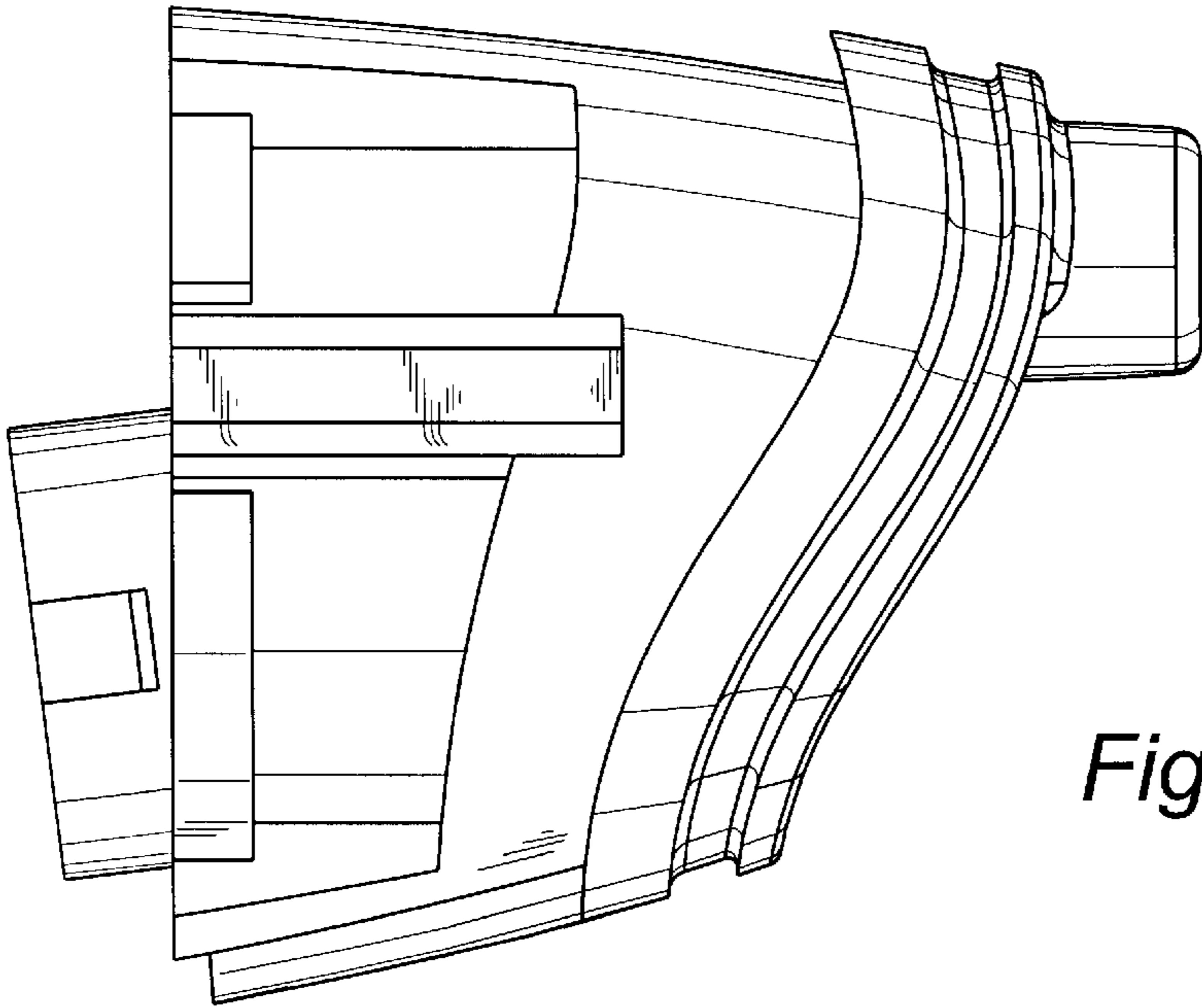


Figure 8

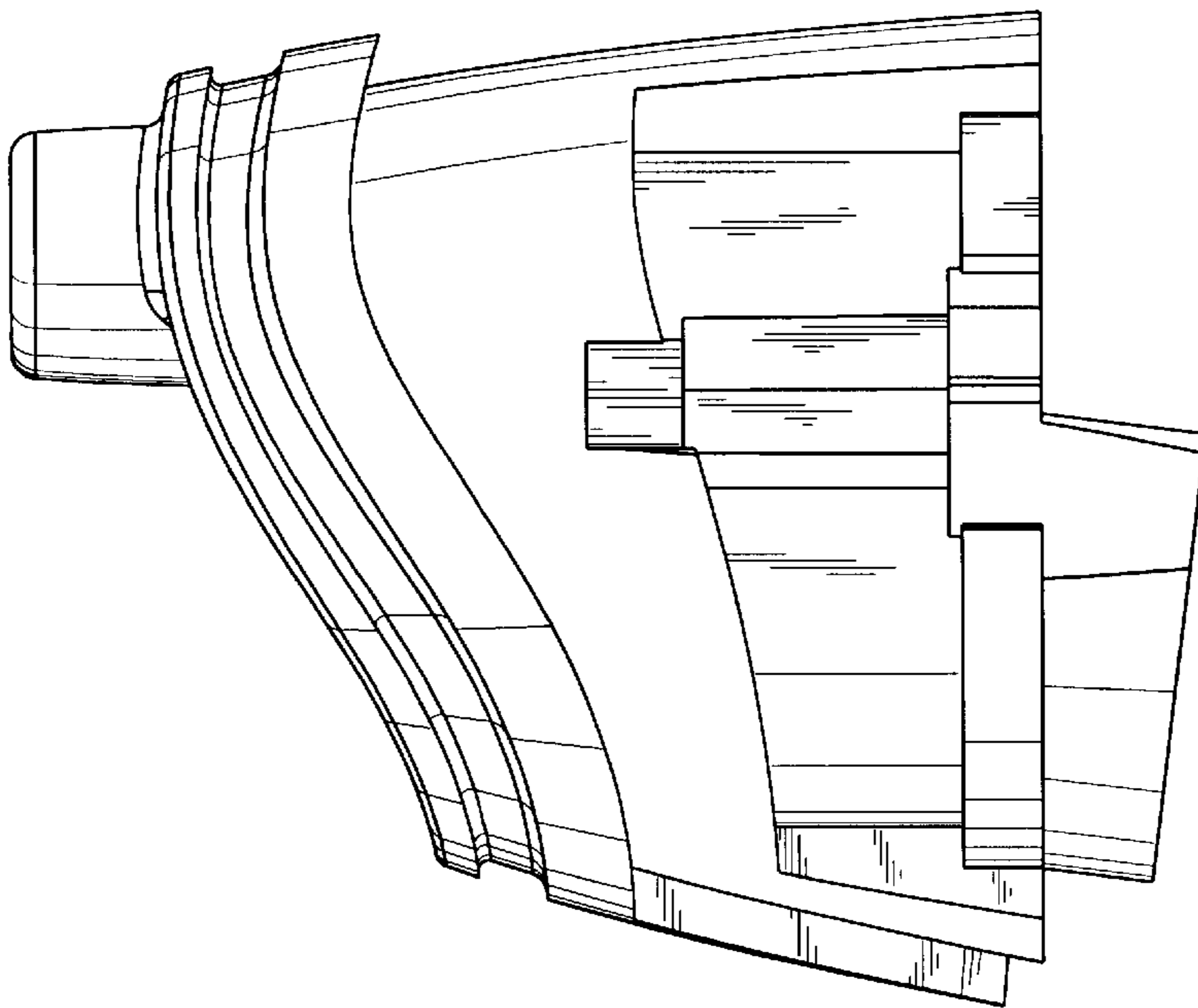


Figure 9