



US00D483802S

(12) **United States Design Patent**
Hattori

(10) **Patent No.:** **US D483,802 S**

(45) **Date of Patent:** **** Dec. 16, 2003**

(54) **PRINTER WITH COPYING, SCANNING AND FACSIMILE FUNCTIONS**

(75) Inventor: **Mitsuharu Hattori**, Nagoya (JP)

(73) Assignee: **Brother Industries, Limited**, Nagoya (JP)

(**) Term: **14 Years**

(21) Appl. No.: **29/163,447**

(22) Filed: **Jul. 8, 2002**

(30) **Foreign Application Priority Data**

Jan. 7, 2002 (JP) 2002-000098

(51) **LOC (7) Cl.** **14-02**

(52) **U.S. Cl.** **D18/50**

(58) **Field of Search** D14/420-430,
D14/462-470; D18/19, 36-39, 50, 53, 54-55;
400/613, 613.1-613.4, 691-694, 690.1-690.4,
625

(56) **References Cited**

U.S. PATENT DOCUMENTS

4,689,693 A	*	8/1987	Watanabe	D14/425
D332,258 S	*	1/1993	Urushihara et al.	D14/464
D339,156 S	*	9/1993	Sato et al.	D18/50
5,297,018 A	*	3/1994	Kashimura	400/693
D353,154 S	*	12/1994	Suzuki	D18/50
5,454,555 A	*	10/1995	Kiyohara et al.	400/625
D374,888 S	*	10/1996	Udagawa	D18/50
D398,632 S	*	9/1998	Dodge et al.	D18/36

5,816,723 A	*	10/1998	Takahashi et al.	400/625
D430,895 S	*	9/2000	Inoue	D18/54
D448,403 S	*	9/2001	Omuro et al.	D18/50
6,307,736 B1	*	10/2001	Song et al.	400/693
6,336,758 B1	*	1/2002	Ishida et al.	400/625
D458,262 S	*	6/2002	Huang et al.	D14/424
6,462,937 B1	*	10/2002	Liao et al.	400/693

* cited by examiner

Primary Examiner—Cathy Anne MacCormac

(74) *Attorney, Agent, or Firm*—Oliff & Berridge, PLC

(57) **CLAIM**

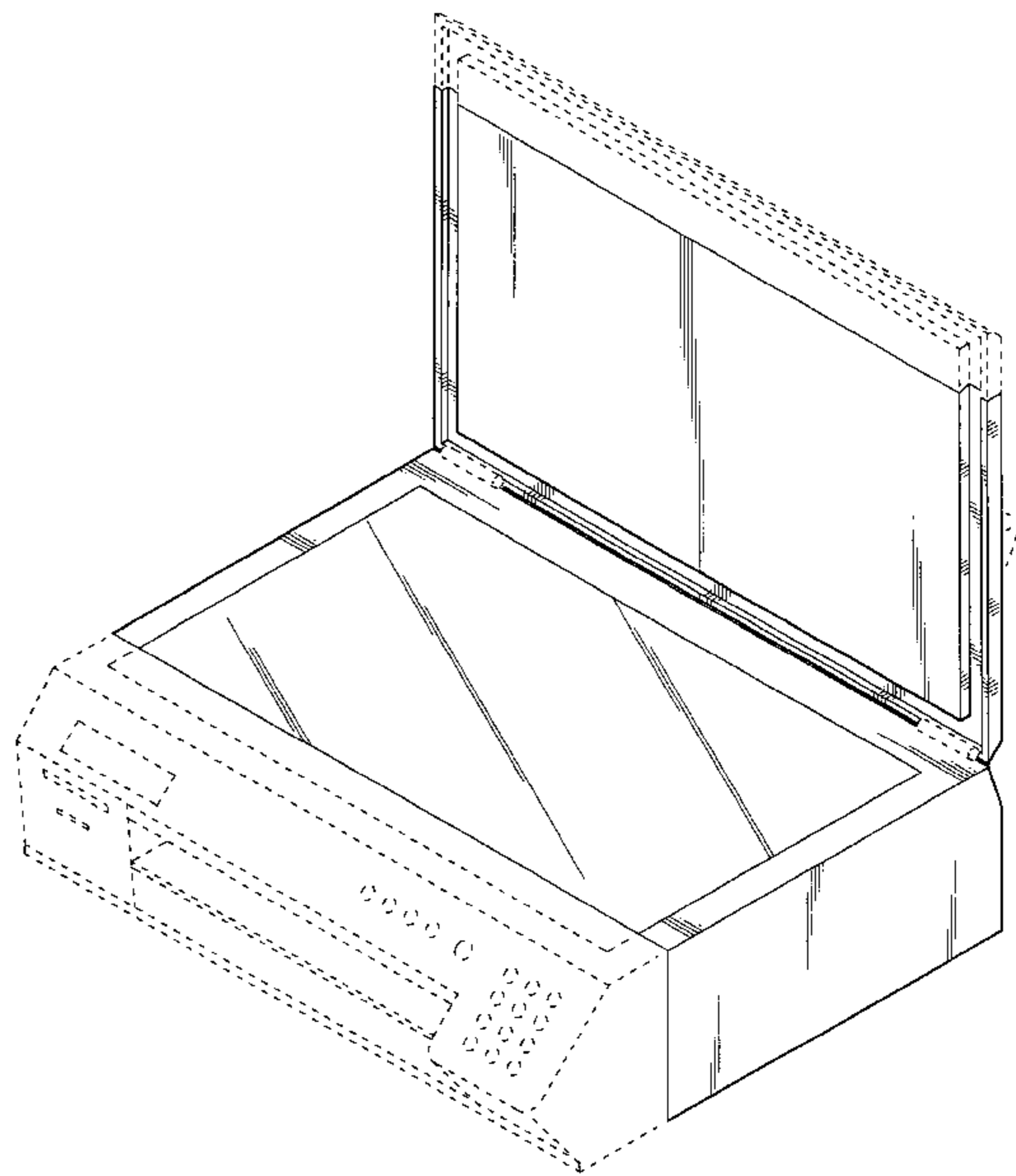
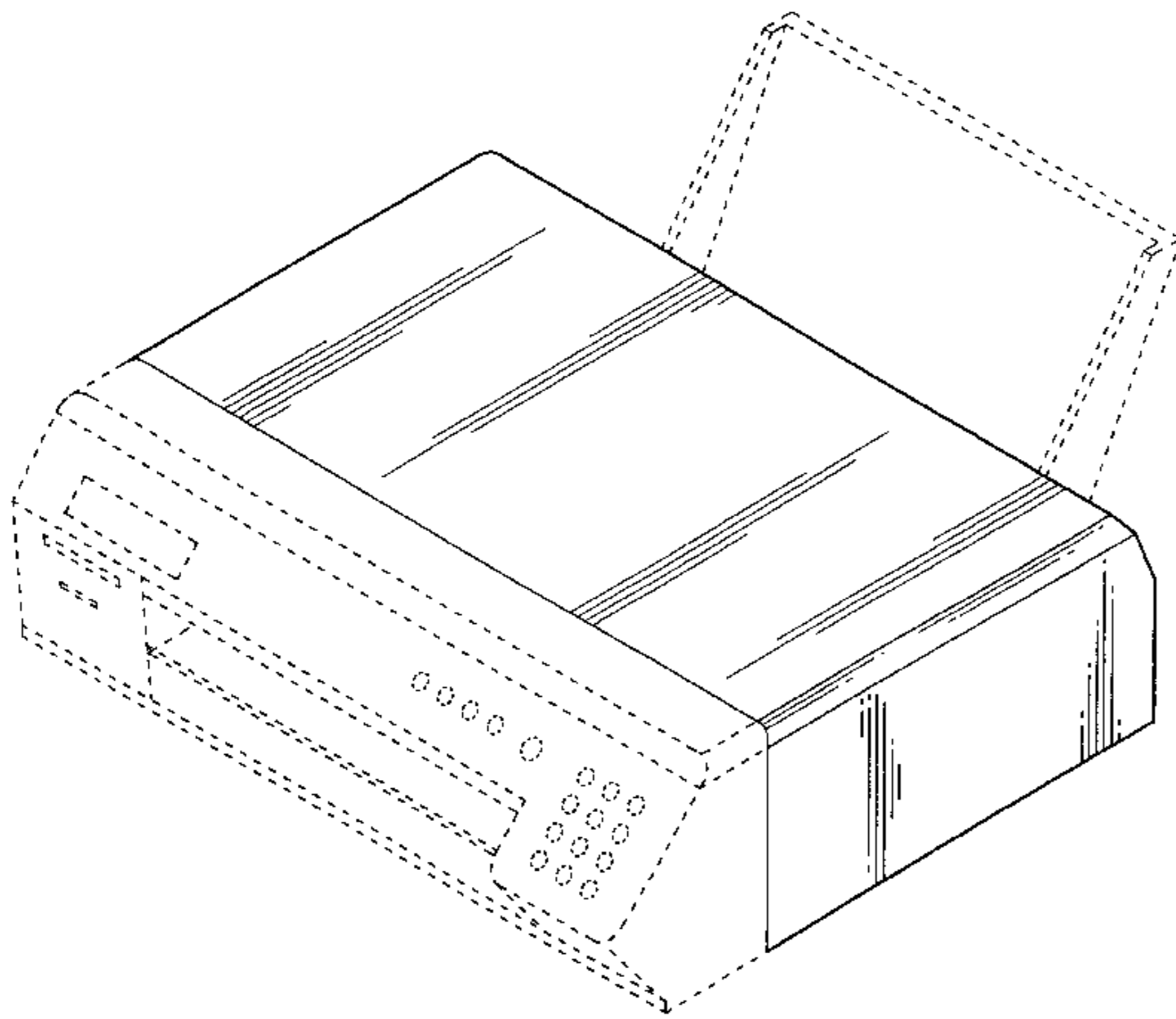
The ornamental design for a printer with copying, scanning and facsimile functions, as shown and described.

DESCRIPTION

FIG. 1 is a perspective view of a printer with copying, scanning and facsimile functions with the lid of the printer in a closed position;
 FIG. 2 is a rear perspective view thereof;
 FIG. 3 is a rear view thereof;
 FIG. 4 is a rear view thereof with a paper feed tray removed;
 FIG. 5 is a left side view thereof;
 FIG. 6 is a right side view thereof;
 FIG. 7 is a top view thereof;
 FIG. 8 is a bottom view thereof; and,
 FIG. 9 is another perspective view with the lid in an open position.

The front view contains no ornamentality and is omitted. The broken lines are for purposes of illustration only and form no part of the claimed design.

1 Claim, 7 Drawing Sheets



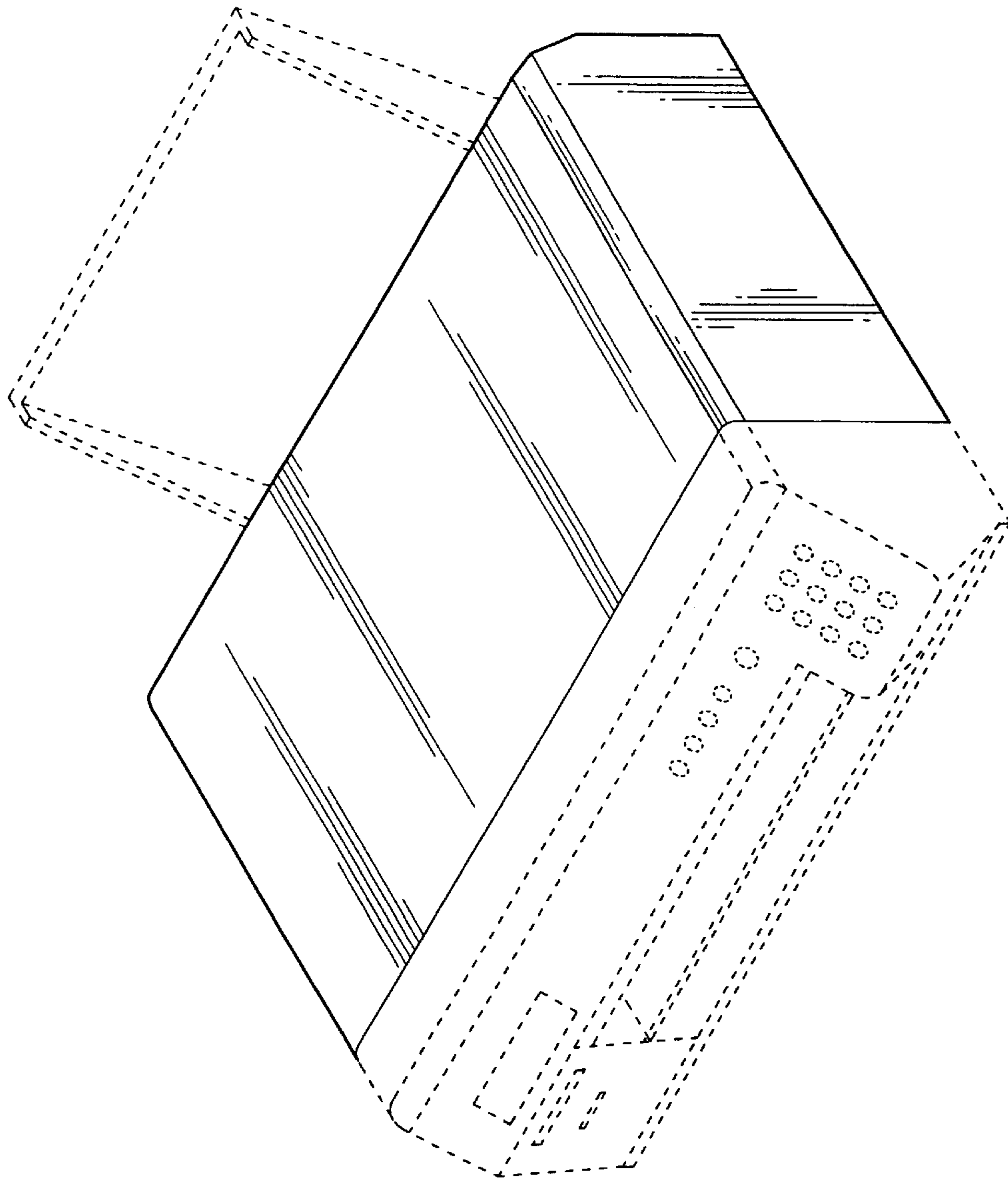


Fig. 1

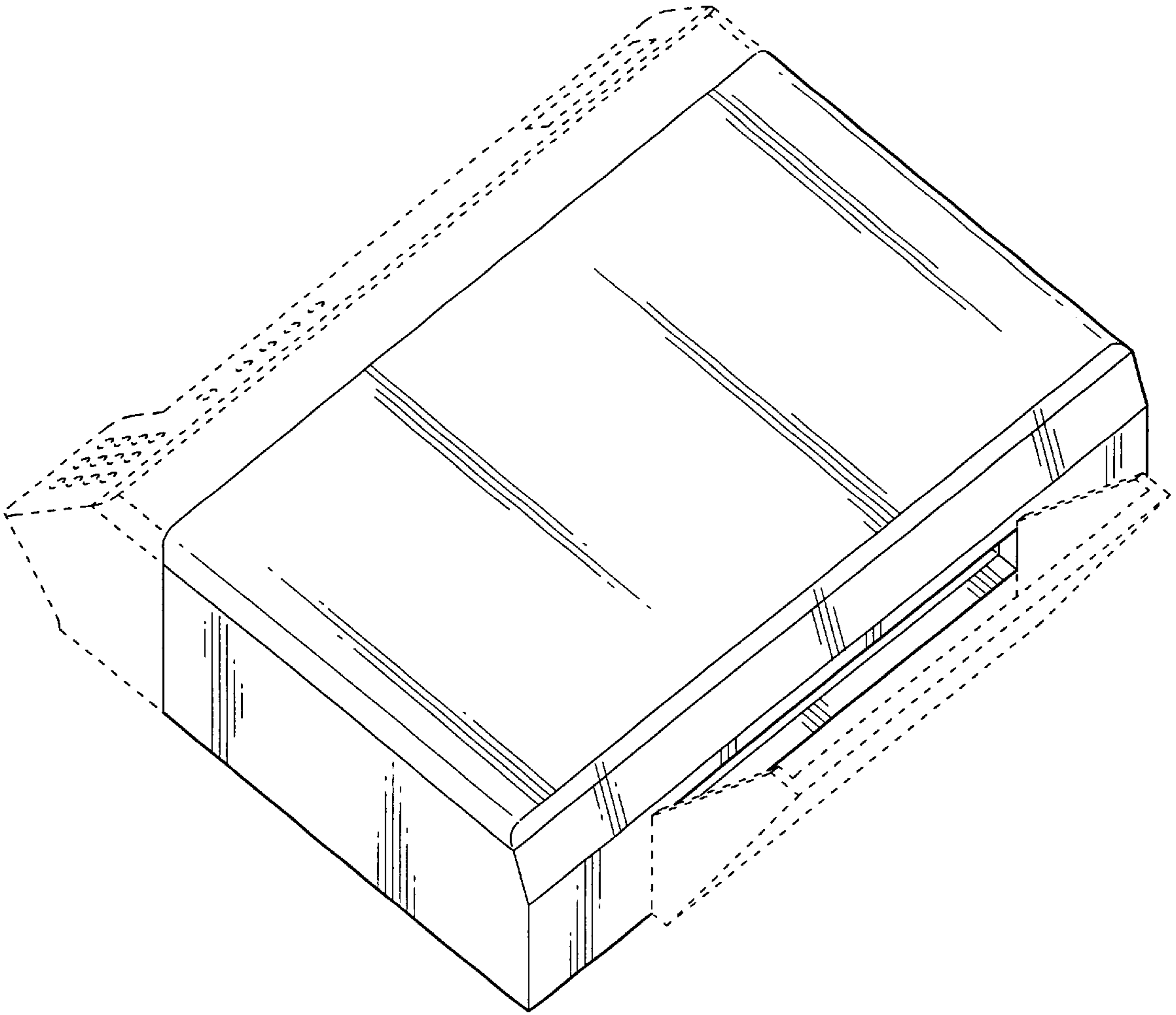


Fig. 2

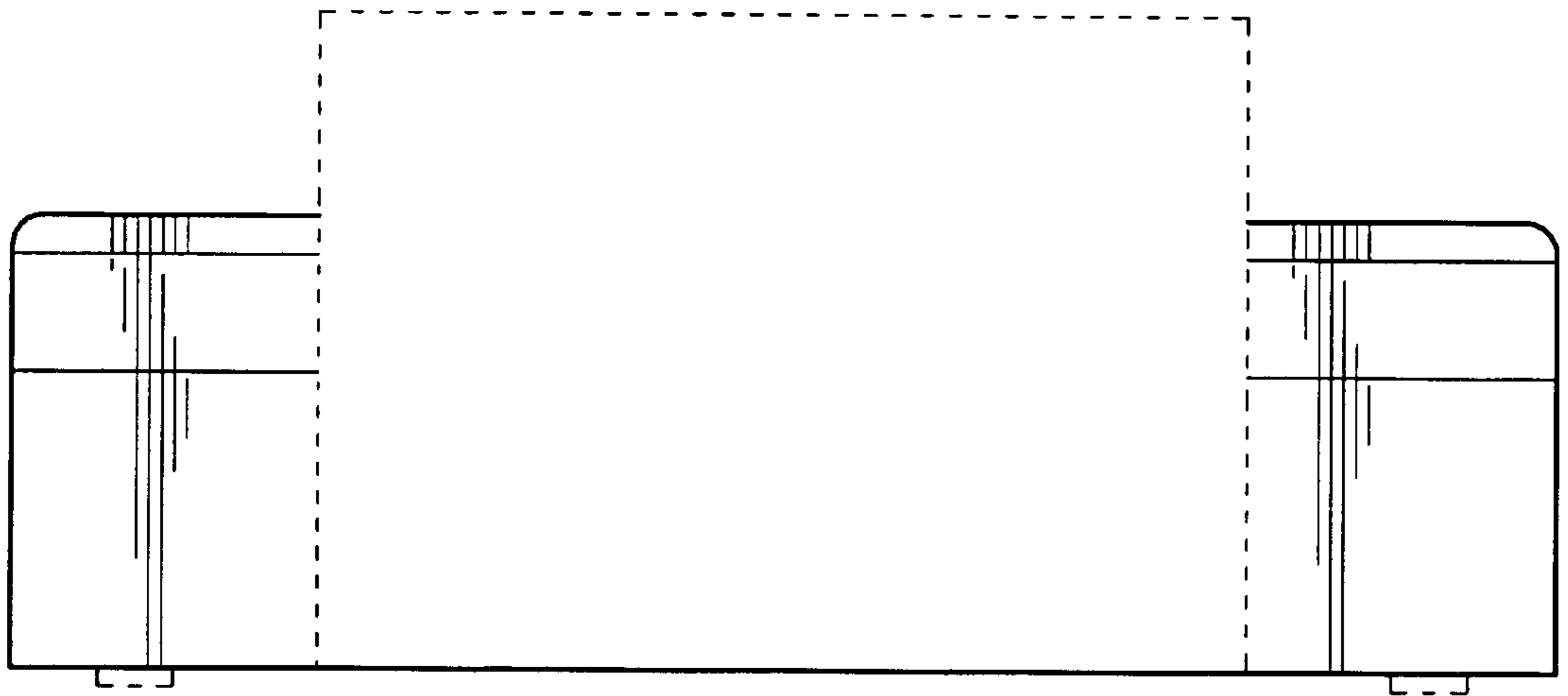


Fig. 3

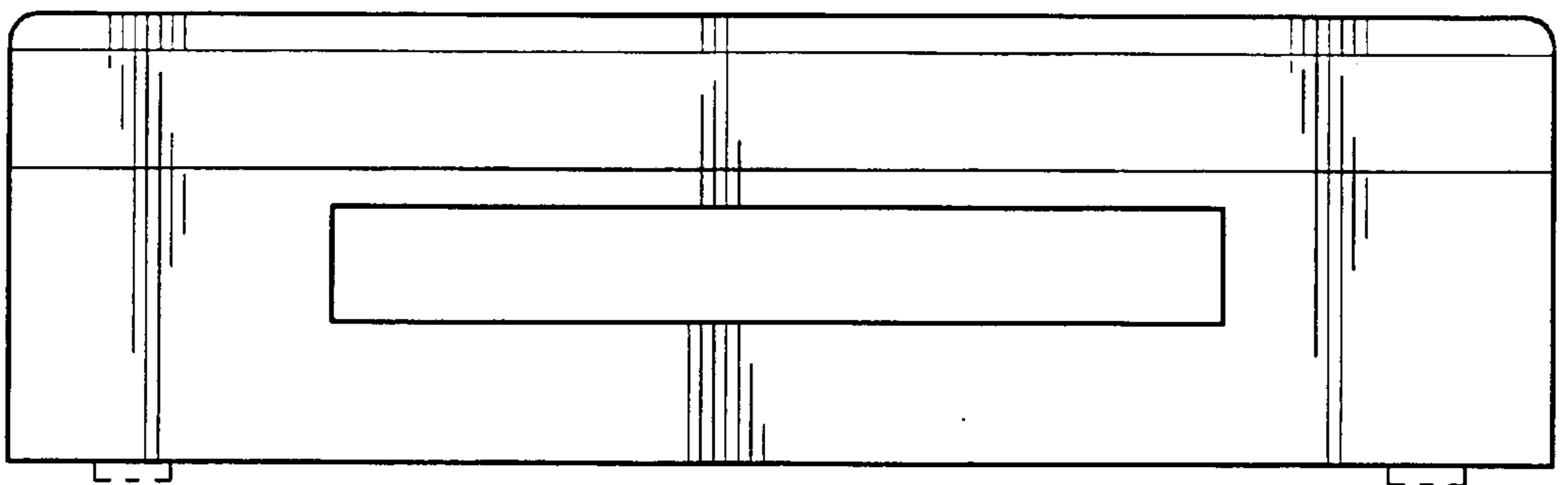


Fig. 4

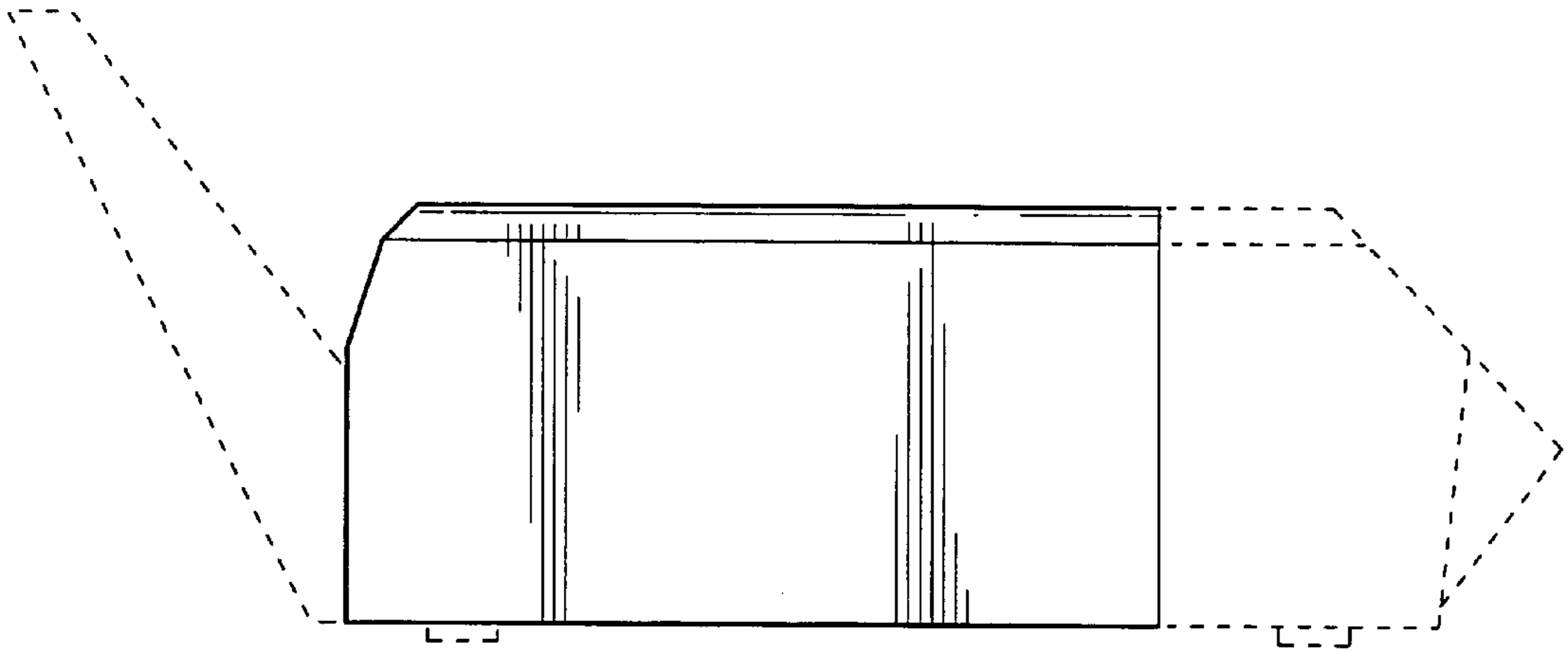


Fig. 5

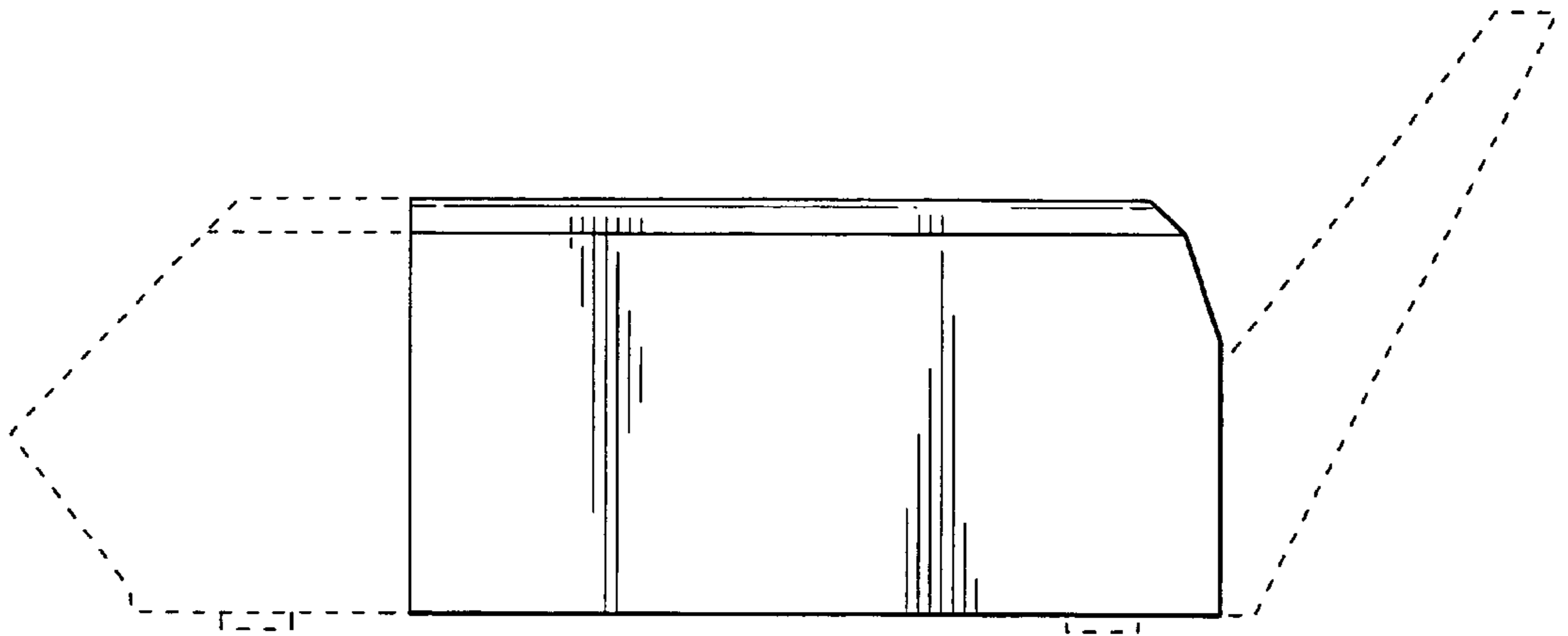


Fig. 6

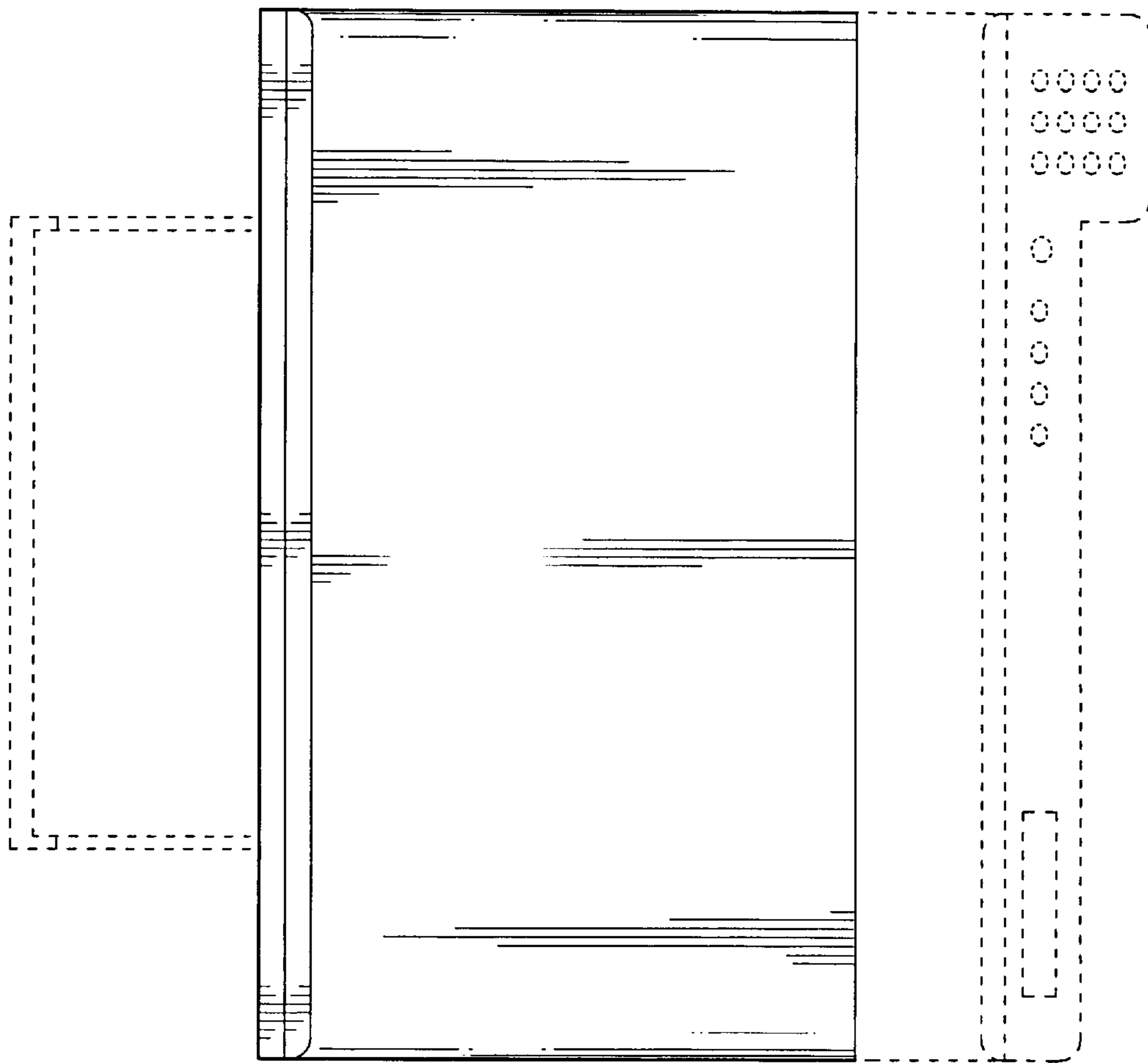


Fig. 7

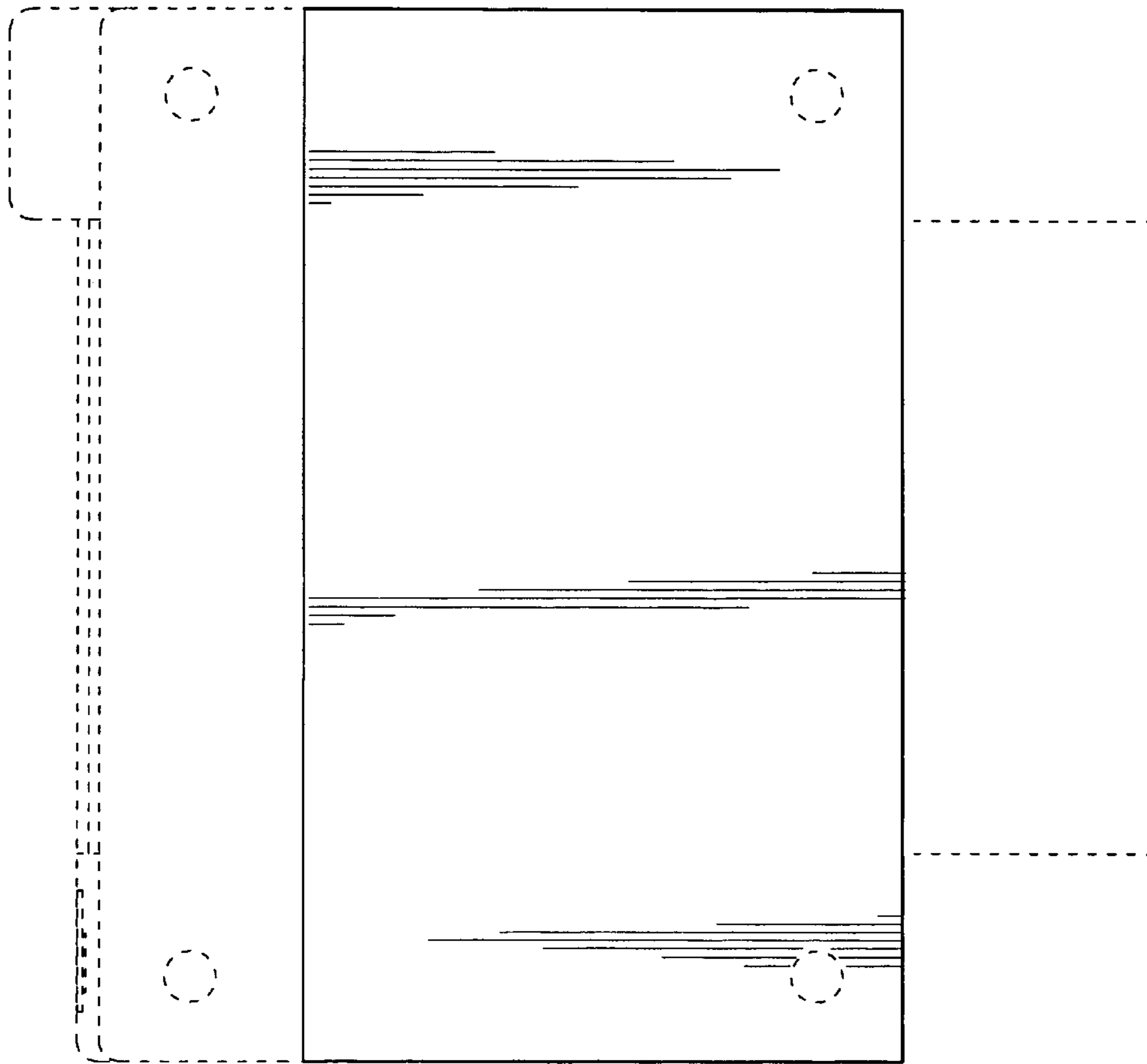


Fig. 8

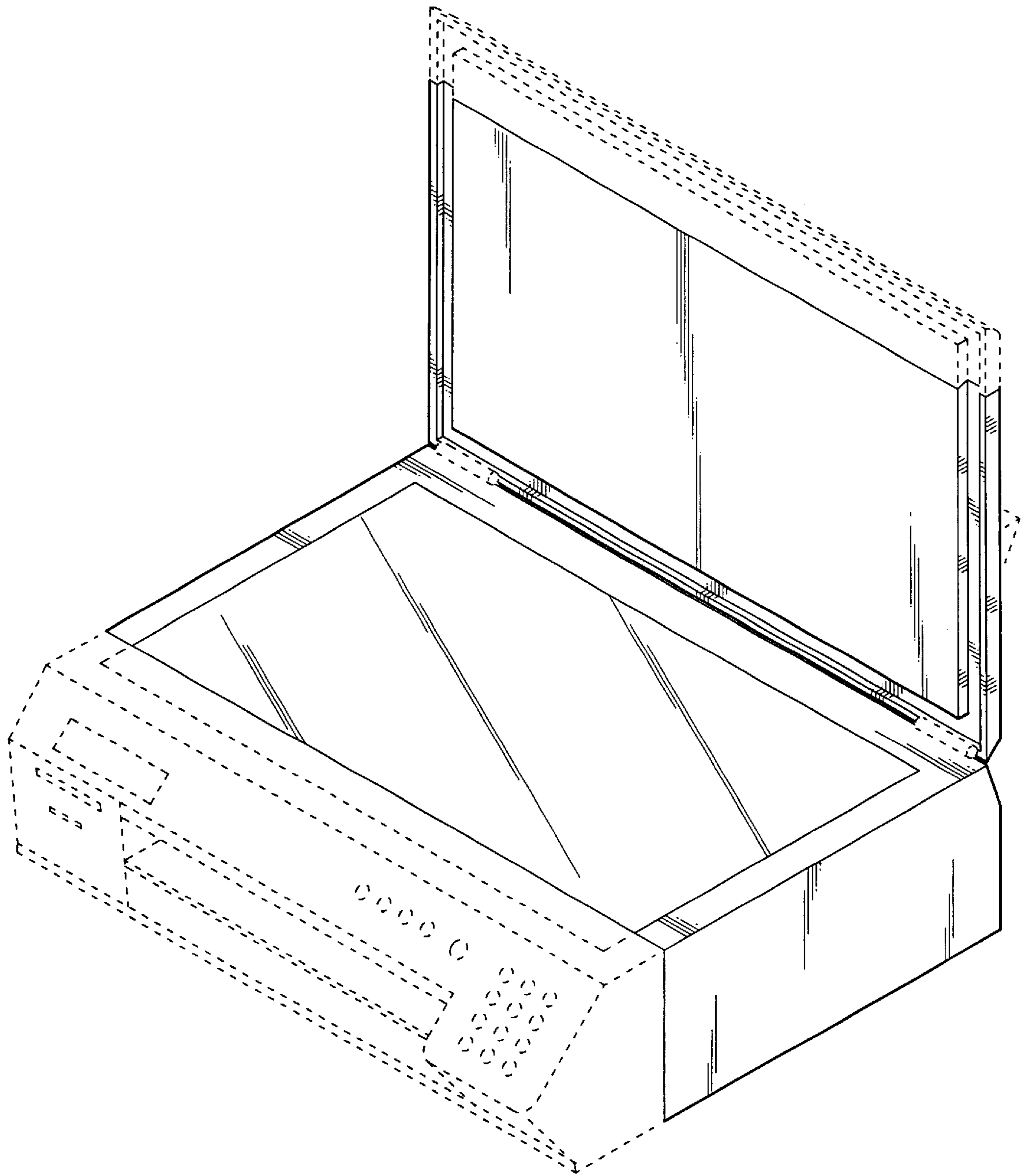


Fig. 9