



US00D483801S

(12) **United States Design Patent**
Hattori

(10) **Patent No.:** **US D483,801 S**

(45) **Date of Patent:** **** Dec. 16, 2003**

(54) **PRINTER WITH COPYING, SCANNING AND FACSIMILE FUNCTIONS**

(75) Inventor: **Mitsuharu Hattori**, Nagoya (JP)

(73) Assignee: **Brother Industries, Limited**, Nagoya (JP)

(**) Term: **14 Years**

(21) Appl. No.: **29/163,434**

(22) Filed: **Jul. 8, 2002**

(30) **Foreign Application Priority Data**

Jan. 7, 2002 (JP) 2002-000081

(51) **LOC (7) Cl.** **14-02**

(52) **U.S. Cl.** **D18/50**

(58) **Field of Search** D14/420-430,
D14/462-470; D18/19, 36-39, 50, 53, 54-55;
400/613, 613.1-613.4, 691-694, 690.1-690.4,
625

(56) **References Cited**

U.S. PATENT DOCUMENTS

D285,566 S * 9/1986 Hayashi D18/54
D287,497 S * 12/1986 Goodner et al. D18/55
D315,338 S * 3/1991 Yoshihara D14/464
D348,899 S * 7/1994 Masujima et al. D18/55

D358,603 S * 5/1995 Dodge et al. D18/55
D358,825 S * 5/1995 Kuhns D18/50
D358,826 S * 5/1995 Kuhns D18/50
D398,632 S * 9/1998 Dodge et al. D18/36

* cited by examiner

Primary Examiner—Cathy Anne MacCormac

(74) *Attorney, Agent, or Firm*—Oliff & Berridge, PLC

(57) **CLAIM**

The ornamental design for a printer with copying, scanning and facsimile functions, as shown and described.

DESCRIPTION

FIG. 1 is a perspective view of a printer with copying, scanning and facsimile functions with the lid in a closed position;

FIG. 2 is a front view thereof;

FIG. 3 is a left side view thereof;

FIG. 4 is a right side view thereof;

FIG. 5 is a top view thereof;

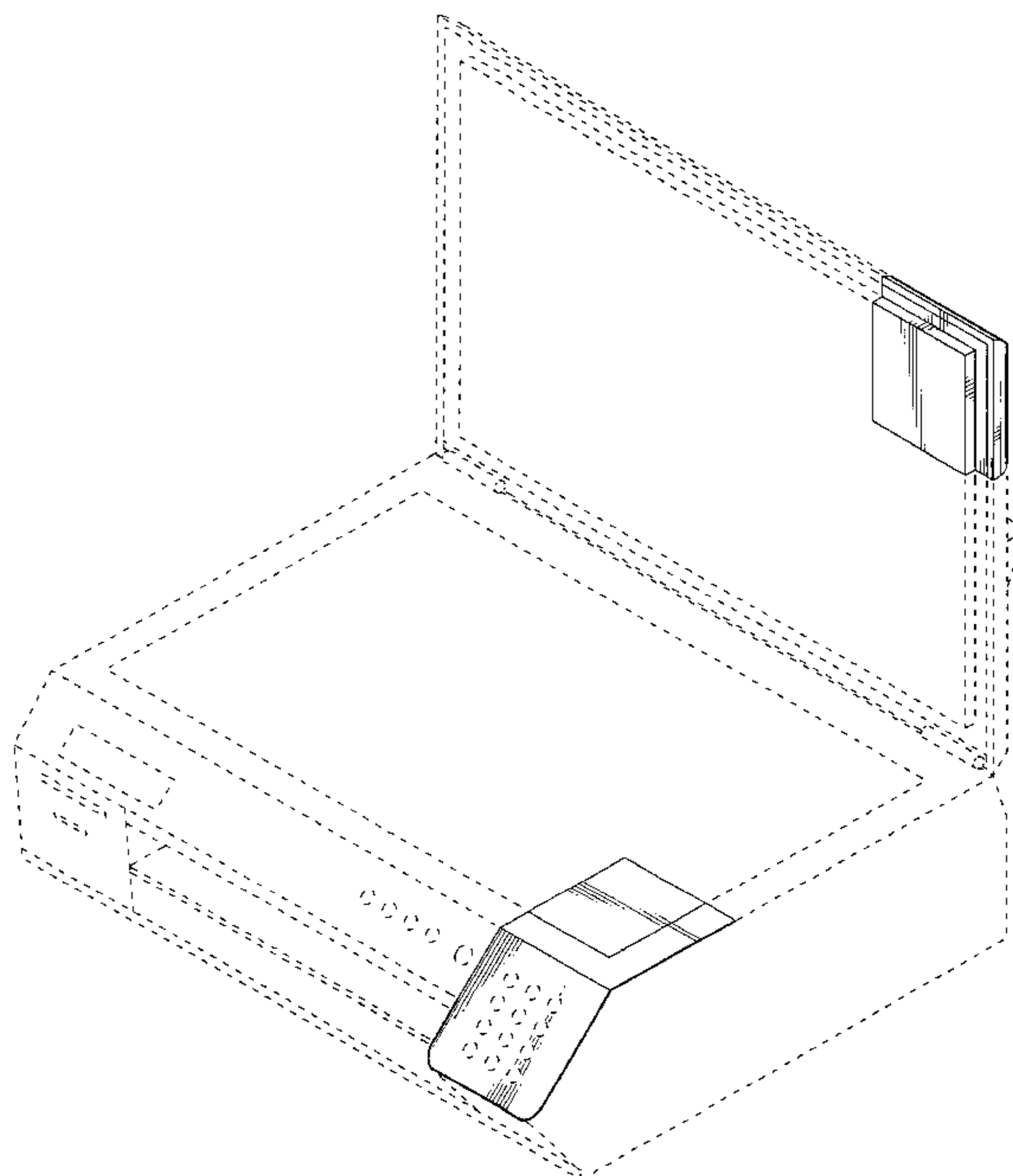
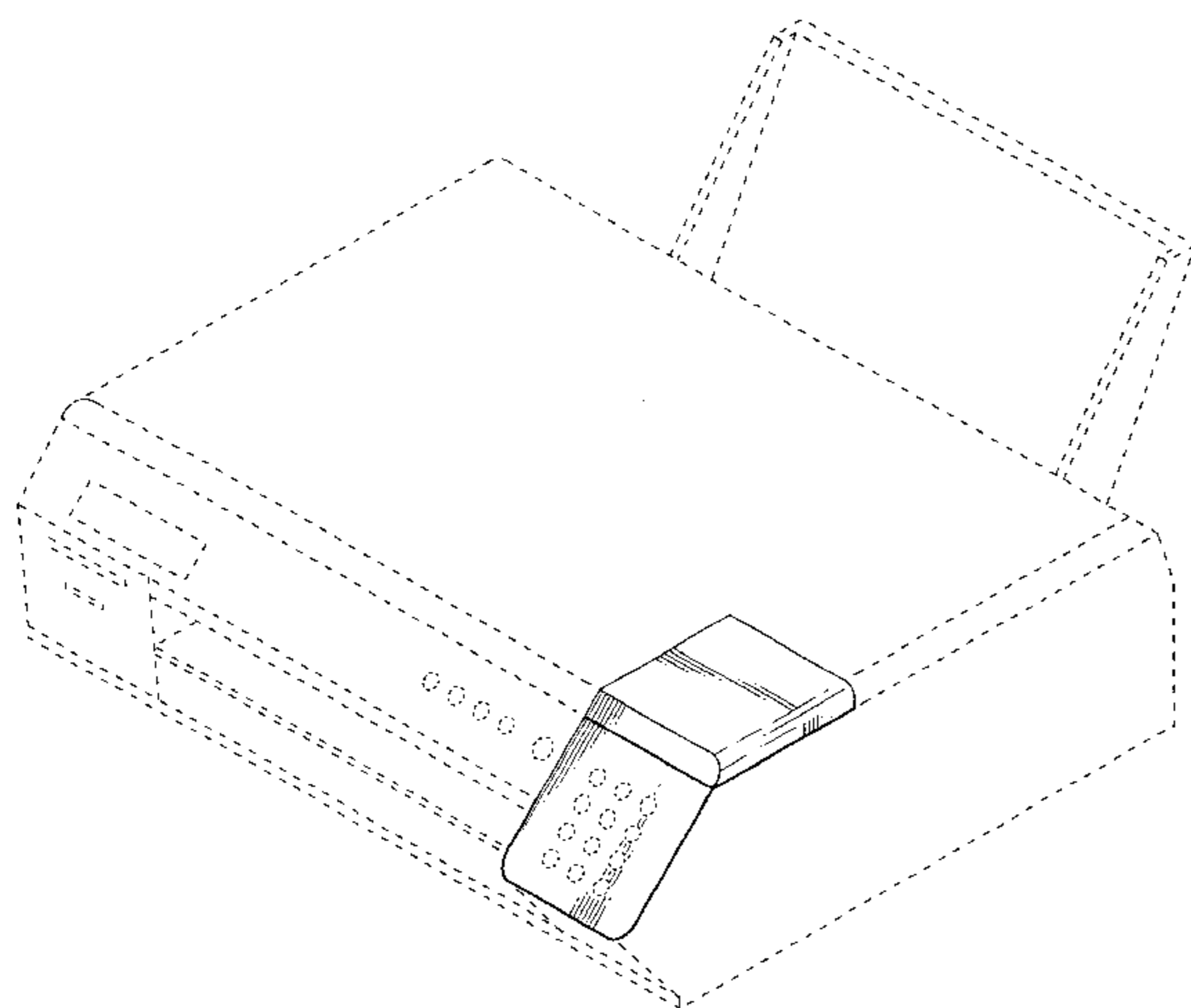
FIG. 6 is a bottom view thereof; and,

FIG. 7 is another rear perspective view thereof with the lid in an open position.

The rear view contains no ornamentality and is omitted.

The broken lines are for purposes of illustration only and form no part of the claimed design.

1 Claim, 5 Drawing Sheets



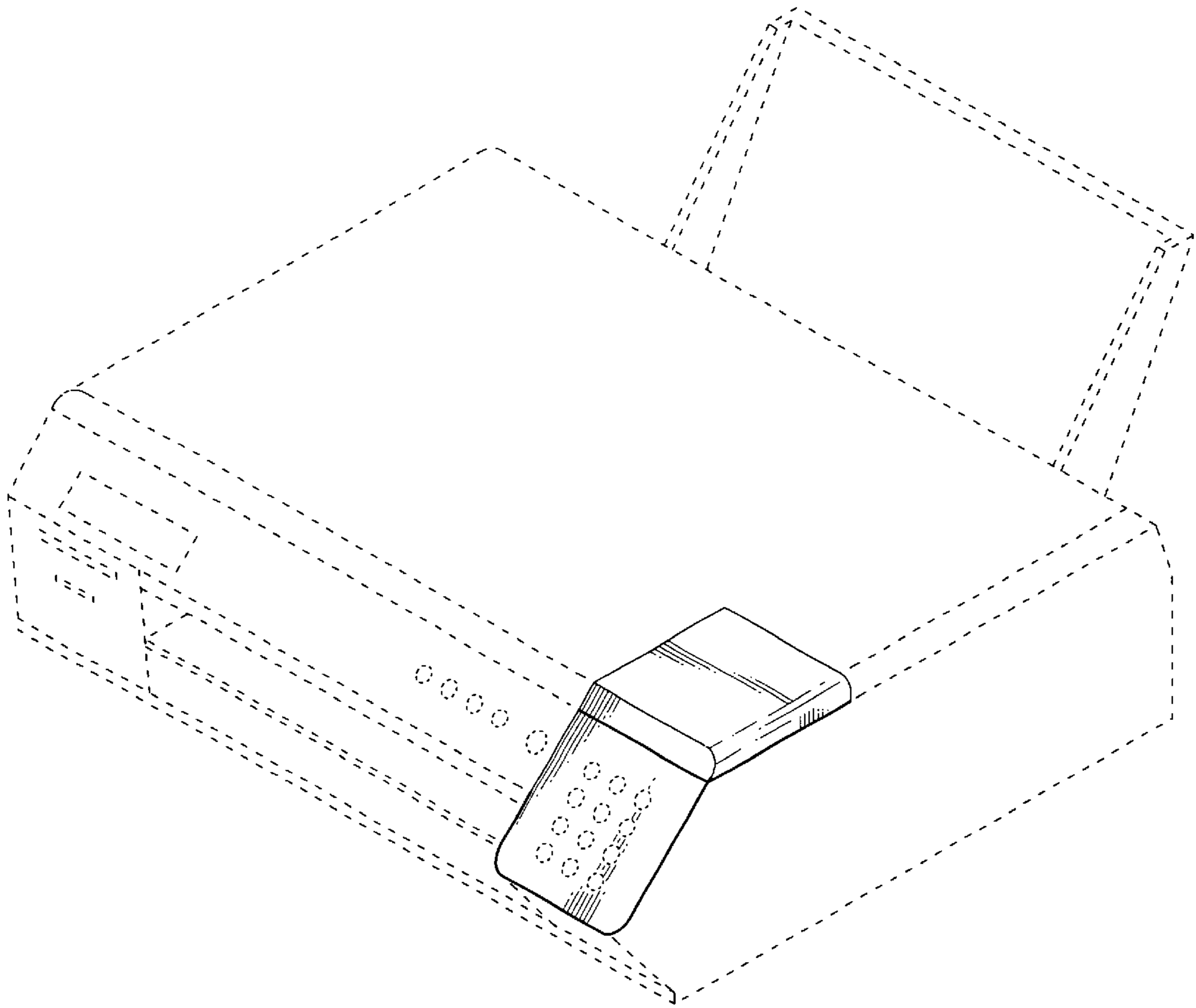


Fig. 1

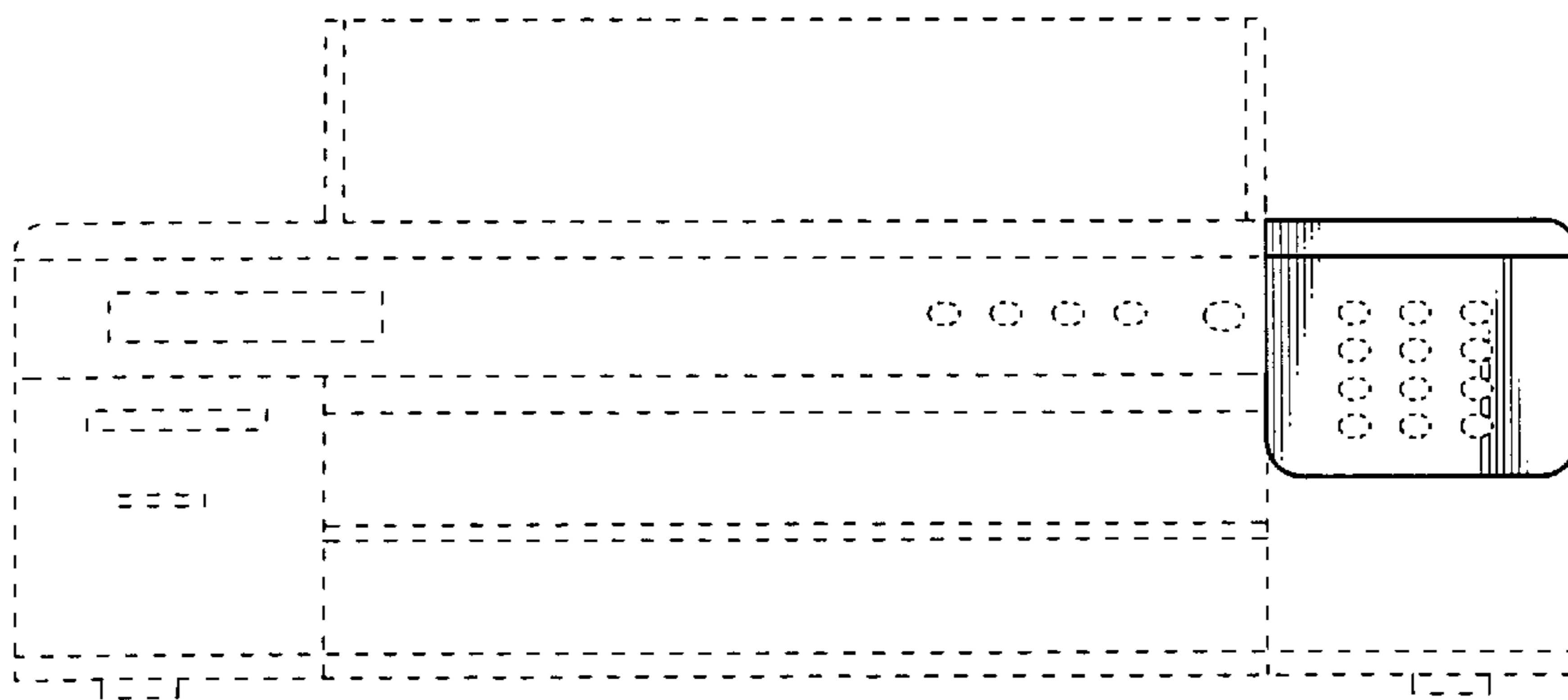


Fig. 2

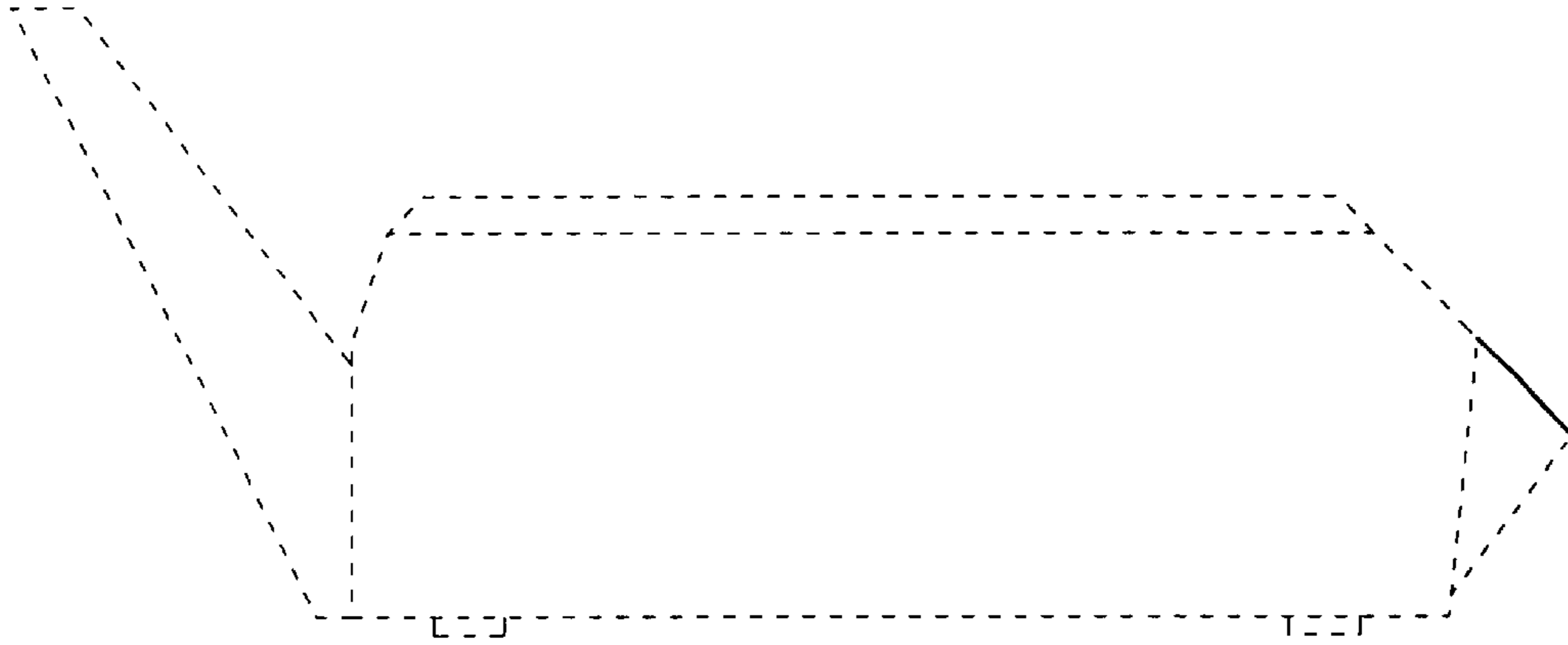


Fig. 3

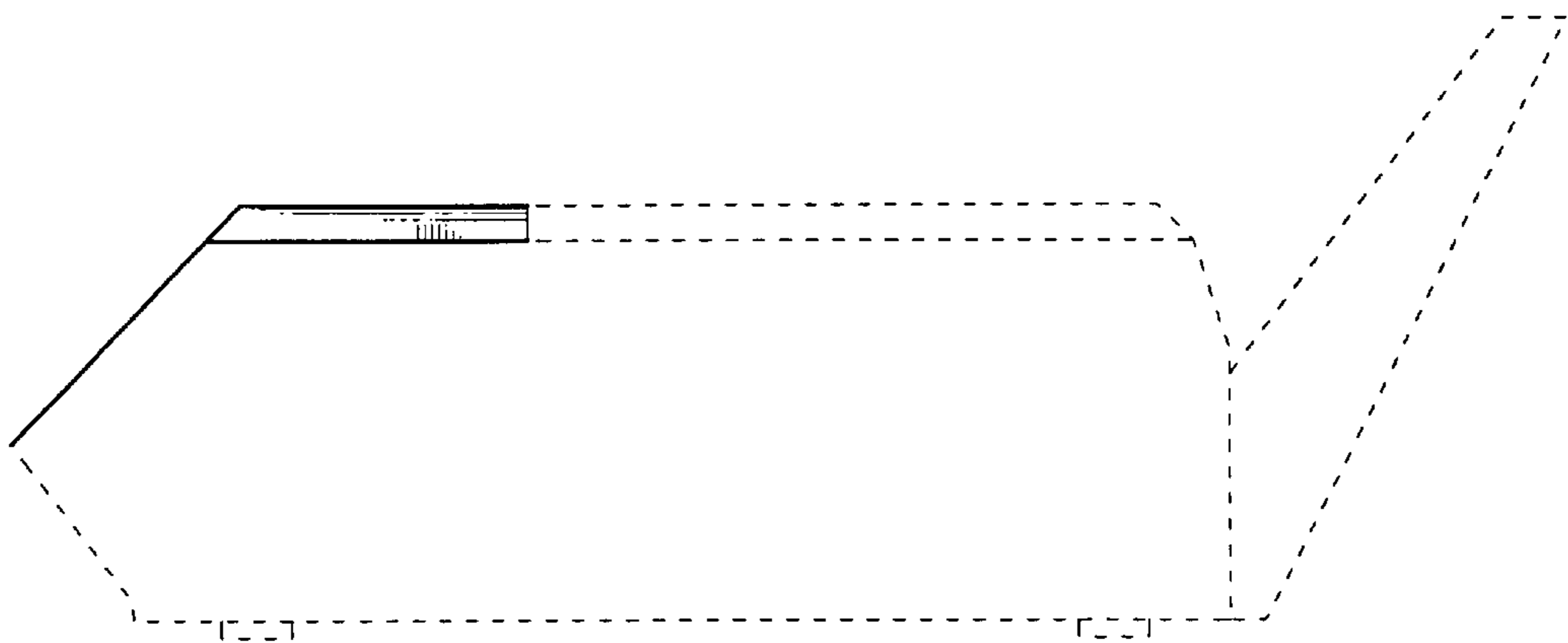


Fig. 4

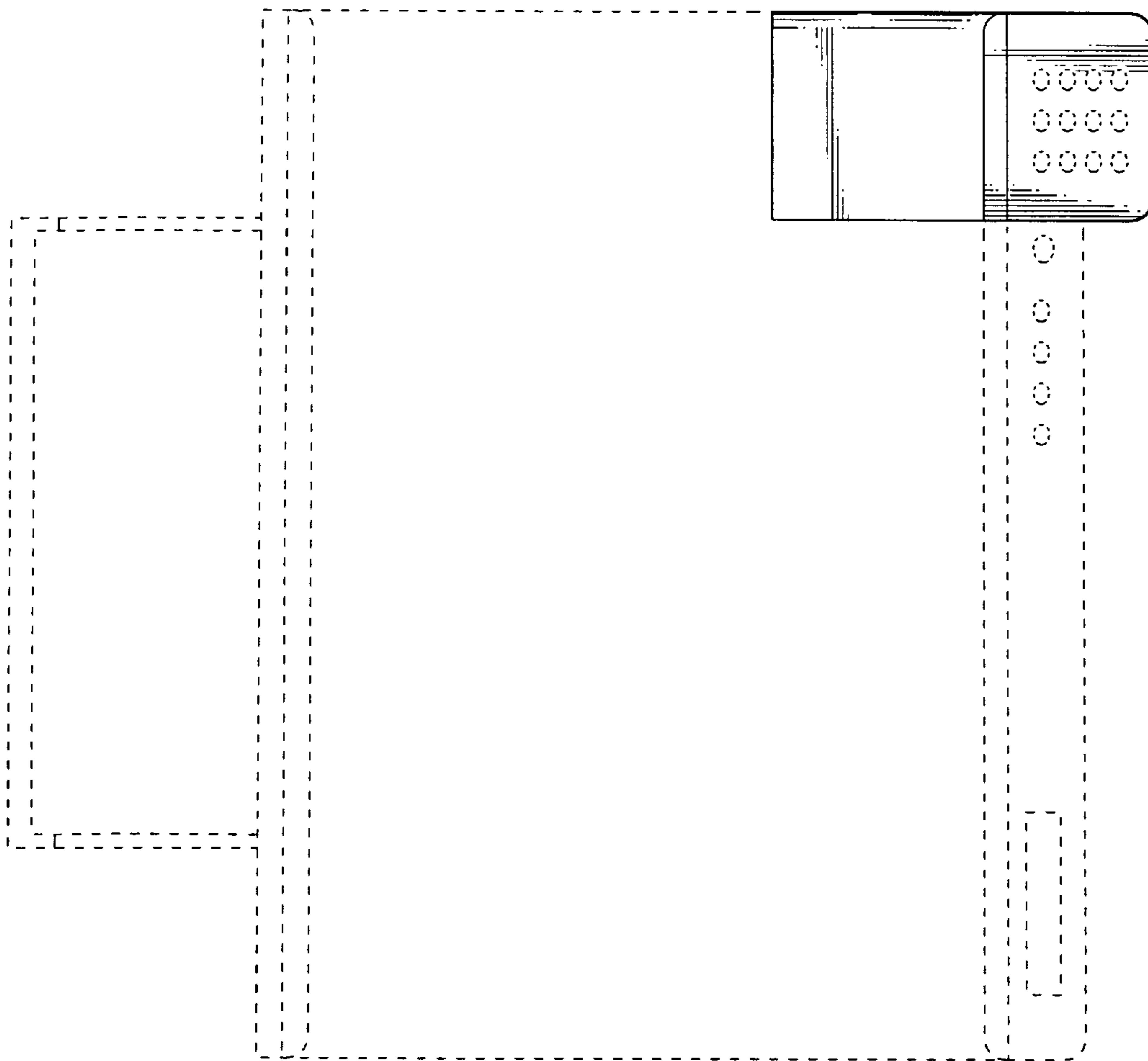


Fig. 5

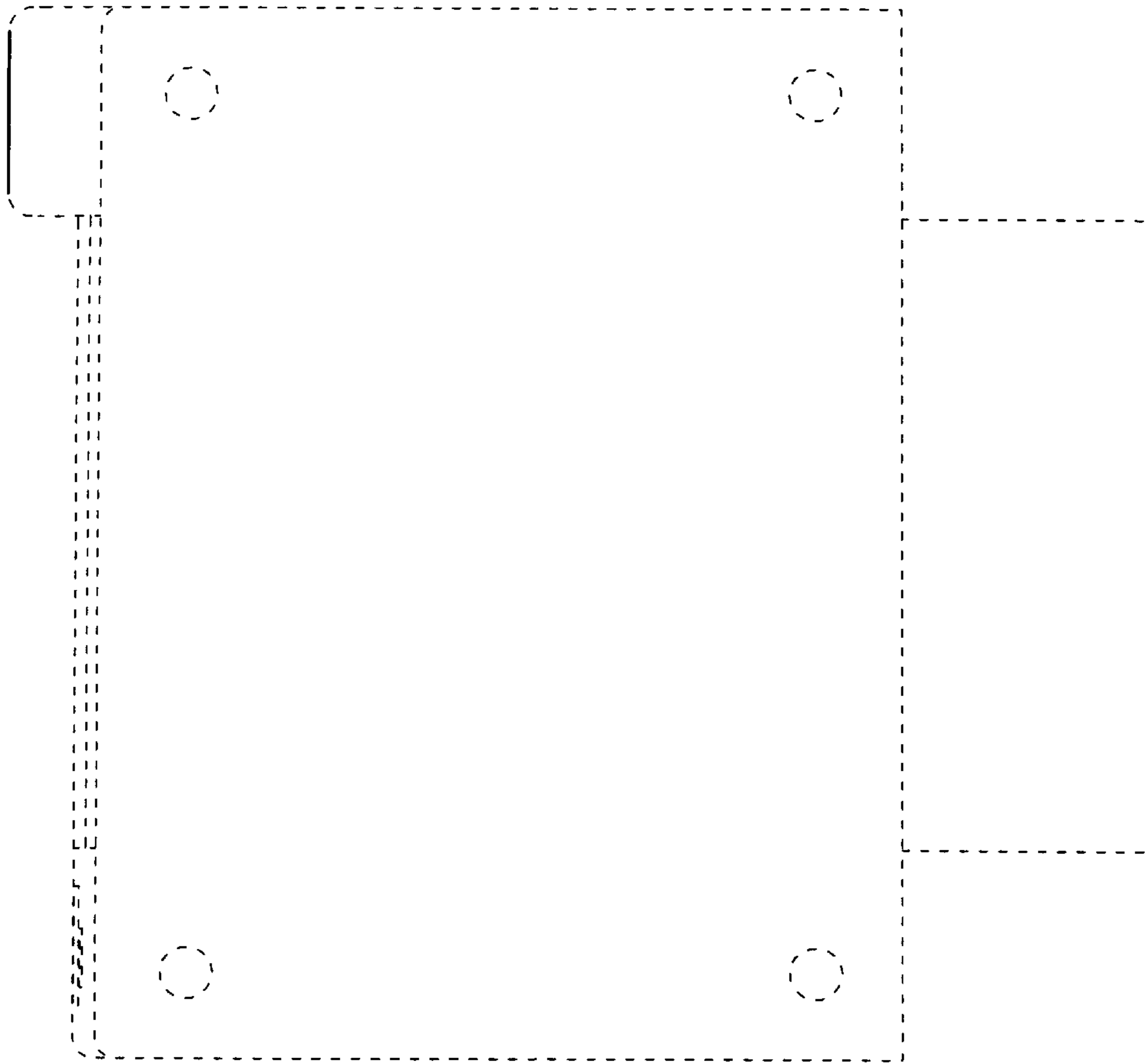


Fig. 6

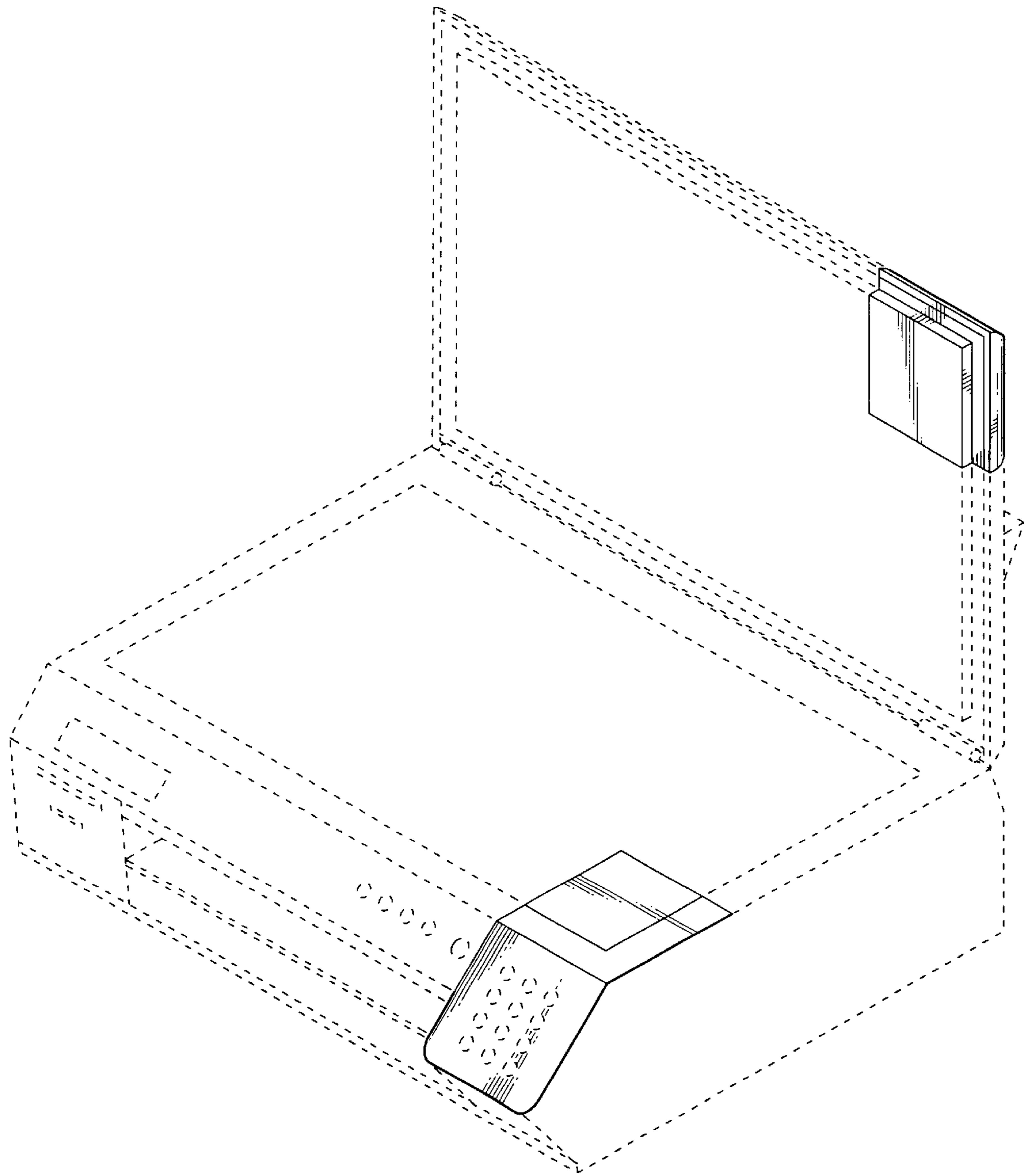


Fig. 7