



US00D483800S

(12) **United States Design Patent**  
**Penke et al.**

(10) **Patent No.:** **US D483,800 S**

(45) **Date of Patent:** **\*\* Dec. 16, 2003**

(54) **CONTROL PANEL LEAD-IN SURROUNDING FOR AN OFFICE MACHINE**

(75) Inventors: **Mark S. Penke**, West Henrietta, NY (US); **Kenneth J. Rieck**, Victor, NY (US); **William Theodore Clark, III**, Pittsford, NY (US); **Donald A. Brown**, Honeoye Falls, NY (US); **David M. Parsons**, Victor, NY (US); **Shu Watanabe**, Yokohama (JP); **Hidetoshi Kimura**, Yokohama (JP); **Hiroshi Nakada**, Yokohama (JP)

(73) Assignee: **Xerox Corporation**, Stamford, CT (US)

(\*\*) Term: **14 Years**

(21) Appl. No.: **29/176,204**

(22) Filed: **Feb. 14, 2003**

(51) **LOC (7) Cl.** ..... **16-03**

(52) **U.S. Cl.** ..... **D18/41**

(58) **Field of Search** ..... D18/36-49, 50-56; 355/18, 19, 78, 97; 399/1-7, 75, 81, 107, 151, 381-393, 405, 411; D14/462-471, 217, 257

(56) **References Cited**

**U.S. PATENT DOCUMENTS**

D312,653 S \* 12/1990 Nakamura et al. .... D18/37

D336,104 S \* 6/1993 Hiroki et al. .... D18/39  
D386,517 S \* 11/1997 Takahashi et al. .... D18/39  
D404,418 S \* 1/1999 Takeuchi ..... D18/39  
D415,160 S \* 10/1999 Renk ..... D14/218  
D415,787 S \* 10/1999 Clark, III et al. .... D18/36  
D436,369 S \* 1/2001 Sasaki et al. .... D18/39  
D462,985 S \* 9/2002 Katayama ..... D18/41

\* cited by examiner

*Primary Examiner*—Caron D. Veynar  
(74) *Attorney, Agent, or Firm*—Tallam Nguti

(57) **CLAIM**

The ornamental design for a control panel lead-in surrounding for an office machine, as shown and described.

**DESCRIPTION**

FIG. 1 is a perspective view of control panel lead-in surrounding for an office machine showing the design of the present invention;

FIG. 2 is a front view thereof;

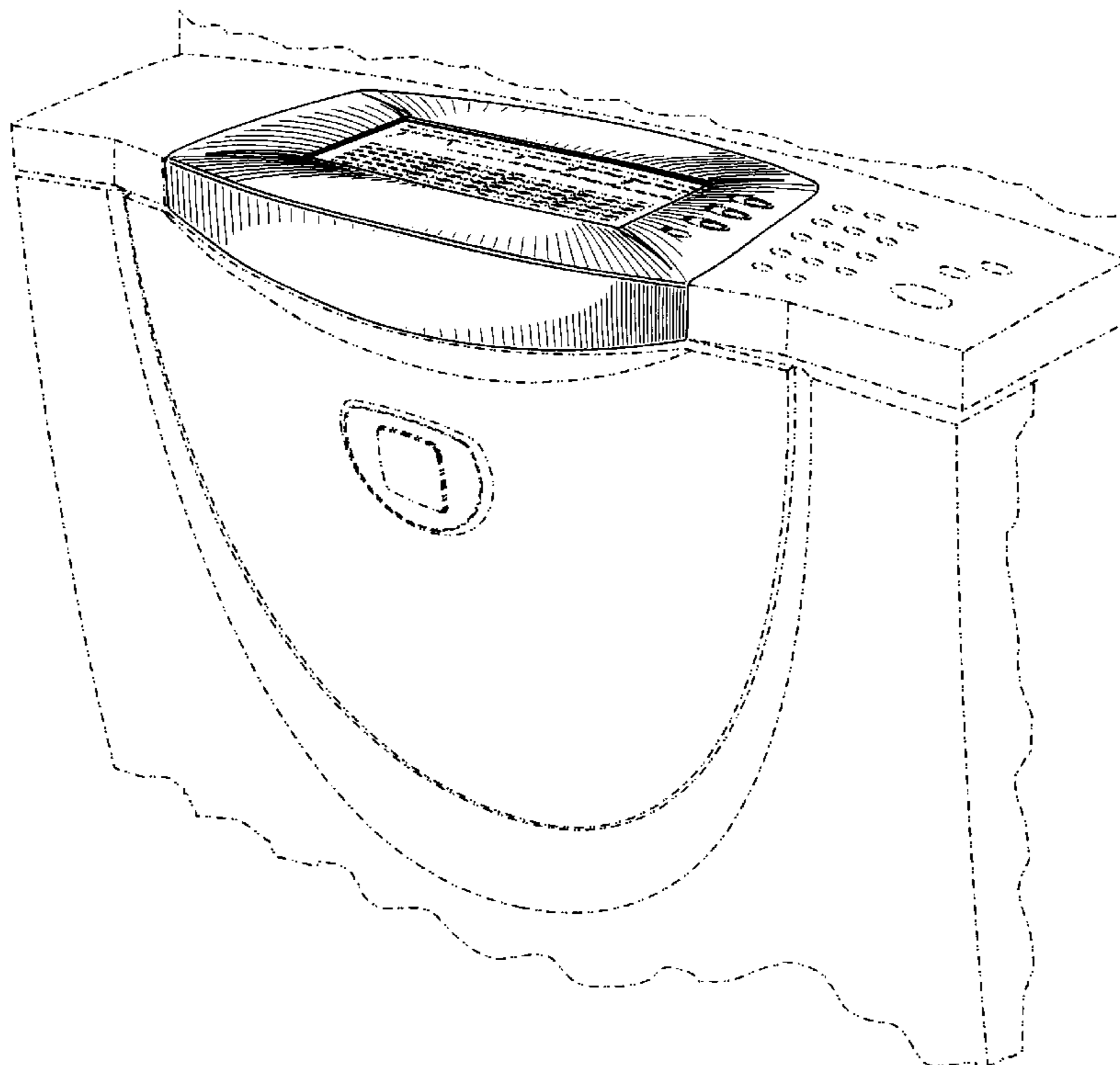
FIG. 3 is a right side view thereof;

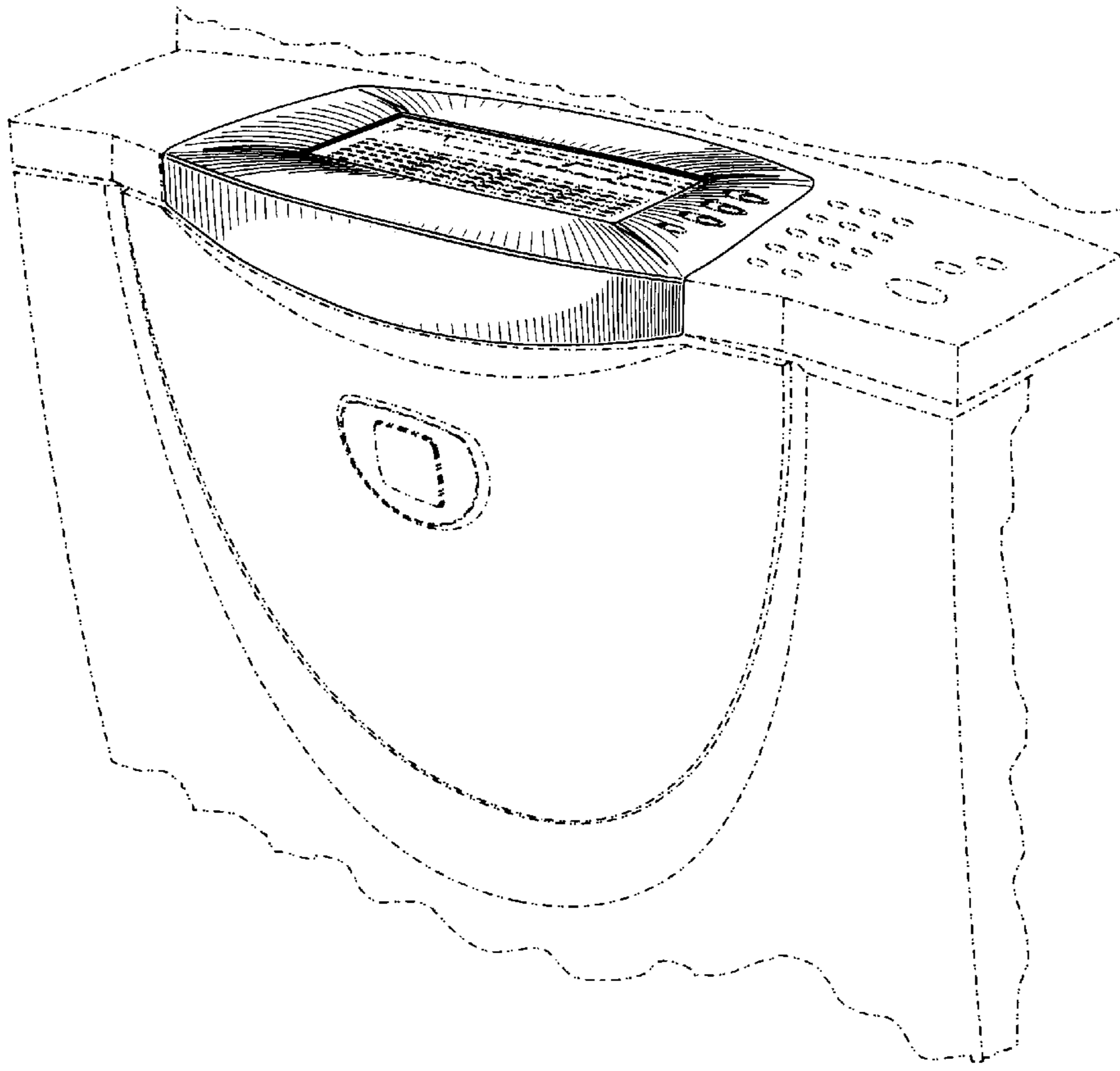
FIG. 4 is a left side view thereof; and,

FIG. 5 is a top plan view thereof.

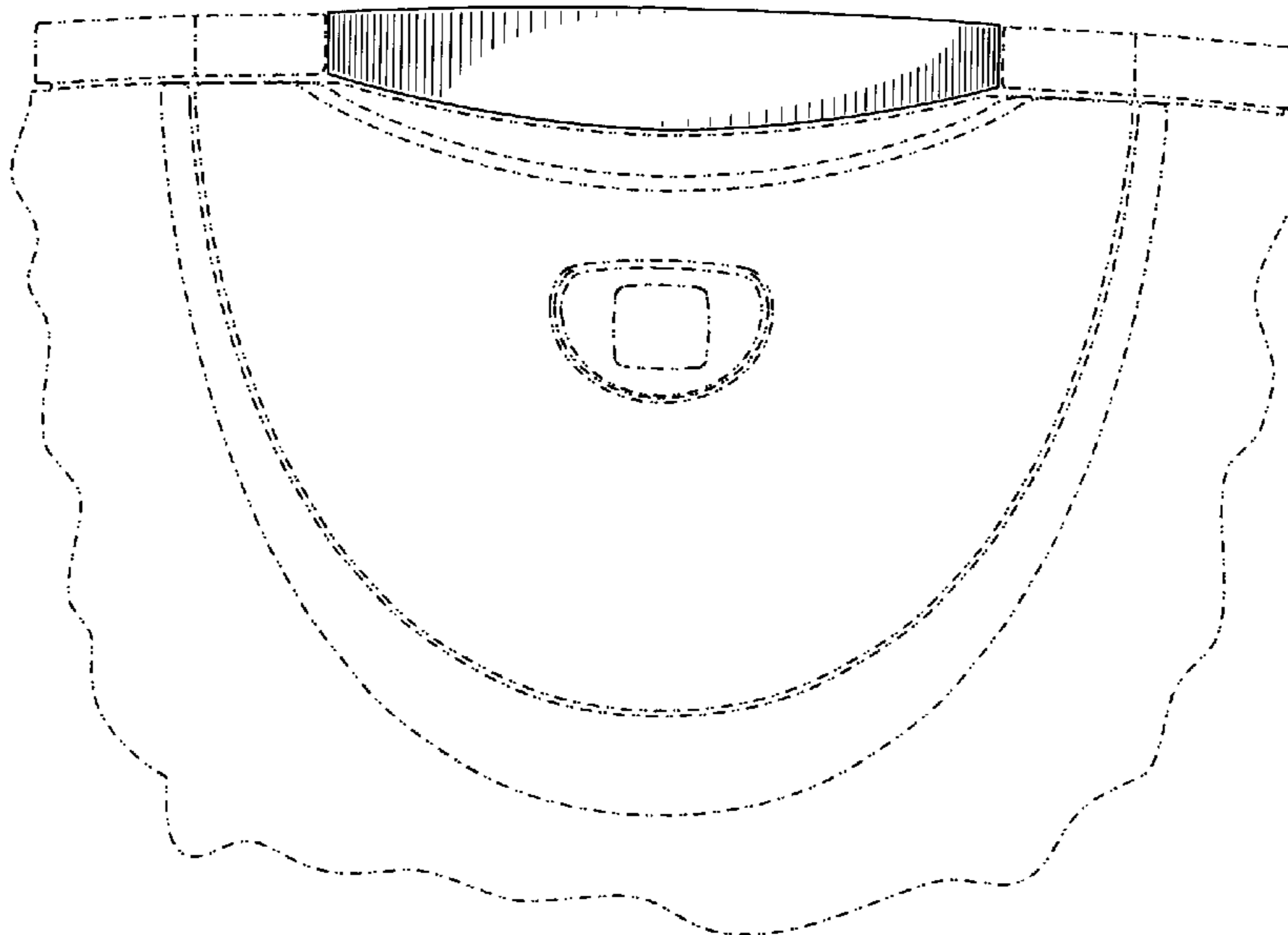
The broken lines showing in FIGS. 1-5 are for illustrative purposes only and do not form part of the claimed design.

**1 Claim, 3 Drawing Sheets**

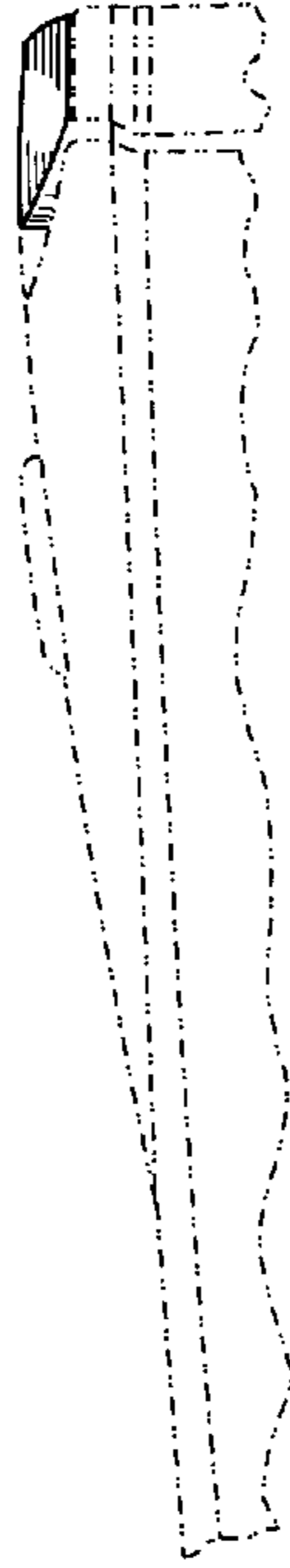




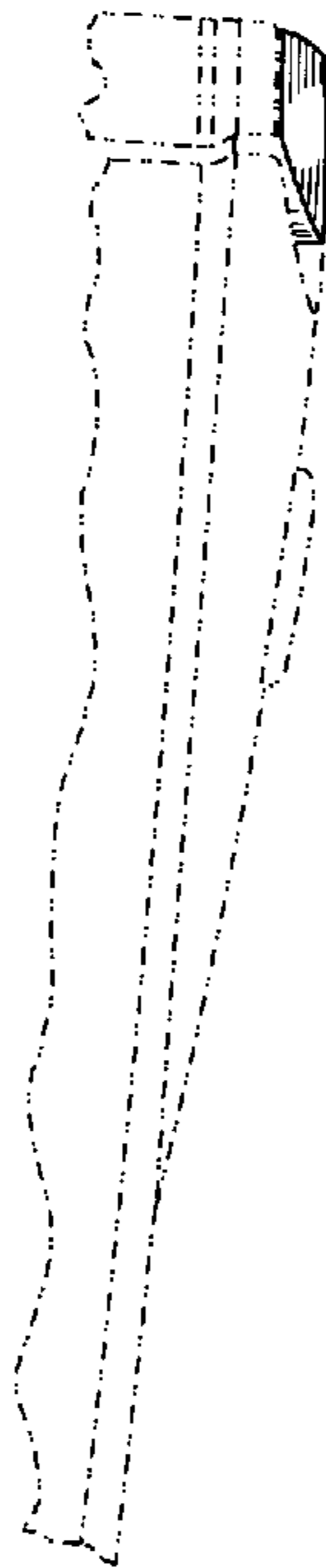
**FIG. 1**



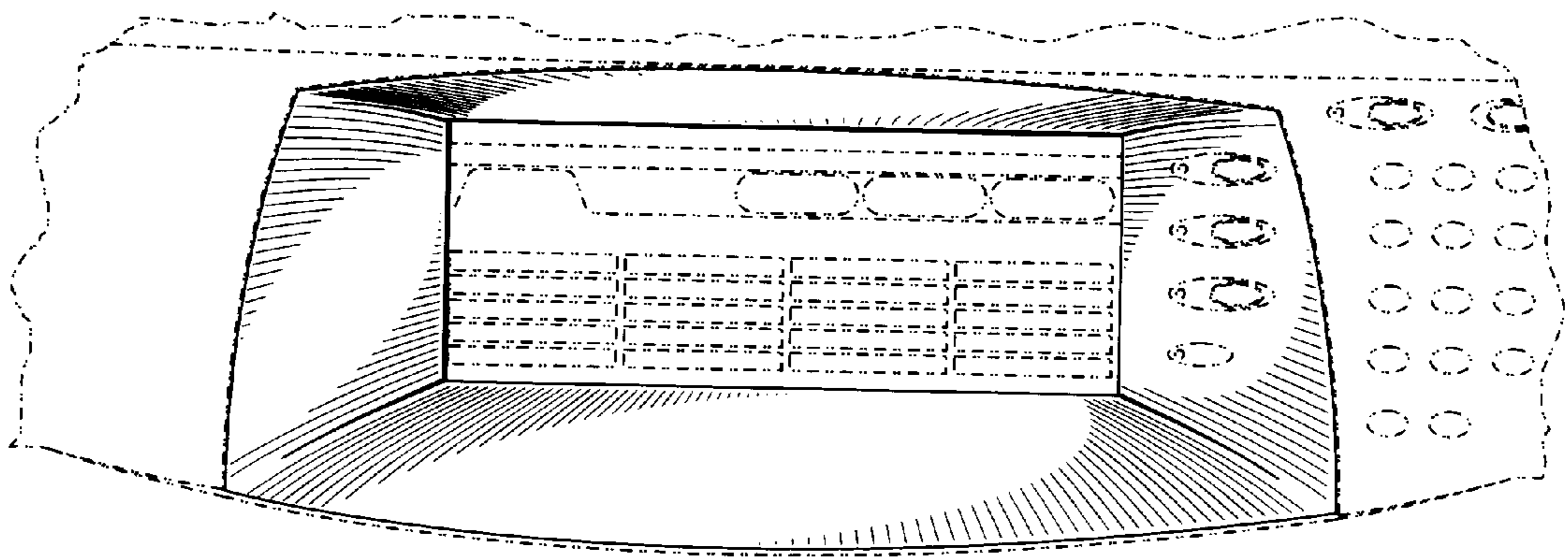
**FIG. 2**



**FIG. 3**



**FIG. 4**



**FIG. 5**